



DEPARTMENT OF REGULATORY AND ECONOMIC RESOURCES (RER)
 BOARD AND CODE ADMINISTRATION DIVISION
NOTICE OF ACCEPTANCE (NOA)

Mr. Glass Doors & Windows, Inc.
 7440 N. W. 66 Street
 Miami, FL. 33166

SCOPE:

This NOA is being issued under the applicable rules and regulations governing the use of construction materials. The documentation submitted has been reviewed and accepted by Miami-Dade County PERA -Product Control Section to be used in Miami Dade County and other areas where allowed by the Authority Having Jurisdiction (AHJ). This NOA shall not be valid after the expiration date stated below. The Miami-Dade County Product Control Section (In Miami Dade County) and/or the AHJ (in areas other than Miami Dade County) reserve the right to have this product or material tested for quality assurance purposes. If this product or material fails to perform in the accepted manner, the manufacturer will incur the expense of such testing and the AHJ may immediately revoke, modify, or suspend the use of such product or material within their jurisdiction. PERA reserves the right to revoke this acceptance, if it is determined by Miami-Dade County Product Control Section that this product or material fails to meet the requirements of the applicable building code.

This product is approved as described herein, and has been designed to comply with the Florida Building Code, including the High Velocity Hurricane Zone.

DESCRIPTION: Series "MG-500" Aluminum Outswing French Door w/ wo Transom-L.M.I.

APPROVAL DOCUMENT: Drawing No. **W11-40 Rev D**, titled "Series MG-500 Alum Outswing French Door (L.M.I.)", sheets 1 through 18 of 18, dated 07-15-11 and last revised on JUL 27, 2018, prepared by AL-Farooq Corporation, signed and sealed by Javad Ahmad, P.E., bearing the Miami-Dade County Product Control Revision stamp with the Notice of Acceptance number and expiration date by the Miami-Dade County Product Control Section.

MISSILE IMPACT RATING: Large Missile Impact Resistant

Limitations:

1. See sheets **2** thru **6** for Design Pressure charts for Single and/or Double door w/wo transom, glass, threshold type, lock type, hinges type and head, sill and jambs anchors. Lower Design Pressure shall apply to the entire assembly.
2. The Single Door w/ Transom is limited to Max. Design Pressure $DP = \pm 90 \text{ PSF}$ & Saddle threshold = $\pm 80 \text{ PSF}$.
3. Only Single Door w/ High Threshold option item **E-2B** (part # ES-9026) is rated for external Positive **+120 PSF**, Water Resistant Rating, all other thresholds are **not** rated for water Resistant Ratings (See sheets **8** & **9**).
4. When doors are mulled to ES 8000 or 9500 series separate Storefront System NOA(s), lower design pressure of doors w/wo transom or storefront shall control for entire system, AHJ to review tributary end load and installations.

LABELING: Each unit shall bear a permanent label with the manufacturer's name or logo, city, state and series and following statement: "Miami-Dade County Product Control Approved", unless otherwise noted herein.

RENEWAL of this NOA shall be considered after a renewal application has been filed and there has been no change in the applicable building code negatively affecting the performance of this product.

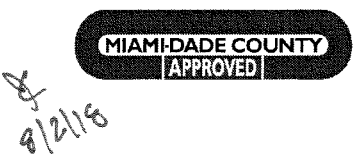
TERMINATION of this NOA will occur after the expiration date or if there has been a revision or change in the materials, use, and/or manufacture of the product or process. Misuse of this NOA as an endorsement of any product, for sales, advertising or any other purposes shall automatically terminate this NOA. Failure to comply with any section of this NOA shall be cause for termination and removal of NOA.

ADVERTISEMENT: The NOA number preceded by the words Miami-Dade County, Florida, and followed by the expiration date may be displayed in advertising literature. If any portion of the NOA is displayed, then it shall be done in its entirety.

INSPECTION: A copy of this entire NOA shall be provided to the user by the manufacturer or its distributors and shall be available for inspection at the job site at the request of the Building Official.

This NOA **revises & renews** NOA # **15-0826.32** and consists of this page 1 and evidence pages E-1, E-2 & E-3, as well as approval document mentioned above.

The submitted documentation was reviewed by **Ishaq I. Chanda, P.E.**



NOTICE OF ACCEPTANCE: EVIDENCE SUBMITTED

1. Evidence submitted in previous files

A. DRAWINGS

1. Manufacturer's die drawings and sections (Submitted under files # below)
2. Drawing No. **W11-40 Rev B**, titled "Series MG-500 Alum. Outswing French Door (L.M.I.)", sheets 1 through 11 of 11, including sheet 3.1, dated 07/15/11 and last revised on 03/16/16, prepared by Al-Farooq Corporation, signed and sealed by Javad Ahmad, P.E.

B. TESTS (Submitted under files #15-0602.09 /#12-0306.07 / #10-0301.03)

1. Test reports on 1) Air Infiltration Test, per FBC, TAS 202-94
 - 2) Uniform Static Air Pressure Test, Loading per FBC TAS 202-94
 - 3) Water Resistance Test, per FBC, TAS 202-94(Not performed)
 - 4) Large Missile Impact Test per FBC, TAS 201-94
 - 5) Cyclic Wind Pressure Loading per FBC, TAS 203-94
 - 6) Forced Entry Test, per FBC 2411 3.2.1, TAS 202-94

Along with marked-up drawings and installation diagram of an Alum. Outswing Entrance Door, prepared by Fenestration Testing Laboratory, Inc., Test Report No. **FTL-5554**, dated 05/10/08, signed and sealed by Carlos S. Rionda, P.E.

2. Test reports on: 1) Uniform Static Air Pressure Test,
 - 2) Large Missile Impact Test per FBC, TAS 201-94
 - 3) Cyclic Wind Pressure Loading per FBC, TAS 203-94

Along with marked-up drawings of an Alum. Outswing Entrance Door, prepared by FTL, Inc., Test Report No. **FTL-5556**, dtd 04/27/08, signed and sealed by Carlos S. Rionda, P.E.

3. Additional Test reports along with marked-up Dwg. of a single (X) aluminum outswing door per TAS 201, 202 (Full) and 203-94, issued by Fenestration Testing lab, Inc., Test Report No. **FTL-5992**, dtd 09/09/09, reissued on 2/2/11 signed & sealed by Marlin D. Brinson, P. E.

C. CALCULATIONS (Submitted under file #15-0602.09)

1. Anchor verification calculations & structural analysis, complying with FBC-2014, prepared by Al-Farooq Corp., dated 05/29/15 and last revised on 03/14/16, signed & sealed by Javad Ahmad, P.E.
2. Glazing complies w/ ASTM E-1300-02 -04 & -09.

D. QUALITY ASSURANCE

1. Miami Dade Department of Regulatory and Economic Resources (RER).

E. MATERIAL CERTIFICATIONS

1. Notice of Acceptance No. **14-0916.11**, issued to E.I. DuPont DeNemours & Co., Inc. for their "DuPont Sentry Glass ® interlayer", expiring on 01/14/17.
2. Notice of Acceptance No. **14-0916.10**, issued to E.I. DuPont DeNemours & Co., Inc. for their "DuPont Butacite PVB, Interlayer", expiring on 12/11/16.

F. STATEMENTS

1. Statement letter of conformance to FBC 2014 (5th edition) and letter of no financial interest, prepared by Al Farooq Corporation, dated 08/06/16, signed and sealed by Javad Ahmad, P.E.
2. Lab compliance as part of the above referenced test report.



Ishaq I. Chanda, P.E.
Product Control Examiner
NOA No. 18-0314.07

Expiration Date: December 24, 2023
Approval Date: August 09, 2018

NOTICE OF ACCEPTANCE: EVIDENCE SUBMITTED

G. OTHER

1. This NOA revises NOA # 13-0820.12, expiring 12/24/18.
2. Private labeling agreement between Mr. Glass Doors & windows Inc. and ES Windows, LLC document in conformance of RER guideline dated 07/19/2011.
3. Distribution agreement ES Windows, LLC and ES Windows-Energia Solar, S.A., dated 10/20/10, signed by Ms. Carla G. Torrente and Andres Chamorro respectively.
4. Test proposals # 07-4070 & 09-0165, approved by BCCO.

2. New Evidence submitted.

A. DRAWINGS

1. Drawing No. **W11-40 Rev D**, titled "Series MG-500 Alum Outswing French Door (L.M.I.)", sheets 1 through 18 of 18, dated 07-15-11 and last revised on JUL 27, 2018, prepared by AL-Farooq Corporation, signed and sealed by Javad Ahmad, P.E.

B. TESTS (Revised) (Submitted under file #18-0319.09)

1. Test reports on
 - 1) Air Infiltration Test, per FBC, TAS 202-94
 - 2) Uniform Static Air Pressure Test, Loading per FBC TAS 202-94
 - 3) Water Resistance Test, per FBC, TAS 202-94(Not performed)
 - 4) Large Missile Impact Test per FBC, TAS 201-94
 - 5) Cyclic Wind Pressure Loading per FBC, TAS 203-94
 - 6) Forced Entry Test, per FBC 2411 3.2.1, TAS 202-94

Along with marked-up drawings and installation diagram of X & XX Alum. Outswing Entrance Door, prepared by Fenestration Testing Laboratory, Inc., Test Report No. **FTL-7242**, dated 05/03/13, signed and sealed by Idalmis Ortega, P.E.

(This test report revised and issued by Fenestration testing on 05/21/18, signed and sealed by Idalmis Ortega, P.E.)

2. Test reports on:
 - 1) Air Infiltration Test, per FBC, TAS 202-94
 - 2) Uniform Static Air Pressure Test, Loading per FBC TAS 202-94
 - 3) Water Resistance Test, per FBC, TAS 202-94(Not performed)
 - 4) Large Missile Impact Test per FBC, TAS 201-94
 - 5) Cyclic Wind Pressure Loading per FBC, TAS 203-94
 - 6) Forced Entry Test, per FBC 2411 3.2.1, TAS 202-94

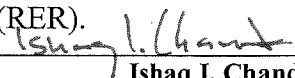
Along with marked-up drawings of X and XX Alum. Outswing Entrance Door, prepared by Blackwater Testing Inc., Test Report No. **BT-ESW-17-020**, dated 06/14/178, signed and sealed by Constantin Bortes, P.E.

C. CALCULATIONS (Submitted under file #18-0319.09)

1. Anchor verification calculations & structural analysis, complying with FBC 2017 (6th edition), prepared by Al-Farooq Corp., dated 03/16/18 and last revised on 07/27/18, signed & sealed by Javad Ahmad, P.E.

D. QUALITY ASSURANCE

1. Miami Dade Department of Regulatory and Economic Resources (RER).



Ishaq I. Chanda, P.E.
Product Control Examiner
NOA No. 18-0314.07

Expiration Date: December 24, 2023
Approval Date: August 09, 2018

Mr. Glass Doors & Windows, Inc.

NOTICE OF ACCEPTANCE: EVIDENCE SUBMITTED

E. MATERIAL CERTIFICATIONS

1. Notice of Acceptance No. **17-0808.02** issued to Kuraray America, Inc. (former E.I. DuPont DeNemours & Co., Inc.) for the “**Sentry Glass ® Interlayer**”, expiring on 07/4/23.
2. Notice of Acceptance No. **16-117.01** issued to **Kuraray America, Inc.** (Former E.I. DuPont DeNemours & Co., Inc. for the “Kuraray Trofossil Ultra clear and color PVB Interlayer (Former Kuraray **Butacite ® PVB interlayer**)”, expiring on 07/08/19.

F. STATEMENTS

1. Statement letter of conformance to FBC 2017 (6th Edition) and letter of no financial interest, prepared by Al Farooq Corporation, dated 03/12/18, signed and sealed by Javad Ahmad, P.E.
2. Private labeling agreement between Mr. Glass Doors & Windows Inc. and ES Windows, LLC, dated 08/01/18, signed by Ulises Senaris (President) and Ms. Evelyn Daes (MGR) respectively.
3. Distribution agreement between ES Windows, LLC (distributor) and Energia Solar, S.A, (manufacturer, dated 08/01/18, signed by MS. Carla Garcia (MGR) and Ms. Evelyn Deas (MGR) respectively.

G. OTHER

1. This NOA **revises & renews** NOA #**15-0826.32**, expiring on DEC 24, 2024.
2. Test proposal dated 12/20/12 approved by Jaime D. Gascon, P.E.
3. Reference ES windows, LLC file # 18-0319.09



Ishaq I. Chanda, P.E.
Product Control Examiner
NOA No. 18-0314.07

Expiration Date: December 24, 2023
Approval Date: August 09, 2018

SERIES MG500

ALUMINUM OUTSWING ENTRANCE DOOR

SEE SHEET 2 FOR DESIGN LOAD CAPACITY OF SINGLE DOORS WITH OR WITHOUT TRANSOMS.

SEE SHEETS 3 & 4 FOR DESIGN LOAD CAPACITY OF DOUBLE DOORS WITH OR WITHOUT TRANSOMS.

SEE SHEET 5 FOR DESIGN LOAD CAPACITY OF SINGLE AND DOUBLE DOORS WITHOUT TRANSOMS WITH ADDITIONAL OPTIONS.

SEE SHEET 6 FOR DESIGN LOAD CAPACITY OF SINGLE DOORS WITHOUT TRANSOMS WITH HIGHER LOAD CAPACITY.

DOORS CAN ALSO BE USED WITH MR. GLASS SERIES MG5000 OR SERIES 9500 STOREFRONT SYSTEMS UNDER SEPARATE NOA. DOOR MULLION ATTACHMENT, END LOAD AND CAPACITY TO BE REVIEWED BY BUILDING OFFICIAL.

DOUBLE DOORS WITH STANDARD, SADDLE AND HIGH THRESHOLD AND SINGLE DOORS WITH STANDARD AND SADDLE THRESHOLD ARE NOT APPROVED FOR INSTALLATIONS WHERE WATER INFILTRATION RESISTANCE IS REQUIRED. SINGLE DOORS USING ES-9026 (HIGH THRESHOLD OPTION) ARE APPROVED FOR WATER INFILTRATION RESISTANCE. SEE SHEETS 8 & 18 FOR DETAILS.

THIS PRODUCT HAS BEEN DESIGNED AND TESTED TO COMPLY WITH THE REQUIREMENTS OF THE 2017 (6TH EDITION) FLORIDA BUILDING CODE INCLUDING HIGH VELOCITY HURRICANE ZONE (HVHZ).

1BY OR 2BY WOOD BUCKS & BUCK FASTENERS BY OTHERS, MUST BE DESIGNED AND INSTALLED ADEQUATELY TO TRANSFER APPLIED PRODUCT LOADS TO THE BUILDING STRUCTURE.

ANCHORS SHALL BE CORROSION RESISTANT, SPACED AS SHOWN ON DETAILS AND INSTALLED PER MANUF'S INSTRUCTIONS. SPECIFIED EMBEDMENT TO BASE MATERIAL SHALL BE BEYOND WALL DRESSING OR STUCCO.

A LOAD DURATION INCREASE IS USED IN DESIGN OF ANCHORS INTO WOOD ONLY.

ALL SHIMS TO BE HIGH IMPACT, NON-METALLIC AND NON-COMPRESSIBLE.

MATERIALS INCLUDING BUT NOT LIMITED TO STEEL/METAL SCREWS, THAT COME INTO CONTACT WITH OTHER DISSIMILAR MATERIALS SHALL MEET THE REQUIREMENTS OF THE 2017 FLORIDA BLDG. CODE & ADOPTED STANDARDS.

THIS PRODUCT APPROVAL IS GENERIC AND DOES NOT PROVIDE INFORMATION FOR A SITE SPECIFIC PROJECT, i.e. LIFE SAFETY OF THIS PRODUCT, ADEQUACY OF STRUCTURE RECEIVING THIS PRODUCT AND SEALING AROUND OPENING FOR WATER INFILTRATION RESISTANCE ETC. CONDITIONS NOT SHOWN IN THIS DRAWING ARE TO BE ANALYZED SEPARATELY, AND TO BE REVIEWED BY BUILDING OFFICIAL.

GLASS D.L.O. DIMS.

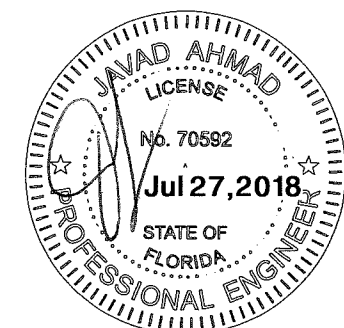
D.L.O. HEIGHT (DOOR) = FRAME HEIGHT - 15.250" (STD. THRESHOLD)
D.L.O. HEIGHT (DOOR) = FRAME HEIGHT - 15.625" (SADDLE THRESHOLD)
D.L.O. HEIGHT (DOOR) = FRAME HEIGHT - 15.750" (HIGH THRESHOLD)
D.L.O. WIDTH (DOOR) = FRAME WIDTH - 14.0625"

D.L.O. HEIGHT (TRANSOM) = FRAME HEIGHT - 5.125"
D.L.O. WIDTH (TRANSOM) = FRAME WIDTH - 7"

LEAF HEIGHT = FRAME HEIGHT - 2.938" (STD. THRESHOLD)
LEAF HEIGHT = FRAME HEIGHT - 2.563" (SADDLE THRESHOLD)
LEAF HEIGHT = FRAME HEIGHT - 2.438" (HIGH THRESHOLD)
LEAF WIDTH = FRAME WIDTH - 5.188"

THESE DOORS ARE RATED FOR LARGE & SMALL MISSILE IMPACT. SHUTTERS ARE NOT REQUIRED.

PRODUCT REVISED
as complying with the Florida
Building Code
Acceptance No. 18-0314-07
Expiration Date DEC 24, 2023
Ishag I. Ahmad
General Product Control



af c
AL-FAROOQ CORPORATION
ENGINEERS & PRODUCT DEVELOPMENT
9360 SUNSET DRIVE, SUITE 220
MIAMI, FLORIDA 33173 (C.A.N. 3538)
TEL. (305) 264-8100 FAX. (305) 262-6978
COMP-ANL\W11-40MG

SERIES-MG500 ALUM OUTSWING FRENCH DOOR (L.M.I.)
MR. GLASS DOORS & WINDOWS INC.
8120 N.W. 84 STREET
MEDLEY, FL. 33166
TEL. (305) 470-8284 FAX. (305) 470-8285

revisions:

no	date	by	description
A	03.29.12		UPDATED TO 2010 FBC
B	03.16.16		UPDATED TO 2014 FBC
C	04.04.18		GENERAL REV.
D	07.27.18		REV. PER PER COMMENTS

date: 07-15-11
scale: 1/2" = 1'-0"
dr. by: TARIQ
chk. by:

drawing no.
W11-40
sheet 1 of 18

**SINGLE DOORS WITH OR WITHOUT TRANSOMS
USE CHARTS AS FOLLOWS
FOR THE CORRESPONDING DOOR SIZE**

- FOR GLASS TYPE, LOCK AND HINGE OPTIONS OBTAIN LOAD CAPACITIES FROM TABLE #D1.
- SELECT THRESHOLD TYPE TO BE USED.
WATER RATED HIGH THRESHOLD ITEM #E2B (ES-9026) +120.0 PSF
NON WATER RATED (STD. THRESHOLD +90.0 PSF)
NON WATER RATED (SADDLE THRESHOLD +80.0 PSF)
- FOR JAMB ANCHORS TYPE/SHIMSPACE OBTAIN LOAD CAPACITIES FROM TABLE #J1.
- TRANSOMS FOR SINGLE DOORS ARE LIMITED TO ±90.0 PSF *
SEE ELEVATION AT RIGHT FOR TRANSOM END ANCHORS.
THE LOWEST VALUES FROM STEPS 1, 2, 3 AND 4 WILL GOVERN.

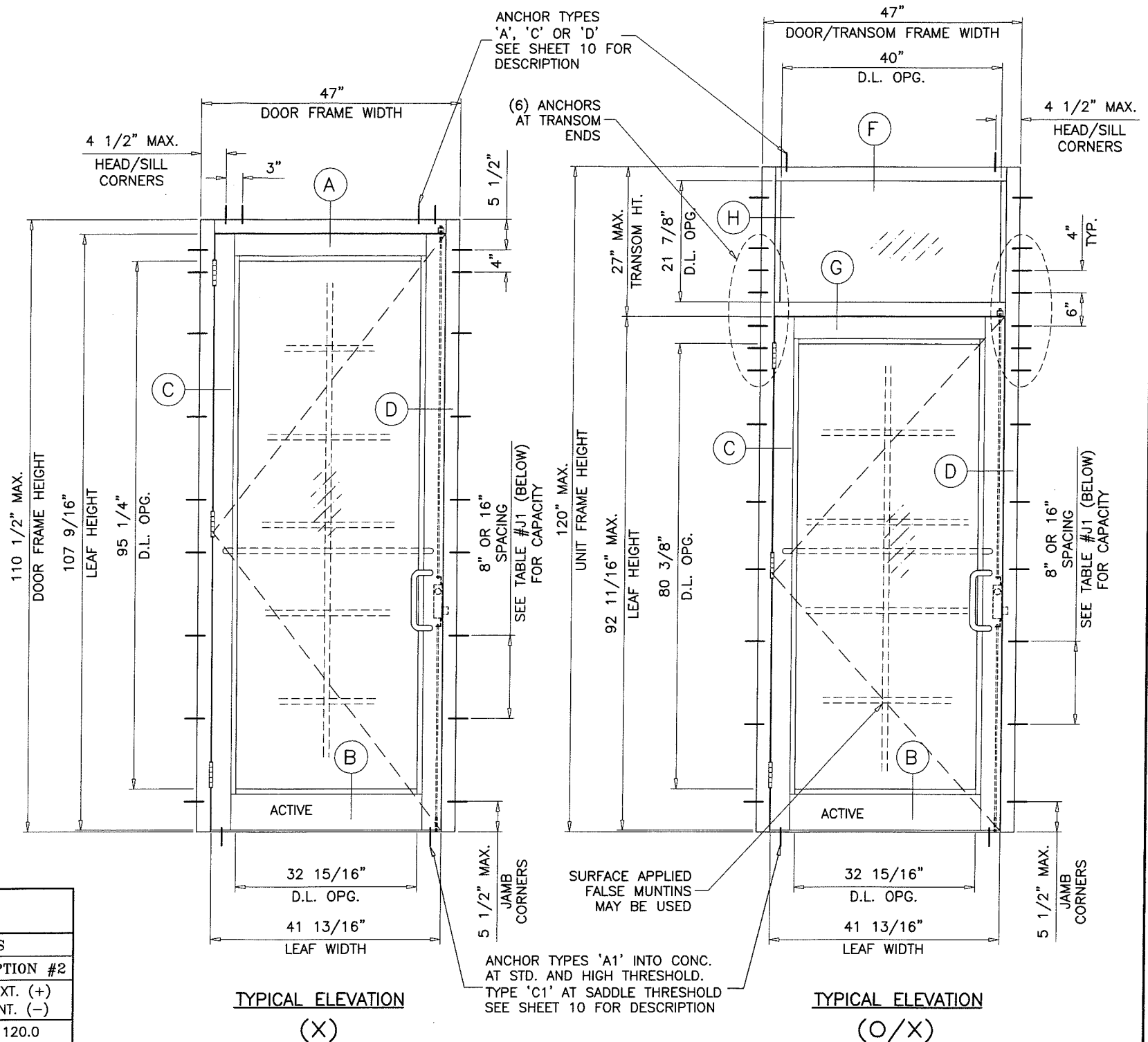
TABLE #D1		DOORS LOAD CAPACITY - PSF						
		SINGLE DOORS WITHOUT TRANSOM (X) OR WITH TRANSOM* (O/X)						
DOOR DIMS.		GLASS		LOCKS			HINGES	
FRAME WIDTH	FRAME HEIGHT	TYPE 'A'	TYPE 'B'/'C'	OPTION #1	OPTION #2	OPTION #3	OPTION #1	OPTION #2
47"	98-1/2"	EXT. (+) INT. (-)	EXT. (+) INT. (-)	EXT. (+) INT. (-)	EXT. (+) INT. (-)	EXT. (+) INT. (-)	EXT. (+) INT. (-)	EXT. (+) INT. (-)
47"	110-1/2"	80.0	120.0	80.0	90.0	120.0	80.0	120.0

SINGLE DOORS WITH SADDLE THRESHOLD LIMITED TO +80.0, -80.0 PSF

SEE SHEET 7 FOR GLASS TYPES DESCRIPTION
SEE SHEET 16 FOR LOCKS AND HINGES DESCRIPTION

TABLE #J1		JAMB ANCHORS LOAD CAPACITY - PSF (NOT APPLICABLE AT TRANSOM ENDS SEE NOTE 4)											
		SINGLE DOORS WITHOUT TRANSOM (X) OR WITH TRANSOM (O/X)											
DOOR DIMS.		1/4" SHIM SPACE				3/8" SHIM SPACE				1/2" SHIM SPACE			
FRAME WIDTH	FRAME HEIGHT	SPACING AT 16" O.C.		SPACING AT 8" O.C.		AT 16" O.C.		AT 8" O.C.		AT 16" O.C.		AT 8" O.C.	
		ANCHOR 'A'	ANCHOR 'C'	ANCHOR 'D'	ANCHOR 'A'	ANCHOR 'C'	ANCHOR 'D'	ANCHOR 'A'	ANCHOR 'C'	ANCHOR 'A'	ANCHOR 'C'	ANCHOR 'A'	ANCHOR 'C'
40"	110-1/2"	EXT.(+) INT.(-)	EXT.(+) INT.(-)	EXT.(+) INT.(-)	EXT.(+) INT.(-)	EXT.(+) INT.(-)	EXT.(+) INT.(-)	EXT.(+) INT.(-)	EXT.(+) INT.(-)	EXT.(+) INT.(-)	EXT.(+) INT.(-)	EXT.(+) INT.(-)	EXT.(+) INT.(-)
47"	110-1/2"	112.5	120.0	120.0	120.0	120.0	120.0	90.5	117.4	120.0	120.0	70.2	92.7
47"	110-1/2"	95.7	111.0	120.0	120.0	120.0	120.0	77.0	100.0	120.0	120.0	59.7	78.9

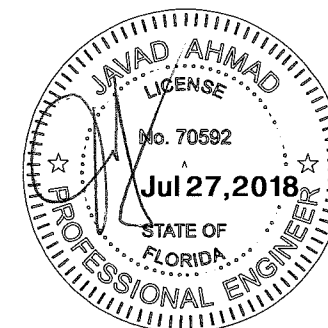
SEE SHEET 10 FOR ANCHOR DESCRIPTION



TYPICAL ELEVATION (X)

TYPICAL ELEVATION (O/X)

PRODUCT REVISED
as complying with the Florida
Building Code
Acceptance No. 18-03/4-07
Expiration Date 12/24/23
Issued by: J. Ahmad
Product Control



NOTE:
GLASS CAPACITIES ON THIS SHEET ARE
BASED ON ASTM E1300-09 (3 SEC. GUSTS)
AND FLORIDA BUILDING COMMISSION
DECLARATORY STATEMENT DCA05-DEC-219

af c
AL-FAROOQ CORPORATION
ENGINEERS & PRODUCT DEVELOPMENT
9360 SUNSET DRIVE, SUITE 220 (C.A.N. 3538)
MIAMI, FLORIDA 33173
TEL. (305) 264-8100 FAX. (305) 262-6978
COMP-ANL\W11-40MG

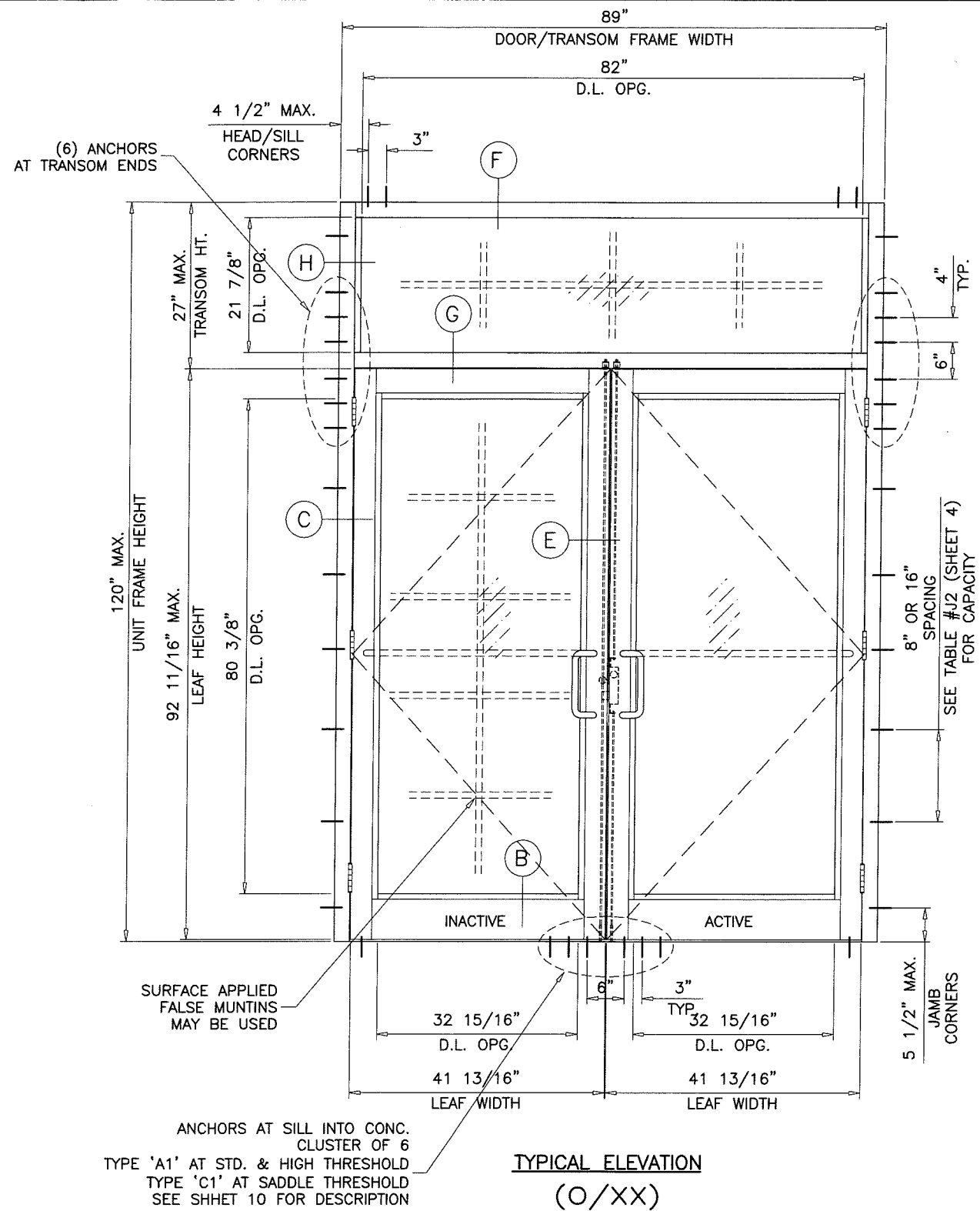
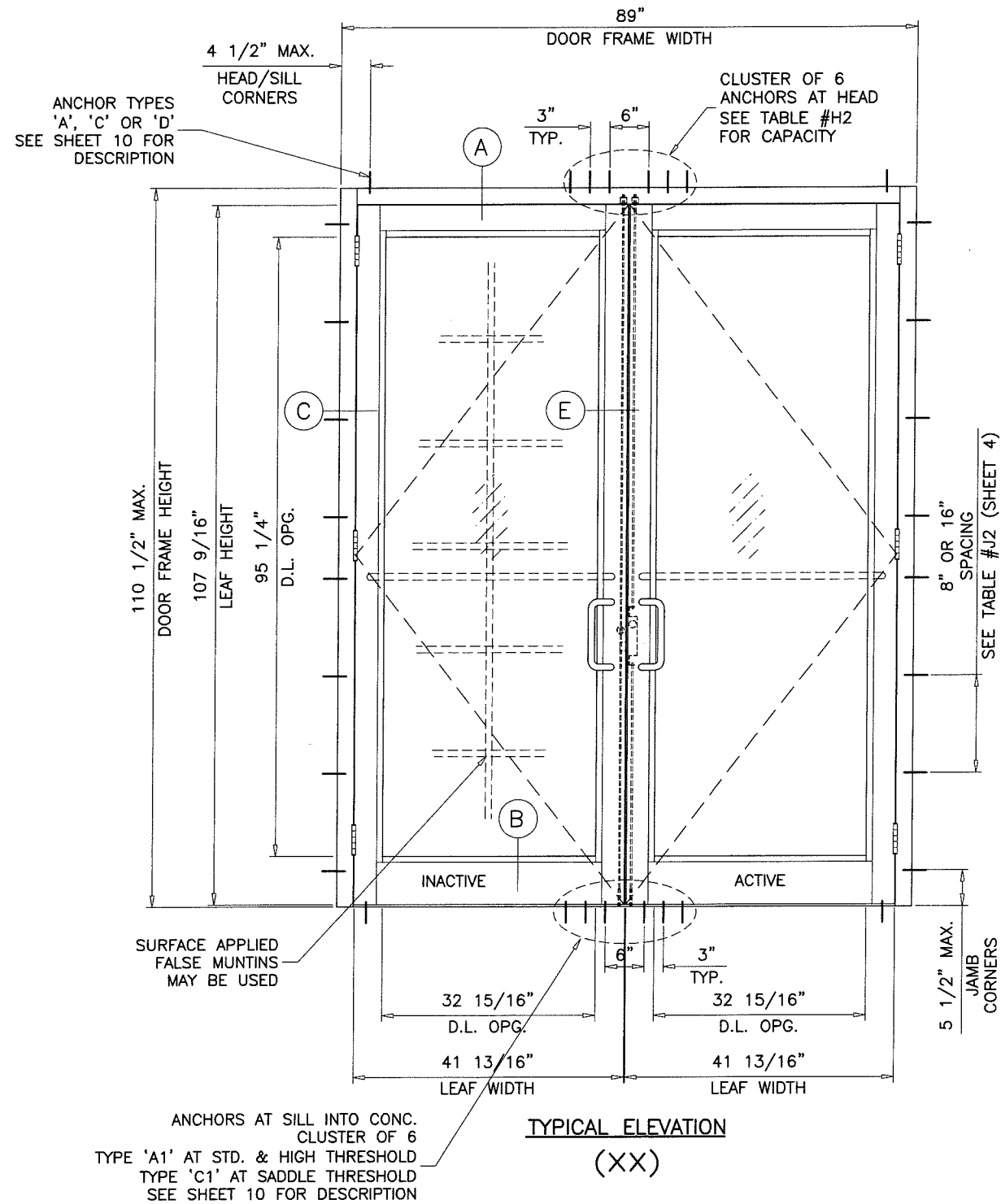
SERIES-MG500 ALUM OUTSWING FRENCH DOOR (L.M.I.)
MR. GLASS DOORS & WINDOWS INC.
8120 N.W. 84 STREET
MEDLEY, FL. 33166
TEL. (305) 470-8284 FAX. (305) 470-8285

no	date	by	description
A	03.29.12		UPDATED TO 2010 FBC
B	03.16.16		UPDATED TO 2014 FBC
C	04.04.18		GENERAL REV.
D	07.27.18		REV. PER RER COMMENTS

revisions:

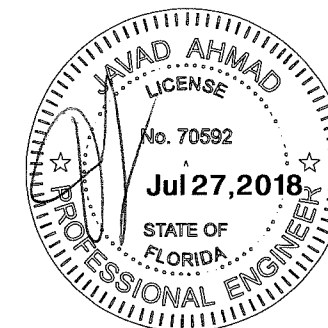
date: 07-15-11
scale: 1/2"=1'-0"
dr. by: TARIQ
chk. by:

drawing no. **W11-40**
sheet 2 of 18



SEE CHARTS ON SHEET 4 FOR DOUBLE DOOR AND TRANSOM LOAD CAPACITY

PRODUCT REVIEWED
 in compliance with the Florida Building Code
 Acceptance No. 18-0314-07
 Expiration Date 12/24/23
 by: [Signature]
 Product Control



af c
AL-FAROOQ CORPORATION
 ENGINEERS & PRODUCT DEVELOPMENT
 9360 SUNSET DRIVE, SUITE 220
 MIAMI, FLORIDA 33173
 TEL. (305) 264-8100 FAX. (305) 262-6978
 COMP-ANL\W11-40MG

SERIES-MG500 ALUM OUTSWING FRENCH DOOR (L.M.I.)
MR. GLASS DOORS & WINDOWS INC.
 8120 N.W. 84 STREET
 MEDLEY, FL. 33166
 TEL. (305) 470-8284 FAX. (305) 470-8285

no	date	description
A	03.29.12	NO CHANGE THIS SHEET
B	03.16.16	UPDATED TO 2014 FBC
C	04.04.18	GENERAL REV.
D	07.27.18	REV. PER RER COMMENTS

date: 07-15-11
 scale: 1/2"=1'-0"
 dr. by: TARIQ
 chk. by:
 drawing no. W11-40
 sheet 3 of 18

**DOUBLE DOORS WITH OR WITHOUT TRANSOMS
USE CHARTS AS FOLLOWS
FOR THE CORRESPONDING DOOR SIZE**

- 1- FOR GLASS TYPE, LOCK AND HINGE OPTIONS
OBTAIN LOAD CAPACITIES FROM TABLE #D2.
- 2- SELECT THRESHOLD TYPE TO BE USED.
NON WATER RATED FOR DOUBLE DOORS
(STANDARD, SADDLE OR HIGH THRESHOLD)
- 3- FOR JAMB ANCHORS TYPE/SHIMSPACE OBTAIN
LOAD CAPACITIES FROM TABLE #J2.
SEE ELEVATION ON SHEET 3 FOR TRANSOM END ANCHORS.
(MIN. 6 ANCHORS REQD. IN ALL CASES)
- 4- FOR HEAD ANCHORS, TYPE/SHIMSPACE OBTAIN
LOAD CAPACITIES FROM TABLE #H2.
THE LOWEST VALUES FROM STEPS 1, 2, 3
AND 4 WILL GOVERN.

TABLE #D2		DOORS LOAD CAPACITY - PSF DOUBLE DOOR WITHOUT TRANSOM (XX) OR WITH TRANSOM (O/XX)						
DOOR DIMS.		GLASS		LOCKS			HINGES	
		TYPE 'A'	TYPE 'B'/'C'	OPTION #1	OPTION #2	OPTION #3	OPTION #1	OPTION #2
FRAME WIDTH	FRAME HEIGHT	EXT. (+) INT. (-)	EXT. (+) INT. (-)	EXT. (+) INT. (-)	EXT. (+) INT. (-)	EXT. (+) INT. (-)	EXT. (+) INT. (-)	EXT. (+) INT. (-)
89"	98-1/2"	80.0	90.0	80.0	90.0	90.0	80.0	90.0
89"	110-1/2"	80.0	80.0	80.0	80.0	80.0	80.0	90.0

DOUBLE DOORS WITH SADDLE THRESHOLD LIMITED TO +80.0, -80.0 PSF
SEE SHEET 7 FOR GLASS TYPES DESCRIPTION
SEE SHEET 16 FOR LOCKS AND HINGES DESCRIPTION

TABLE #J2		JAMB ANCHORS LOAD CAPACITY - PSF (NOT APPLICABLE AT TRANSOM ENDS SEE NOTE 3) DOUBLE DOORS WITHOUT TRANSOM (XX) OR WITH TRANSOM (O/XX)													
DOOR DIMS.		1/4" SHIM SPACE						3/8" SHIM SPACE				1/2" SHIM SPACE			
		SPACING AT 16" O.C.		SPACING AT 8" O.C.		AT 16" O.C.		AT 8" O.C.		AT 16" O.C.		AT 8" O.C.			
		ANCHOR 'A'	ANCHOR 'C'	ANCHOR 'D'	ANCHOR 'A'	ANCHOR 'C'	ANCHOR 'D'	ANCHOR 'A'	ANCHOR 'C'	ANCHOR 'A'	ANCHOR 'C'	ANCHOR 'A'	ANCHOR 'C'	ANCHOR 'A'	ANCHOR 'C'
FRAME WIDTH	FRAME HEIGHT	EXT.(+) INT.(-)	EXT.(+) INT.(-)	EXT.(+) INT.(-)	EXT.(+) INT.(-)	EXT.(+) INT.(-)	EXT.(+) INT.(-)	EXT.(+) INT.(-)	EXT.(+) INT.(-)	EXT.(+) INT.(-)	EXT.(+) INT.(-)	EXT.(+) INT.(-)	EXT.(+) INT.(-)	EXT.(+) INT.(-)	
75"	110-1/2"	90.0	90.0	90.0	90.0	90.0	90.0	90.0	90.0	90.0	90.0	74.9	90.0	90.0	90.0
89"	110-1/2"	90.0	88.7	90.0	90.0	90.0	90.0	81.3	88.7	90.0	90.0	63.1	83.3	90.0	90.0

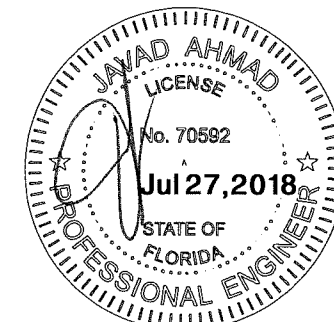
SEE SHEET 10 FOR ANCHOR DESCRIPTION

TABLE #H2		HEAD ANCHORS LOAD CAPACITY - PSF DOUBLE DOOR WITHOUT TRANSOM (XX) OR WITH TRANSOM (O/XX)							
DOOR DIMS.		1/4" SHIM SPACE			3/8" SHIM SPACE		1/2" SHIM SPACE		
		ANCHOR TYPE 'A'	ANCHOR TYPE 'C'	ANCHOR TYPE 'D'	ANCHOR TYPE 'A'	ANCHOR TYPE 'C'	ANCHOR TYPE 'A'	ANCHOR TYPE 'C'	
FRAME WIDTH	FRAME HEIGHT	EXT. (+) INT. (-)	EXT. (+) INT. (-)	EXT. (+) INT. (-)	EXT. (+) INT. (-)	EXT. (+) INT. (-)	EXT. (+) INT. (-)	EXT. (+) INT. (-)	
75"	98-1/2"	90.0	90.0	90.0	90.0	90.0	73.0	90.0	
89"	98-1/2"	90.0	90.0	90.0	79.2	90.0	61.5	81.2	
75"	110-1/2"	90.0	90.0	90.0	83.8	90.0	65.1	85.9	
89"	110-1/2"	90.0	90.0	90.0	70.6	90.0	54.8	72.3	

SEE SHEET 10 FOR ANCHOR DESCRIPTION

SILL ANCHORS DESIGN LOAD CAPACITY ALL SIZES = ± 90.0 PSF (STD. & HIGH THRESHOLDS)
± 80.0 PSF (SADDLE THRESHOLD)

PRODUCT REVISED
to comply with the Florida
Building Code
Acceptance No. 18-0314.07
Expiration Date 12/24/23
Alshaykh I. Chaudhry
Senior Eng. Product Control



NOTE:
GLASS CAPACITIES ON THIS SHEET ARE
BASED ON ASTM E1300-09 (3 SEC. GUSTS)
AND FLORIDA BUILDING COMMISSION
DECLARATORY STATEMENT DCA05-DEC-219

af c
AL-FAROOQ CORPORATION
ENGINEERS & PRODUCT DEVELOPMENT
9360 SUNSET DRIVE, SUITE 220
MIAMI, FLORIDA 33173 (C.A.N. 3538)
TEL. (305) 264-8100 FAX. (305) 262-6978
COMP-ANL W11-40MG

SERIES-MG500 ALUM OUTSWING FRENCH DOOR (L.M.I.)
MR. GLASS DOORS & WINDOWS INC.
8120 N.W. 84 STREET
MEDLEY, FL. 33166
TEL. (305) 470-8284 FAX. (305) 470-8285

no	date	by	description
A	03.29.12		NO CHANGE THIS SHEET
B	03.16.16		UPDATED TO 2014 FBC
C	04.04.18		GENERAL REV.
D	07.27.18		REV. PER PER COMMENTS

date: 07-15-11
scale: 1/2" = 1'-0"
dr. by: TARIQ
chk. by:

drawing no.
W11-40
sheet 4 of 18

**SINGLE OR DOUBLE DOORS WITHOUT TRANSOMS
USE CHARTS AS FOLLOWS
FOR THE CORRESPONDING DOOR SIZE**

- 1- FOR GLASS TYPE, LOCK AND HINGE OPTIONS OBTAIN LOAD CAPACITIES FROM TABLE #D3.
- 2- THESE DOORS APPROVED WITH STD. THRESHOLD ONLY.
- 3- FOR JAMB ANCHORS TYPE/SHIMSPACE OBTAIN LOAD CAPACITIES FROM TABLE #J3.
- 4- FOR HEAD ANCHORS, TYPE/SHIMSPACE OBTAIN LOAD CAPACITIES FROM TABLE #H3.
THE LOWEST VALUES FROM STEPS 1, 3 AND 4 WILL GOVERN.

TABLE #D3 DOORS LOAD CAPACITY - PSF SINGLE(X) OR DOUBLE(XX) DOORS WITHOUT TRANSOM					
SINGLE DOOR(X) DIMS.		DOUBLE DOOR(XX) DIMS.		GLASS TYPE 'A.1'	HINGES LOCKS OPTION #3 OPTION #2.1
FRAME WIDTH	FRAME HEIGHT	FRAME WIDTH	FRAME HEIGHT	EXT. (+) INT. (-)	
40-1/4"	99"	75-1/2"	99"	105.3	

SEE SHEET 7 FOR GLASS TYPES DESCRIPTION
SEE SHEET 16 FOR LOCKS AND HINGES DESCRIPTION

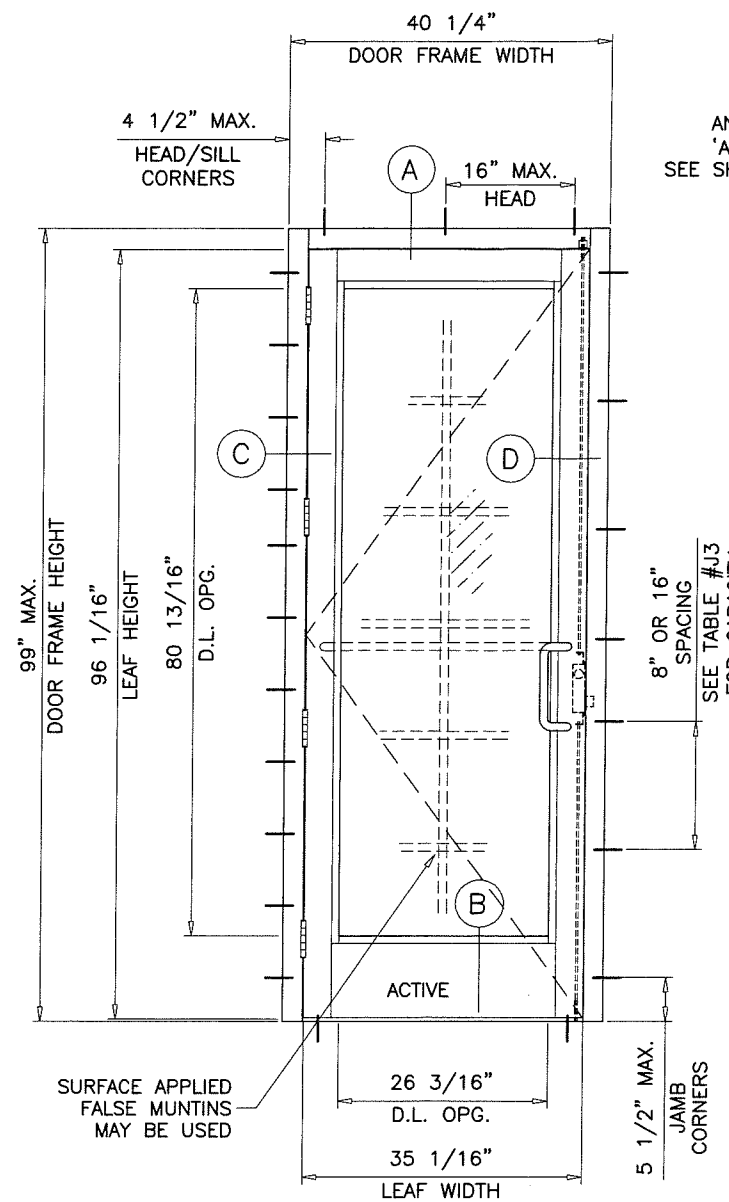
TABLE #J3 JAMB ANCHORS LOAD CAPACITY - PSF SINGLE(X) DOUBLE(XX) DOORS WITHOUT TRANSOM											
SINGLE DOOR(X) DIMS.		DOUBLE DOOR(XX) DIMS.		1/4" SHIM SPACE		3/8" SHIM SPACE		1/2" SHIM SPACE			
				SPACING AT 16" O.C.		AT 16"		AT 8" O.C.		AT 16"	
FRAME WIDTH	FRAME HEIGHT	FRAME WIDTH	FRAME HEIGHT	ANCHOR 'A', 'C' & 'D'		ANCHOR 'A'	ANCHOR 'C'	ANCHOR 'A' & 'C'	ANCHOR 'A'	ANCHOR 'C'	ANCHOR 'A' & 'C'
40-1/4"	99"	75-1/2"	99"	EXT.(+) INT.(-)	EXT.(+) INT.(-)	EXT.(+) INT.(-)	EXT.(+) INT.(-)	EXT.(+) INT.(-)	EXT.(+) INT.(-)	EXT.(+) INT.(-)	EXT.(+) INT.(-)
				105.3	89.9	105.3	105.3	69.8	92.1	105.3	

SEE SHEET 10 FOR ANCHOR DESCRIPTION

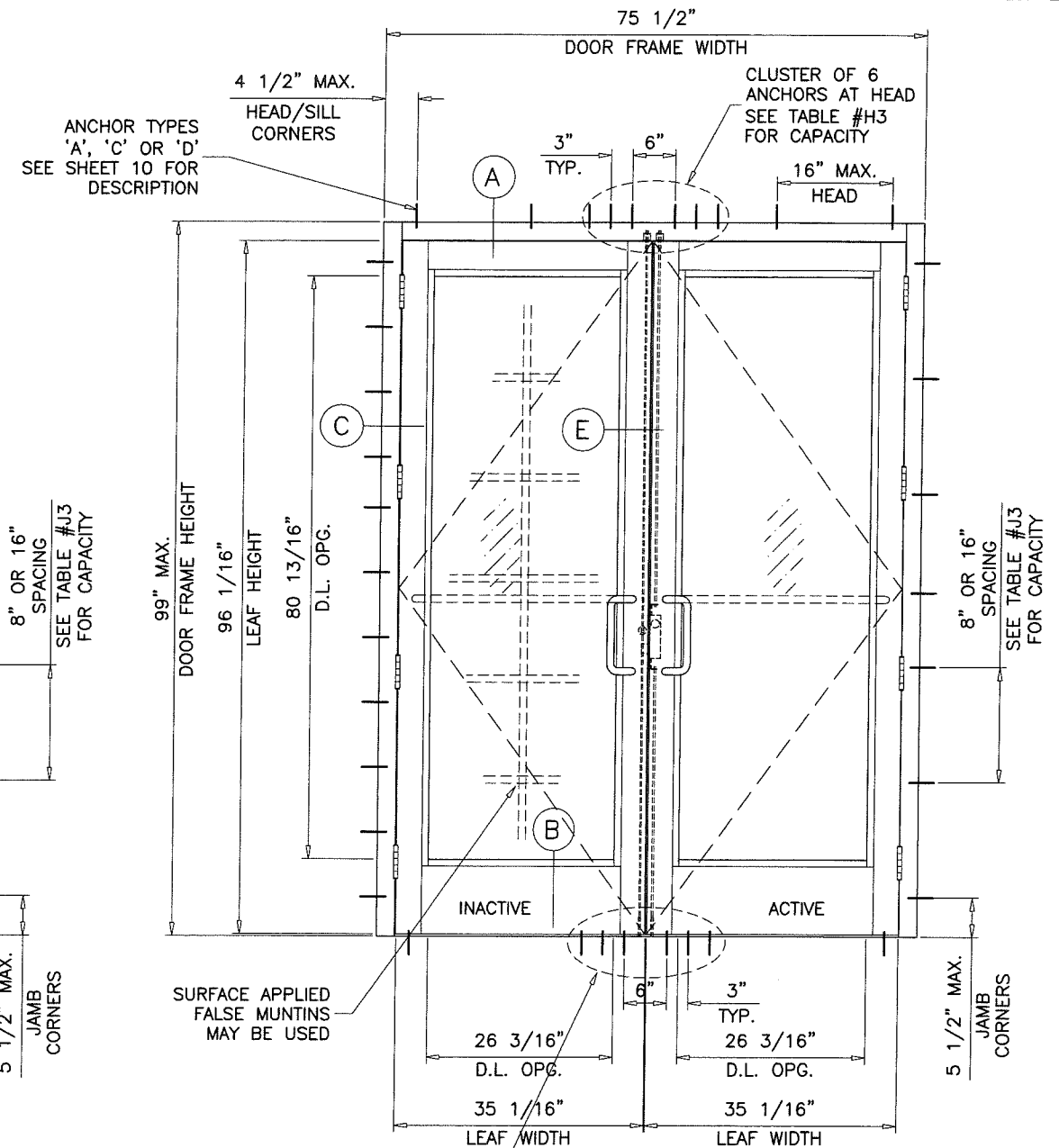
TABLE #H3 HEAD ANCHORS LOAD CAPACITY - PSF DOUBLE DOOR WITHOUT TRANSOM(XX)						
DOOR DIMS.		1/4" SHIM SPACE		3/8" SHIM SPACE		1/2" SHIM SPACE
		ANCHOR 'A', 'C' & 'D'		ANCHOR TYPE 'A'	ANCHOR TYPE 'C'	ANCHOR TYPE 'A'
FRAME WIDTH	FRAME HEIGHT	EXT. (+) INT. (-)	EXT. (+) INT. (-)	EXT. (+) INT. (-)	EXT. (+) INT. (-)	EXT. (+) INT. (-)
75-1/2"	99"	105.3	105.3	105.3	84.1	105.3

SEE SHEET 10 FOR ANCHOR DESCRIPTION

SILL ANCHORS DESIGN LOAD CAPACITY ALL SIZES = ± 105.3 PSF (STD. THRESHOLD)



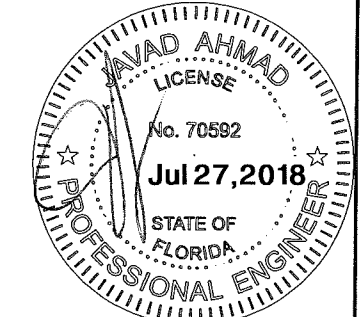
**TYPICAL ELEVATION
(X)**



**TYPICAL ELEVATION
(XX)**

NOTE:
GLASS CAPACITIES ON THIS SHEET ARE
BASED ON ASTM E1300-09 (3 SEC. GUSTS)
AND FLORIDA BUILDING COMMISSION
DECLARATORY STATEMENT DCA05-DEC-219

PRODUCT REVISED
is complying with the Florida
Building Code
Acceptance No. 18-0314.07
Expiration Date 12/24/23
Javad Ahmad
Product Control



af c
AL-FAROOQ CORPORATION
ENGINEERS & PRODUCT DEVELOPMENT
9360 SUNSET DRIVE, SUITE 220
MIAMI, FLORIDA 33173 (C.A.N. 3538)
TEL. (305) 264-8100 FAX. (305) 262-6978
COMP-ANL W11-40MG

SERIES-MC500 ALUM OUTSWING FRENCH DOOR (L.M.I.)
MR. GLASS DOORS & WINDOWS INC.
8120 N.W. 84 STREET
MEDLEY, FL. 33166
TEL. (305) 470-8284 FAX. (305) 470-8285

no	date	description
A	03.29.12	NO CHANGE THIS SHEET
B	03.16.16	UPDATED TO 2014 FBC
C	04.04.18	GENERAL REV.
D	07.27.18	REV. PER RER COMMENTS

date:	07-15-11
scale:	1/2" = 1'-0"
dr. by:	TARIQ
chk. by:	

drawing no.
W11-40
sheet 5 of 18

**SINGLE DOORS WITHOUT TRANSOMS
USE CHARTS AS FOLLOWS
FOR THE CORRESPONDING DOOR SIZE**

- 1- FOR GLASS TYPE, LOCK AND HINGE OPTIONS OBTAIN LOAD CAPACITIES FROM TABLES #D4.
- 2- THESE DOORS APPROVED WITH STD. THRESHOLD ONLY.
- 3- FOR JAMB ANCHORS TYPE/SHIMSPACE OBTAIN LOAD CAPACITIES FROM TABLE #J4.

THE LOWEST VALUES FROM STEPS 1 AND 3 WILL GOVERN.

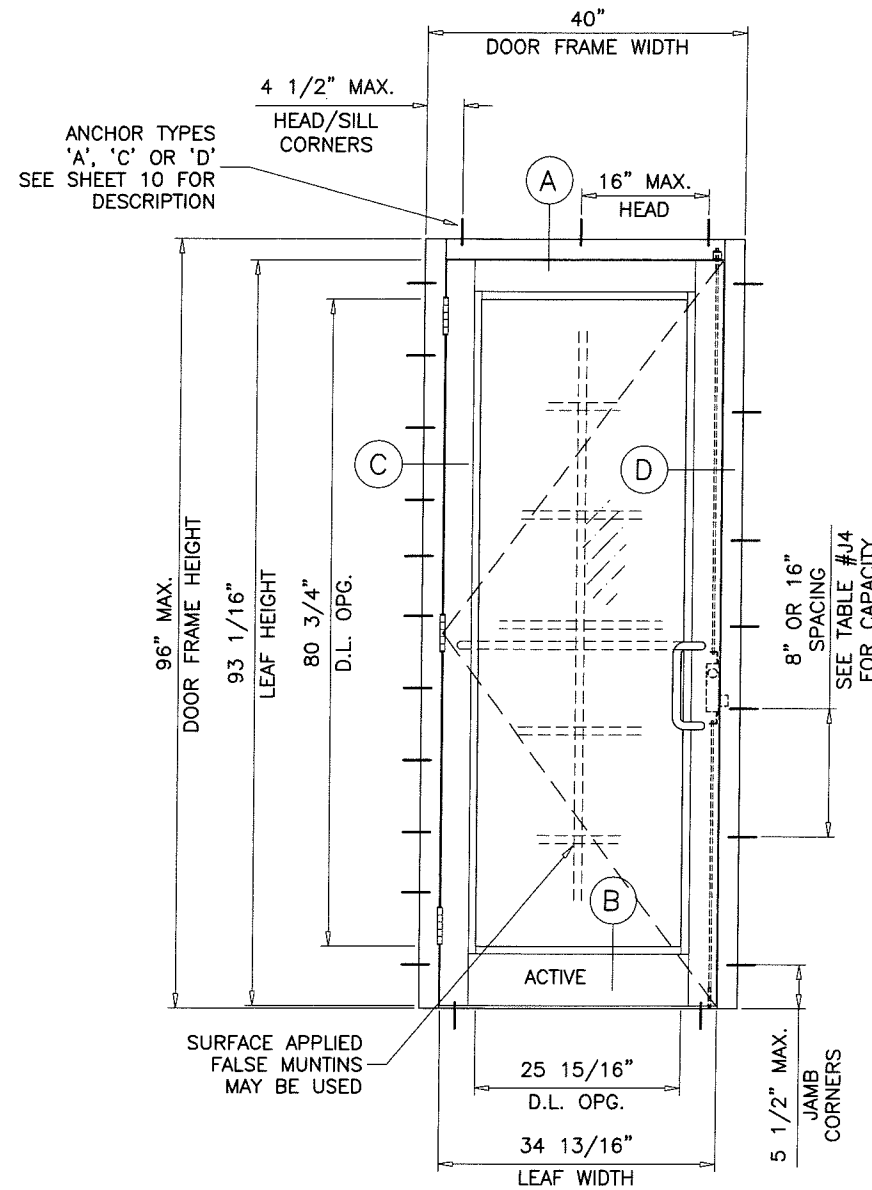
TABLE #D4		DOORS LOAD CAPACITY - PSF SINGLE(X) DOORS WITHOUT TRANSOM					
SINGLE DOOR(X) DIMS.		GLASS		LOCKS		HINGES	
		TYPE 'B.1'		OPTION #3		OPTION #2	
FRAME WIDTH	FRAME HEIGHT	EXT.(+)	INT.(-)	EXT.(+)	INT.(-)	EXT.(+)	INT.(-)
40"	96"	120.0	130.0	120.0	130.0	120.0	130.0

SEE SHEET 7 FOR GLASS TYPES DESCRIPTION
SEE SHEET 16 FOR LOCKS AND HINGES DESCRIPTION

TABLE #J4		JAMB ANCHORS LOAD CAPACITY - PSF SINGLE(X) DOORS WITHOUT TRANSOM											
SINGLE DOOR(X) DIMS.		1/4" SHIM SPACE				3/8" SHIM SPACE				1/2" SHIM SPACE			
		AT 16" O.C.		SPACING AT 8" O.C.		AT 16"		AT 8" O.C.		AT 16"		AT 8" O.C.	
		ANCHOR 'A'	ANCHOR 'C'	ANCHOR 'D'	ANCHOR 'A', 'C' & 'D'	ANCHOR 'A'	ANCHOR 'C'	ANCHOR 'A' & 'C'	ANCHOR 'A'	ANCHOR 'C'	ANCHOR 'A'	ANCHOR 'C'	
FRAME WIDTH	FRAME HEIGHT	EXT.(+) INT.(-)	EXT.(+) INT.(-)	EXT.(+) INT.(-)	EXT.(+) INT.(-)	EXT.(+) INT.(-)	EXT.(+) INT.(-)	EXT.(+) INT.(-)	EXT.(+) INT.(-)	EXT.(+) INT.(-)	EXT.(+) INT.(-)	EXT.(+) INT.(-)	
40"	96"	112.5	130.0	130.0	130.0	90.5	117.5	130.0	70.2	92.7	130.0	130.0	

SEE SHEET 10 FOR ANCHOR DESCRIPTION

SILL ANCHORS DESIGN LOAD CAPACITY = ± 130.0 PSF (STD. THRESHOLD)

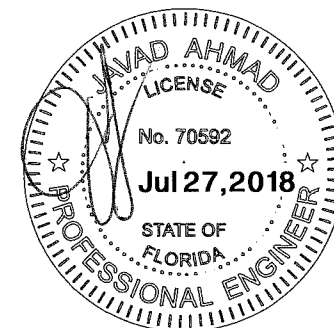


**TYPICAL ELEVATION
(X)**

DOORS WITH SERIES-9500 FRAMES ONLY.

NOTE:
GLASS CAPACITIES ON THIS SHEET ARE
BASED ON ASTM E1300-09 (3 SEC. GUSTS)
AND FLORIDA BUILDING COMMISSION
DECLARATORY STATEMENT DCA05-DEC-219

PRODUCT REVIEWED
as complying with the Florida
Building Code
Acceptance No. 15-0314-07
Expiration Date 12/24/23
E. Ismaili, Chief
Quality Control



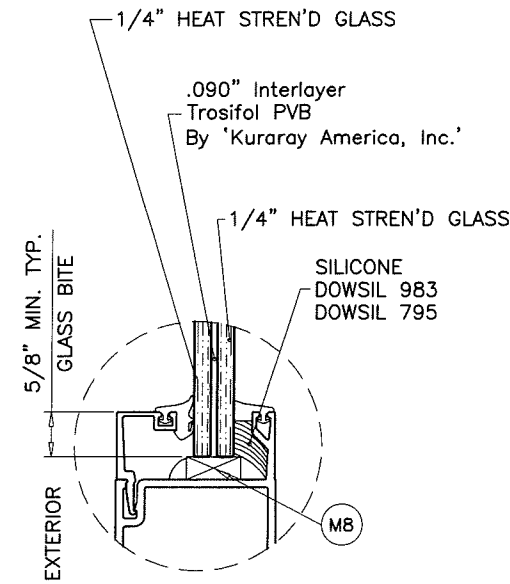
af c
AL-FAROOQ CORPORATION
ENGINEERS & PRODUCT DEVELOPMENT
9360 SUNSET DRIVE, SUITE 220
MIAMI, FLORIDA 33173 (C.A.N. 3538)
TEL. (305) 264-8100 FAX. (305) 262-6978
COMP-ANL\W11-40MG

SERIES-MC500 ALUM OUTSWING FRENCH DOOR (L.M.I.)
MR. GLASS DOORS & WINDOWS INC.
8120 N.W. 84 STREET
MEDLEY, FL. 33166
TEL. (305) 470-8284 FAX. (305) 470-8285

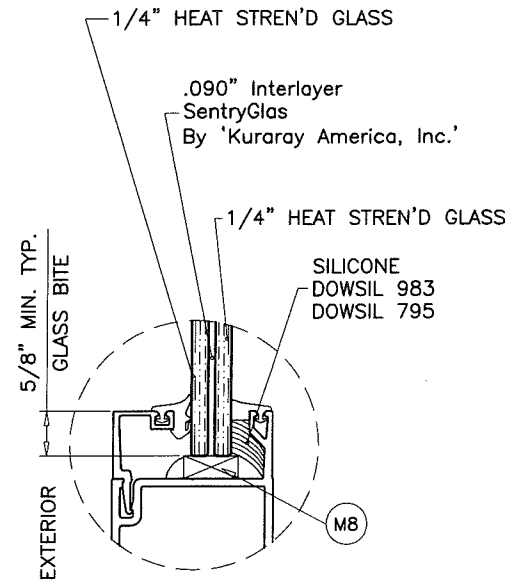
no	date	description
A	03.29.12	NO CHANGE THIS SHEET
B	03.16.16	UPDATED TO 2014 FBC
C	04.04.18	GENERAL REV.
D	07.27.18	REV. PER RER COMMENTS

date:	07-15-11
scale:	1/2" = 1'-0"
dr. by:	TARIQ
chk. by:	

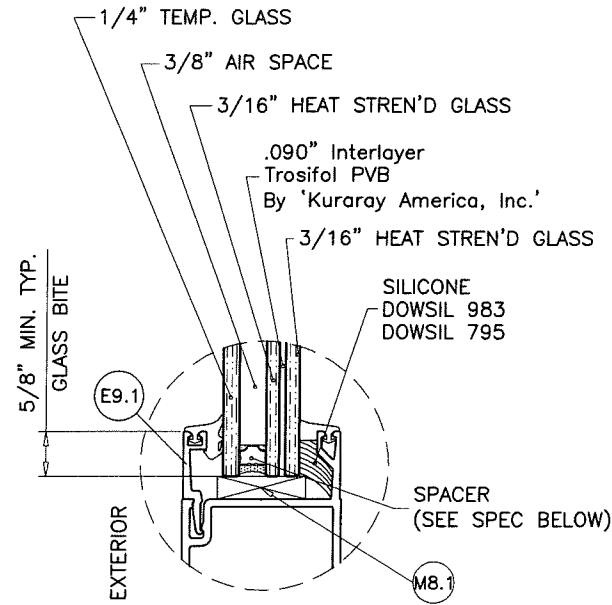
drawing no.
W11-40
sheet 6 of 18



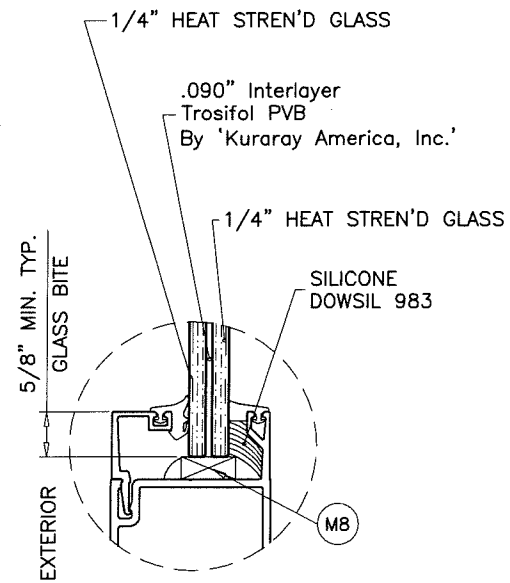
GLASS TYPE 'A'
9/16" OVERALL LAM. GLASS



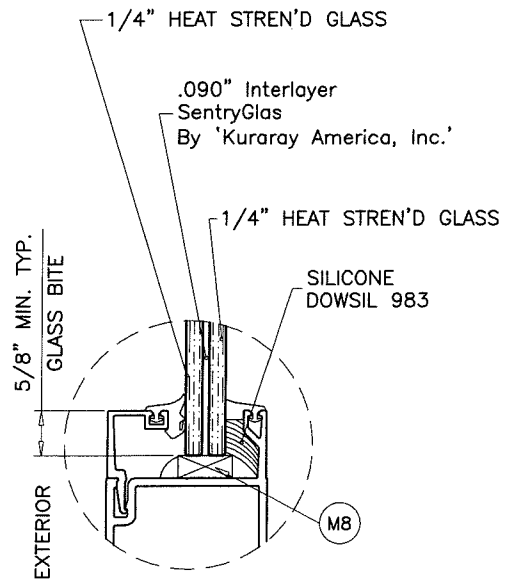
GLASS TYPE 'B'
9/16" OVERALL LAM. GLASS



GLASS TYPE 'C'
1-1/8" OVERALL INSUL. LAM. GLASS



GLASS TYPE 'A.1'
9/16" OVERALL LAM. GLASS

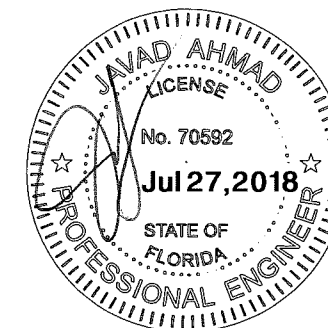


GLASS TYPE 'B.1'
9/16" OVERALL LAM. GLASS

GLAZING OPTIONS

3/8" AIR SPACE CONSISTING OF:
SPACER:
 'HELIMA' LOW PROFILE ALUMINUM SPACER
 BY 'LINGERMANN GMBH'
 AROUND THE PERIMETER OF THE GLASS.
PERIMETER SEALANT:
 SILICONE
 DOWSIL 791
 GE 2000

PRODUCT REVIEWED
 as complying with the Florida
 Building Code
 Acceptance No. 18-034.07
 Expiration Date 12/24/23
[Signature]
 Mr. Ahmad Product Control



af c
AL-FAROOQ CORPORATION
 ENGINEERS & PRODUCT DEVELOPMENT
 9360 SUNSET DRIVE, SUITE 220
 MIAMI, FLORIDA 33173
 TEL. (305) 264-8100 FAX. (305) 262-6978
 (C.A.N. 3538)

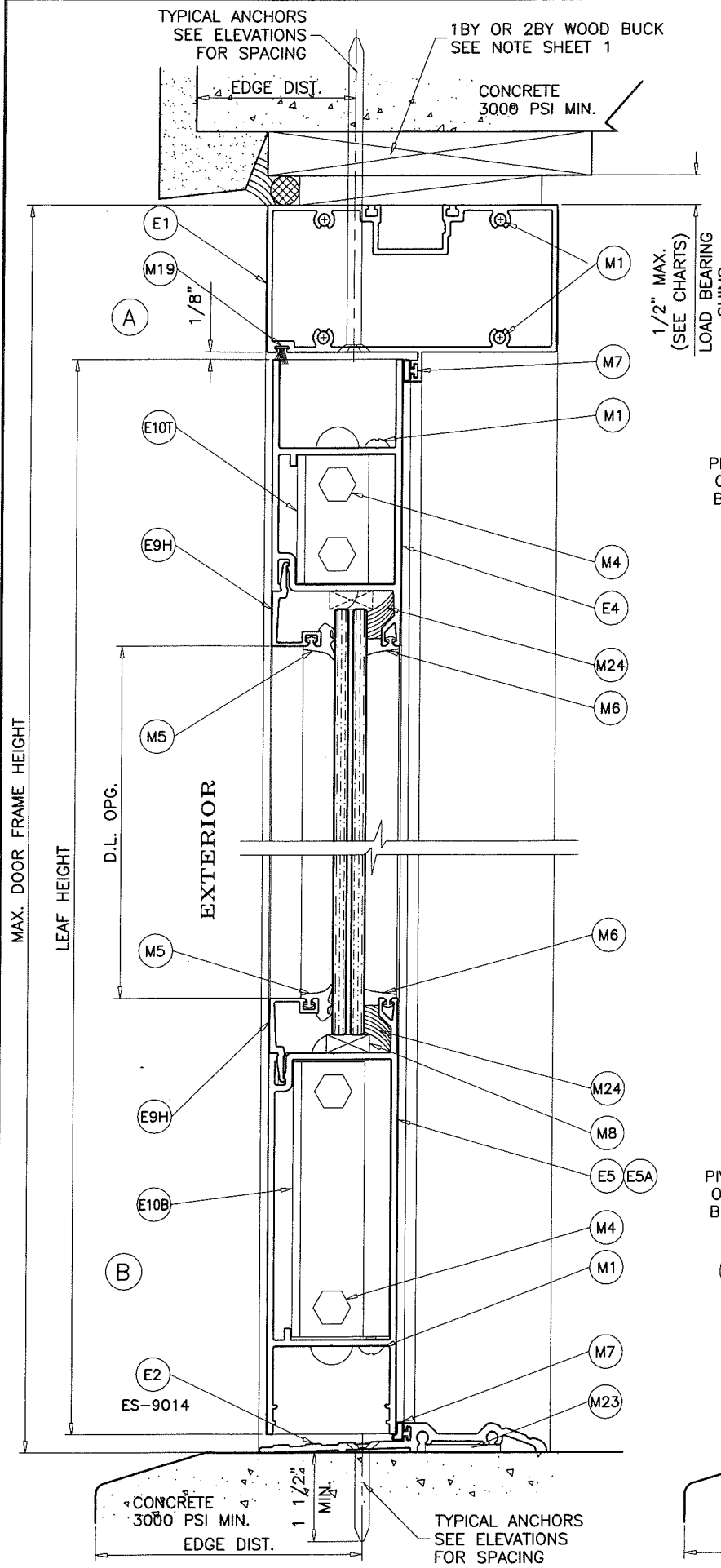
SERIES-MC500 ALUM OUTSWING FRENCH DOOR (L.M.I.)
MR. GLASS DOORS & WINDOWS INC.
 8120 N.W. 84 STREET
 MEDLEY, FL. 33166
 TEL. (305) 470-8284 FAX. (305) 470-8285

no	date	by	description
A	03.29.12		NO CHANGE THIS SHEET
B	03.16.16		UPDATED TO 2014 FBC
C	04.04.18		GENERAL REV.
D	07.27.18		REV. PER RER COMMENTS

date: 07-15-11
 scale: 3/8" = 1"
 dr. by: TARIQ
 chk. by:

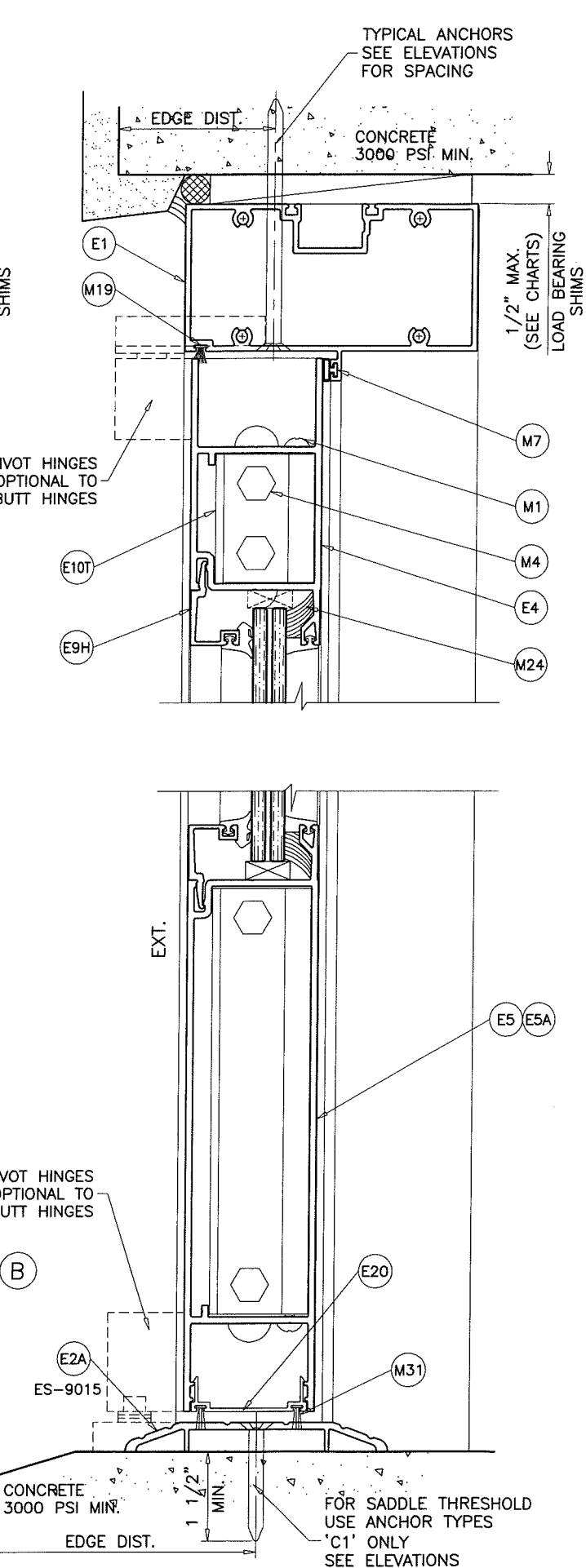
drawing no.
W11-40
 sheet 7 of 18

COMP-ANL\W11-40MG



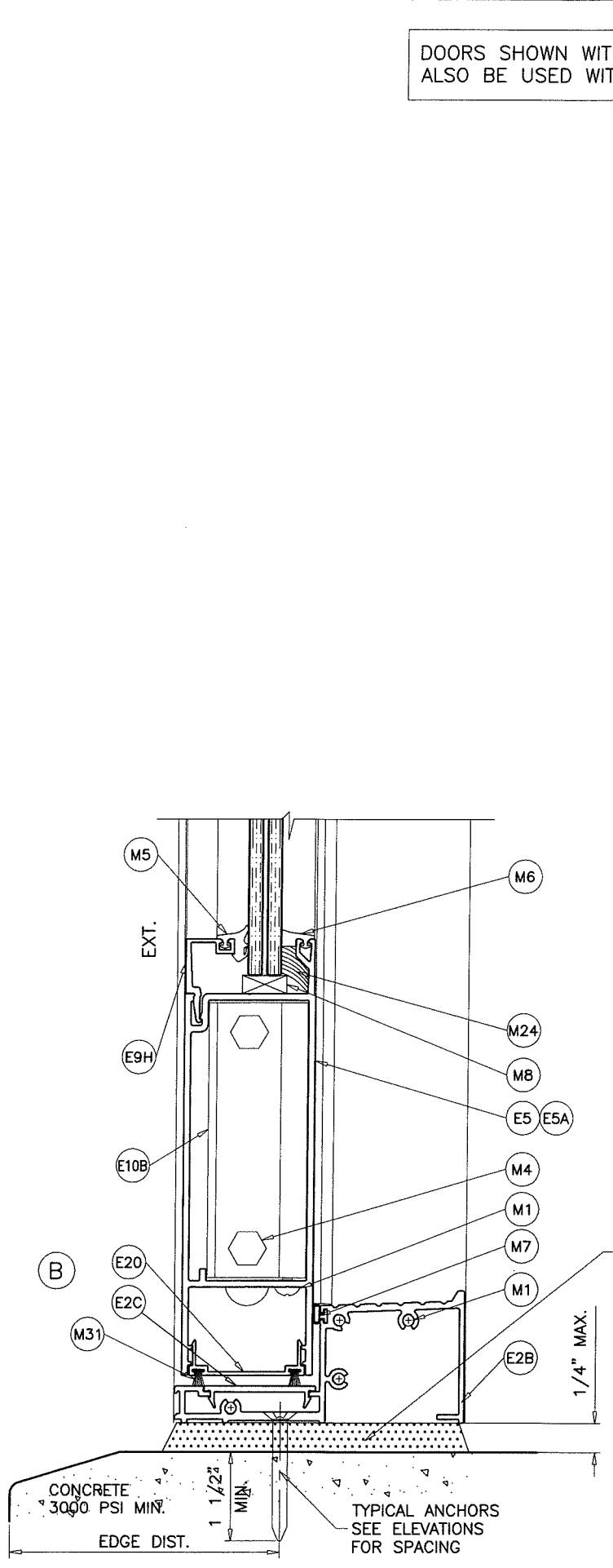
STANDARD THRESHOLD

NOT APPROVED FOR WATER INFILTRATION RESISTANCE (SEE SHEETS 2, 4, 5 & 6)



SADDLE THRESHOLD

NOT APPROVED FOR WATER INFILTRATION RESISTANCE
LIMIT MAX. LOADS TO ±80 PSF



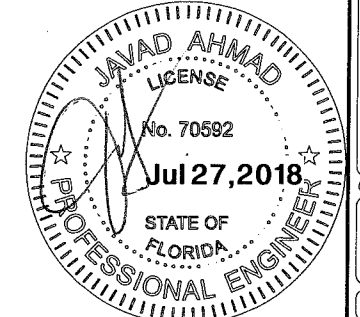
HIGH THRESHOLD OPTION

APPROVED FOR WATER RESISTANCE WHEN USED WITH SINGLE DOORS (SEE SHEET 2)
NOT APPROVED FOR WATER RESISTANCE WHEN USED WITH DOUBLE DOORS

DOORS SHOWN WITH SERIES-9500 FRAMES CAN ALSO BE USED WITH SERIES-MG5000 FRAMES.

PRODUCT REVISED
as complying with the Florida Building Code
Acceptance No. 18-0314.07
Expiration Date 12/29/23
By: *Khan I. Chaudhry*
Mr. Glass Product Control

HIGH STRENGTH GROUT
POURED & HARDENED
f'c = 5000 PSI MIN.
NOT BY MR. GLASS
MUST TRANSFER SHEAR
LOADS TO STRUCTURE



af c
AL-FAROOQ CORPORATION
ENGINEERS & PRODUCT DEVELOPMENT
9360 SUNSET DRIVE, SUITE 220
MIAMI, FLORIDA 33173
TEL. (305) 264-8100 FAX. (305) 262-6978
COMP-ANL\W11-40MG

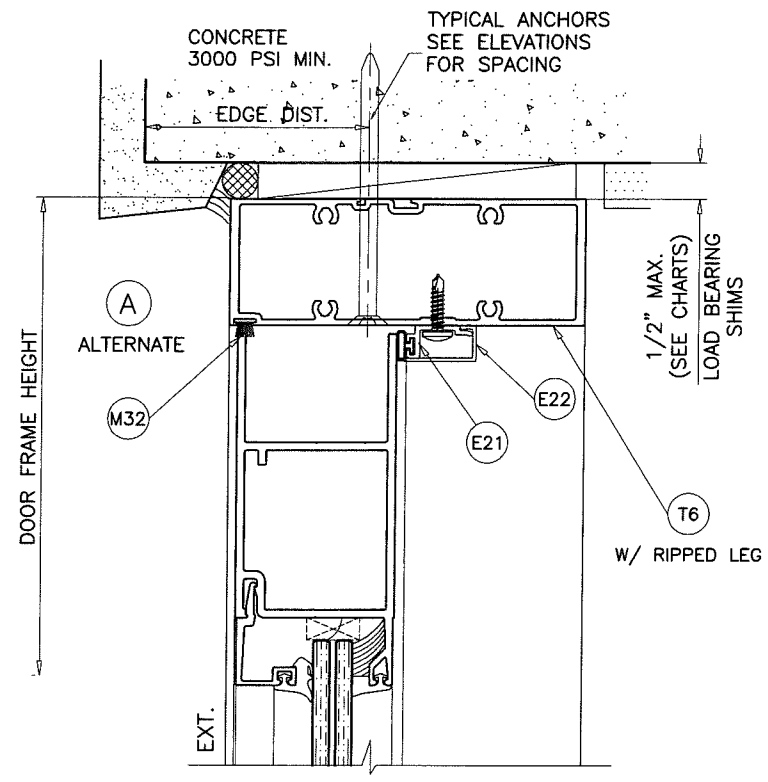
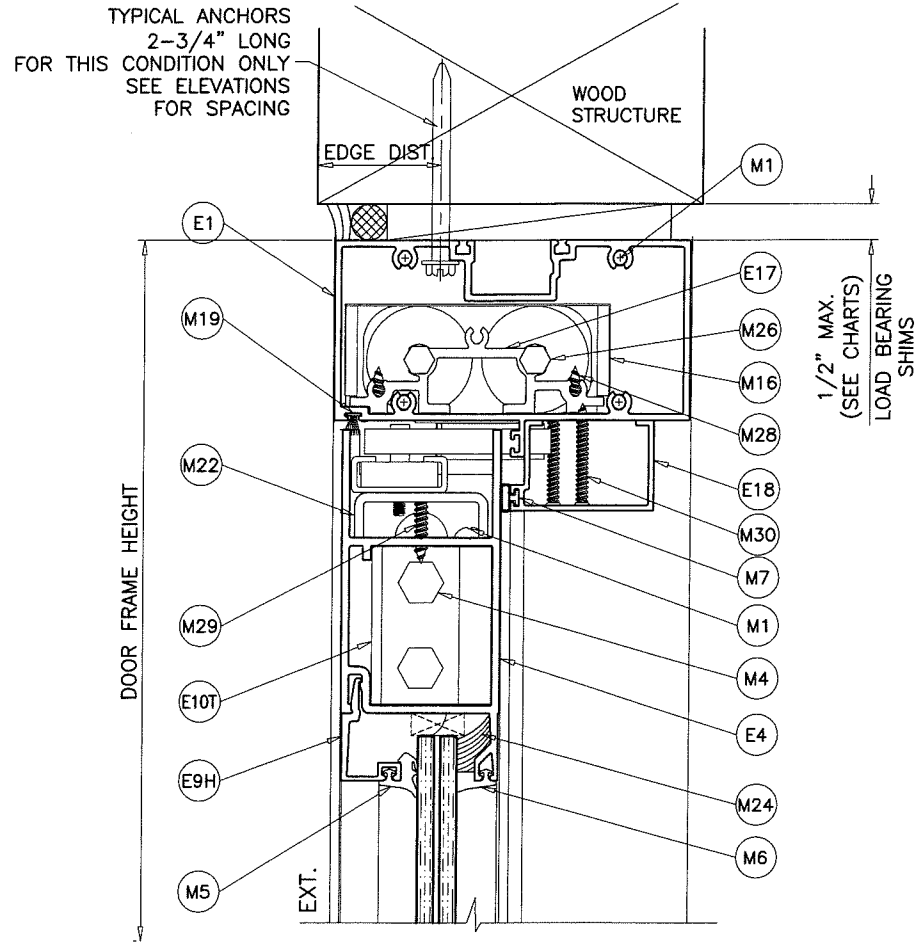
SERIES-MG500 ALUM OUTSWING FRENCH DOOR (L.M.I.)
MR. GLASS DOORS & WINDOWS INC.
8120 N.W. 84 STREET
MEDLEY, FL. 33166
TEL. (305) 470-8284 FAX. (305) 470-8285

no	date	by	description
A	03.29.12		NO CHANGE THIS SHEET
B	03.16.16		UPDATED TO 2014 FBC
C	04.04.18		GENERAL REV.
D	07.27.18		REV. PER RER COMMENTS

date: 07-15-11
scale: 3/8" = 1"
dr. by: TARIQ
chk. by:

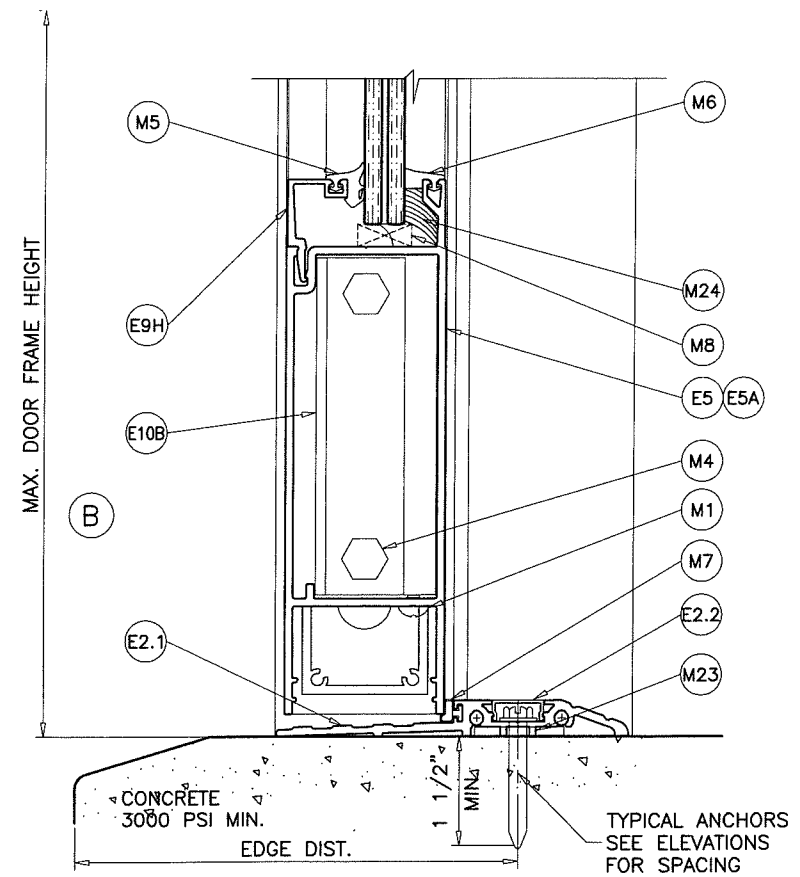
drawing no.
W11-40
sheet 8 of 18

DOORS SHOWN WITH SERIES-9500 FRAMES CAN ALSO BE USED WITH SERIES-MG5000 FRAMES.



DOOR HEAD
SERIES-MG5000 FRAME OPTION

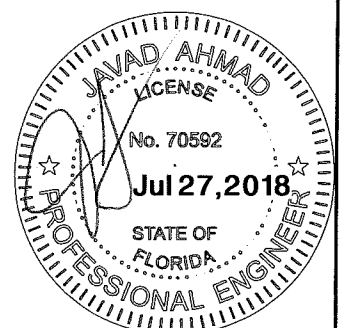
DOOR CLOSERS OPTIONAL



ALT. STANDARD THRESHOLD

NOT APPROVED FOR WATER INFILTRATION RESISTANCE

PRODUCT REVISED
as complying with the Florida
Building Code
Acceptance No. 18-0314-87
Expiration Date 12/24/23
[Signature]
Mfg. and Distrib. Product Control



af c
AL-FAROOQ CORPORATION
ENGINEERS & PRODUCT DEVELOPMENT
9360 SUNSET DRIVE, SUITE 220
MIAMI, FLORIDA 33173 (C.A.N. 3638)
TEL. (305) 264-8100 FAX. (305) 262-6978
COMP-ANL\W11-40MG

SERIES-MG5000 ALUM OUTSWING FRENCH DOOR (L.M.I.)
MR. GLASS DOORS & WINDOWS INC.
8120 N.W. 84 STREET
MEDLEY, FL. 33166
TEL. (305) 470-8284 FAX. (305) 470-8285

no	date	description
A	03.29.12	NO CHANGE THIS SHEET
B	03.16.16	UPDATED TO 2014 FBC
C	04.04.18	GENERAL REV.
D	07.27.18	REV. PER PER COMMENTS

date: 07-15-11
scale: 3/8" = 1"
dr. by: TARIQ
chk. by:

drawing no.
W11-40
sheet 9 of 18

1X OR 2X WOOD BUCKS AND METAL STRUCTURES NOT BY MR. GLASS MUST SUPPORT LOADS IMPOSED BY GLAZING SYSTEM AND TRANSFER THEM TO THE BUILDING STRUCTURE.

TYPICAL ANCHORS: SEE ELEV. FOR SPACING

AT HEAD OR JAMBS

TYPE 'A' - 1/4" ULTRACON BY 'ELCO' (Fu=177 KSI, Fy=155 KSI)
 THRU 1BY OR 2BY WOOD BUCKS INTO CONCRETE OR BLOCKS
 1-1/4" MIN. EMBED INTO CONCRETE (HEAD/JAMBS)
 1-1/4" MIN. EMBED INTO GROUT FILLED BLOCKS (JAMBS)
 DIRECTLY INTO CONCRETE OR BLOCKS
 2" MIN. EMBED INTO CONCRETE (HEAD/JAMBS)
 2" MIN. EMBED INTO GROUT FILLED BLOCKS (JAMBS)

ANCHOR EDGE DISTANCES

INTO CONCRETE AND BLOCKS = 2-1/2" MIN.
 INTO WOOD STRUCTURE = 1" MIN.

AT HEAD OR JAMBS

TYPE 'C' - 5/16" ULTRACON BY 'ELCO' (Fu=177 KSI, Fy=155 KSI)
 THRU 1BY OR 2BY WOOD BUCKS INTO CONCRETE OR BLOCKS
 1-1/4" MIN. EMBED INTO CONCRETE (HEAD/JAMBS)
 1-1/4" MIN. EMBED INTO GROUT FILLED BLOCKS (JAMBS)
 DIRECTLY INTO CONCRETE OR BLOCKS
 2" MIN. EMBED INTO CONCRETE (HEAD/JAMBS)
 2" MIN. EMBED INTO GROUT FILLED BLOCKS (JAMBS)

ANCHOR EDGE DISTANCES

INTO CONCRETE AND BLOCKS = 3-1/8" MIN.
 INTO WOOD STRUCTURE = 1-1/4" MIN.

AT HEAD OR JAMBS

TYPE 'D' - 1/4" TEKS OR SELF DRILLING SCREWS (GRADE 5 CRS)
 INTO MIAMI-DADE COUNTY APPROVED MULLIONS OR
 INTO METAL STRUCTURES (HEAD/JAMBS)
 (3) THREADS MIN. PENETRATION BEYOND SUBSTRATE
 ALUMINUM: 1/8" THK. MIN. (6063-T5 MIN.)
 STEEL: 1/8" THK. MIN. (Fy = 36 KSI MIN.)
 (STEEL IN CONTACT WITH ALUMINUM TO BE PLATED OR PAINTED)

ANCHOR EDGE DISTANCES

INTO METAL STRUCTURE = 1/2" MIN.

AT SILL

TYPE 'A1' - 1/4" X 1-3/4" ULTRACON BY 'ELCO' (Fu=177 KSI, Fy=155 KSI)
 DIRECTLY INTO CONCRETE (FOR STD. AND HIGH THRESHOLD)
 WITH 1-1/2" MIN. EMBED INTO CONCRETE

ANCHOR EDGE DISTANCES

INTO CONCRETE = 2-1/2" MIN.

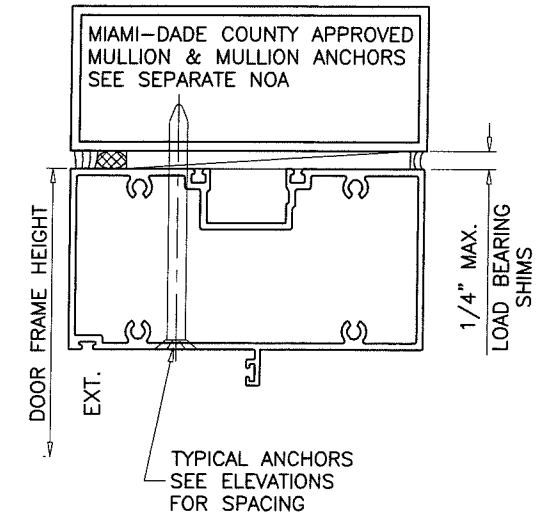
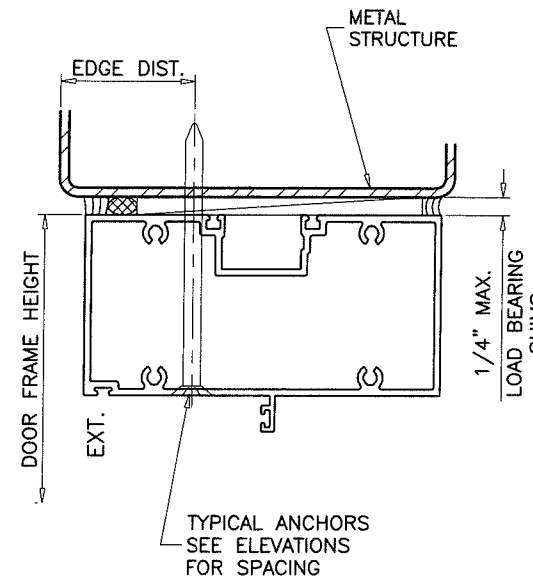
AT SILL

TYPE 'C1' - 5/16" X 2" ULTRACON BY 'ELCO' (Fu=177 KSI, Fy=155 KSI)
 DIRECTLY INTO CONCRETE (FOR SADDLE THRESHOLD)
 WITH 1-1/2" MIN. EMBED INTO CONCRETE

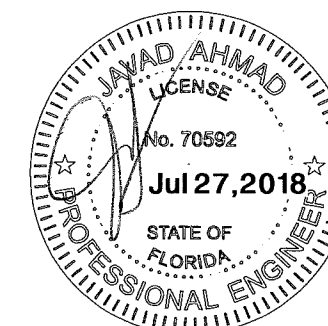
ANCHOR EDGE DISTANCES

INTO CONCRETE = 3-1/8" MIN.

WOOD AT HEAD OR JAMBS SG = 0.55 MIN.
 CONCRETE AT HEAD, SILL OR JAMBS f'c = 3000 PSI MIN.
 C-90 GROUT FILLED BLOCK AT JAMBS f'm = 2000 PSI MIN.



PRODUCT REVISED
 as complying with the Florida
 Building Code
 Acceptance No. 15-0314-07
 Expiration Date 12/24/23
 Jayad Ahmad
 Director Product Control



af c

AL-FAROOQ CORPORATION
 ENGINEERS & PRODUCT DEVELOPMENT
 9360 SUNSET DRIVE, SUITE 220
 MIAMI, FLORIDA 33173
 TEL. (305) 264-8100 FAX. (305) 262-6978
 (C.A.N. 3538)

SERIES-M6500 ALUM OUTSWING FRENCH DOOR (L.M.I.)

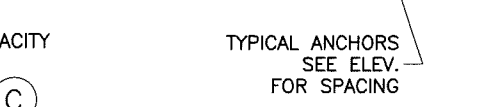
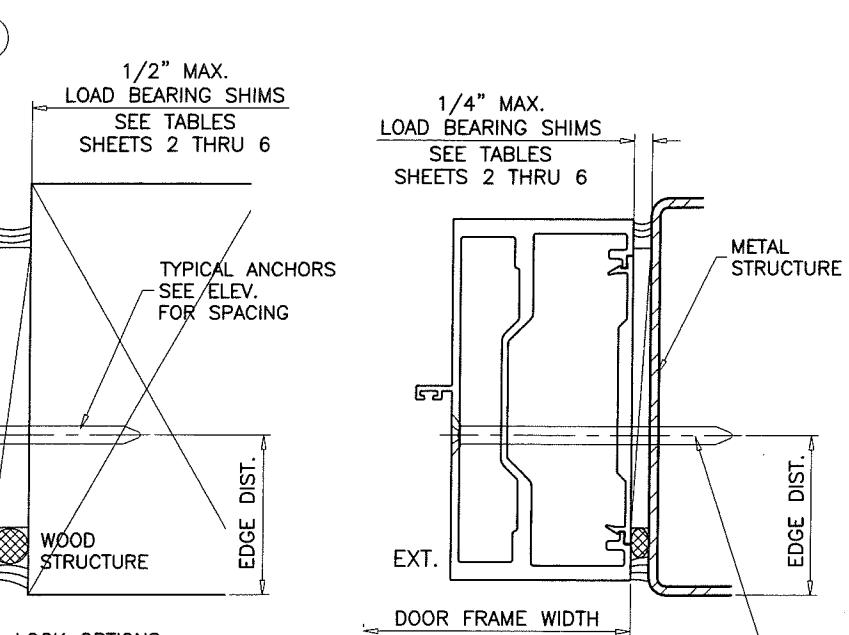
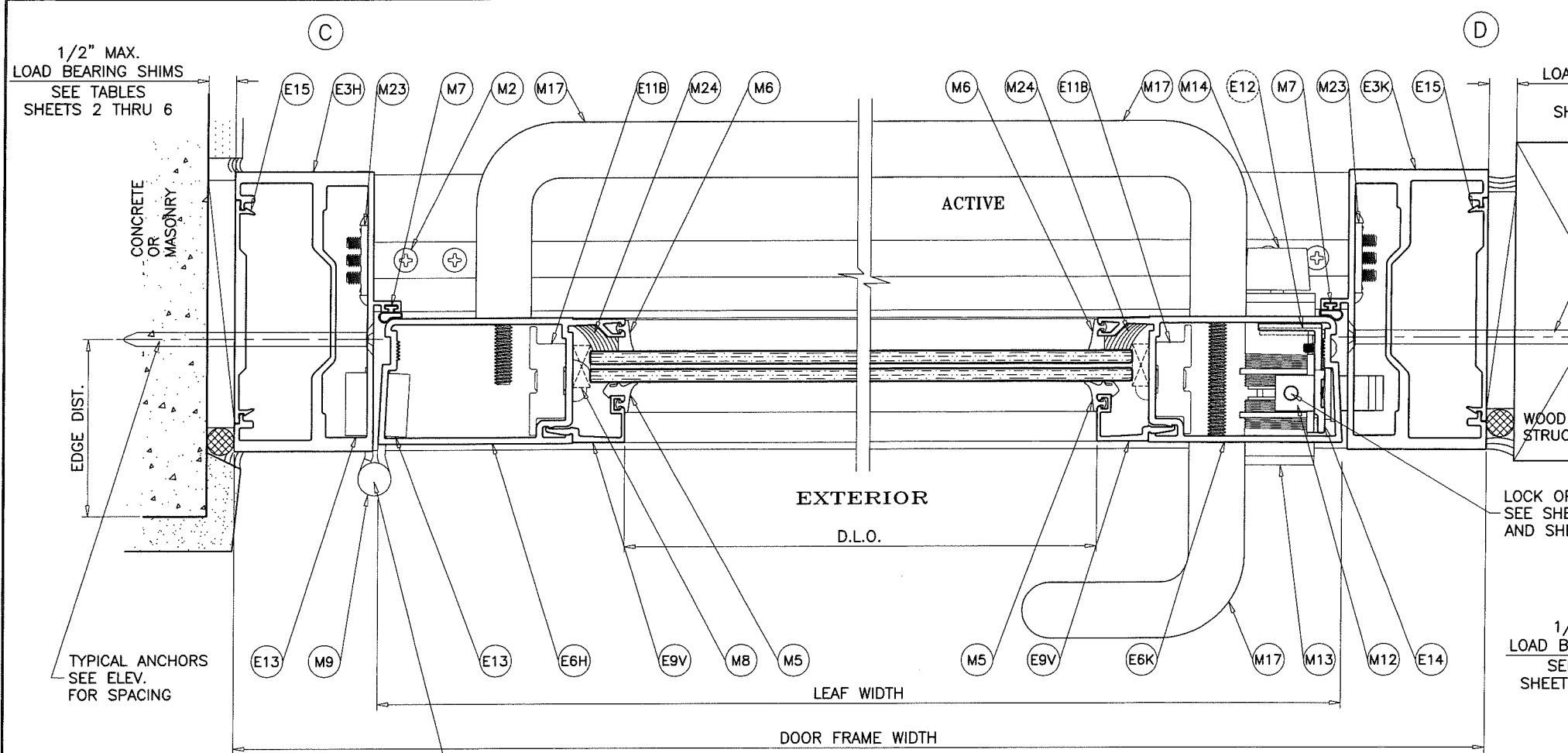
MR. GLASS DOORS & WINDOWS INC.
 8120 N.W. 84 STREET
 MEDLEY, FL. 33166
 TEL. (305) 470-8284 FAX. (305) 470-8285

no	date	description
A	03.29.12	NO CHANGE THIS SHEET
B	03.16.16	UPDATED TO 2014 FBC
C	04.04.18	GENERAL REV.
D	07.27.18	REV. PER RER COMMENTS

revisions:

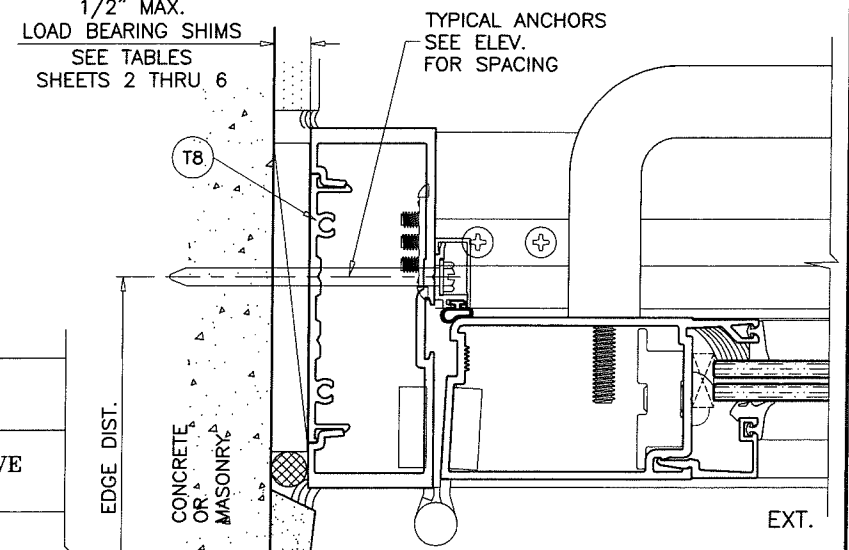
date: 07-15-11
 scale: 1/2"=1'-0"
 dr. by: TARIQ
 chk. by:

drawing no.
W11-40
 sheet 10 of 18

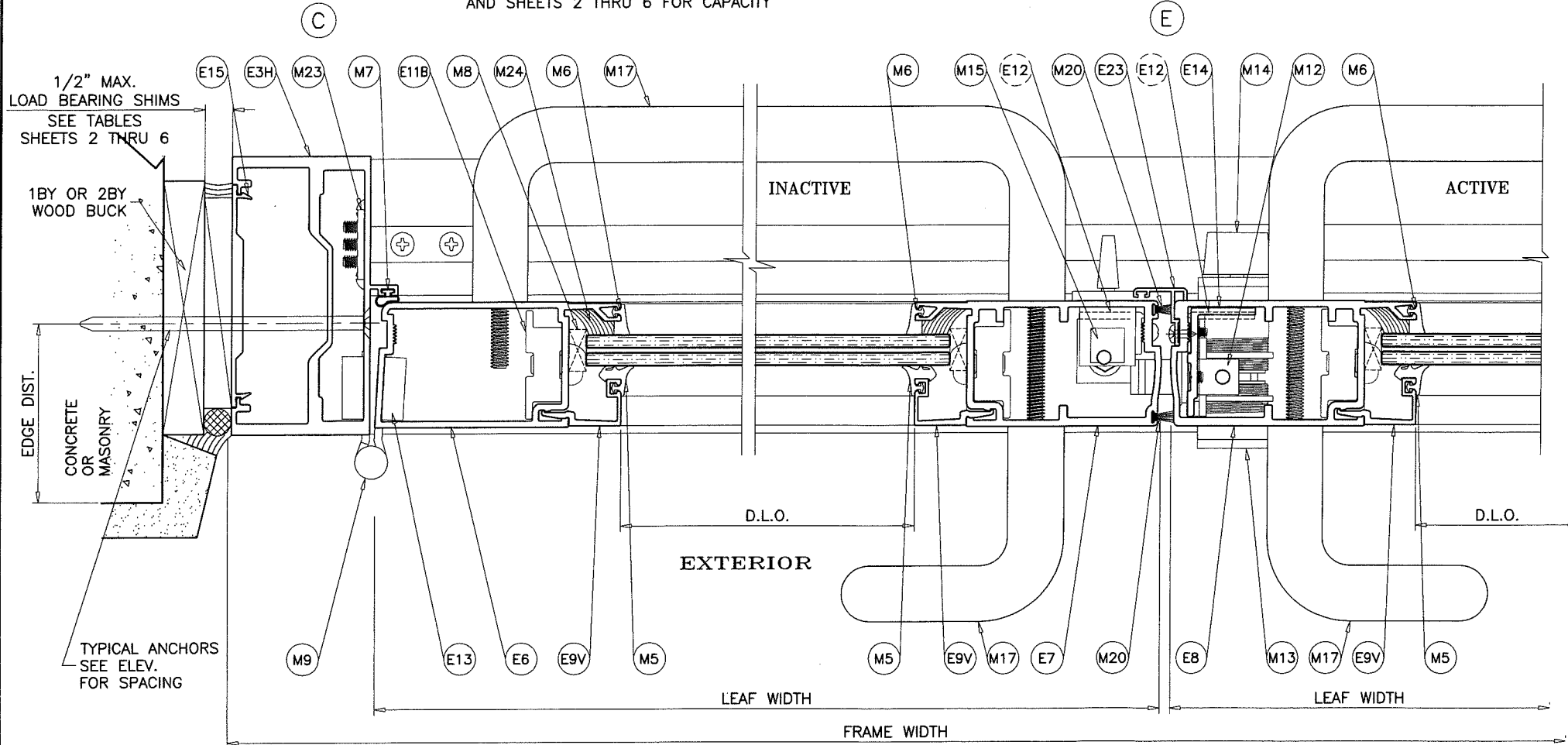


LOCK OPTIONS
SEE SHEET 16 FOR DESCRIPTION
AND SHEETS 2 THRU 6 FOR CAPACITY

TYPICAL ANCHORS
SEE ELEV.
FOR SPACING

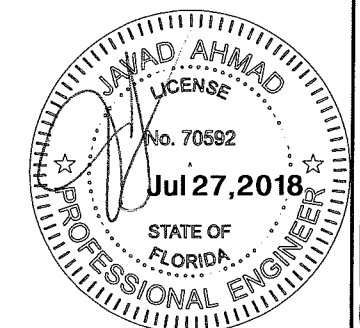


DOOR JAMB
SERIES-MG5000 FRAME OPTION



DOORS SHOWN WITH SERIES-9500 FRAMES CAN
ALSO BE USED WITH SERIES-MG5000 FRAMES.

PRODUCT REVISED
as complying with the Florida
Building Code
Acceptance No. 18-0314.07
Expiration Date 12/24/23
Ishraq A. Chaudhry
Quality Control



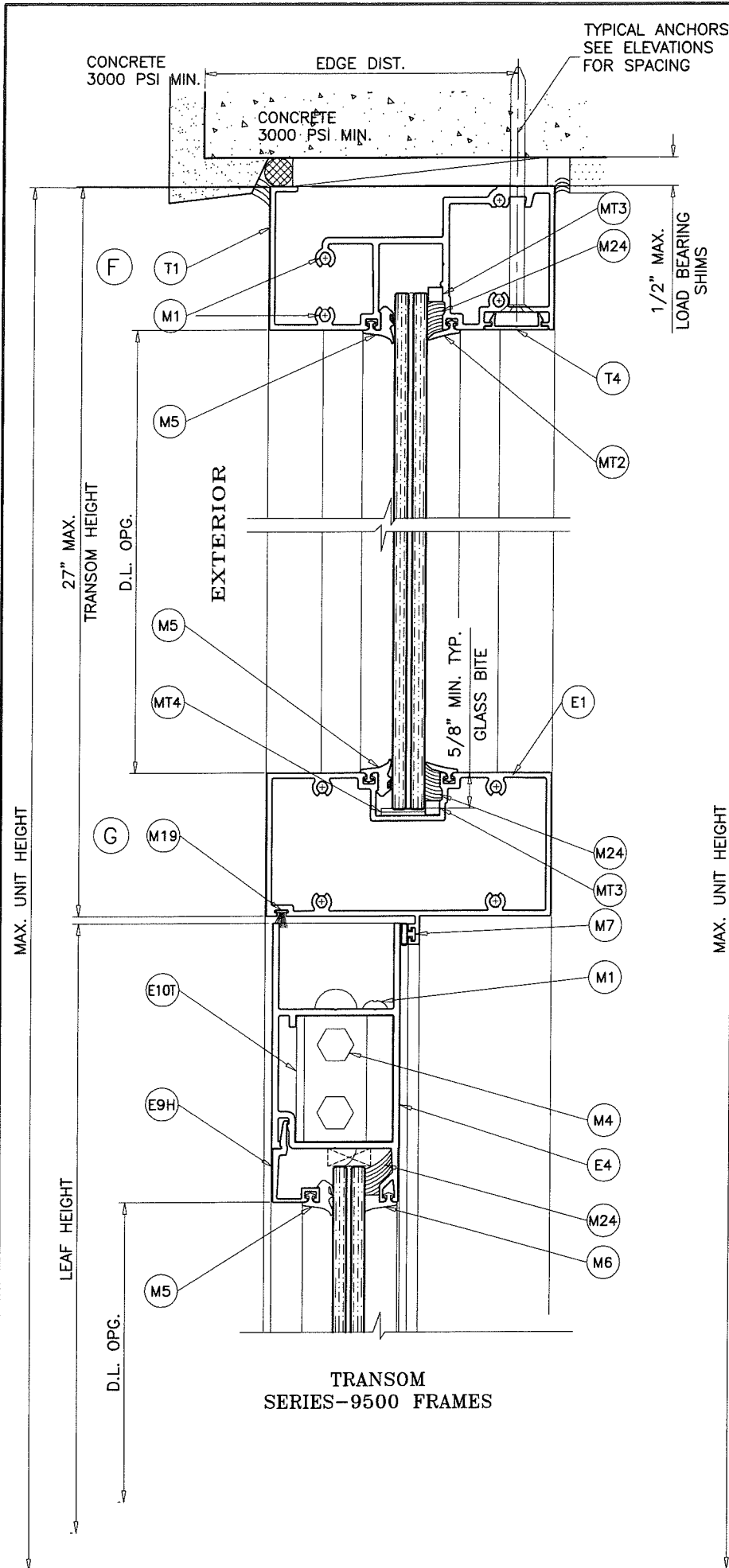
af c
AL-FAROOQ CORPORATION
ENGINEERS & PRODUCT DEVELOPMENT
9360 SUNSET DRIVE, SUITE 220
MIAMI, FLORIDA 33173 (C.A.N. 3538)
TEL. (305) 264-8100 FAX. (305) 262-6978
COMP-ANL\W11-40MG

SERIES-MG5000 ALUM OUTSWING FRENCH DOOR (L.M.I.)
MR. GLASS DOORS & WINDOWS INC.
8120 N.W. 84 STREET
MEDLEY, FL. 33166
TEL. (305) 470-8284 FAX. (305) 470-8285

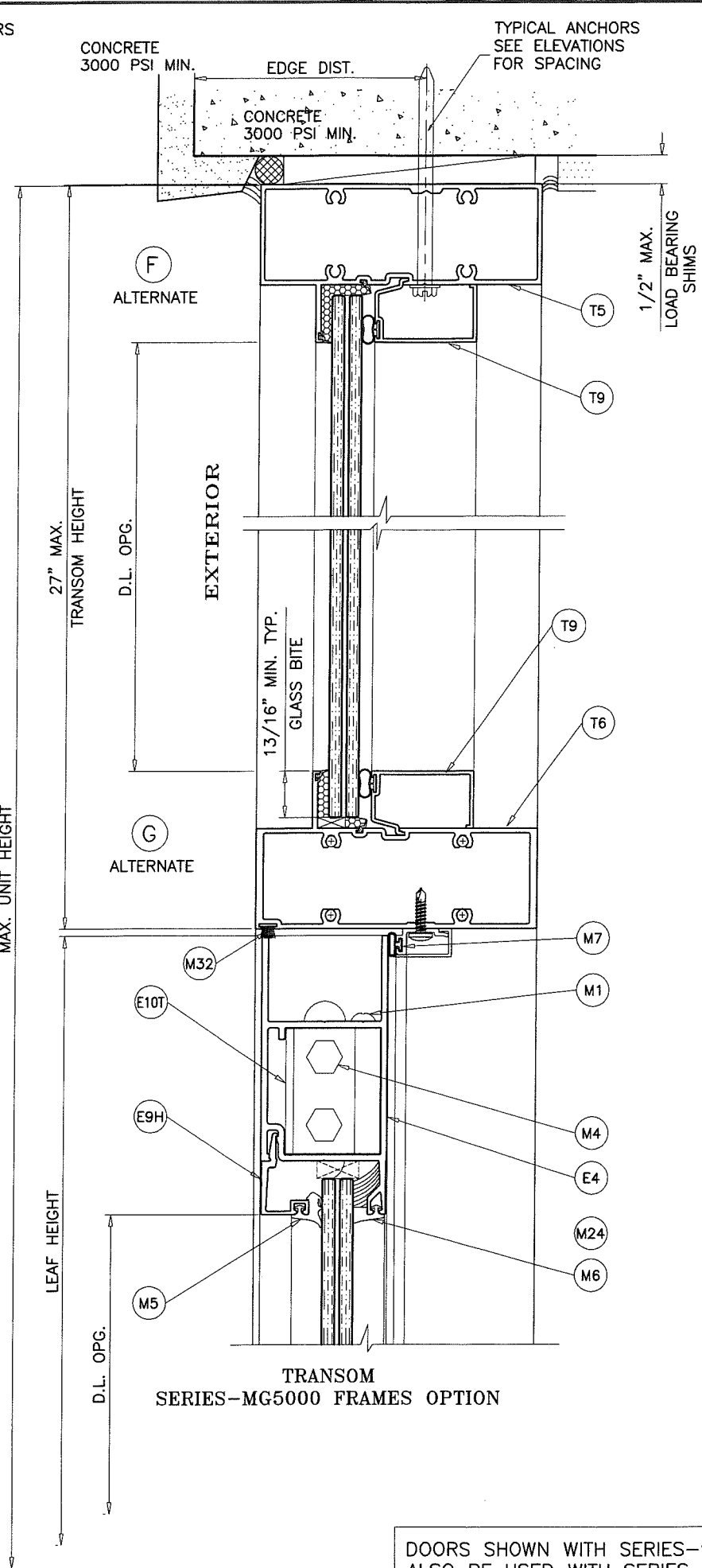
no	date	by	description
A	03.29.12		NO CHANGE THIS SHEET
B	03.16.16		UPDATED TO 2014 FBC
C	04.04.18		GENERAL REV.
D	07.27.18		NO CHANGE THIS SHEET

date: 07-15-11
scale: 3/8" = 1"
dr. by: TARIQ
chk. by:

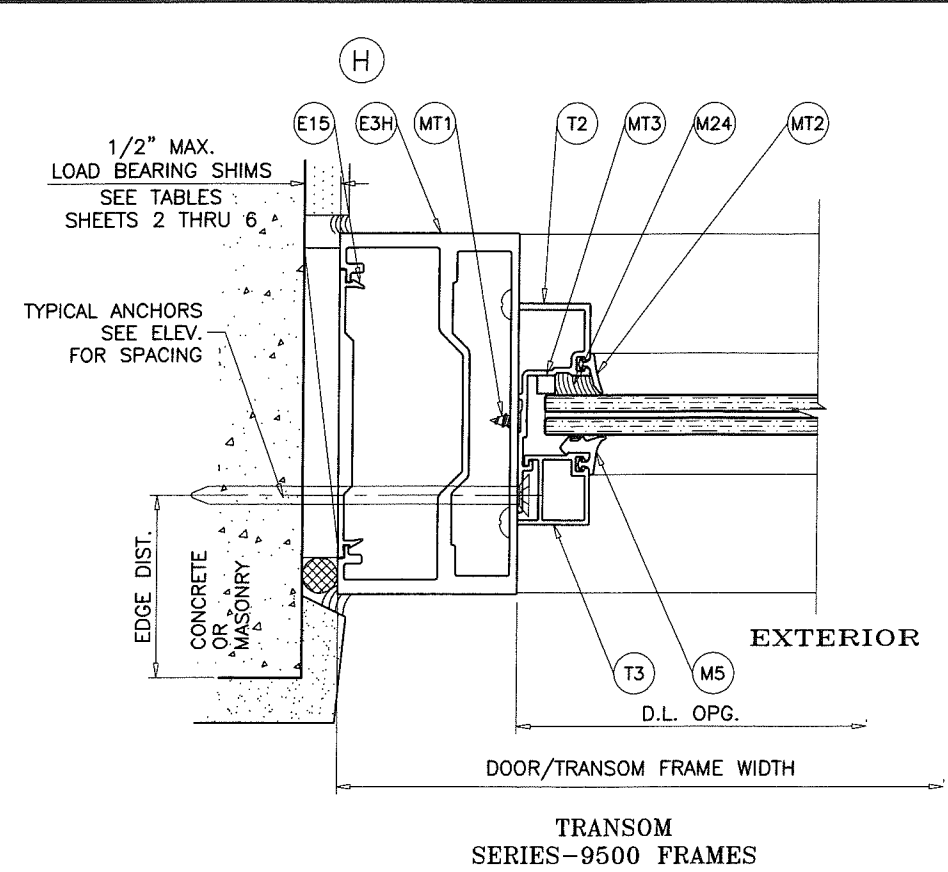
drawing no.
W11-40
sheet 11 of 18



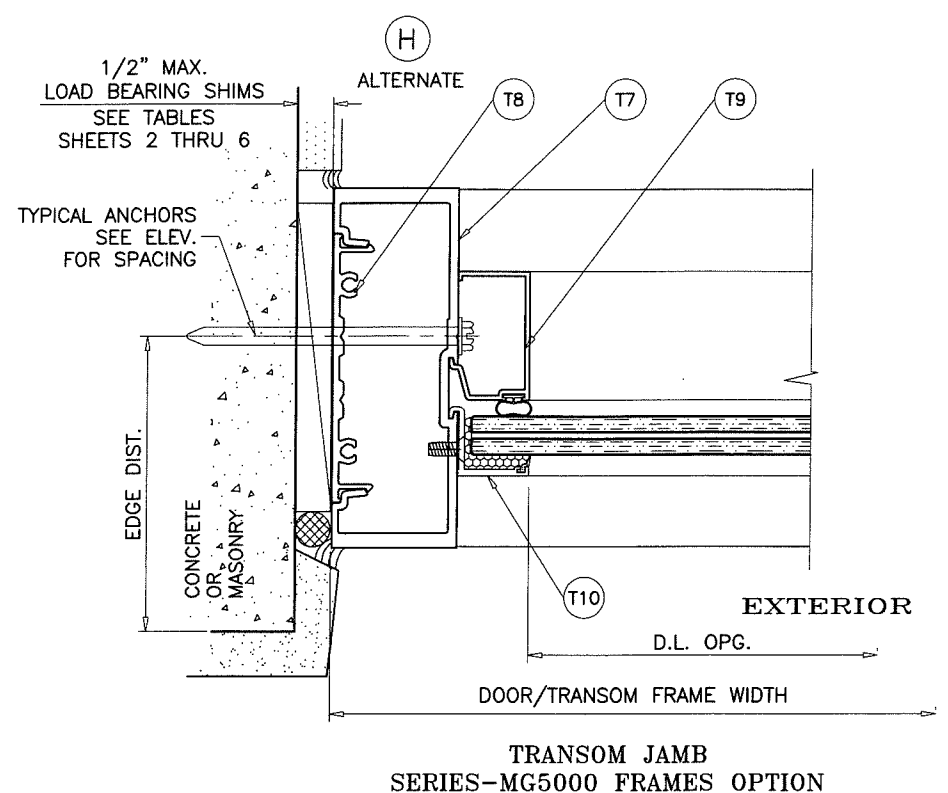
TRANSOM
SERIES-9500 FRAMES



TRANSOM
SERIES-MG5000 FRAMES OPTION

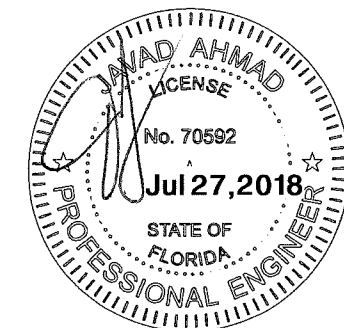


TRANSOM
SERIES-9500 FRAMES



TRANSOM JAMB
SERIES-MG5000 FRAMES OPTION

PRODUCT REVISED
as complying with the Florida
Building Code
Acceptance No. 18-03/4-07
Expiration Date 12/29/23
S. Ishiguro, L.L. Hamada
Product Control



DOORS SHOWN WITH SERIES-9500 FRAMES CAN
ALSO BE USED WITH SERIES-MG5000 FRAMES.

af c

AL-FAROOQ CORPORATION
ENGINEERS & PRODUCT DEVELOPMENT
9360 SUNSET DRIVE, SUITE 220 (C.A.N. 3588)
MIAMI, FLORIDA 33173 TEL. (305) 264-8100 FAX. (305) 264-6978
COMP-ANL\W11-40MG

SERIES-MG500 ALUM OUTSWING FRENCH DOOR (L.M.I.)

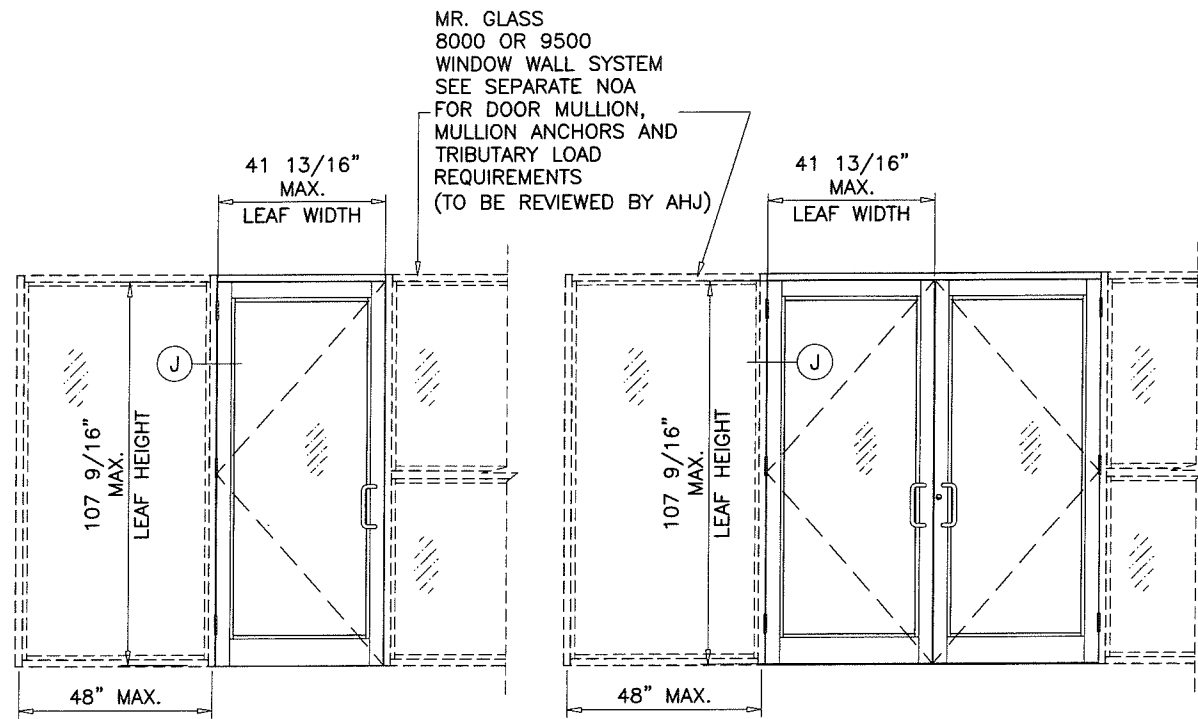
MR. GLASS DOORS & WINDOWS INC.
8120 N.W. 84 STREET
MEDLEY, FL. 33166
TEL. (305) 470-8284 FAX. (305) 470-8285

no	date	by	description
A	03.29.12		NO CHANGE THIS SHEET
B	03.16.16		UPDATED TO 2014 FBC
C	04.04.18		GENERAL REV.
D	07.27.18		NO CHANGE THIS SHEET

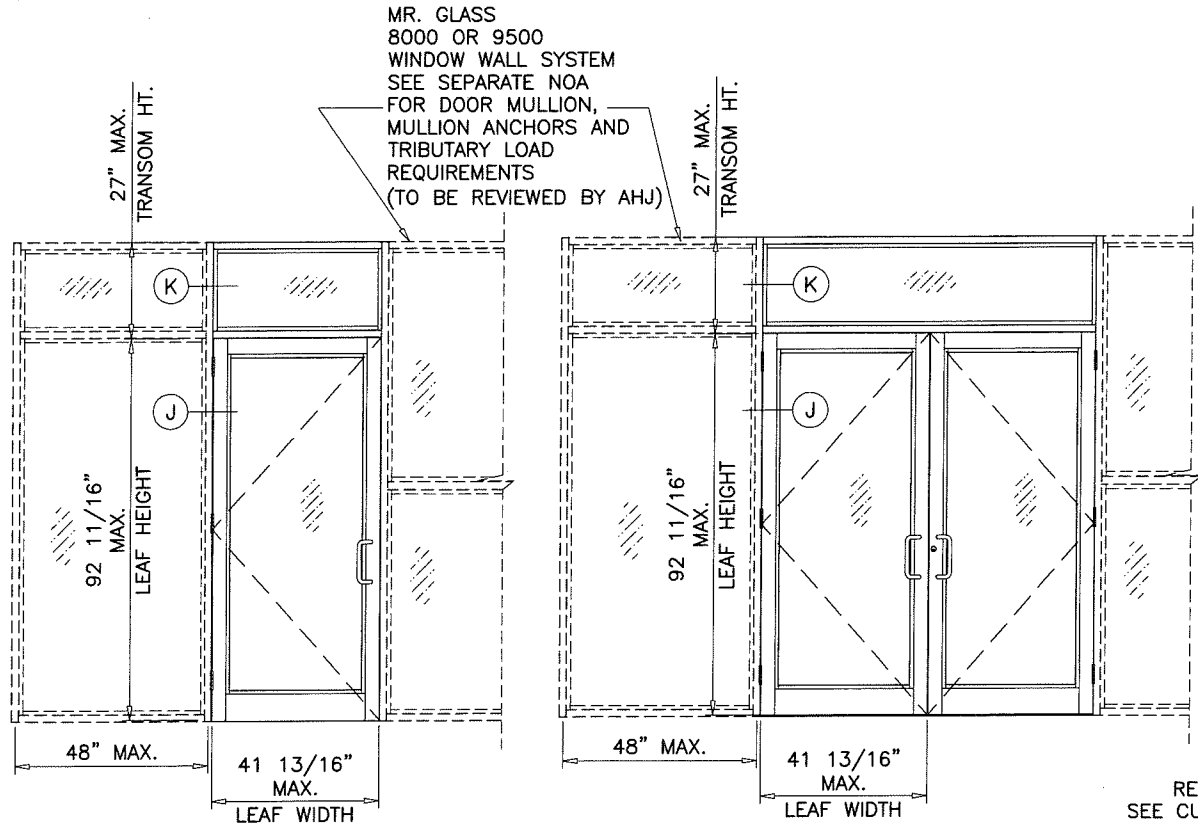
date: 07-15-11
scale: 3/8" = 1"
dr. by: TARIQ
chk. by:

drawing no.
W11-40

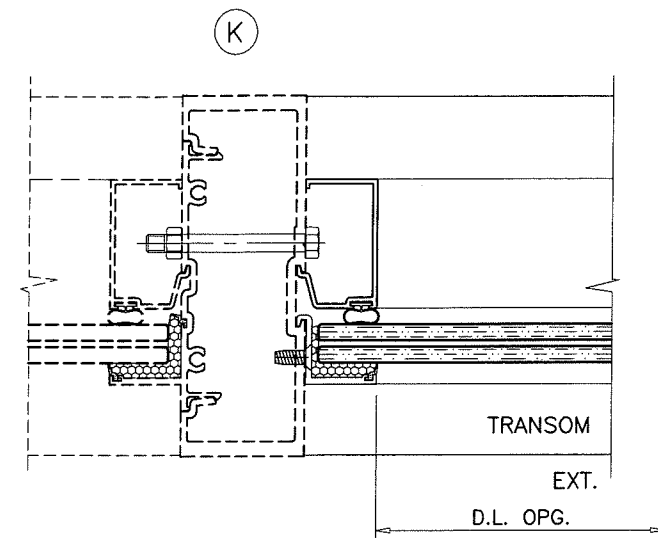
sheet 12 of 18



MR. GLASS
8000 OR 9500
WINDOW WALL SYSTEM
SEE SEPARATE NOA
FOR DOOR MULLION,
MULLION ANCHORS AND
TRIBUTARY LOAD
REQUIREMENTS
(TO BE REVIEWED BY AHJ)

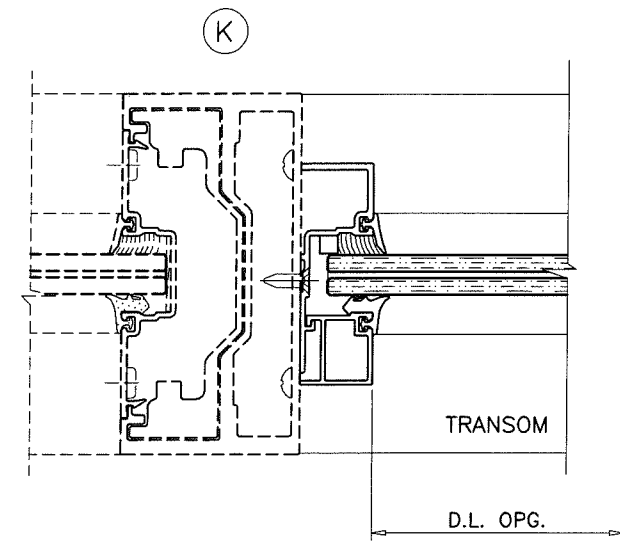


MR. GLASS
8000 OR 9500
WINDOW WALL SYSTEM
SEE SEPARATE NOA
FOR DOOR MULLION,
MULLION ANCHORS AND
TRIBUTARY LOAD
REQUIREMENTS
(TO BE REVIEWED BY AHJ)



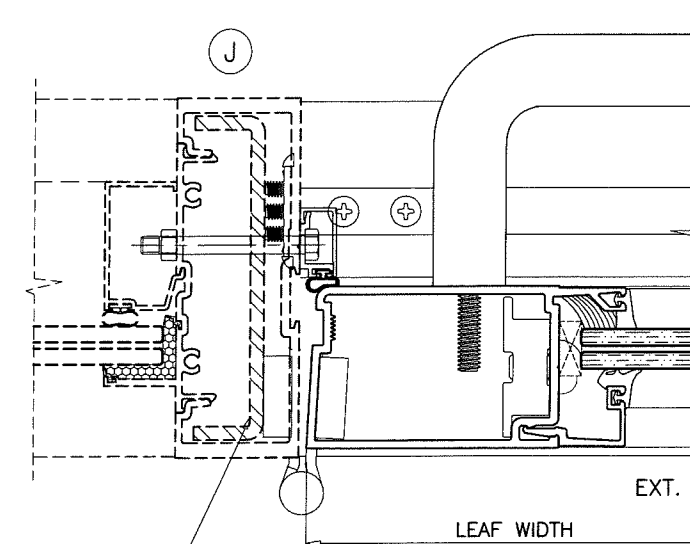
MIAMI-DADE COUNTY APPROVED
SERIES MG5000 WINDOW WALL SYSTEM BY 'MR. GLASS'
UNDER SEPARATE APPROVAL.

LOWER VALUES FROM DOOR CAPACITY CHARTS OR
WINDOW WALL APPROVAL WILL APPLY TO ENTIRE SYSTEM.

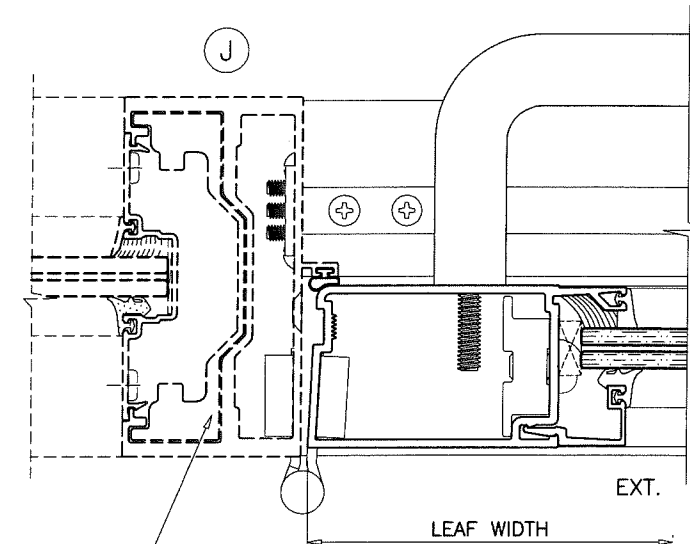


MIAMI-DADE COUNTY APPROVED
SERIES 9500 WINDOW WALL SYSTEM BY 'MR. GLASS'
UNDER SEPARATE APPROVAL.

LOWER VALUES FROM DOOR CAPACITY CHARTS OR
WINDOW WALL APPROVAL WILL APPLY TO ENTIRE SYSTEM.

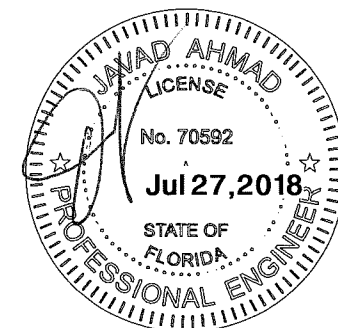


REINFORCING WILL VARY
SEE CURRENT APPROVAL OF
E.S. SERIES MG5000
WINDOW WALL SYSTEM
FOR DETAILS



REINFORCING WILL VARY
SEE CURRENT APPROVAL OF
E.S. SERIES 9500
WINDOW WALL SYSTEM
FOR DETAILS

PRODUCT REVISED
as complying with the Florida
Building Code
Acceptance No. 18-0314.07
Expiration Date 12/24/23
E. Ishag I. Ghannouchi
Miami Dade Product Control



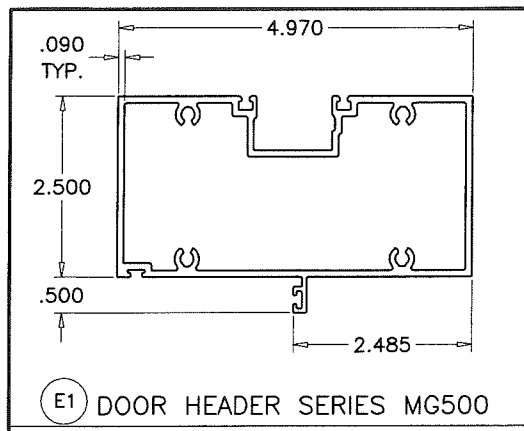
af c
AL-FAROOQ CORPORATION
ENGINEERS & PRODUCT DEVELOPMENT
9360 SUNSET DRIVE, SUITE 220
MIAMI, FLORIDA 33173 (C.A.N. 3598)
TEL. (305) 264-8100 FAX. (305) 262-6978
COMP-ANL\W11-40MG

SERIES-MG500 ALUM OUTSWING FRENCH DOOR (L.M.I.)
MR. GLASS DOORS & WINDOWS INC.
8120 N.W. 84 STREET
MEDLEY, FL. 33166
TEL. (305) 470-8284 FAX. (305) 470-8285

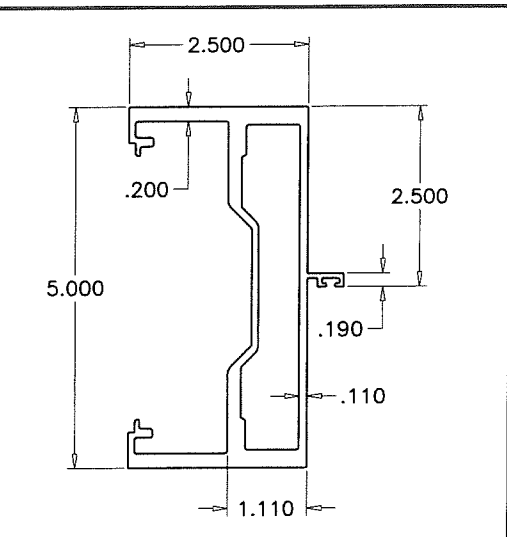
no.	date	description
A	03.29.12	NO CHANGE THIS SHEET
B	03.16.16	UPDATED TO 2014 FBC
C	04.04.18	GENERAL REV.
D	07.27.18	REV. PER PER COMMENTS

date: 07-15-11
scale: 1/2"=1'-0"
dr. by: TARIQ
chk. by:

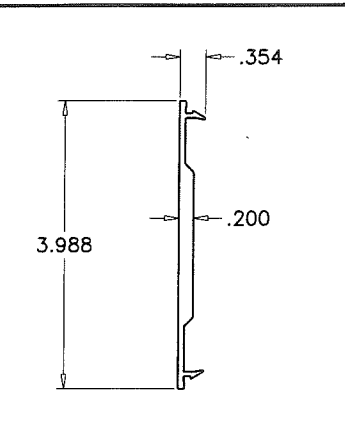
drawing no.
W11-40
sheet 13 of 18



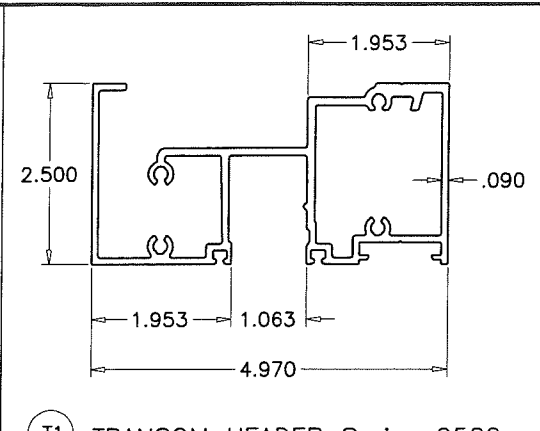
E1 DOOR HEADER SERIES MG500



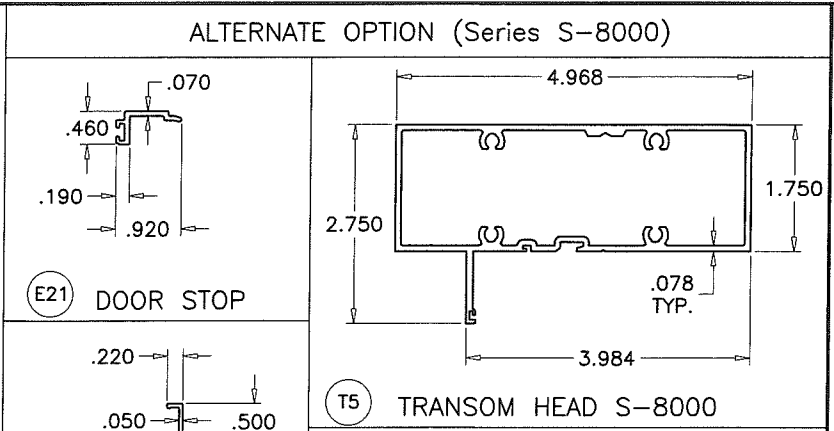
E3 DOOR JAMB SERIES MG500



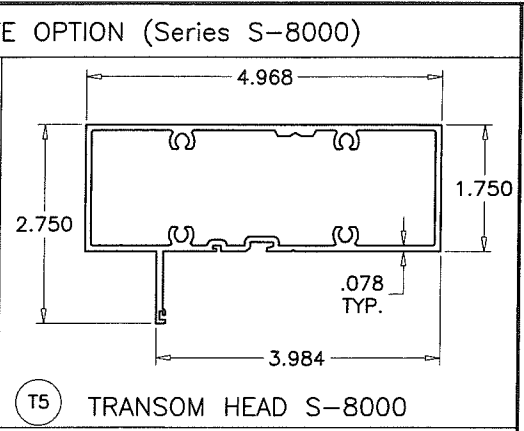
E15 JAMB FILLER



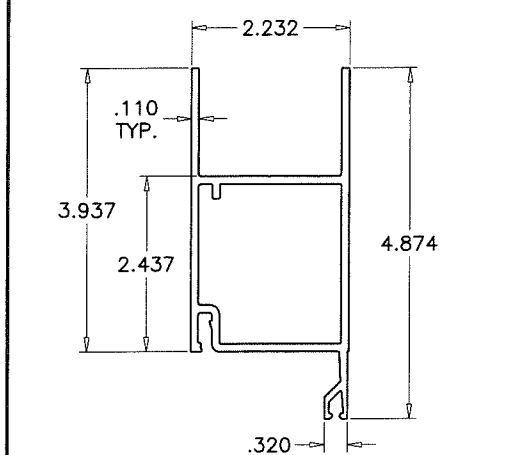
T1 TRANSOM HEADER Series 9500



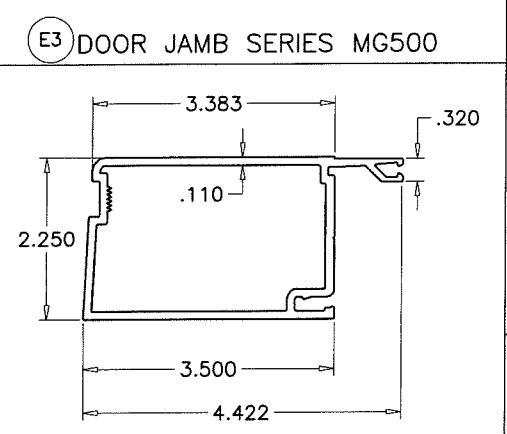
E21 DOOR STOP



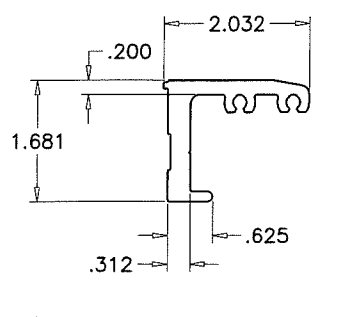
T5 TRANSOM HEAD S-8000



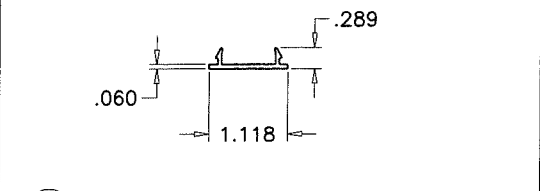
E4 TOP RAIL



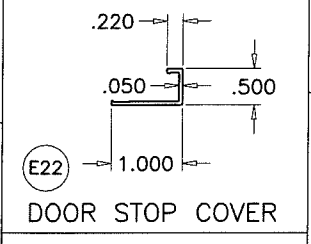
E6 HINGE/LOCK STILE



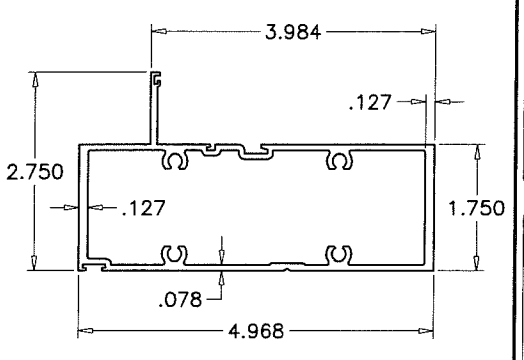
E10 CORNER BLOCK



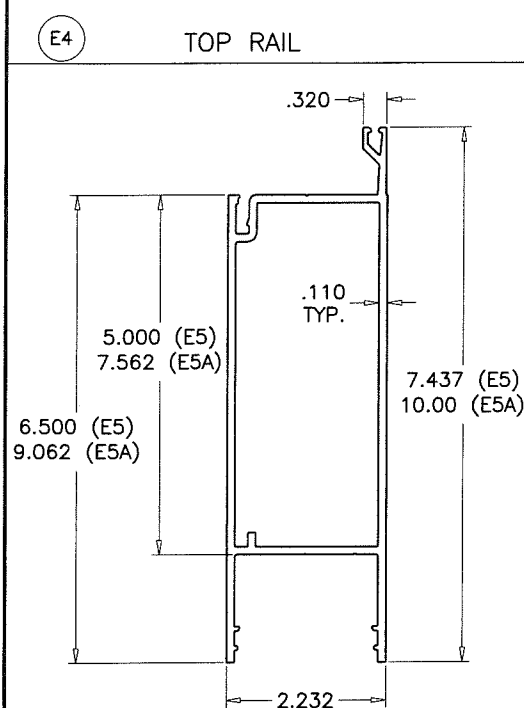
T4 HEAD COVER



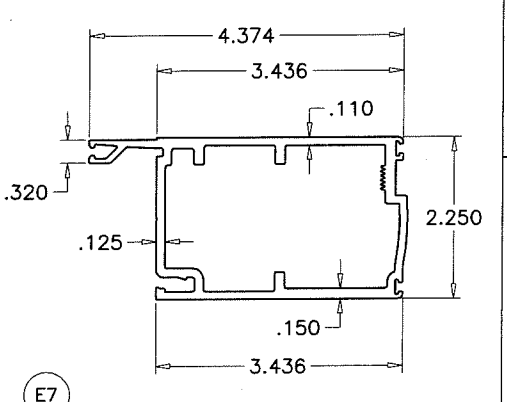
E22 DOOR STOP COVER



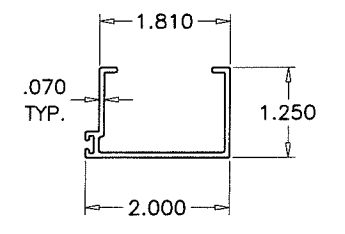
T6 HORIZONTAL AT DOOR S-8000



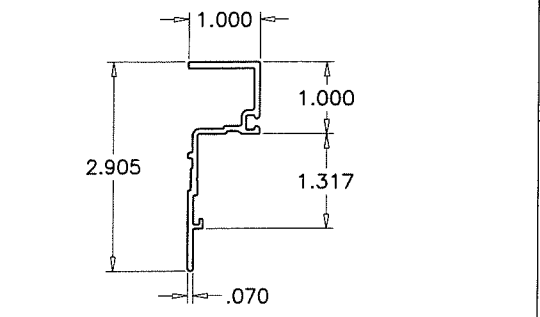
E5 STD. BOTTOM RAIL
E5A HI-PROFILE BOTTOM RAIL



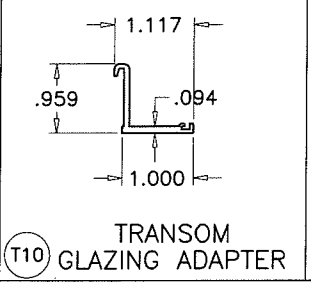
E7 MEETING STILE - INACTIVE LEAF



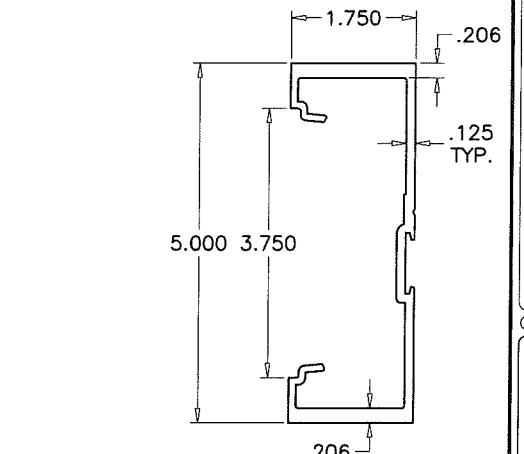
E18 CLOSURE DOOR STOP



T2 TRANSOM ADAPTER

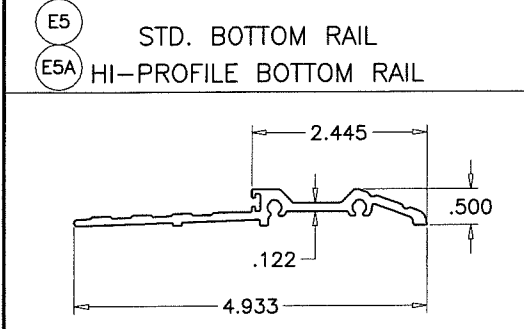


T10 TRANSOM GLAZING ADAPTER

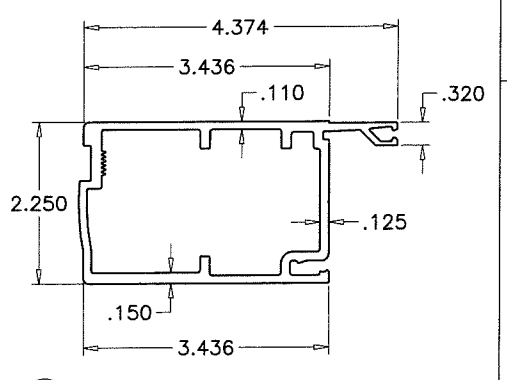


T8 JAMB FILLER S-8000

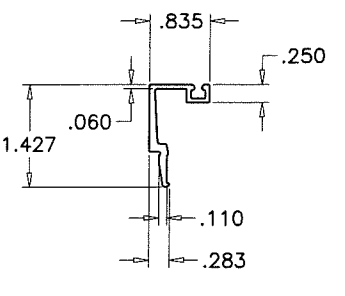
T7 TRANSOM JAMB S-8000



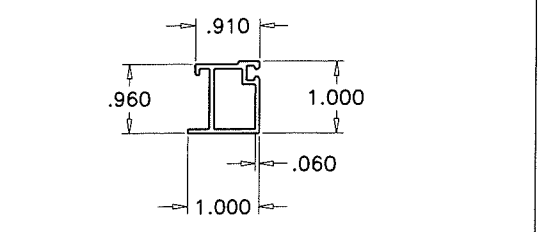
E2 THRESHOLD ES9014



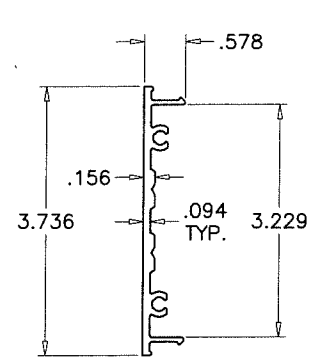
E8 MEETING STILE - ACTIVE LEAF



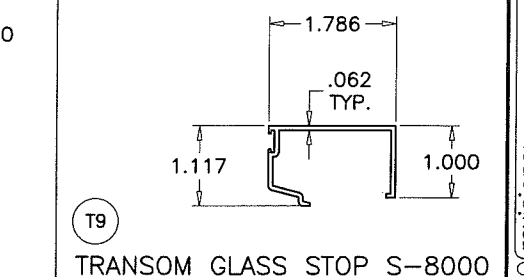
E9 GLASS STOP



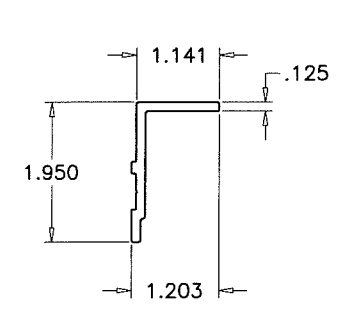
T3 TRANSOM GLASS STOP



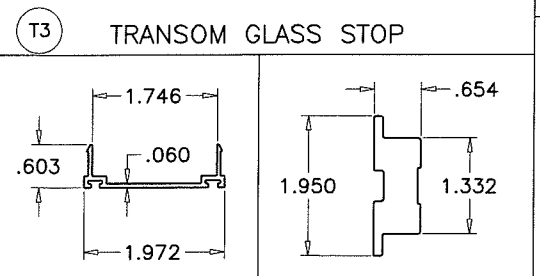
E9.1 GLASS STOP (INSUL. LAM. GLASS)



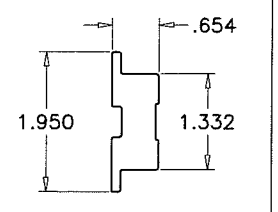
T9 TRANSOM GLASS STOP S-8000



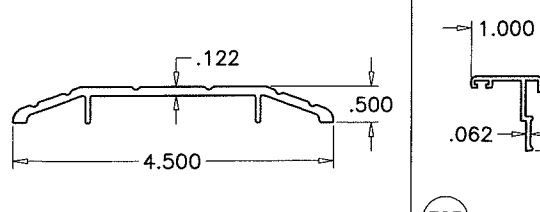
E14 LOCK BACK UP PLATE



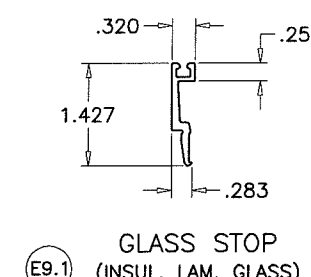
E20 DOOR SWEEP



E11 CORNER PLATE

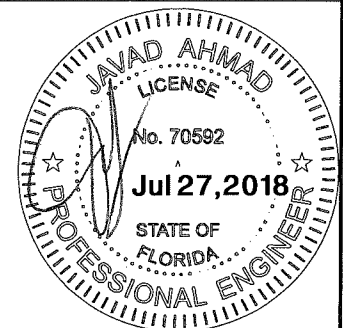


E2A ALTERNATE THRESHOLD ES9015



E23 ASTRAGAL STILE

PRODUCT REVIEWED as complying with the Florida Building Code Acceptance No. 18-0314.07 Expiration Date 12/24/23



AL-FAROOQ CORPORATION
ENGINEERS & PRODUCT DEVELOPMENT
9360 SUNSET DRIVE, SUITE 220
MIAMI, FLORIDA 33173 (C.A.N. 3538)
TEL. (305) 264-8100 FAX. (305) 262-6978
COMP-ANL\W11-40MG

SERIES-MG500 ALUM OUTSWING FRENCH DOOR (L.M.I.)
MR. GLASS DOORS & WINDOWS INC.
8120 N.W. 84 STREET
MEDLEY, FL. 33166
TEL. (305) 470-8284 FAX. (305) 470-8285

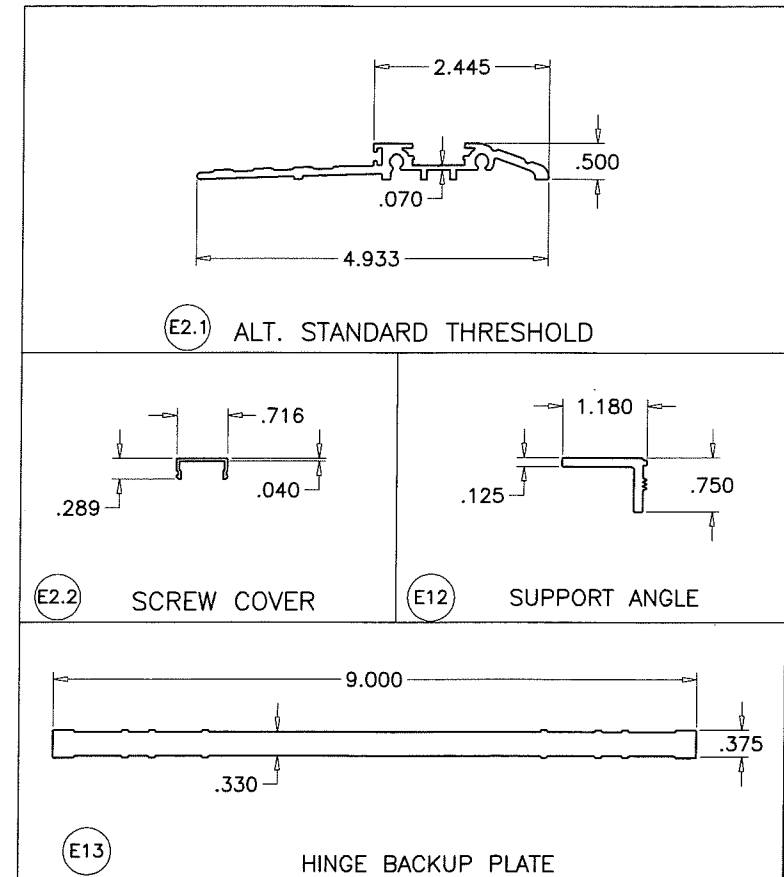
no	date	description
A	03.29.12	NO CHANGE THIS SHEET
B	03.16.16	UPDATED TO 2014 FBC GENERAL REV.
C	04.04.18	NO CHANGE THIS SHEET
D	07.27.18	NO CHANGE THIS SHEET

date: 07-15-11
scale: 3/8" = 1"
dr. by: TARIQ
chk. by:

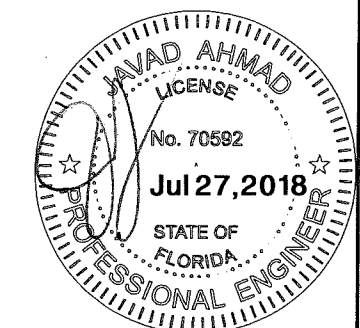
drawing no. **W11-40**
sheet 14 of 18

ITEM #	PART #	QUANTITY	DESCRIPTION	MATERIAL	MANF./SUPPLIER/REMARKS
E1	ES-9012	1	DOOR HEADER	6061-T6	-
E2	ES-9014	1	STANDARD THRESHOLD	6063-T6	-
E2.1	ES-9000-30	1	ALT. STANDARD THRESHOLD	6063-T6	-
E2.2	ES-6011	1	SCREW COVER	6063-T6	-
E2A	ES-9015	1	SADDLE THRESHOLD	6063-T6	-
E2B	ES-9026	1	HIGH THRESHOLD	6063-T6	-
E2C	ES-9027	1	THRESHOLD COVER	6063-T5	-
E3H	ES-9013	2	DOOR JAMB - HINGE	6063-T6	-
E4	ES-9001	2	TOP RAIL	6063-T5	-
E5	ES-9002	2	STD. BOTTOM RAIL	6063-T6	-
E5A	ES-9000-031	2	HI-PROFILE BOTTOM RAIL	6063-T6	-
E6H	ES-9003	2	HINGE/LOCK STILE	6063-T5	-
E7	ES-9006	1	MEETING STILE - INACTIVE LEAF	6063-T5	-
E8	ES-9007	1	MEETING STILE - ACTIVE LEAF	6063-T5	-
E9H	ES-9004	4	HORIZONTAL GLASS STOP	6063-T5	-
E9V	ES-9004	4	VERTICAL GLASS STOP	6063-T5	-
E9.1	ES-9029	4	GLASS STOP (INSUL. LAM. GLASS)	6063-T5	-
E10T	ES-9008	4	CORNER BLOCK -TOP	6063-T5	-
E10B	ES-9008	4	CORNER BLOCK - BOTTOM	6063-T5	-
E11T	ES-9009	4	CORNER PLATE - TOP	6063-T5	-
E11B	ES-9009	4	CORNER PLATE - BOTTOM	6063-T5	-
E12	ES-9010	4	SUPPORT ANGLE	6063-T5	3/4" X 1" X 1/8" X 9" LONG
E13	ES-9011	AS RQD.	HINGE BACKUP PLATE REINFORCEMENT	6063-T5	1-1/4" X 9" X 3/8" THK.
E13A	12-24 X 1/2"	4/ PLATE	HINGE BACKUP PLATE FASTENERS	ST. STEEL	FH MACHINE SCREWS
E14	ES-9020	1	LOCK BACKUP PLATE REINFORCEMENT	6063-T5	10" LONG
E14A	8-32 X 1/2"	3/ PLATE	LOCK PLATE FASTENERS	ST. STEEL	PH MACHINE SCREWS
E15	ES-9016	AS RQD.	JAMB FILLER	6063-T6	-
E16	ES-9017	AS RQD.	REINFORCEMENT	6063-T6	-
E17	ES-9021	1/ CLOSER	CLOSER SUPPORT CLIPS (PAIR)	6063-T5	-
E18	ES-9022	1	CLOSER DOOR STOP	6063-T5	-
E19	ES-9023	1/ CLOSER	CLOSER COVER PLATE	6063-T5	-
E20	ES-9005	-	DOOR SWEEP	-	-
E21	ES-9051	-	DOOR STOP	-	-
E22	ES-9052	-	DOOR STOP COVER	-	-
E23	ES-9060	-	ASTRAGAL STILE	6063-T5	SECURED WITH #8 X 1/2" SMS AT 12" O.C.
M1	-	28	#12 x 1" P.H. ST/ST SMS	-	-
M2	-	AS RQD.	#12 - 24 x 1" F.H. ST/ST MS	-	-
M3	-	18	#8 - 32 x 1/2" P.H. ST/ST MS	-	-
M4	-	16	3/8" - 16 x 1" HEX. BOLT	-	-
M5	ES-9000-G01	AS RQD.	WEDGE GASKET	EPDM	DUROMETER 70±5 SHORE A
M6	ES-9000-G02	AS RQD.	SPACER GASKET	EPDM	DUROMETER 70±5 SHORE A
M7	ES-9000-G03	AS RQD.	BULB VINYL, BASE-POLYPROPYLENE, BULB-TPE	-	ULTRAFAB, DUROMETER 73±5 SHORE A
M8	ES-9000-B01	AS REQD.	SETTING BLOCKS (LAM. GLASS) AT 1/4 POINTS	EPDM	DUROMETER 80±5 SHORE A
M8.1	ES-9000-B02A	AS REQD.	SETTING BLOCKS (INSUL. LAM. GLASS) AT 1/4 POINTS	EPDM	DUROMETER 80±5 SHORE A
M9	-	AS RQD.	HINGE 4 1/2" x 4"	-	-
M9A	-	AS RQD.	OFFSET PIVOT HINGE	ALUMINUM	-
M12	-	1	3 POINT LOCK	-	-
M13	-	1	KEY CYLINDER	-	-
M14	-	1	THUMBTURN	-	-
M15	-	1	2 POINT LOCK	-	-
M16	-	1/ LEAF	DOOR CLOSURE	-	-
M17	-	2	PUSH - PULL	-	-
M19	W13273NK	AS RQD.	PILE W'STRIPPING - HEADER	WOOL	-
M20	W23451NK	AS RQD.	PILE - MTG STILES	WOOL	-
M22	-	1/ CLOSER	CHANNEL SPACER 5/8" X 1-7/8"	-	-
M23	-	2	THRESHOLD CLIP	-	-
M24	-	AS RQD.	STRUCTURAL SILICONE	-	-
M25	-	AS RQD.	SILICONE	-	-
M26	-	2/ CLOSER	1/4 - 20 x 2" HEX. BOLT	-	-
M27	-	3/ CLOSER	#10 x 1" P.H. ST/ST SMS	-	-
M28	-	6/ CLOSER	#10 x 1" F.H. ST/ST SMS	-	-
M29	-	3/ CLOSER	#10 x 1" F.H. ST/ST SMS	-	-
M30	-	AS RQD.	#10 x 1 1/2" F.H. ST/ST SMS, AT 23" O.C.	ST. STEEL	-
M31	W13351NK	AS RQD.	PILE - DOOR SWEEP	WOOL	-
M32	W13275NK	AS RQD.	PILE - HEADER	WOOL	-

ITEM #	PART #	QUANTITY	DESCRIPTION	MATERIAL	MANF./SUPPLIER/REMARKS
T1	ES-9506	-	TRANSOM HEADER Series 9500	6063-T6	-
T2	ES-9019	-	TRANSOM ADAPTER	6063-T5	-
T3	ES-9018	-	TRANSOM GLASS STOP	6063-T5	-
T4	ES-9502	-	HEAD COVER	6063-T5	-
MT1	-	-	#10 x 1/2" F.H. ST/ST SMS	-	-
MT2	-	-	TRIM GASKET	SILICONE	-
MT3	-	-	INTERIOR SPACER 1/4" x 1/4"	FOAM	-
MT4	-	AS REQD.	SETTING BLOCKS (1/16" x 3/4") AT 1/4 POINTS	EPDM	DUROMETER 80±5 SHORE A
T5	ES-8005	AS REQD.	TRANSOM HEAD S-8000	6005-T6	-
T6	ES-8013	AS REQD.	HORIZONTAL AT DOOR S-8000	6061-T6	-
T7	ES-8012	AS REQD.	TRANSOM JAMB S-8000	6005-T6	-
T8	ES-8003	AS REQD.	JAMB FILLER S-8000	6005-T5	-
T9	ES-8006	AS REQD.	TRANSOM GLASS STOP S-8000	6063-T5	-
T10	ES-8014	AS REQD.	TRANSOM GLAZING ADAPTER	6063-T6	-



PRODUCT REVIEWED
 as complying with the Florida
 Building Code
 Acceptance No. 18-0314-07
 Expiration Date 12/24/23
 by: Ishayq L. Ahmad
 Mr. Ahmad Product Control



af c
AL-FAROOQ CORPORATION
 ENGINEERS & PRODUCT DEVELOPMENT
 9360 SUNSET DRIVE, SUITE 220
 MIAMI, FLORIDA 33173 (C.A.N. 3538)
 TEL. (305) 264-8100 FAX. (305) 262-6978
 COMP-ANL W11-40MG

SERIES-MG500 ALUM OUTSWING FRENCH DOOR (L.M.I.)
MR. GLASS DOORS & WINDOWS INC.
 8120 N.W. 84 STREET
 MEDLEY, FL. 33166
 TEL. (305) 470-8284 FAX. (305) 470-8285

no	date	by	description
A	03.29.12		NO CHANGE THIS SHEET
B	03.16.16		UPDATED TO 2014 FBC
C	04.04.18		GENERAL REV.
D	07.27.18		REV. PER PER COMMENTS

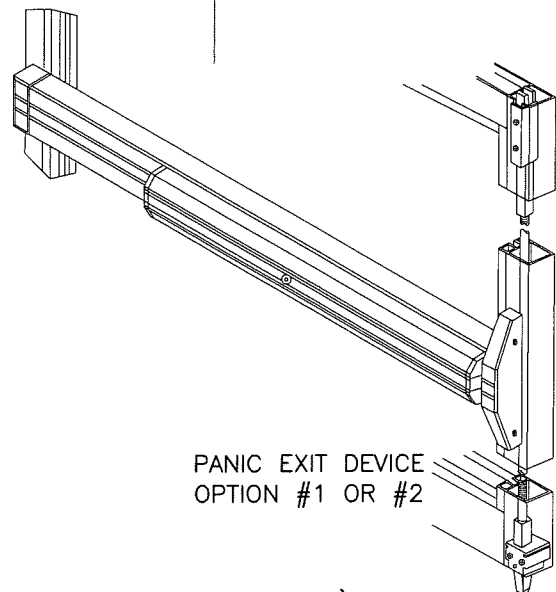
date: 07-15-11
 scale: 3/8" = 1"
 dr. by: TARIQ
 chk. by:
 drawing no.
W11-40
 sheet 15 of 18

LOCKS: (See Tables On Sheets 2 Thru 6 For Load Capacities)

OPTION #1: LIMIT MAX. LOADS TO ±80.0 PSF

ACTIVE & INACTIVE LEAF:

CONCEALED VERTICAL ROD PANIC EXIT DEVICE BY 'JACKSON PANIC SYSTEM' #1285 LOCATED AT 41" FROM SILL AT EACH LEAF. FASTENED WITH
 (1) #14 X 1" HH SELF DRILLING SCREW AT ONE END AND
 (2) #12-24 X 1/2" OH MACHINE SCREWS AT OTHER END
 OR
 CONCEALED VERTICAL ROD PANIC EXIT DEVICE BY 'ADAMS RITE' LOCATED AT 40" FROM SILL AT EACH LEAF. FASTENED WITH
 (2) #10-32 X 3/4" FH MACHINE SCREWS AT ONE END AND
 (2) #10-24 X 1/2" FH MACHINE SCREWS AT OTHER END



OPTION #2: LIMIT MAX. LOADS TO +80.0, -90.0 PSF

ACTIVE & INACTIVE LEAF:

CONCEALED VERTICAL ROD PANIC EXIT DEVICE BY 'JACKSON PANIC SYSTEM' #2086 LOCATED AT 41" FROM SILL AT EACH LEAF. FASTENED WITH
 (1) #14 X 1" HH SELF DRILLING SCREW AT ONE END AND
 (2) #12-24 X 1/2" OH MACHINE SCREWS AT OTHER END
 OR
 CONCEALED VERTICAL ROD PANIC EXIT DEVICE BY 'DOR-O-MATIC' LOCATED AT 40" FROM SILL AT EACH LEAF. FASTENED WITH
 (2) #12-24 X 1/2" FH MACHINE SCREWS AT ONE END

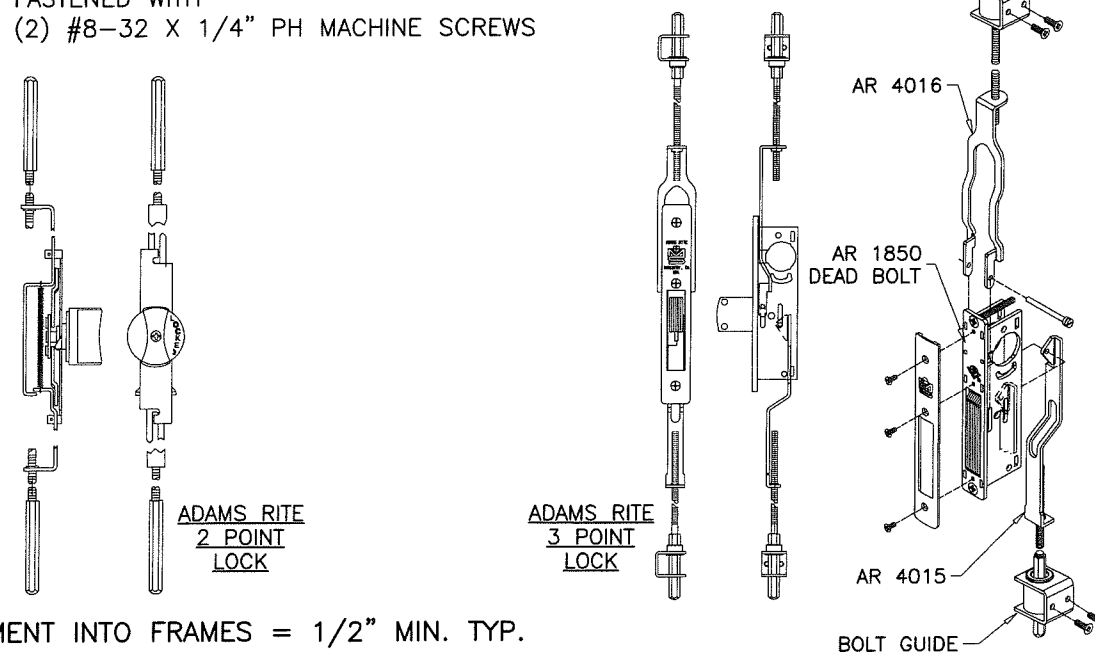
OPTION #3:

ACTIVE LEAF:

KEY OPERATED THREE POINT LOCK SYSTEM 4015/4016 BY 'ADAMS RITE' WITH CONCEALED FLUSH BOLTS AT TOP & BOTTOM OF LOCK STILE AND A THUMB TURN ON THE INTERIOR, LOCATED AT 40" FROM BOTTOM OF PANEL FASTENED WITH
 (2) #12-24 X 1/2" FH MACHINE SCREWS

INACTIVE LEAF:

MANUALLY OPERATED TWO POINT LOCK SYSTEM 1850/81 BY 'ADAMS RITE' WITH CONCEALED FLUSH BOLTS AT TOP & BOTTOM OF LOCK STILE AND A THUMB TURN ON THE INTERIOR, LOCATED AT 40" FROM BOTTOM OF PANEL FASTENED WITH
 (2) #8-32 X 1/4" PH MACHINE SCREWS

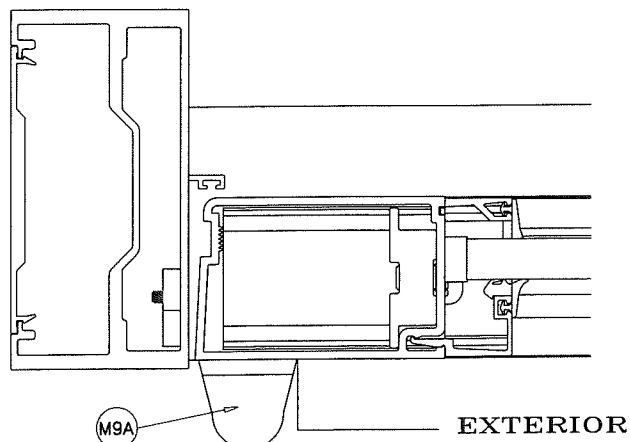


CONCEALED BOLTS ENGAGEMENT INTO FRAMES = 1/2" MIN. TYP.

HINGES: (See Tables On Sheets 2 Thru 6 For Load Capacities)

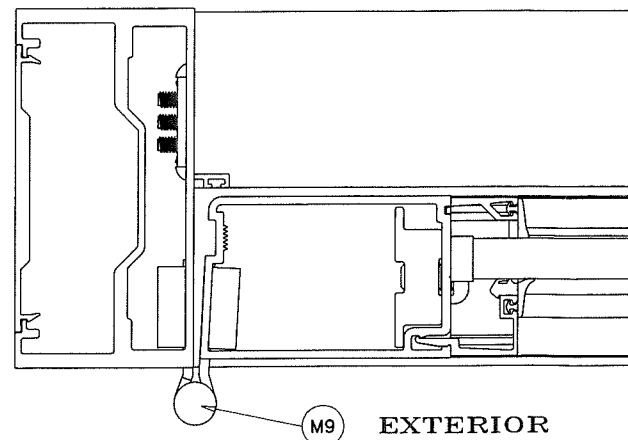
OPTION #1:

OFFSET PIVOT HINGES ALUMINUM AT TOP AND BOTTOM FASTENED TO FRAME AND THRESHOLD WITH #10-24 X 1/2" FH THREAD CUTTING SCREWS
 (2) AT THRESHOLD, (2) AT JAMB BOTTOM
 (3) AT FRAME HEAD
 HEAVY DUTY BRASS OR BRONZE AT MIDSPAN FASTENED TO FRAME AND LEAF WITH
 (4) 1/4-20 X 5/8" MS



OPTION #2:

4 X 4-3/4" ST. STEEL BALL BEARING BUTT HINGES LOCATED AT 11" FROM TOP & BOTTOM AND AT MIDSPAN FASTENED TO DOOR FRAME AND LEAF STILE WITH
 (4) #12-24 X 1/2" FH MACHINE SCREWS PER HASP



OPTION #2.1:

4 X 4-3/4" ST. STEEL BALL BEARING BUTT HINGES (4) PER LEAF
 (1) AT 9-5/8" FROM TOP TO CL OF HINGE
 (1) AT 10-5/16" FROM BOTTOM TO CL OF HINGE
 (2) INTERMEDIATE HINGES EQUALLY SPACED FROM TOP AND BOTTOM HINGE
 FASTENED TO DOOR FRAME AND LEAF STILE WITH
 (4) #12-24 X 1/2" FH MACHINE SCREWS PER HASP

PRODUCT REVISED as complying with the Florida Building Code
 Acceptance No. 18-0314.07
 Expiration Date 12/24/23
 J. Shugart
 Director Product Control



AL-FAROOQ CORPORATION
 ENGINEERS & PRODUCT DEVELOPMENT
 9360 SUNSET DRIVE, SUITE 220 (C.A.N. 3538)
 MIAMI, FLORIDA 33173
 TEL. (305) 262-6978 FAX. (305) 262-6978
 TEL. (305) 264-8100 FAX. (305) 264-8100

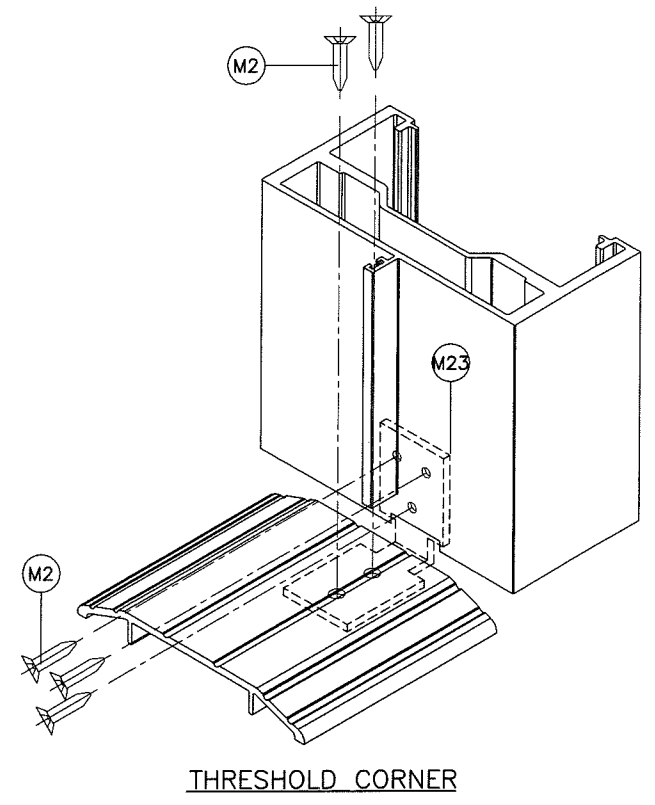
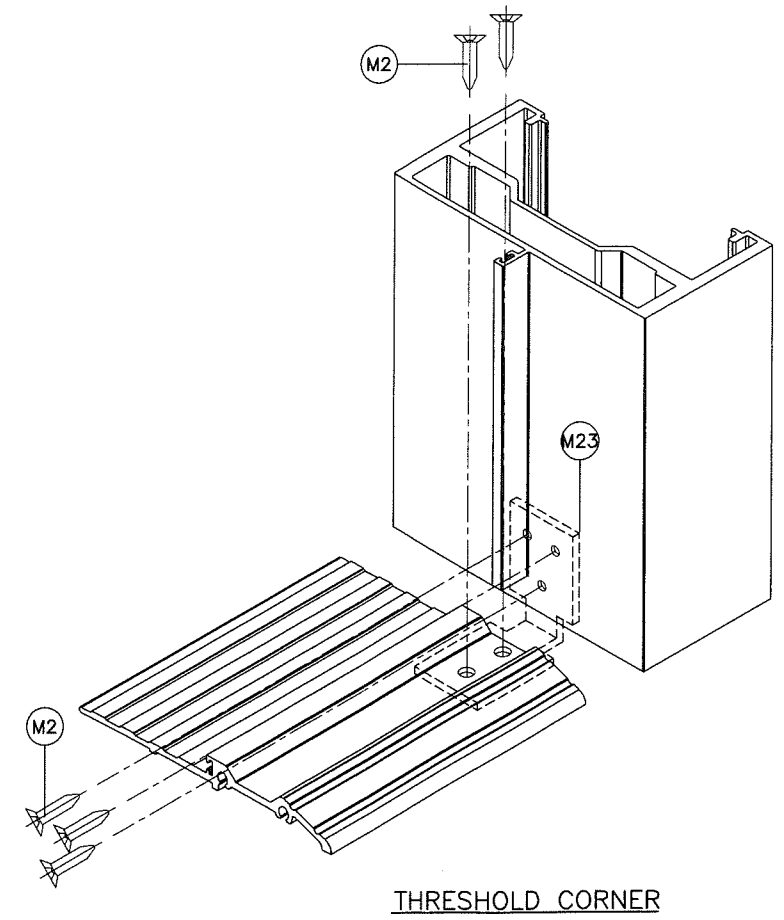
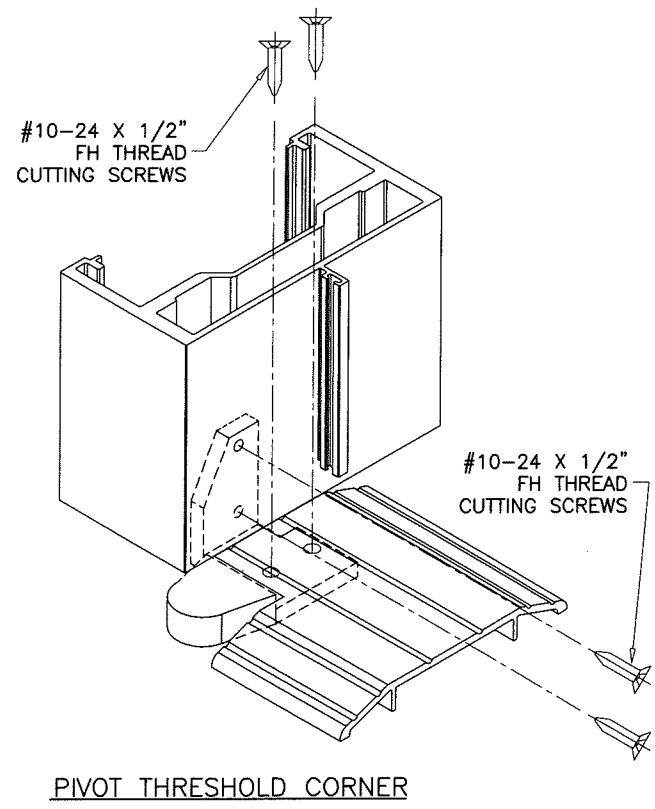
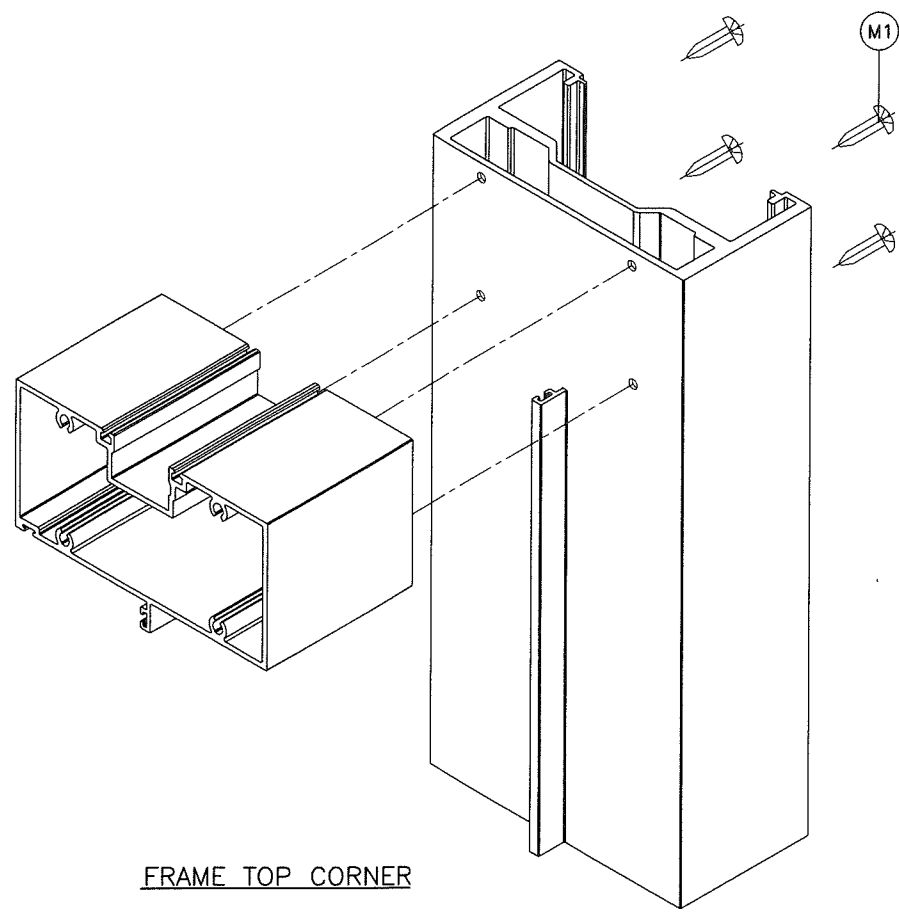
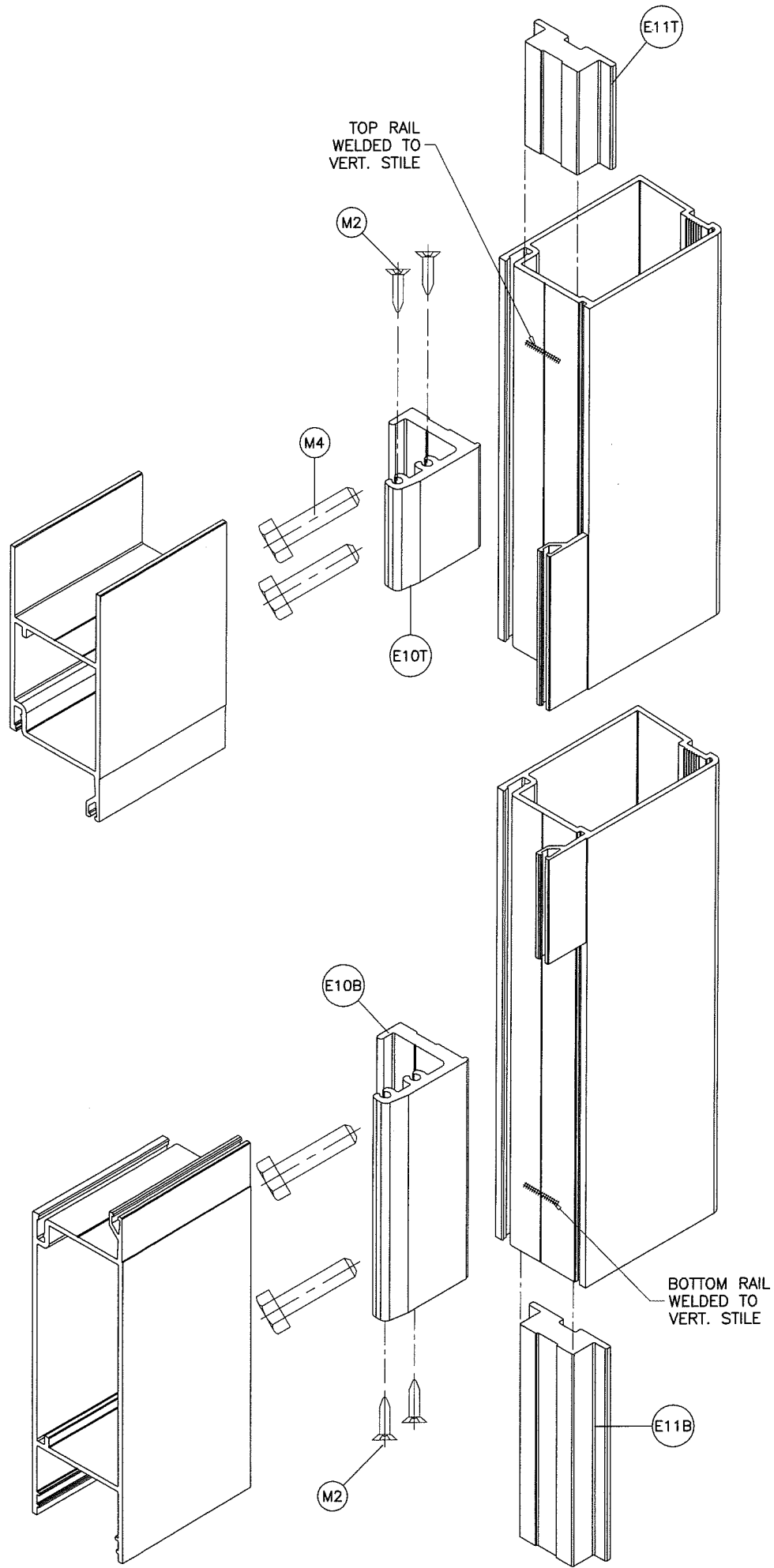
SERIES-MG500 ALUM OUTSWING FRENCH DOOR (L.M.I.)
MR. GLASS DOORS & WINDOWS INC.
 8120 N.W. 84 STREET
 MEDLEY, FL. 33166
 TEL. (305) 470-8284 FAX. (305) 470-8285

revisions:	no	date	description
	A	03.29.12	NO CHANGE THIS SHEET
	B	03.16.16	UPDATED TO 2014 FBC
	C	04.04.18	GENERAL REV.
	D	07.27.18	REV. PER RER COMMENTS

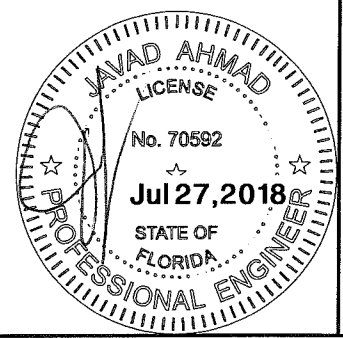
date:	07-15-11
scale:	3/8" = 1"
dr. by:	TARIQ
chk. by:	

drawing no. **W11-40**
 sheet 16 of 18

COMP-ANL\W11-40MG



PRODUCT REVIEW
 as complying with the Florida
 Building Code
 Acceptance No. 18-0314.07
 Expiration Date: 12/24/23
 A. Ishag, L.L.C.
 Building Product Control



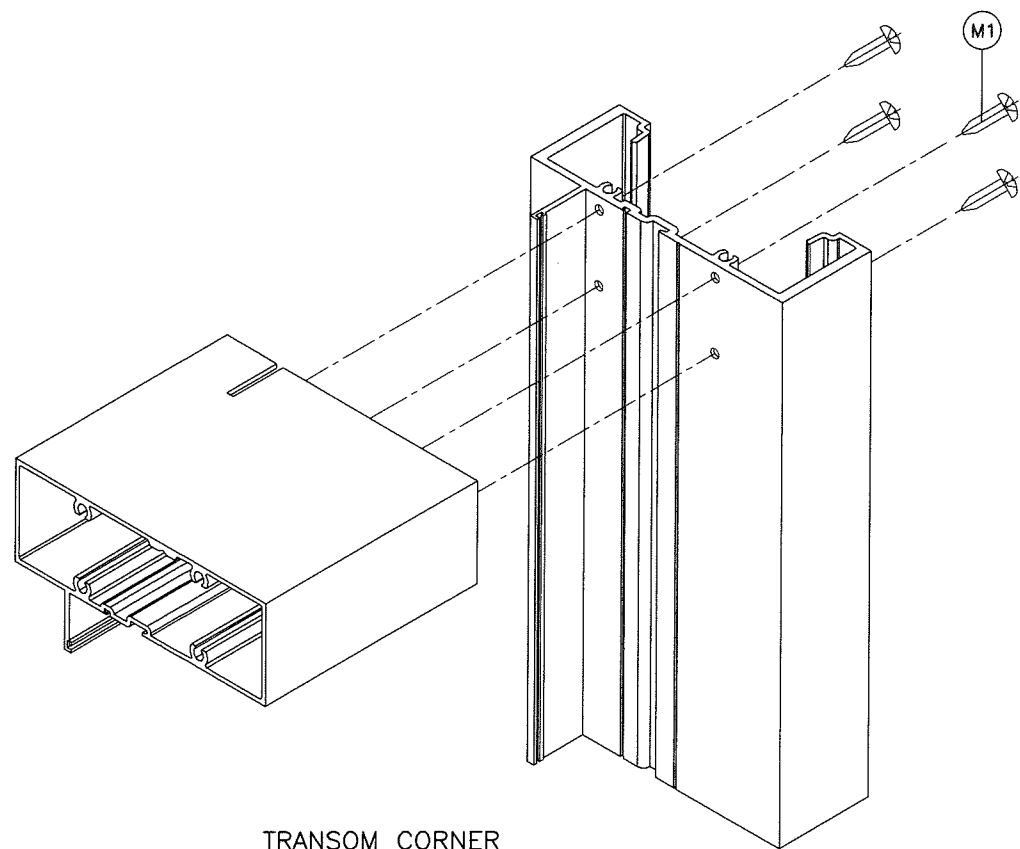
af c
AL-FAROOQ CORPORATION
 ENGINEERS & PRODUCT DEVELOPMENT
 9360 SUNSET DRIVE, SUITE 220 (C.A.N. 3538)
 MIAMI, FLORIDA 33173 TEL. (305) 262-6978 FAX. (305) 264-8100
 COMP-ANL\W11-40MG

SERIES-M6500 ALUM OUTSWING FRENCH DOOR (L.M.I.)
MR. GLASS DOORS & WINDOWS INC.
 8120 N.W. 84 STREET
 MEDLEY, FL. 33166
 TEL. (305) 470-8284 FAX. (305) 470-8285

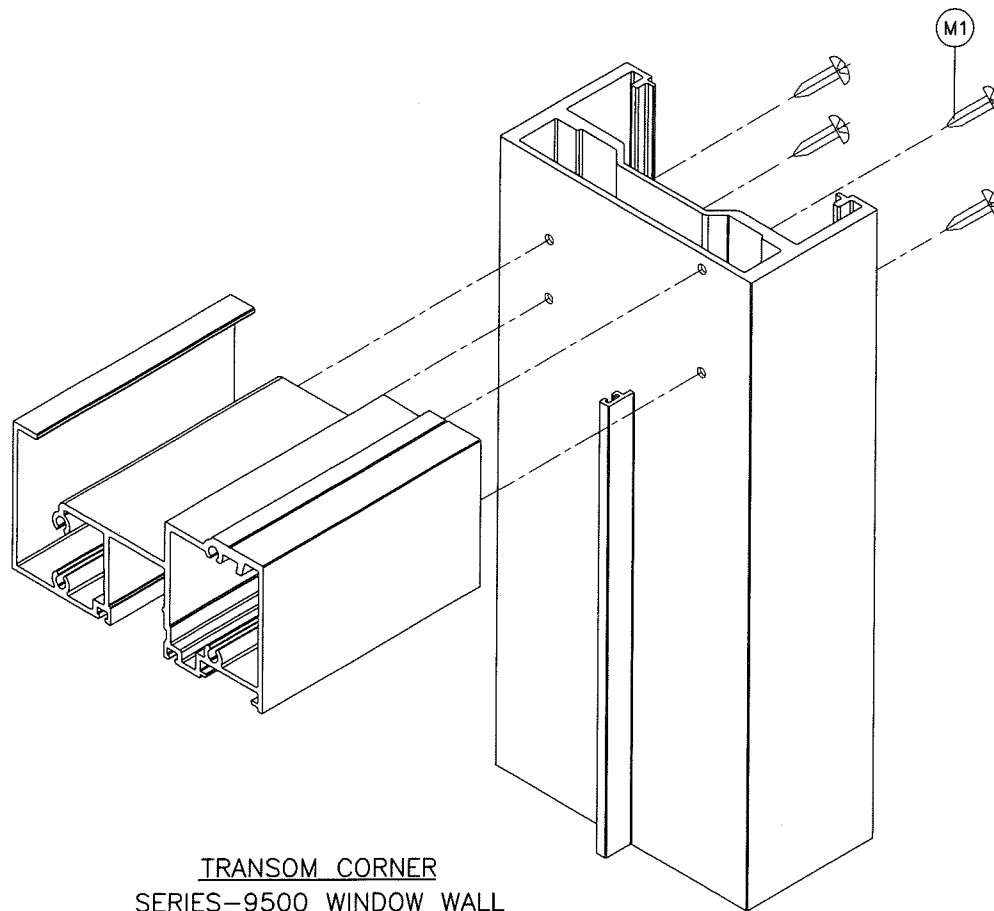
no	date	by	description
A	03.29.12		NO CHANGE THIS SHEET
B	03.16.16		UPDATED TO 2014 FBC
C	04.04.18		GENERAL REV.
D	07.27.18		NO CHANGE THIS SHEET

date: 07-15-11
 scale: 3/8" = 1"
 dr. by: TARIQ
 chk. by:

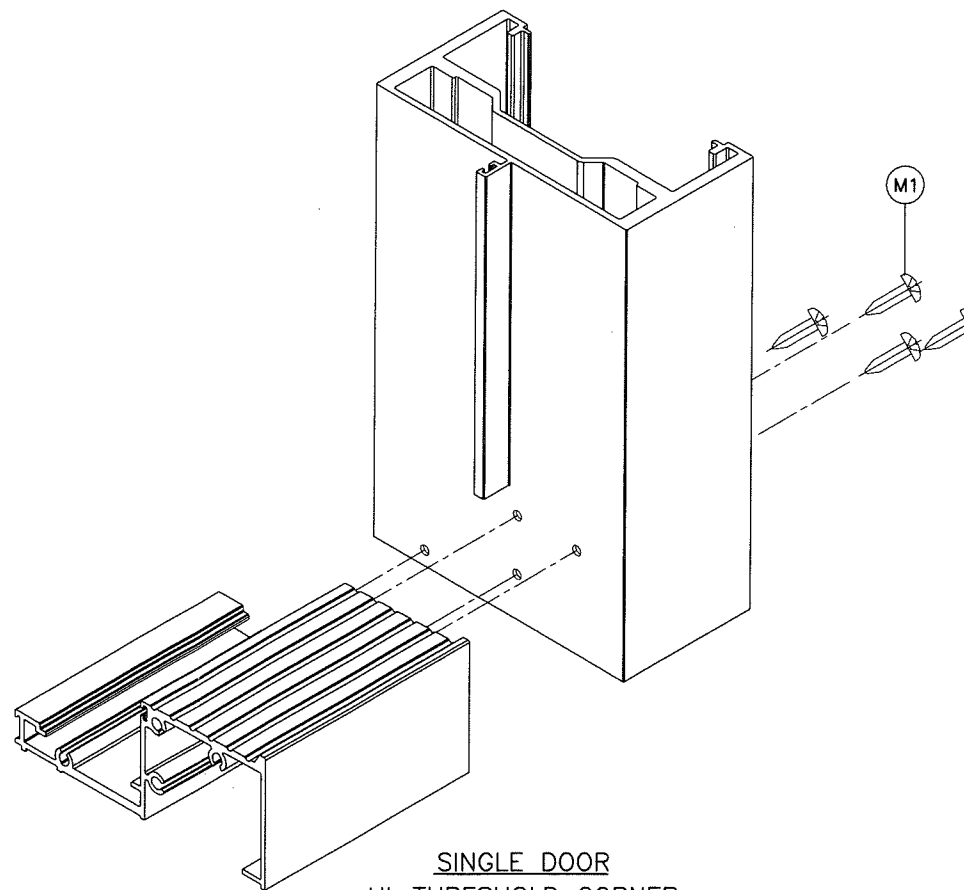
drawing no.
W11-40
 sheet 17 of 18



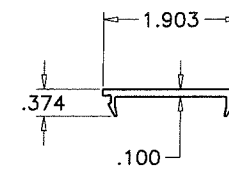
TRANSOM CORNER
SERIES-MG5000 WINDOW WALL



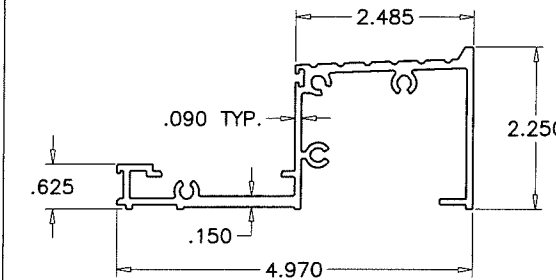
TRANSOM CORNER
SERIES-9500 WINDOW WALL



SINGLE DOOR
HI-THRESHOLD CORNER

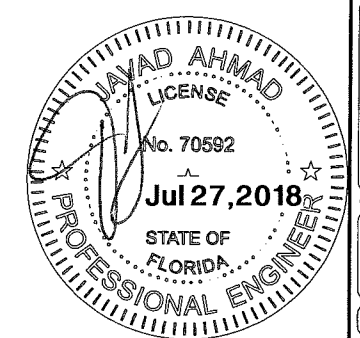


(E2C) THRESHOLD COVER
ES9027



(E2B) HIGH THRESHOLD
ES9026

PRODUCT REVISION
to comply with the Florida
Building Code
Acceptance No. 15-0314-07
Expiration Date 12/24/23
S. Ishag, L. H. ...
Mfg. and Distrib. Product Control



af c
AL-FAROOQ CORPORATION
ENGINEERS & PRODUCT DEVELOPMENT
9360 SUNSET DRIVE, SUITE 220 (C.A.N. 3538)
MIAMI, FLORIDA 33173
TEL. (305) 264-8100 FAX. (305) 262-6978
COMP-ANL\W11-40MG

SERIES-MG500 ALUM OUTSWING FRENCH DOOR (L.M.I.)
MR. GLASS DOORS & WINDOWS INC.
8120 N.W. 84 STREET
MEDLEY, FL. 33166
TEL. (305) 470-8284 FAX. (305) 470-8285

no	date	by	description
A	03.29.12		NO CHANGE THIS SHEET
B	03.16.16		UPDATED TO 2014 FBC
C	04.04.18		GENERAL REV.
D	07.27.18		REV. PER PER COMMENTS

date: 07-15-11
scale: 3/8" = 1"
dr. by: TARIQ
chk. by:

drawing no.
W11-40
sheet 18 of 18