

DEPARTMENT OF REGULATORY AND ECONOMIC RESOURCES (RER)  
BOARD AND CODE ADMINISTRATION DIVISION

MIAMI-DADE COUNTY  
PRODUCT CONTROL SECTION  
11805 SW 26 Street, Room 208  
Miami, Florida 33175-2474  
T (786) 315-2590 F (786) 315-2599

[www.miamidade.gov/economy](http://www.miamidade.gov/economy)

**NOTICE OF ACCEPTANCE (NOA)**

**Mr- Glass Doors & Windows Manufacturing, LLC**  
8051 N.W. 79<sup>th</sup> Place  
Medley, Florida 33166

**SCOPE:**

This NOA is being issued under the applicable rules and regulations governing the use of construction materials. The documentation submitted has been reviewed and accepted by Miami-Dade County RER- Product Control Section to be used in Miami Dade County and other areas where allowed by the Authority Having Jurisdiction (AHJ).

This NOA shall not be valid after the expiration date stated below. The Miami-Dade County Product Control Section (In Miami Dade County) and/or the AHJ (in areas other than Miami Dade County) reserve the right to have this product or material tested for quality assurance purposes. If this product or material fails to perform in the accepted manner, the manufacturer will incur the expense of such testing and the AHJ may immediately revoke, modify, or suspend the use of such product or material within their jurisdiction. RER reserves the right to revoke this acceptance if it is determined by Miami-Dade County Product Control Section that this product or material fails to meet the requirements of the applicable building code.

This product is approved as described herein and has been designed to comply with the High Velocity Hurricane Zone of the Florida Building Code.

**DESCRIPTION: "MG-2530" Aluminum Glazed Railing**

**APPROVAL DOCUMENT:** Drawing No. 14-04, titled "Series MG2530 Alum. Glass Railing System", sheets 1 through 4 of 4, prepared by Al-Farooq Corporation, revision #C dated July 18, 2023, signed and sealed by Jalal Farooq, P.E., on July 24, 2023, bearing Miami-Dade County Product Control Revision stamp with the Notice of Acceptance number and the expiration date by the Miami-Dade County Product Control Section.

**MISSILE IMPACT RATING: Large and Small Missile Impact Resistant**

**LABELING:** Each unit shall bear a permanent label with the manufacturer's name or logo, city, state and the following statement: "Miami-Dade County Product Control Approved", unless otherwise noted herein.

**RENEWAL** of this NOA shall be considered after a renewal application has been filed and there has been no change in the applicable building code negatively affecting the performance of this product.

**TERMINATION** of this NOA will occur after the expiration date or if there has been a revision or change in the materials, use, and/or manufacture of the product or process. Misuse of this NOA as an endorsement of any product, for sales, advertising or any other purposes shall automatically terminate this NOA. Failure to comply with any section of this NOA shall be cause for termination and removal of NOA.

**ADVERTISEMENT:** The NOA number preceded by the words Miami-Dade County, Florida, and followed by the expiration date may be displayed in advertising literature. If any portion of the NOA is displayed, then it shall be done in its entirety.

**INSPECTION:** A copy of this entire NOA shall be provided to the user by the manufacturer or its distributors and shall be available for inspection at the job site at the request of the Building Official. The structural adequacy of the supporting structures is not part of this approval & shall be reviewed by the corresponding Building Dept.

This NOA **revises NOA #20-1217.01** and consists of this page 1, evidence submitted pages E-1 & E-2 as well as approval document mentioned above.

The submitted documentation was reviewed by **Helmy A. Makar, P.E., M.S.**



*Helmy A. Makar*  
09/07/2023

NOA No. 23-0731.05  
Expiration Date: 03/26/2025  
Approval Date: 09/07/2023

**Mr- Glass Doors & Windows Manufacturing, LLC**

**NOTICE OF ACCEPTANCE: EVIDENCE SUBMITTED**

**1. EVIDENCE SUBMITTED UNDER PREVIOUS APPROVAL #14-1022.02**

**A. DRAWINGS**

1. *Drawing No. 14-04, titled "Series MG2530 Alum. Glass Railing System", sheets 1 through 4 of 4, prepared by Al-Farooq Corporation, revision #A dated February 26, 2015, signed and sealed by Javad Ahmad, P.E., on February 27, 2015.*

**B. TESTS**

1. *Test Report No. 7861, by Fenestration Testing Laboratory, Inc., dated September 19, 2014, signed and sealed by Idalmis Ortega, P.E.*

**C. CALCULATIONS**

1. *Calculation titled "Series MG 2530 Aluminum & Glass Railing", 61 sheets, dated October 02, 2014, prepared by Al Farooq Corporation, signed and sealed by Javad Ahmad, P.E., on October 16, 2014.*
2. *Calculation titled "Series MG 2530 Aluminum & Glass Railing", 10 sheets, dated February 25, 2015, prepared by Al Farooq Corporation, signed and sealed by Javad Ahmad, P.E., on February 27, 2015.*

**D. QUALITY ASSURANCE**

1. *By Miami-Dade County Department of Regulatory and Economic Resources.*

**E. MATERIAL CERTIFICATIONS**

1. *Die Drawings.*
2. *Non-Shrink Precision Grout, Product No. 1585-00 by Commercial Grade Quikrete.*

**F. OTHERS**

1. *Letter of compliance with the FBC Fifth Edition (2014), dated October 08, 2014, issued by Al Farooq Corporation, signed and sealed by Javad Ahmad, P.E., on October 16, 2014.*

**2. EVIDENCE SUBMITTED UNDER PREVIOUS APPROVAL #20-1217.01**

**A. DRAWINGS**

1. *Drawing No. 14-04, titled "Series MG2530 Alum. Glass Railing System", sheets 1 through 4 of 4, prepared by Al-Farooq Corporation, revision #B dated November 05, 2020, signed and sealed by Jalal Farooq, P.E., on November 30, 2020.*

**B. TESTS**

1. *None.*



Helmy A. Makar, P.E., M.S.  
Product Control Section Supervisor  
NOA No. 23-0731.05  
Expiration Date: 03/26/2025  
Approval Date: 09/07/2023

**Mr- Glass Doors & Windows Manufacturing, LLC**

**NOTICE OF ACCEPTANCE: EVIDENCE SUBMITTED**

**C. CALCULATIONS**

1. Calculation titled "Series MG 2530 Aluminum & Glass Railing", 4 sheets, dated November 23, 2020, prepared by Al Farooq Corporation, signed and sealed by Jalal Farooq, P.E., on December 15, 2020.

**D. QUALITY ASSURANCE**

1. By Miami-Dade County Department of Regulatory and Economic Resources (RER).

**E. MATERIAL CERTIFICATIONS**

1. None.

**F. OTHERS**

1. Letter of compliance with the FBC Sixth Edition (2017) and the FBC Seventh Edition (2020), dated November 23, 2020, issued by Al Farooq Corporation, signed and sealed by Jalal Farooq, P.E., on December 15, 2020.

**3. NEW EVIDENCE SUBMITTED**

**A. DRAWINGS**

1. Drawing No. 14-04, titled "Series MG2530 Alum. Glass Railing System", sheets 1 through 4 of 4, prepared by Al-Farooq Corporation, revision #C dated July 18, 2023, signed and sealed by Jalal Farooq, P.E., on July 24, 2023.

**B. TESTS**

1. None.

**C. CALCULATIONS**

1. None.

**D. QUALITY ASSURANCE**


1. By Miami-Dade County Department of Regulatory and Economic Resources, (RER).

**E. MATERIAL CERTIFICATIONS**

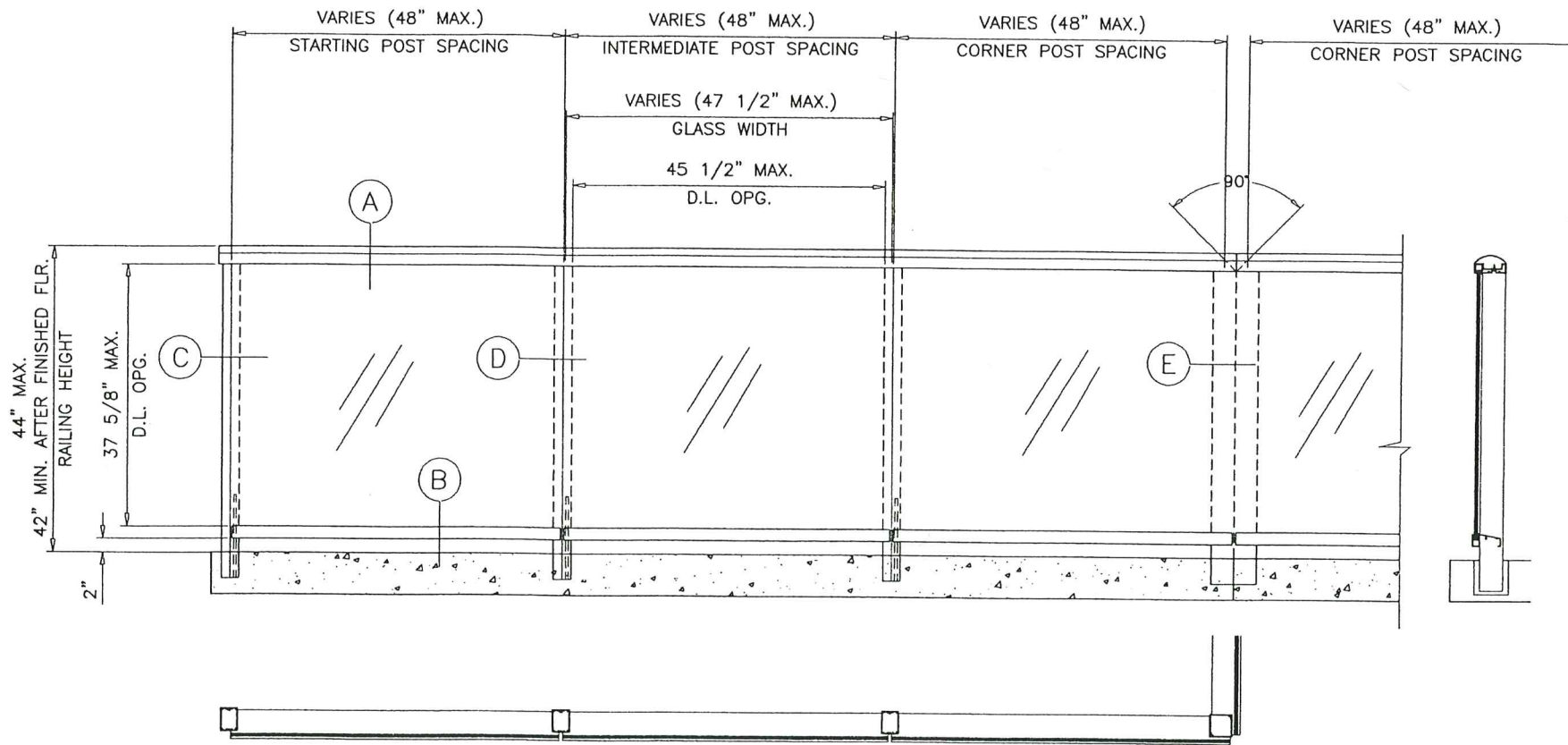
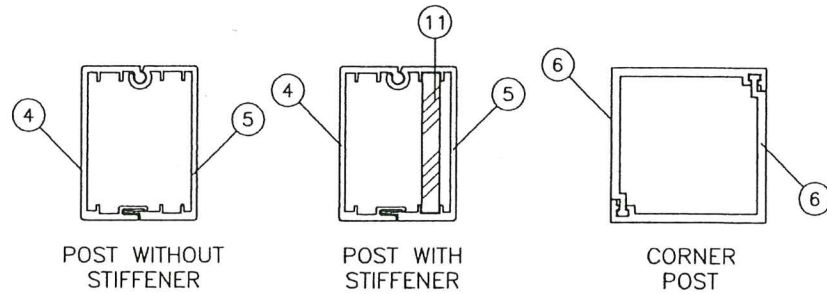
1. None.

**F. OTHERS**

1. Letter of compliance with the FBC Eighth Edition (2023) and the FBC Seventh Edition (2020), dated July 21, 2023, issued by Al Farooq Corporation, signed and sealed by Jalal Farooq, P.E.

  
\_\_\_\_\_  
Helmy A. Makar, P.E., M.S.  
Product Control Section Supervisor  
NOA No. 23-0731.05  
Expiration Date: 03/26/2025  
Approval Date: 09/07/2023

* POST PERFORMANCE CHART DESIGN LOAD CAPACITY-PSF (RAILING HEIGHT = 44 IN.)			
POST SPACING	POST WITHOUT STIFFENER	POST WITH STIFFENER	CORNER POST
36"	110.0	-	110.0
42"	110.0	-	110.0
48"	100.0	110.0	110.0



TYPICAL ELEVATION

* POST EMBEDMENT CHART (RAILING HEIGHT = 44 IN.)				
CONCRETE	HOLE DIA.	POST EMBED	POST SPACING	LOAD CAPACITY
3000 PSI	5 IN.	4 IN.	36 IN.	80.0 PSF
			42 IN.	70.0 PSF
			48 IN.	60.0 PSF
	6 IN.	4 IN.	36 IN.	95.0 PSF
			42 IN.	84.0 PSF
			48 IN.	72.0 PSF
4000 PSI	5 IN.	4 IN.	36 IN.	110.0 PSF
			42 IN.	93.0 PSF
			48 IN.	82.0 PSF
	6 IN.	4 IN.	36 IN.	110.0 PSF
			42 IN.	110.0 PSF
			48 IN.	100.0 PSF
5000 PSI	5 IN.	4 IN.	36 IN.	110.0 PSF
			42 IN.	110.0 PSF
			48 IN.	100.0 PSF
	6 IN.	4 IN.	36 IN.	110.0 PSF
			42 IN.	110.0 PSF
			48 IN.	107.0 PSF
5000 PSI	5 IN.	4-1/4 IN.	36 IN.	110.0 PSF
			42 IN.	110.0 PSF
			48 IN.	100.0 PSF
	6 IN.	4-1/4 IN.	36 IN.	110.0 PSF
			42 IN.	110.0 PSF
			48 IN.	110.0 PSF

\* INSTRUCTIONS:

USE CHARTS AS FOLLOWS.

- STEP 1** DETERMINE DESIGN WIND LOAD REQUIREMENTS BASED ON WIND VELOCITY, BLDG. HEIGHT, WIND ZONE USING APPLICABLE ASCE 7 STANDARD.
- STEP 2** USE POST PERFORMANCE CHART TO VERIFY POST CAPACITY FOR THE REQUIRED DESIGN LOAD.
- STEP 3** USE POST EMBEDMENT CHART TO CHECK POST SPACING AND REQUIRED EMBEDMENT.
- STEP 4** THE LOWER VALUE RESULTING FROM STEPS 2 AND 3 SHALL APPLY TO ENTIRE SYSTEM.

**SERIES MG2530  
ALUMINUM GLASS RAILING SYSTEM**

THIS PRODUCT HAS BEEN DESIGNED AND TESTED TO COMPLY WITH THE REQUIREMENTS OF THE 2020 (7TH EDITION)/2023 (8TH EDITION) FLORIDA BUILDING CODE INCLUDING HIGH VELOCITY HURRICANE ZONE (HVHZ).

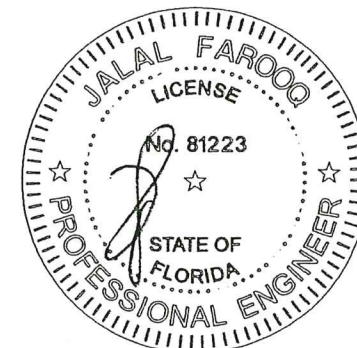
ANCHORS SHALL BE CORROSION RESISTANT, SPACED AS SHOWN ON DETAILS AND INSTALLED PER MANUF'S INSTRUCTIONS. SPECIFIED EMBEDMENT TO BASE MATERIAL SHALL BE BEYOND FLOOR DRESSING.

MATERIALS INCLUDING BUT NOT LIMITED TO STEEL/METAL SCREWS, THAT COME INTO CONTACT WITH OTHER DISSIMILAR MATERIALS SHALL MEET THE REQUIREMENTS OF THE 2020/2023 FLORIDA BLDG. CODE & ADOPTED STANDARDS.

THIS PRODUCT APPROVAL IS GENERIC AND DOES NOT PROVIDE INFORMATION FOR A SITE SPECIFIC PROJECT, i.e. LIFE SAFETY OF THIS PRODUCT, ADEQUACY OF STRUCTURE RECEIVING THIS PRODUCT ETC. CONDITIONS NOT SHOWN IN THIS DRAWING ARE TO BE ANALYZED SEPARATELY, AND TO BE REVIEWED BY BUILDING OFFICIAL.

DESIGN LOADS SHOWN ARE BASED ON 'ALLOWABLE STRESS DESIGN (ASD)'.

PRODUCT REVISED  
as complying with the Florida  
Building Code  
Acceptance No 23-0731.05 JUL 2 2023  
Expiration Date 03/26/2025  
By H. G. A. M. M.  
Miami Data Product Control



**AL-FAROOQ CORPORATION**  
ENGINEERS & PRODUCT DEVELOPMENT  
9360 SUNSET DRIVE, SUITE 220  
MIAMI, FLORIDA 33173 (C.A.N. 3538)  
TEL. (305) 264-8100 FAX. (305) 262-6978

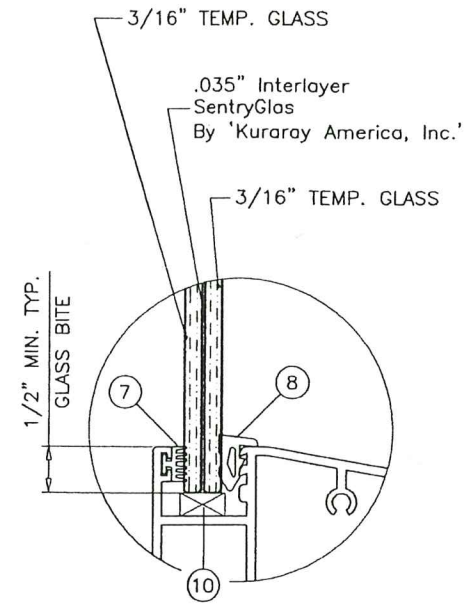
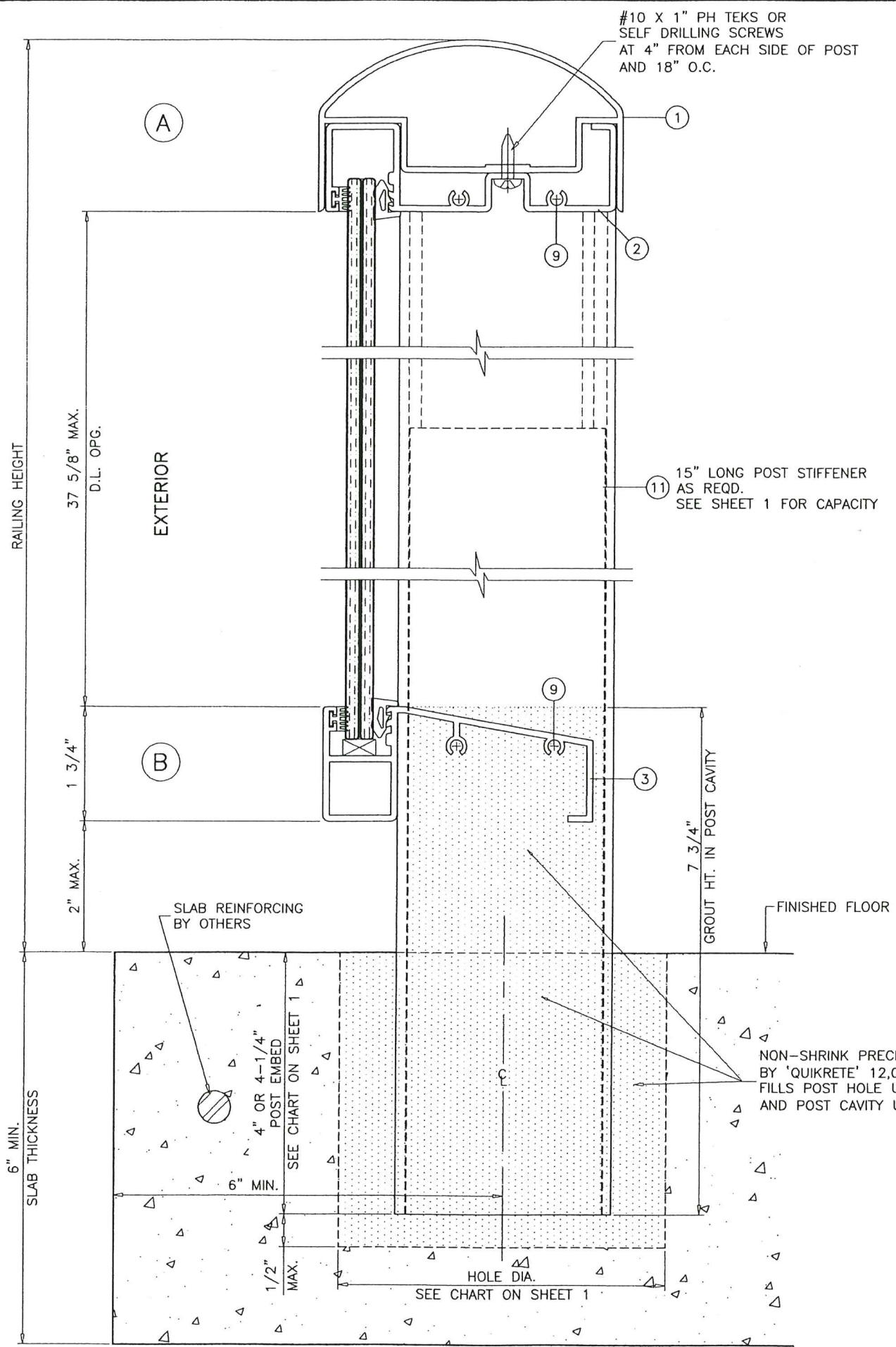
SERIES MG2530 ALUM GLASS RAILING SYSTEM  
**MR-GLASS DOORS & WINDOWS MANUFACTURING, LLC**  
8051 N.W. 79th Place  
Medley, FL. 33166  
Tel. (305) 764-3963  
www.mrglasswindows.com

no.	date	description
A	02.26.15	REV. PER PER COMMENTS
B	11.05.20	UPDATED TO 2020 FBC
C	07.18.23	UPDATED TO 2023 FBC

date: 10-03-14  
scale: 1/2"=1'-0"  
dr. by: TARIQ  
chk. by:

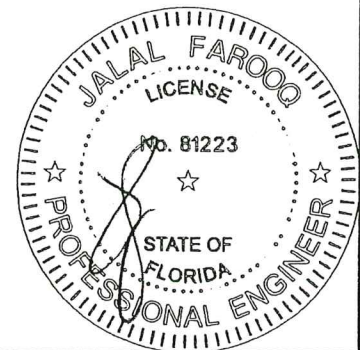
drawing no.  
**14-04**  
sheet 1 of 4

RAILING \ 14-04M/C



**GLASS DETAIL**  
7/16" OVERALL LAM. GLASS

PRODUCT REVISED  
as complying with the Florida:  
Building Code  
Acceptance No. 23-0731/05  
Expiration Date 03/26/2025  
By *H. G. A. Miller* JUL 27 2023  
Miami Door Product Control



**af c**

**AL-FAROOQ CORPORATION**  
ENGINEERS & PRODUCT DEVELOPMENT  
9360 SUNSET DRIVE, SUITE 220  
MIAMI, FLORIDA 33173 (C.A.N. 3538)  
TEL. (305) 264-8100 FAX. (305) 262-6978

SERIES MG2530 ALUM GLASS RAILING SYSTEM

**MR-GLASS DOORS & WINDOWS MANUFACTURING, LLC**  
8051 N.W. 79th Place  
Medley, FL. 33166  
Tel. (305) 764-3963 www.mrglasswindows.com

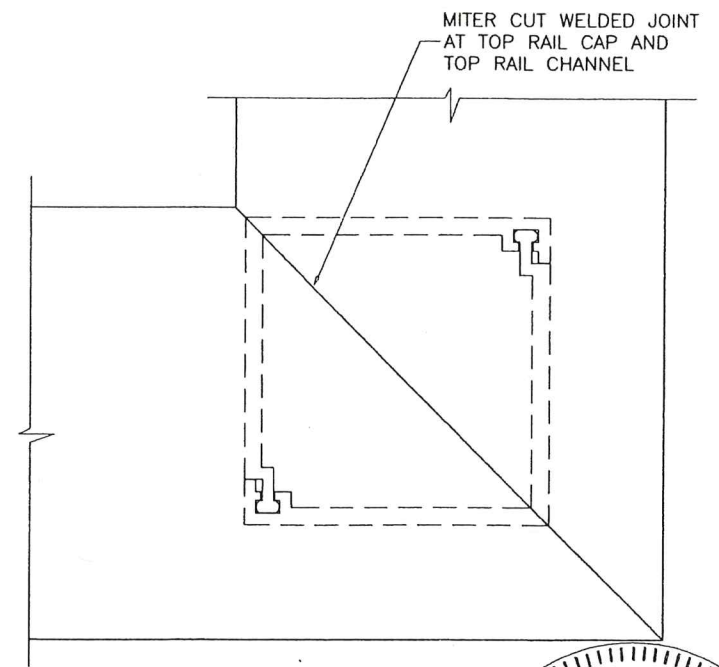
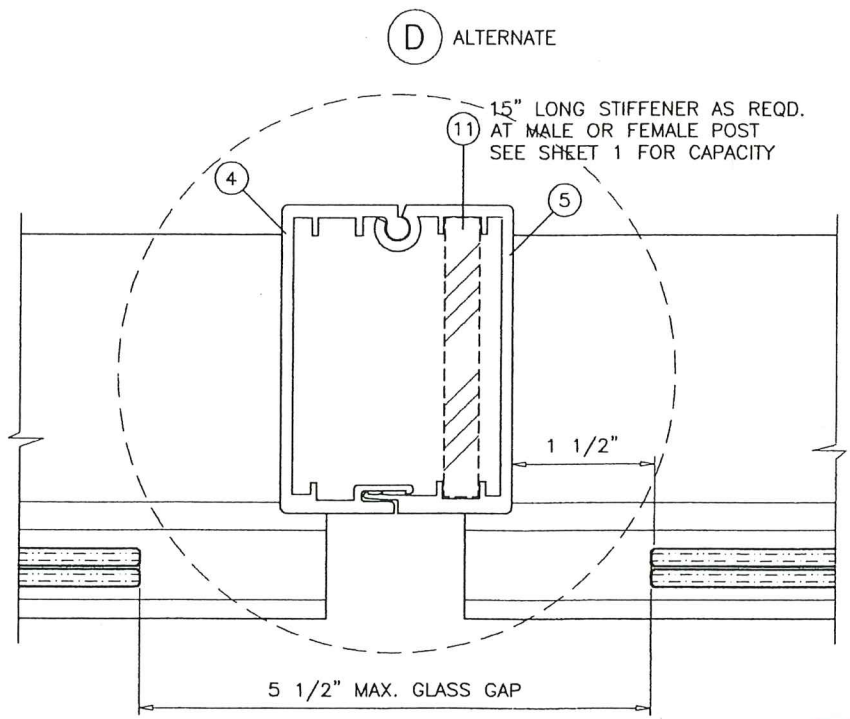
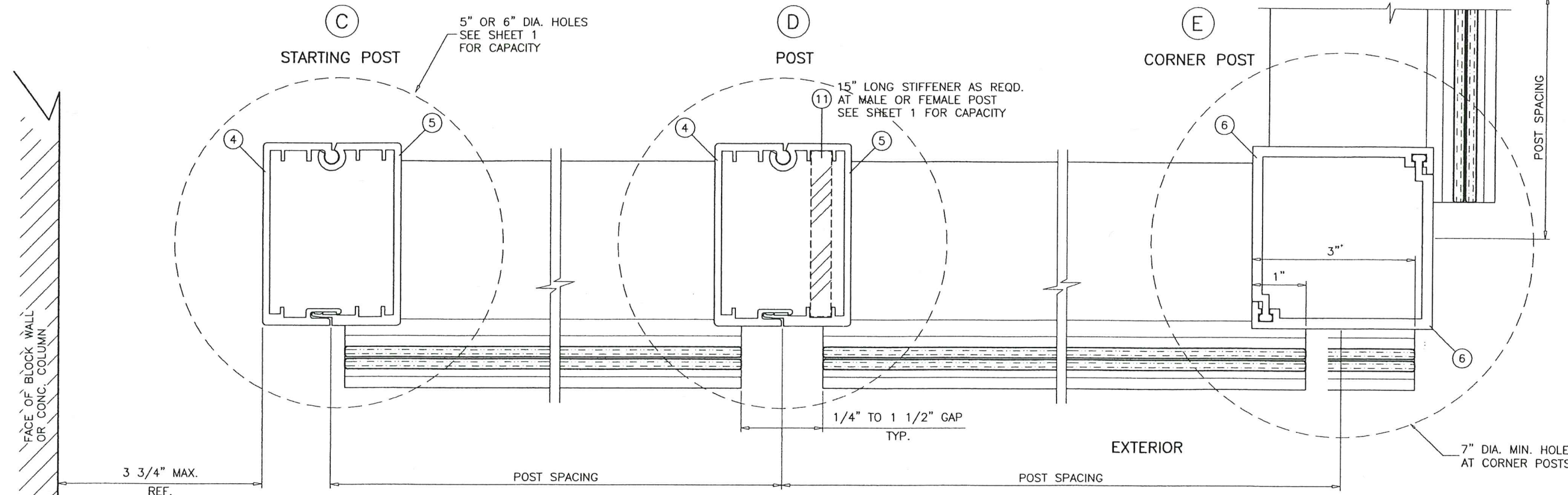
NO	DATE	DESCRIPTION
A	02.26.15	REV. PER PER COMMENTS
B	11.05.20	UPDATED TO 2020 FBC
C	07.18.23	UPDATED TO 2023 FBC

revisions:

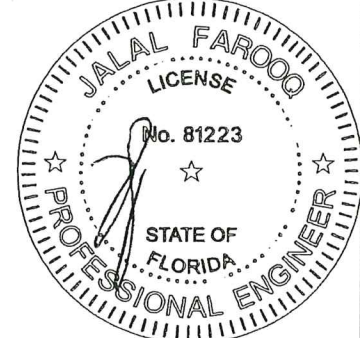
date: 10-03-14  
scale: 1/2" = 1"  
dr. by: TARIO  
chk. by:

drawing no.  
**14-04**  
sheet 2 of 4

RAILING 14-04MG



PRODUCT REVISED  
 as complying with the Florida  
 Building Code  
 Acceptance No. 23-0731.05  
 Expiration Date 03/26/2025 JUL 27 2023  
 By Hely A. M...  
 Miami Dade Product Control



**af c**  
**AL-FAROOQ CORPORATION**  
 ENGINEERS & PRODUCT DEVELOPMENT  
 9360 SUNSET DRIVE, SUITE 220  
 MIAMI, FLORIDA 33173 (C.A.N. 3538)  
 TEL. (305) 264-8100 FAX. (305) 262-6978

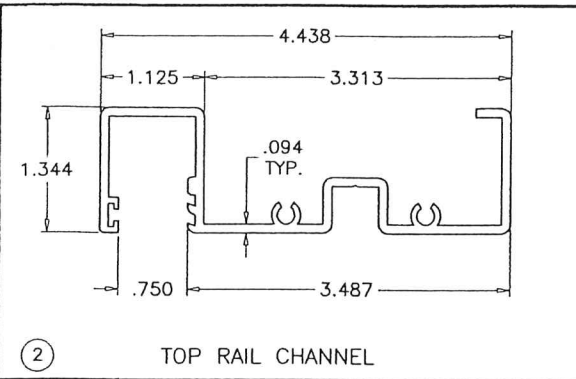
SERIES MG2530 ALUM GLASS RAILING SYSTEM  
**MR-GLASS DOORS & WINDOWS MANUFACTURING, LLC**  
 8051 N.W. 79th Place  
 Medley, FL. 33166  
 Tel. (305) 764-3963 www.mrglasswindows.com

no.	date	by	description
A	02.26.15		NO CHANGE THIS SHEET
B	11.05.20		UPDATED TO 2020 FBC
C	07.18.23		UPDATED TO 2023 FBC

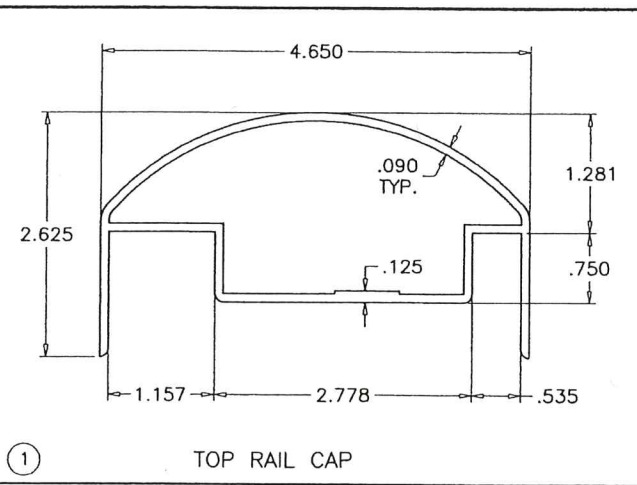
date: 10-03-14  
 scale: 1/2" = 1"  
 dr. by: TARIQ  
 chk. by:

drawing no.  
**14-04**  
 sheet 3 of 4

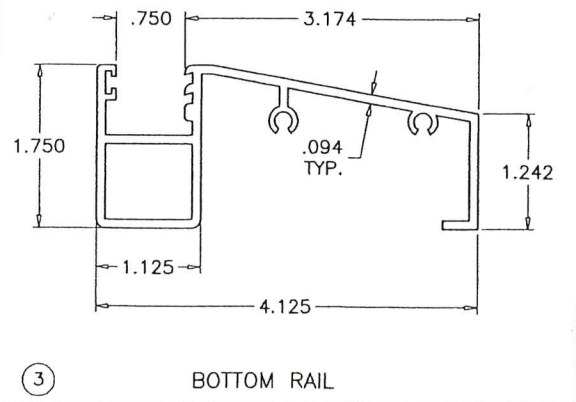
RAILING 14-04MG



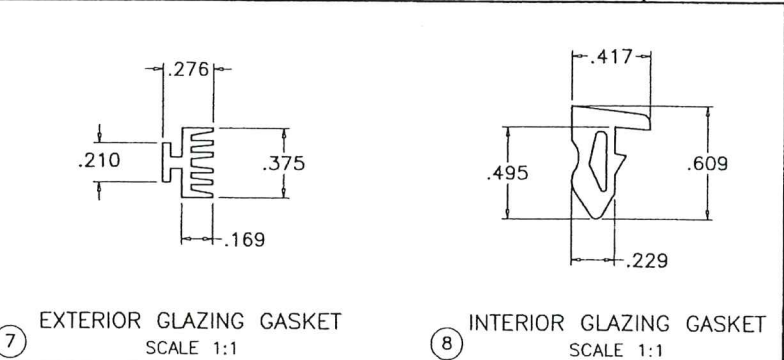
② TOP RAIL CHANNEL



① TOP RAIL CAP

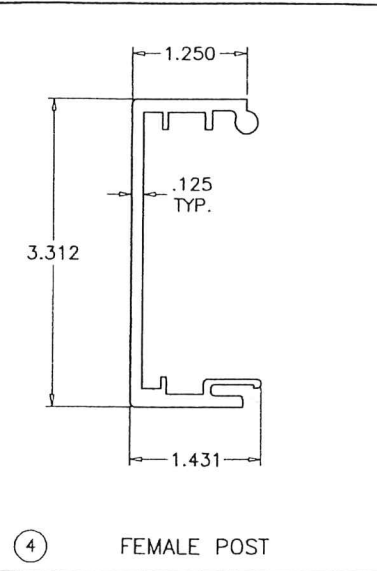


③ BOTTOM RAIL

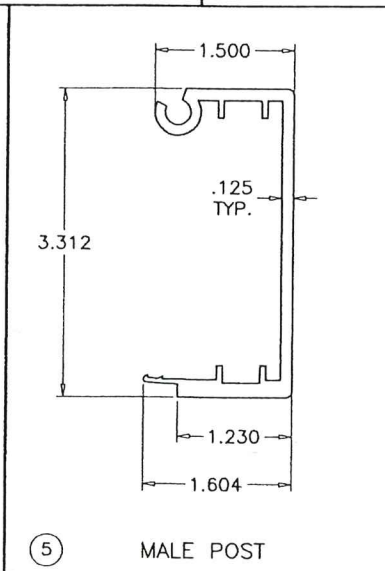


⑦ EXTERIOR GLAZING GASKET  
SCALE 1:1

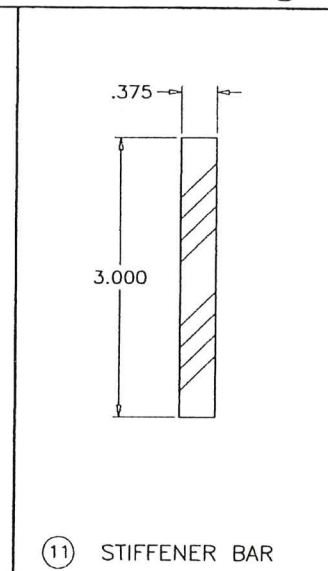
⑧ INTERIOR GLAZING GASKET  
SCALE 1:1



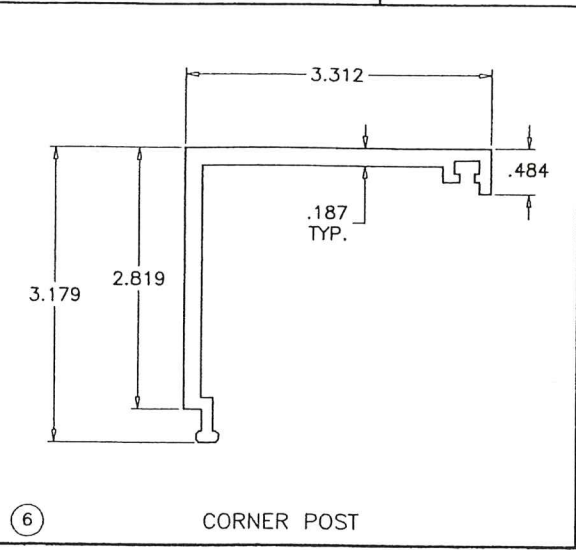
④ FEMALE POST



⑤ MALE POST



⑪ STIFFENER BAR



⑥ CORNER POST

NOTE:  
DIMENSIONS SHOWN ARE NOMINAL FROM EXTRUSION DRAWINGS.

ITEM	PART #	DESCRIPTION	MATERIAL	MANF./SUPPLIER/REMARKS
1	MGR-103	TOP RAIL CAP	6063-T5	-
2	MGR-104	TOP RAIL CHANNEL	6063-T5	-
3	MGR-105	BOTTOM RAIL	6063-T6	-
4	MGR-101	FEMALE POST	6005-T5/6061-T6	-
5	MGR-102	MALE POST	6005-T5/6061-T6	-
6	MGR-106	90° CORNER POST	6005-T5/6061-T6	-
7	MGR-107	EXTERIOR GLAZING GASKET	EPDM	DUROMETER 70±5 SHORE A
8	MGR-108	INTERIOR GLAZING GASKET	EPDM	DUROMETER 70±5 SHORE A
9	#12 X 1 1/2"	ASSEMBLY FASTENERS	ST. STEEL	HH SELF DRILLING SCREWS
10	-	SETTING BLOCK (1/2" X 1/4" X 4" LONG) 2 PER LITE	EPDM	DUROMETER 80±5 SHORE A
11	-	STIFFENER BAR, 15" LONG	6061-T6	-

**af c**  
**AL-FAROOQ CORPORATION**  
 ENGINEERS & PRODUCT DEVELOPMENT  
 9360 SUNSET DRIVE, SUITE 220  
 MIAMI, FLORIDA 33173 (C.A.N. 3588)  
 TEL. (305) 264-8100 FAX. (305) 262-6978

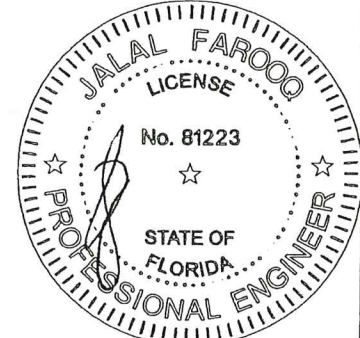
SERIES MG2530 ALUM GLASS RAILING SYSTEM  
**MR-GLASS DOORS & WINDOWS MANUFACTURING, LLC**  
 8051 N.W. 79th Place  
 Medley, FL. 33166  
 Tel. (305) 764-3963 www.mrglasswindows.com

no.	date	by	description
A	02.26.15	REV. PER RER COMMENTS	
B	11.05.20	UPDATED TO 2020 FBC	
C	07.18.23	UPDATED TO 2023 FBC	

date: 10-03-14  
 scale: 1/2" = 1"  
 dr. by: TARIQ  
 chk. by:

drawing no.  
**14-04**  
 sheet 4 of 4

PRODUCT REVISED  
 as complying with the Florida  
 Building Code  
 Acceptance No 23-0731.05  
 Expiration Date 03/26/2025  
 By H. A. Mohr JUL 21 2023  
 Miami Door Product Control



RAILING \ 14-04MG