



[DBPR HOME](#) | [ABOUT DBPR](#) | [DBPR DIVISIONS](#) | [CONTACT DBPR](#)

[BCIS Home](#) | [Log In](#) | [User Registration](#) | [Hot Topics](#) | [Submit Surcharge](#) | [Stats & Facts](#) | [Publications](#) | [Contact Us](#) | [BCIS Site Map](#) | [Links](#) | [Search](#)



**Product Approval**  
USER: Public User

[Product Approval Menu](#) > **Application Detail**

OFFICE OF THE SECRETARY

FL #	FL20352-R4								
Application Type	Revision								
Code Version	2023								
Application Status	Approved								
Comments									
Archived	<input type="checkbox"/>								
Product Manufacturer	Mr-Glass Doors & Windows Manufacturing, LLC								
Address/Phone/Email	8051 NW 79th Place Medley, FL 33166 (305) 470-8284 ulises@mrglasswindows.com								
Authorized Signature	Ulises Senaris ulises@mrglasswindows.com								
Technical Representative	Augusto Arias								
Address/Phone/Email	8120 NW 84th St Medley, FL 33166 (305) 470-8284 aarias@mrglasswindows.com								
Quality Assurance Representative									
Address/Phone/Email									
Category	Windows								
Subcategory	Single Hung								
Compliance Method	Evaluation Report from a Florida Registered Architect or a Licensed Florida Professional Engineer <input type="checkbox"/> Evaluation Report - Hardcopy Received								
Florida Engineer or Architect Name who developed the Evaluation Report	Jalal Farooq								
Florida License	PE-81223								
Quality Assurance Entity	Keystone Certifications, Inc.								
Quality Assurance Contract Expiration Date	08/27/2025								
Validated By	Abel Carrasco, PE <input checked="" type="checkbox"/> Validation Checklist - Hardcopy Received								
Certificate of Independence	<a href="#">FL20352_R4_COI_SS - Certificate of Independence 2023.pdf</a>								
Referenced Standard and Year (of Standard)	<table border="0"> <thead> <tr> <th><b>Standard</b></th> <th><b>Year</b></th> </tr> </thead> <tbody> <tr> <td>TAS 201</td> <td>1994</td> </tr> <tr> <td>TAS 202</td> <td>1994</td> </tr> <tr> <td>TAS 203</td> <td>1994</td> </tr> </tbody> </table>	<b>Standard</b>	<b>Year</b>	TAS 201	1994	TAS 202	1994	TAS 203	1994
<b>Standard</b>	<b>Year</b>								
TAS 201	1994								
TAS 202	1994								
TAS 203	1994								
Equivalence of Product Standards Certified By									
Sections from the Code									

Product Approval Method Method 1 Option D

Date Submitted 07/25/2023  
 Date Validated 07/26/2023  
 Date Pending FBC Approval 07/28/2023  
 Date Approved 10/17/2023

**Summary of Products**

FL #	Model, Number or Name	Description
20352.1	Series MG-200 Aluminum Single Hung Window	Large missile impact resistant aluminum single hung window.
<b>Limits of Use</b> Approved for use in HVHZ: Yes Approved for use outside HVHZ: Yes Impact Resistant: Yes Design Pressure: +80/-140 Other: See attached drawing W16-20 for span vs. load combination and installation details.		<b>Installation Instructions</b> <a href="#">FL20352_R4_II_SS - MG-200 SH (LMI) -DWG W16-20 (2023).pdf</a> Verified By: Jalal Farooq PE 81223 Created by Independent Third Party: Yes <b>Evaluation Reports</b> <a href="#">FL20352_R4_AE_SS - MG-200 SH (LMI) -PAE 2023.pdf</a> Created by Independent Third Party: Yes
20352.2	Series MG-200 Aluminum Single Hung Window	Small missile impact resistant aluminum single hung window.
<b>Limits of Use</b> Approved for use in HVHZ: Yes Approved for use outside HVHZ: Yes Impact Resistant: Yes Design Pressure: +80/-140 Other: See attached drawing W16-21 for span vs. load combination and installation details.		<b>Installation Instructions</b> <a href="#">FL20352_R4_II_SS - MG-200 SH (SMI) -DWG W16-21 (2023).pdf</a> Verified By: Jalal Farooq PE 81223 Created by Independent Third Party: Yes <b>Evaluation Reports</b> <a href="#">FL20352_R4_AE_SS - MG-200 SH (SMI) -PAE 2023.pdf</a> Created by Independent Third Party: Yes

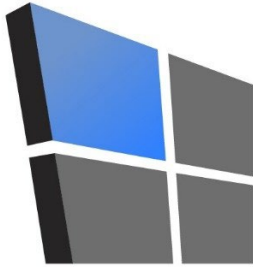
[Back](#) [Next](#)

[Contact Us :: 2601 Blair Stone Road, Tallahassee FL 32399 Phone: 850-487-1824](#)

The State of Florida is an AA/EEO employer. [Copyright 2007-2013 State of Florida.](#) :: [Privacy Statement](#) :: [Accessibility Statement](#) :: [Refund Statement](#)

Under Florida law, email addresses are public records. If you do not want your e-mail address released in response to a public-records request, do not send electronic mail to this entity. Instead, contact the office by phone or by traditional mail. If you have any questions, please contact 850.487.1395. \*Pursuant to Section 455.275(1), Florida Statutes, effective October 1, 2012, licensees licensed under Chapter 455, F.S. must provide the Department with an email address if they have one. The emails provided may be used for official communication with the licensee. However email addresses are public record. If you do not wish to supply a personal address, please provide the Department with an email address which can be made available to the public. To determine if you are a licensee under Chapter 455, F.S., please click [here](#).





# AL-FAROOQ CORPORATION

CONSULTING ENGINEERS & PRODUCT DEVELOPMENT

January 23, 2023

Product Approval Administrator  
Building Codes & Standards Section  
Department of Business & Professional Regulations  
1940 North Monroe Street, Suite 90  
Tallahassee, FL 32399-2100

To whom it may concern,

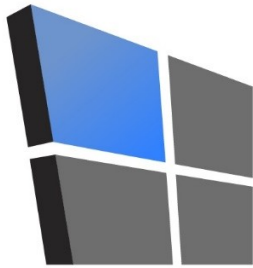
As the design engineer retained to prepare the product approval(s) associated with this letter as shown below on this same web page, I do hereby declare that I do not have and will not have any financial interest in any company manufacturing or distributing the referenced product(s), nor do I have or will have any financial interest with any other entity involved in the approval process of the referenced product(s).

Sincerely,



Jalal Farooq, P.E.  
CFO

Sealed: 1/23/2023



# AL-FAROOQ CORPORATION

CONSULTING ENGINEERS & PRODUCT DEVELOPMENT

## PRODUCT APPROVAL EVALUATION RULE CHAPTER #61G20-3 • METHOD 1 OPTION D

FL 20352  
Date: 07/24/2023

**Detailed Product Description:**

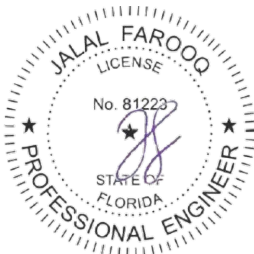
**Manufacturer:** MR-GLASS DOORS & WINDOWS MANUFACTURING LLC.

**Manufacturer Address:** 8051 NW 79th PLACE, MEDLEY, FL 33166

**Model Name:** SERIES MG-200 ALUMINUM SINGLE HUNG WINDOW

**Maximum Load:** +80 PSF, -140 PSF (Large Missile Impact)

**Installation Drawings #** W16-20

This product complies with the High Velocity Hurricane Zone (HVHZ) testing requirements.					
For maximum sizes, combination of span vs loads and anchor type refer to installation drawings.					
Comparative analysis used <input checked="" type="checkbox"/> Yes <input type="checkbox"/> No					
<b>Mandatory Tests (Tested in accordance with AAMA 101/I.S.2/NAFS/TAS-202)</b>					
TEST	DESCRIPTION	TEST LOCATION	TEST REPORT DATE	TEST REPORT #	Test Sealed by
ASTM E283	Air Infiltration Leakage	Fenestration Testing Laboratory, Inc.	03/11/2016	FTL-8827	Idalmis Ortega, P.E.
ASTM E331 OR ASTM 547 & TAS 202	Water Penetration	Fenestration Testing Laboratory, Inc.	03/11/2016	FTL-8827	Idalmis Ortega, P.E.
ASTM E330 & TAS 202	Uniform Static Air Press.	Fenestration Testing Laboratory, Inc.	03/11/2016	FTL-8827	Idalmis Ortega, P.E.
ASTM F 588	Forced Entry	Fenestration Testing Laboratory, Inc.	03/11/2016	FTL-8827	Idalmis Ortega, P.E.
<b>Supplemental Tests (Tested in accordance with TAS-201 and TAS-203)</b>					
TEST	DESCRIPTION	TEST LOCATION	TEST REPORT DATE	TEST REPORT #	Test Sealed by
FBC 1626.2 (TAS 201 & 203)	Large Missile Impact & Cyclic	Fenestration Testing Laboratory, Inc.	03/11/2016	FTL-8827	Idalmis Ortega, P.E.
Under the limitations of the attached installation drawings, to the best of my knowledge and ability, the above product conforms to the requirements of the 2023 Florida Building Code.					
<b>Evaluation Report Engineer:</b>					
Jalal Farooq Al-Farooq Corporation	PE # 81223 EB # 3538				
		Sealed: 7/24/2023			

THESE WINDOWS ARE RATED FOR LARGE & SMALL MISSILE IMPACT. SHUTTERS ARE NOT REQUIRED.

**SERIES MG-200**  
**ALUMINUM SINGLE HUNG WINDOW**

DESIGN LOAD RATINGS FOR THESE WINDOWS TO BE AS PER CHARTS SHOWN ON SHEET 3.

APPROVAL APPLIES TO SINGLE UNITS OR SIDE BY SIDE COMBINATIONS OF S.H./S.H. OR SINGLE HUNG WITH OTHER WINDOW TYPES IN MODULES OF TWO OR MORE WINDOWS USING F.B.C. APPROVED MULLIONS IN BETWEEN. LOWER DESIGN PRESSURE FROM WINDOWS OR MULLION APPROVAL WILL APPLY TO ENTIRE SYSTEM.

THIS PRODUCT HAS BEEN DESIGNED AND TESTED TO COMPLY WITH THE REQUIREMENTS OF THE 2020 (7TH EDITION)/2023 (8TH EDITION) FLORIDA BUILDING CODE INCLUDING HIGH VELOCITY HURRICANE ZONE (HVHZ).

1BY OR 2BY WOOD BUCKS & BUCK FASTENERS BY OTHERS, MUST BE DESIGNED AND INSTALLED ADEQUATELY TO TRANSFER APPLIED PRODUCT LOADS TO THE BUILDING STRUCTURE.

ANCHORS SHALL BE CORROSION RESISTANT, SPACED AS SHOWN ON DETAILS AND INSTALLED PER MANUF'S INSTRUCTIONS. SPECIFIED EMBEDMENT TO BASE MATERIAL SHALL BE BEYOND WALL DRESSING OR STUCCO.

A LOAD DURATION INCREASE IS USED IN DESIGN OF ANCHORS INTO WOOD ONLY.

ALL SHIMS TO BE HIGH IMPACT, NON-METALLIC AND NON-COMPRESSIBLE.

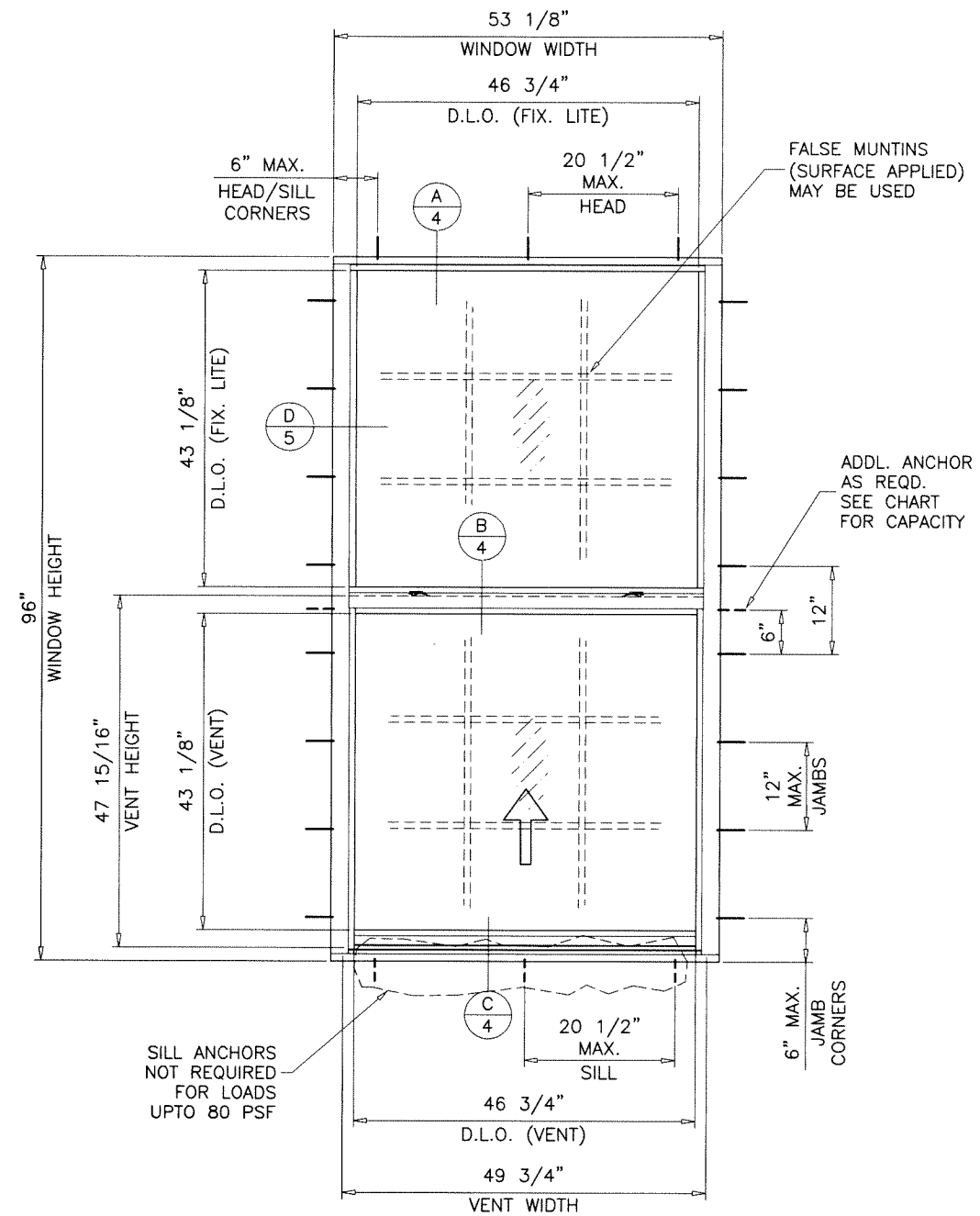
MATERIALS INCLUDING BUT NOT LIMITED TO STEEL/METAL SCREWS, THAT COME INTO CONTACT WITH OTHER DISSIMILAR MATERIALS SHALL MEET THE REQUIREMENTS OF THE 2020/2023 FLORIDA BLDG. CODE & ADOPTED STANDARDS.

THIS PRODUCT APPROVAL IS GENERIC AND DOES NOT PROVIDE INFORMATION FOR A SITE SPECIFIC PROJECT, I.E. LIFE SAFETY OF THIS PRODUCT, ADEQUACY OF STRUCTURE RECEIVING THIS PRODUCT AND SEALING AROUND OPENING FOR WATER INFILTRATION RESISTANCE ETC.

CONDITIONS NOT SHOWN IN THIS DRAWING ARE TO BE ANALYZED SEPARATELY, AND TO BE REVIEWED BY BUILDING OFFICIAL.

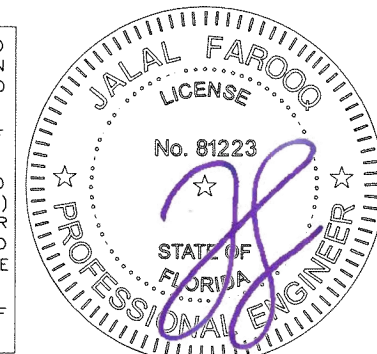
DESIGN LOADS SHOWN ARE BASED ON 'ALLOWABLE STRESS DESIGN (ASD)'. MANUFACTURER'S LABEL SHALL BE LOCATED ON A READILY VISIBLE LOCATION IN ACCORDANCE WITH SECTION 1709.9.3 OF FLORIDA BUILDING CODE.

LABELING TO COMPLY WITH SECTION 1709.9.2.



**TYPICAL ELEVATION**  
TESTED UNIT

A- CONTRACTOR TO BE RESPONSIBLE FOR THE SELECTION, PURCHASE AND INSTALLATION OF THIS PRODUCT BASED ON THIS PRODUCT EVALUATION PROVIDED HE/SHE DOES NOT DEVIATE FROM THE CONDITIONS DETAILED ON THIS DOCUMENT.  
B- THIS PRODUCT EVALUATION DOCUMENT WILL BE CONSIDERED INVALID IF ALTERED BY ANY MEANS.  
C- SITE SPECIFIC PROJECTS SHALL BE PREPARED BY A FLORIDA REGISTERED ENGINEER OR ARCHITECT WHICH WILL BECOME THE ENGINEER OF RECORD (E.O.R.) FOR THE PROJECT AND WHO WILL BE RESPONSIBLE FOR THE PROPER USE OF THE P.E.D. ENGINEER OF RECORD, ACTING AS A DELEGATED ENGINEER TO THE P.E.D. ENGINEER SHALL SUBMIT TO THIS LATTER THE SITE SPECIFIC DRAWINGS FOR REVIEW.  
D- THIS P.E.D. SHALL BEAR THE DATE AND ORIGINAL SEAL AND SIGNATURE OF THE PROFESSIONAL ENGINEER OF RECORD THAT PREPARED IT.



Sealed: 7/24/2023

FL #20352.1

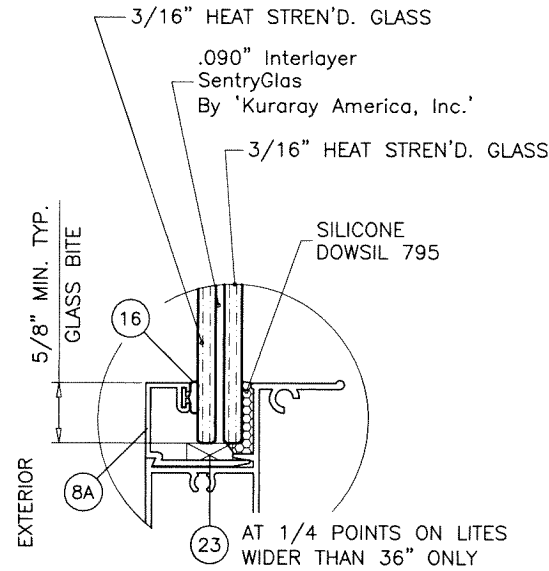
**af c**  
**AL-FAROOQ CORPORATION**  
ENGINEERS & PRODUCT DEVELOPMENT  
9360 SUNSET DRIVE, SUITE 220  
MIAMI, FLORIDA 33173 (C.A.N. 3538)  
TEL. (305) 264-8100 FAX. (305) 262-6978  
COMP-ANL\W16-20MG

MG-200 ALUM SINGLE HUNG WINDOW (L.M.I.)  
**MR-GLASS DOORS & WINDOWS MANUFACTURING, LLC**  
8051 N.W. 79th Place  
Medley, FL 33166  
Tel. (305) 764-3963 Fax. (305) 470-8285

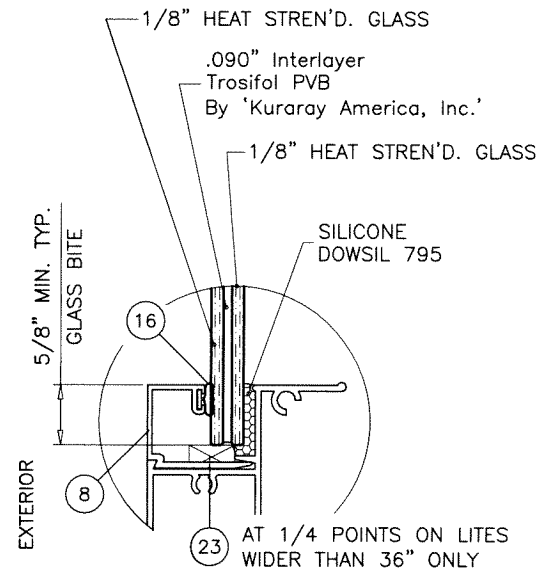
no	date	description
A	01.12.18	UPDATED TO 2017 FBC
B	07.24.20	UPDATED TO 2020 FBC
C	07.21.23	UPDATED TO 2023 FBC

revisions:  
date: 04-15-16  
scale: 1/2"=1'-0"  
dr. by: TARIQ  
chk. by:

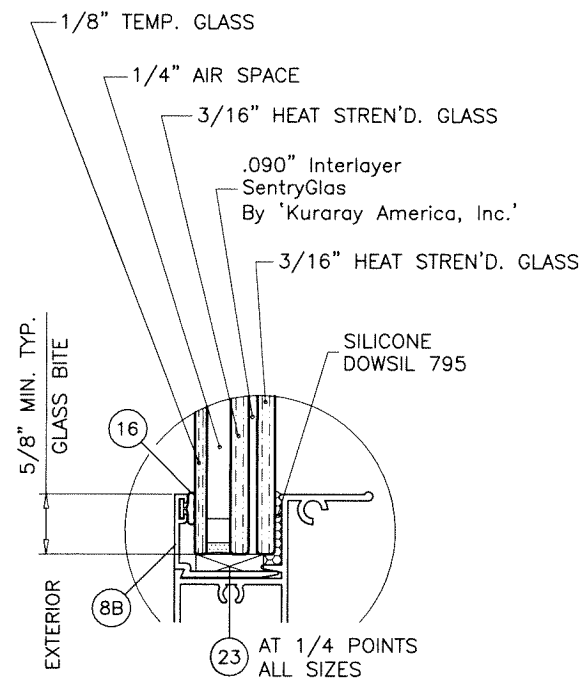
drawing no.  
**W16-20**  
sheet 1 of 8



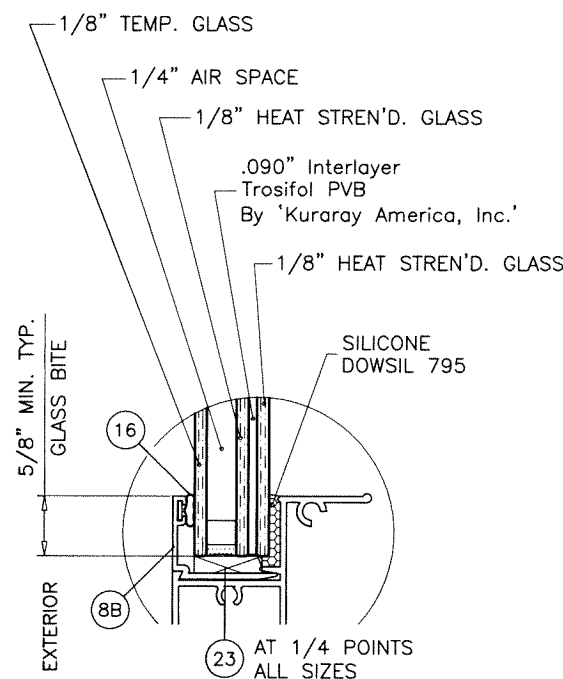
**GLASS TYPE 'A'**  
7/16" OVERALL LAM. GLASS



**GLASS TYPE 'B'**  
5/16" OVERALL LAM. GLASS



**GLASS TYPE 'A1'**  
7/8" OVERALL INSUL. LAM. GLASS

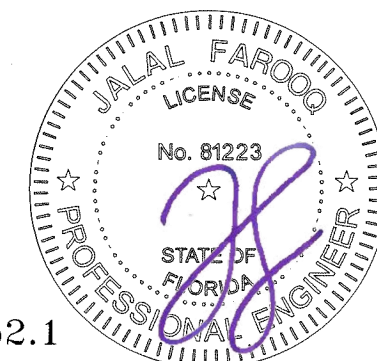


**GLASS TYPE 'B1'**  
11/16" OVERALL INSUL. LAM. GLASS

**GLAZING OPTIONS**

**1/4" AIR SPACE CONSISTING OF:**  
**SPACER:**  
 'HELIMA' LOW PROFILE ALUMINUM SPACER  
 BY 'LINGERMANN GMBH'  
 AROUND THE PERIMETER OF THE GLASS.  
**PERIMETER SEALANT:**  
 SILICONE  
 DOWSIL 791  
 GE 2000  
 OR  
 'DURASEAL' EDGE SEAL SYSTEM  
 BY 'QUANEX'

Sealed: 7/24/2023



FL #20352.1

**afc**

**AL-FAROOQ CORPORATION**  
 ENGINEERS & PRODUCT DEVELOPMENT  
 9360 SUNSET DRIVE, SUITE 220  
 MIAMI, FLORIDA 33173 (C.A.N. 3538)  
 TEL. (305) 264-8100 FAX. (305) 262-6978  
 COMP-ANL\W16-20MG

---

MG-200 ALUM SINGLE HUNG WINDOW (L.M.I.)  
 MR-GLASS DOORS & WINDOWS MANUFACTURING, LLC  
 8051 N.W. 79th Place  
 Medley, FL 33166  
 Tel. (305) 764-3963 Fax. (305) 470-8285

no	date	by	description

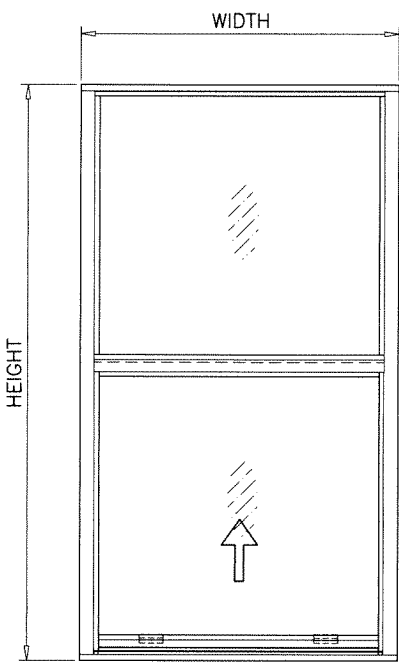
date: 04-15-16  
 scale: 1/2" = 1"  
 dr. by: TARIQ  
 chk. by:

drawing no.  
**W16-20**  
 sheet 2 of 8

EQUAL LITES WINDOWS					
DESIGN LOAD CAPACITY - PSF					
FLANGE DIMS.		GLASS TYPES 'A' & 'A1'		GLASS TYPES 'B' & 'B1'	
WIDTH	HEIGHT	EXT.(+)	1NT.(-)	EXT.(+)	1NT.(-)
19-1/8"	38-3/8" (4)	80.0	140.0	80.0	80.0
26-1/2"		80.0	140.0	80.0	80.0
30"		80.0	140.0	80.0	80.0
37"		80.0	140.0	80.0	80.0
48"		80.0	140.0	80.0	80.0
53-1/8"	50-5/8" (6)	80.0	140.0	80.0	80.0
19-1/8"		80.0	140.0	80.0	80.0
26-1/2"		80.0	140.0	80.0	80.0
30"		80.0	140.0	80.0	80.0
37"		80.0	140.0	80.0	80.0
48"	63" (6)	80.0	140.0	80.0	80.0
53-1/8"		80.0	140.0	80.0	80.0
19-1/8"		80.0	140.0	80.0	80.0
26-1/2"		80.0	140.0	80.0	80.0
30"		80.0	140.0	80.0	80.0
37"	74-1/4" (8)	80.0	140.0	80.0	80.0
48"		80.0	140.0	80.0	80.0
53-1/8"		80.0	140.0	80.0	80.0
19-1/8"		80.0	140.0	80.0	80.0
26-1/2"		80.0	140.0	80.0	80.0
30"	76" (8)	80.0	140.0	80.0	80.0
37"		80.0	140.0	80.0	80.0
48"		80.0	140.0	80.0	80.0
53-1/8"		80.0	128.5	80.0	80.0
19-1/8"		84" (8)	80.0	140.0	-
26-1/2"	80.0		140.0	-	-
30"	80.0		140.0	-	-
37"	80.0		140.0	-	-
48"	80.0		140.0	-	-
53-1/8"	80.0	124.7	-	-	
19-1/8"	90" (8)	80.0	140.0	-	-
26-1/2"		80.0	140.0	-	-
30"		80.0	140.0	-	-
37"		80.0	140.0	-	-
48"		80.0	140.0	-	-
53-1/8"	80.0	123.1	-	-	
19-1/8"	96" (8)	80.0	140.0	-	-
26-1/2"		80.0	140.0	-	-
30"		80.0	140.0	-	-
37"		80.0	140.0	-	-
48"		80.0	140.0	-	-
53-1/8"	80.0	122.4	-	-	
53-1/8"	74-1/4"	80.0	140.0	-	-
53-1/8"	76"	80.0	140.0	-	-
53-1/8"	84"	80.0	140.0	-	-
53-1/8"	90"	80.0	140.0	-	-
53-1/8"	96"	80.0	140.0	-	-

NO. IN PARENTHESIS INDICATE NO. OF ANCHORS PER JAMB.

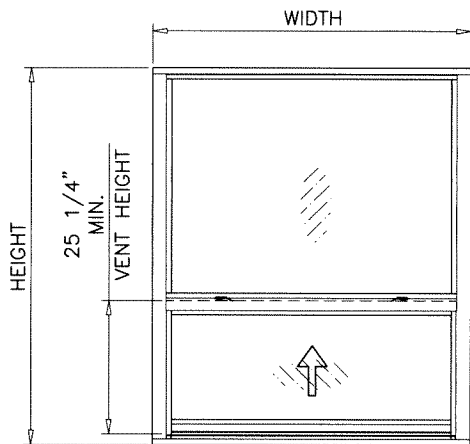
ADDL. ANCHOR AT MTC. RAIL



EQUAL LITES

UNEQUAL LITES WINDOWS				
DESIGN LOAD CAPACITY - PSF				
FLANGE DIMS.		GLASS TYPES 'A' & 'A1'		
WIDTH	HEIGHT	EXT.(+)	1NT.(-)	
19-1/8"	63" (7)	80.0	140.0	
26-1/2"		80.0	140.0	
37"		80.0	140.0	
40"		80.0	140.0	
43"		80.0	140.0	
48"		80.0	140.0	
50"		80.0	140.0	
52"		80.0	140.0	
53-1/8"		80.0	140.0	
19-1/8"		74-1/4" (8)	80.0	140.0
26-1/2"	80.0		140.0	
37"	80.0		140.0	
40"	80.0		140.0	
43"	80.0		140.0	
48"	80.0		140.0	
50"	80.0		140.0	
52"	80.0		140.0	
19-1/8"	76" (8)		80.0	140.0
26-1/2"			80.0	140.0
37"		80.0	140.0	
40"		80.0	140.0	
43"		80.0	140.0	
48"		80.0	140.0	
50"		80.0	140.0	
19-1/8"		84" (8)	80.0	140.0
26-1/2"			80.0	140.0
37"			80.0	140.0
40"	80.0		140.0	
43"	80.0		140.0	
19-1/8"	90" (9)	80.0	140.0	
26-1/2"		80.0	140.0	
37"		80.0	140.0	
19-1/8"	96" (9)	80.0	140.0	
26-1/2"		80.0	140.0	
37"	80.0	140.0		

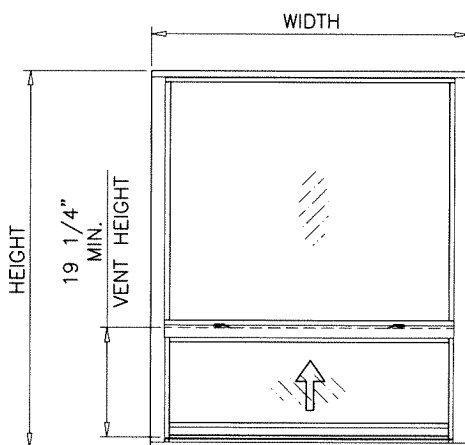
NO. IN PARENTHESIS INDICATE NO. OF ANCHORS PER JAMB.



UNEQUAL LITES (ORIEL TYPE)

UNEQUAL LITES WINDOWS				
DESIGN LOAD CAPACITY - PSF				
FLANGE DIMS.		GLASS TYPES 'B' & 'B1'		
WIDTH	HEIGHT	EXT.(+)	1NT.(-)	
19-1/8"	50-5/8" (6)	80.0	80.0	
26-1/2"		80.0	80.0	
30"		80.0	80.0	
32"		80.0	80.0	
36"		80.0	80.0	
37"		80.0	80.0	
46"		80.0	80.0	
48"		80.0	80.0	
53-1/8"		80.0	80.0	
19-1/8"		63" (6)	80.0	80.0
26-1/2"	80.0		80.0	
30"	80.0		80.0	
32"	80.0		80.0	
36"	80.0		80.0	
37"	80.0		80.0	
46"	80.0		80.0	
19-1/8"	74-1/4" (8)		80.0	80.0
26-1/2"			80.0	80.0
30"			80.0	80.0
32"		80.0	80.0	
36"		80.0	80.0	
19-1/8"	76" (8)	80.0	80.0	
26-1/2"		80.0	80.0	
30"		80.0	80.0	
36"		80.0	80.0	
19-1/8"	84" (8)	80.0	80.0	
26-1/2"		80.0	80.0	
30"		80.0	80.0	
32"	80.0	80.0		

NO. IN PARENTHESIS INDICATE NO. OF ANCHORS PER JAMB.



UNEQUAL LITES (ORIEL TYPE)

NOTE:  
GLASS CAPACITIES ON THIS SHEET ARE  
BASED ON ASTM E1300-09 (3 SEC. GUSTS)  
AND FLORIDA BUILDING COMMISSION  
DECLARATORY STATEMENT DCA05-DEC-219

Sealed: 7/24/2023

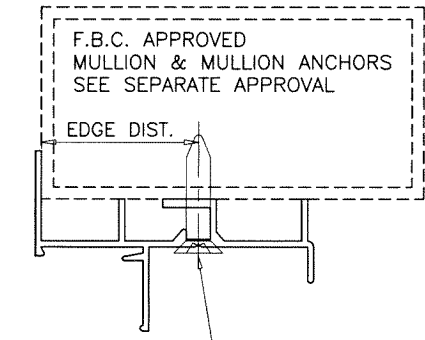
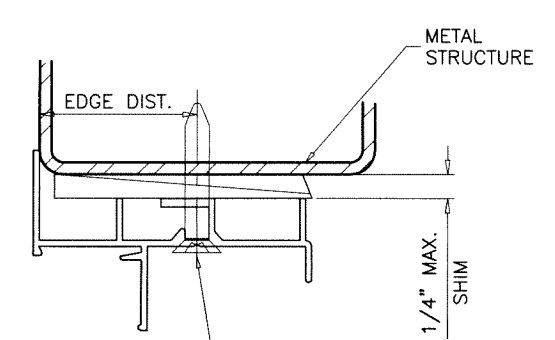
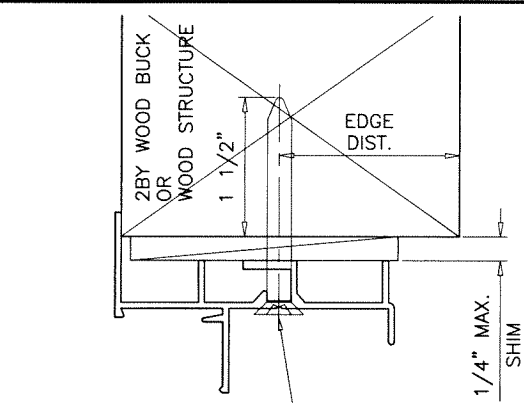
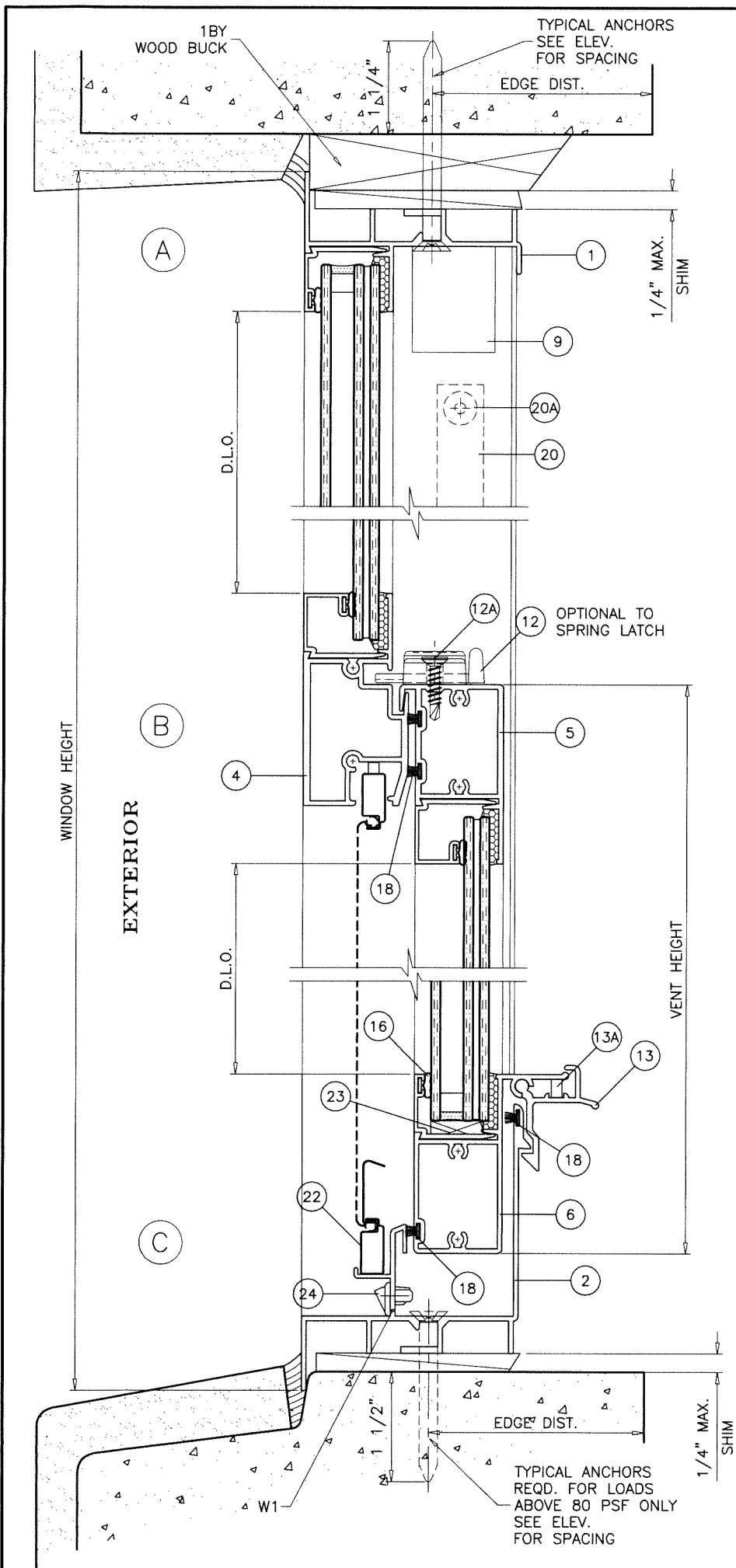


FL #20352.1

**AL-FAROOQ CORPORATION**  
ENGINEERS & PRODUCT DEVELOPMENT  
9360 SUNSET DRIVE, SUITE 220  
MIAMI, FLORIDA 33173  
TEL. (305) 264-8100 FAX. (305) 262-6978  
COMP-ANL W16-20MG

MG-200 ALUM SINGLE HUNG WINDOW (L.M.I.)  
**MR-GLASS DOORS & WINDOWS MANUFACTURING, LLC**  
8051 N.W. 79th Place  
Medley, FL. 33166  
Tel. (305) 764-3963 Fax. (305) 470-8285

revisions:	no	date	description
date:	04-15-16	scale:	-
dr. by:	TARIQ	chk. by:	
drawing no.	W16-20		
sheet	3 of 8		



TYPICAL ANCHORS  
SEE ELEV.  
FOR SPACING

TYPICAL ANCHORS  
SEE ELEV.  
FOR SPACING

TYPICAL ANCHORS  
SEE ELEV.  
FOR SPACING

WOOD BUCKS AND METAL STRUCTURE NOT BY 'MR-GLASS'  
MUST SUSTAIN LOADS IMPOSED BY GLAZING SYSTEM  
AND TRANSFER THEM TO THE BUILDING STRUCTURE.

**WEEPHOLES:**

W1 = 1-1/2" X 5/16" WEEPHOLES AT 5-1/2" FROM EACH END

**TYPICAL ANCHORS:** SEE ELEV. FOR SPACING

**1/4" DIA. ULTRACON+ BY 'DEWALT'** (Fu=164 KSI, Fy=148 KSI)  
INTO 2BY WOOD BUCKS OR WOOD STRUCTURES  
1-1/2" MIN. PENETRATION INTO WOOD (HEAD/SILL/JAMBS)

THRU 1BY BUCKS INTO CONC. OR BLOCKS  
1-1/4" MIN. EMBED INTO CONCRETE (HEAD/SILL/JAMBS)  
1-1/4" MIN. EMBED INTO BLOCKS (JAMBS)

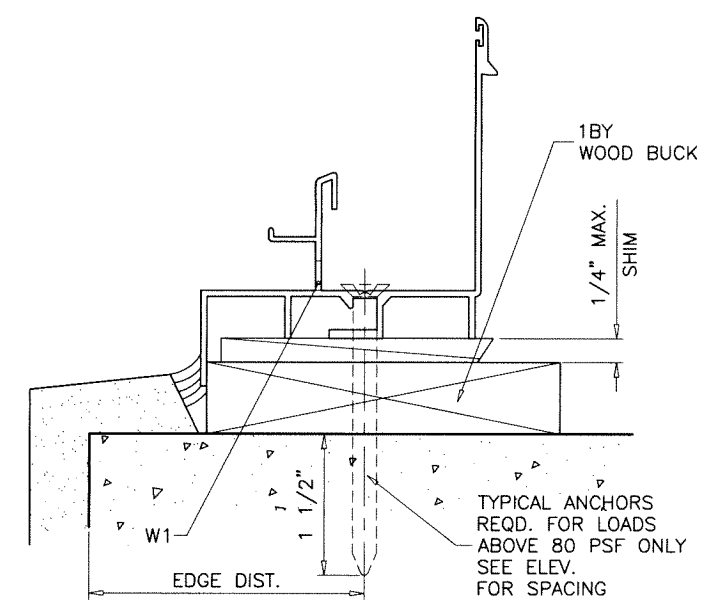
DIRECTLY INTO CONCRETE OR BLOCKS  
1-1/2" MIN. EMBED INTO CONCRETE (HEAD/SILL/JAMBS)  
1-1/4" MIN. EMBED INTO BLOCKS (JAMBS)

**#14 SMS OR SELF-DRILLING SCREWS** (GRADE 2 CRS)  
INTO F.B.C. APPROVED MULLIONS  
OR  
INTO METAL STRUCTURES (HEAD/SILL/JAMBS)  
(3) THREADS MIN. TO EXTEND BEYOND METAL THICKNESS  
ALUMINUM: 1/8" THK. MIN. (6063-T5 MIN.)  
STEEL: 1/8" THK. MIN. (Fy = 36 KSI MIN.)  
(STEEL IN CONTACT WITH ALUMINUM TO BE PLATED OR PAINTED)

**CRITICAL EDGE DISTANCE**

INTO CONCRETE AND BLOCKS = 2-1/2" MIN.  
INTO WOOD STRUCTURE = 1" MIN.  
INTO METAL STRUCTURE = 3/4" MIN.

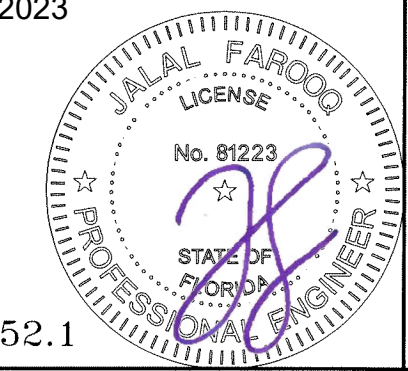
WOOD AT HEAD, SILL OR JAMBS SG = 0.55 MIN.  
CONCRETE AT HEAD, SILL OR JAMBS f'c = 3000 PSI MIN.  
C-90 HOLLOW/FILLED BLOCK AT JAMBS f'm = 2000 PSI MIN.



TYPICAL ANCHORS  
REQD. FOR LOADS  
ABOVE 80 PSF ONLY  
SEE ELEV.  
FOR SPACING

Sealed: 7/24/2023

FL #20352.1



**af c**  
**AL-FAROOQ CORPORATION**  
 ENGINEERS & PRODUCT DEVELOPMENT  
 9360 SUNSET DRIVE, SUITE 220  
 MIAMI, FLORIDA 33173 (C.A.N. 3538)  
 TEL. (305) 264-8100 FAX. (305) 262-6978  
 COMP-ANL\W16-20MG

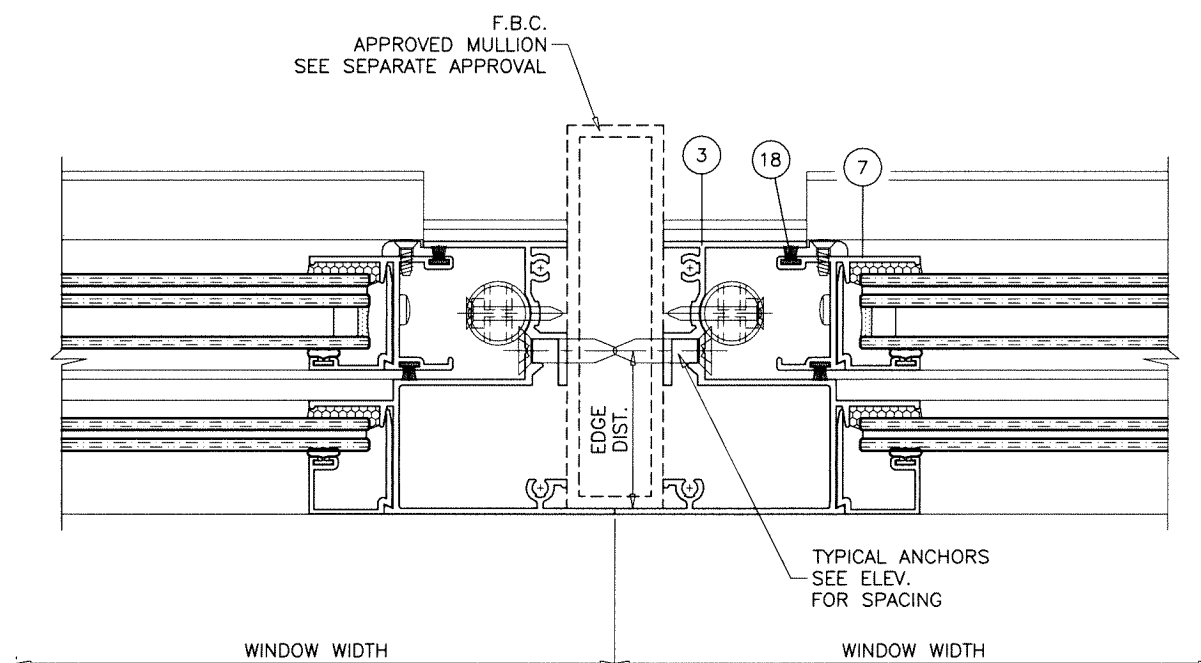
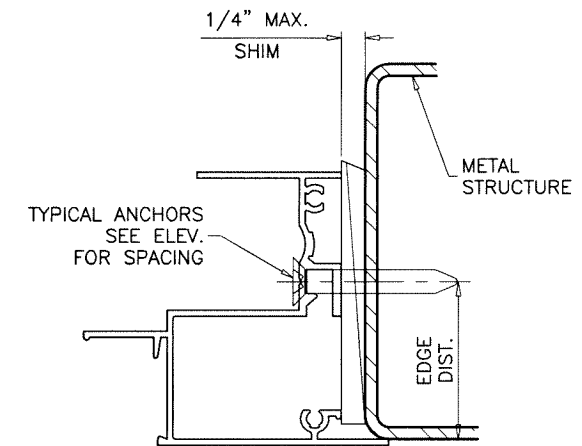
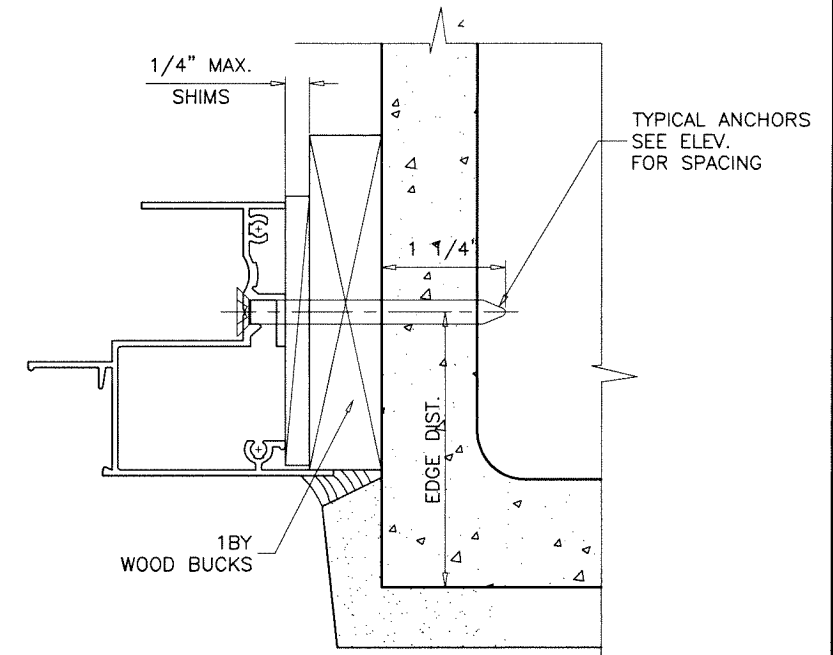
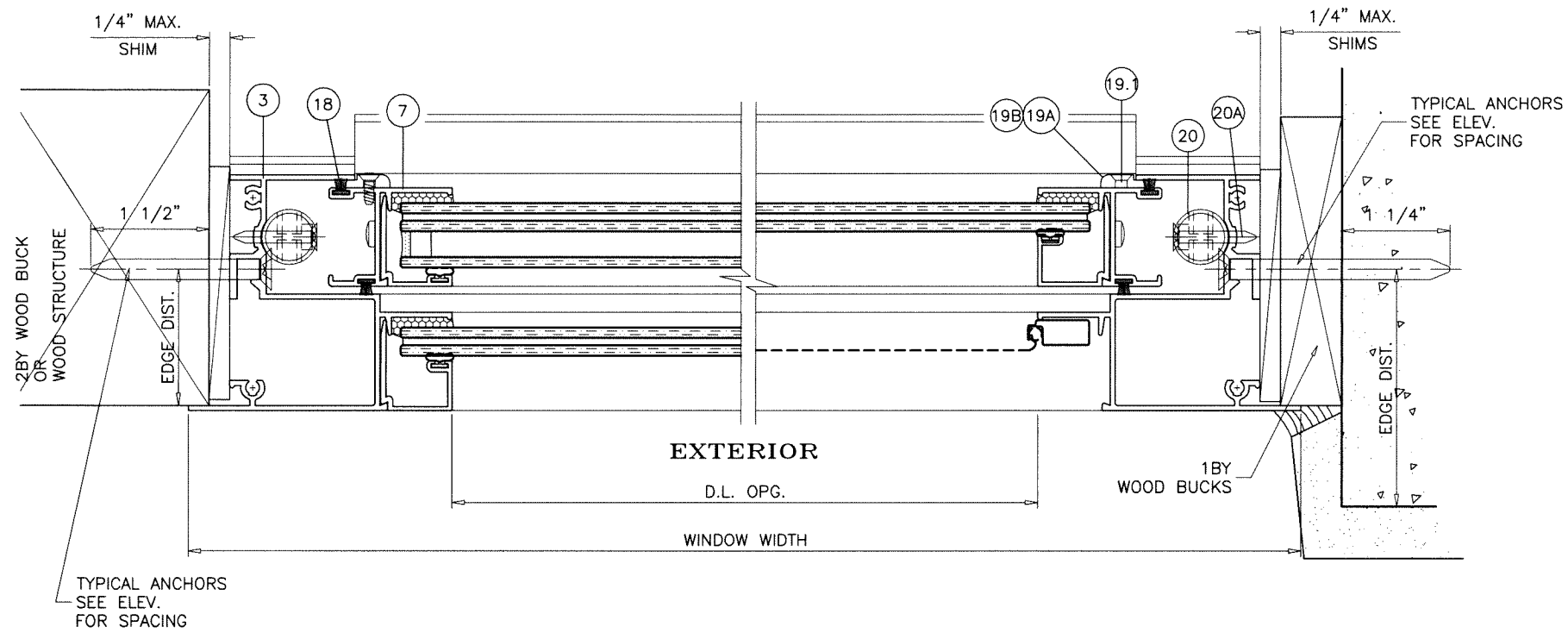
MG-200 ALUM SINGLE HUNG WINDOW (L.M.I.)  
 MR-GLASS DOORS & WINDOWS MANUFACTURING, LLC  
 8051 N.W. 79th Place  
 Medley, FL 33166  
 Tel. (305) 764-3963 Fax. (305) 470-8285

revisions:	no	date	by	description

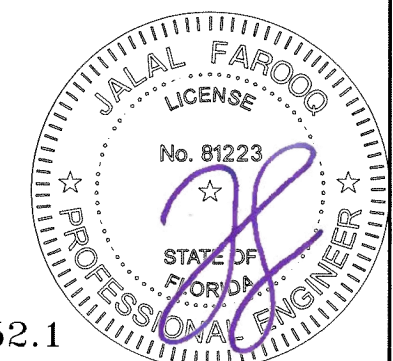
date: 04-15-16  
 scale: 1/2" = 1"  
 dr. by: TARIQ  
 chk. by:

drawing no.  
**W16-20**  
 sheet 4 of 8





Sealed: 7/24/2023



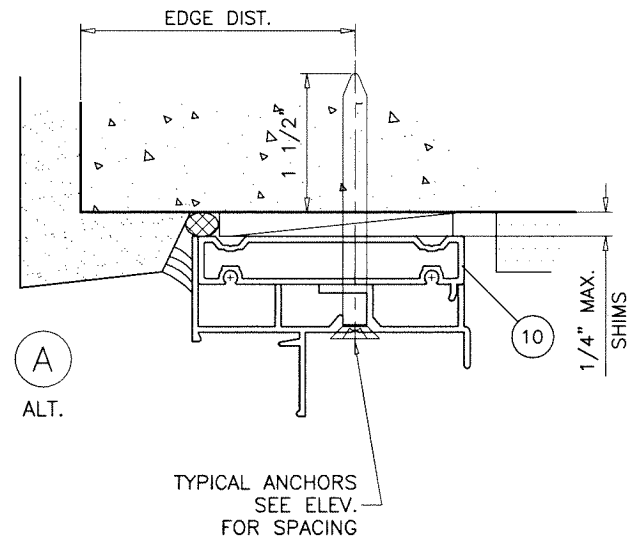
FL #20352.1

**af c**

**AL-FAROOQ CORPORATION**  
 ENGINEERS & PRODUCT DEVELOPMENT  
 9360 SUNSET DRIVE, SUITE 220 (C.A.N. 3538)  
 MIAMI, FLORIDA 33173  
 TEL. (305) 264-8100 FAX. (305) 262-6978  
 COMP-ANL W16-20MC

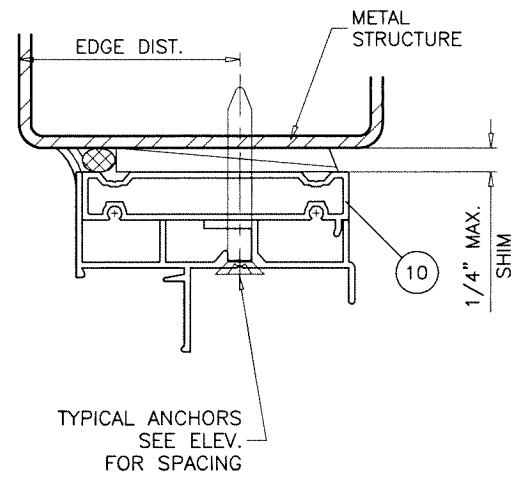
MG-200 ALUM SINGLE HUNG WINDOW (L.M.I.)  
 MR-GLASS DOORS & WINDOWS MANUFACTURING, LLC  
 8051 N.W. 79th Place  
 Medley, FL 33166  
 Tel. (305) 764-3963 Fax. (305) 470-8285

revisions:	no	date	by	description
date:	04-15-16			
scale:	1/2" = 1"			
dr. by:	TARIQ			
chk. by:				
drawing no.	W16-20			
sheet	5 of 8			

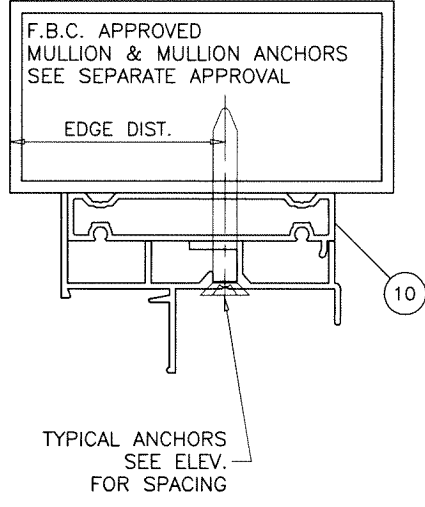


A  
ALT.

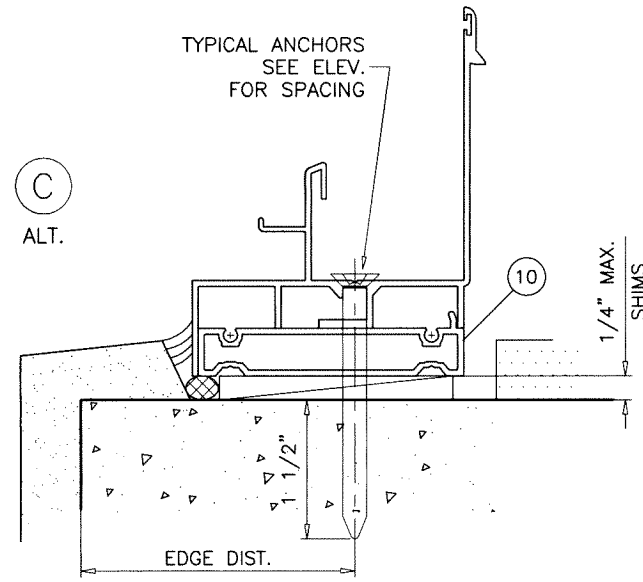
TYPICAL ANCHORS  
SEE ELEV.  
FOR SPACING



TYPICAL ANCHORS  
SEE ELEV.  
FOR SPACING

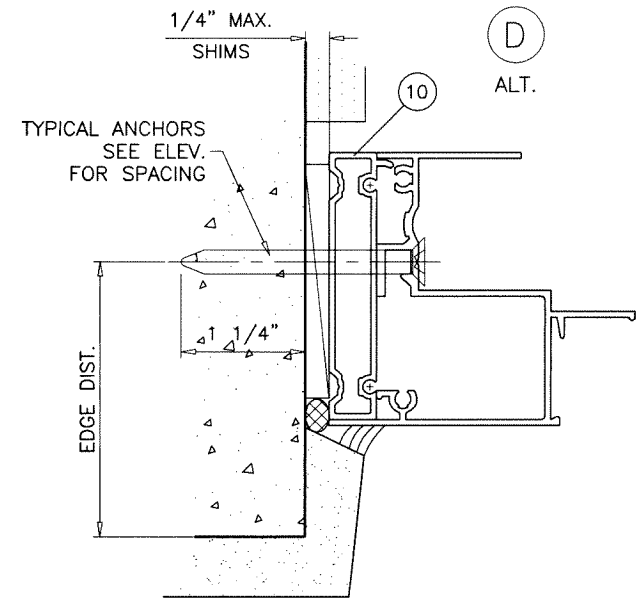


TYPICAL ANCHORS  
SEE ELEV.  
FOR SPACING



C  
ALT.

TYPICAL ANCHORS  
SEE ELEV.  
FOR SPACING



D  
ALT.

TYPICAL ANCHORS  
SEE ELEV.  
FOR SPACING

INSTALLATION DETAILS WITH FLUSH FRAME ADAPTER

FL #20352.1



Sealed: 7/24/2023

**afc**

**AL-FAROOQ CORPORATION**  
ENGINEERS & PRODUCT DEVELOPMENT  
9360 SUNSET DRIVE, SUITE 220 (C.A.N. 3538)  
MIAMI, FLORIDA 33173 TEL. (305) 264-8100 FAX. (305) 262-6978  
COMP-ANL\W16-20MG

---

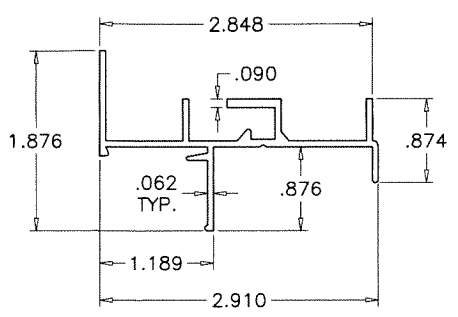
MG-200 ALUM SINGLE HUNG WINDOW (L.M.I.)  
MR-GLASS DOORS & WINDOWS MANUFACTURING, LLC  
8051 N.W. 79th Place  
Medley, FL. 33166  
Tel. (305) 764-3963 Fax. (305) 470-8285

revisions:	no date by description

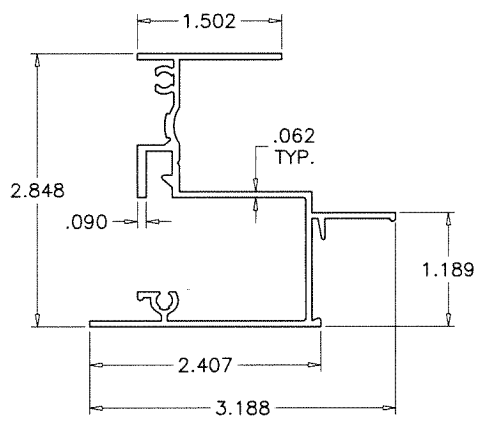
date: 04-15-16	scale: 1/2" = 1"	dr. by: TARIQ	chk. by:
----------------	------------------	---------------	----------

drawing no.  
**W16-20**

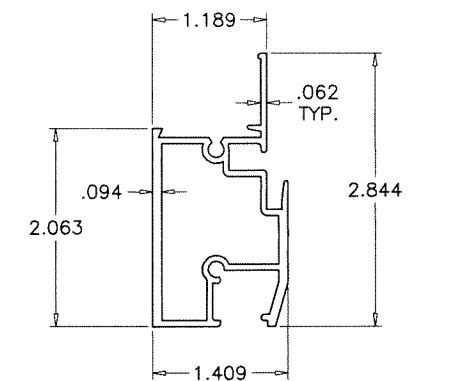
sheet 6 of 8



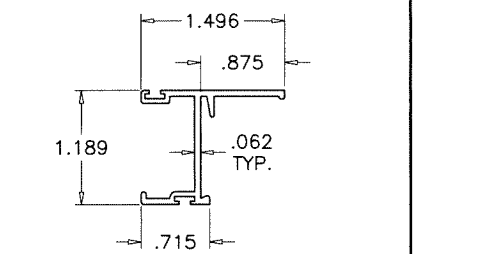
① FRAME HEAD



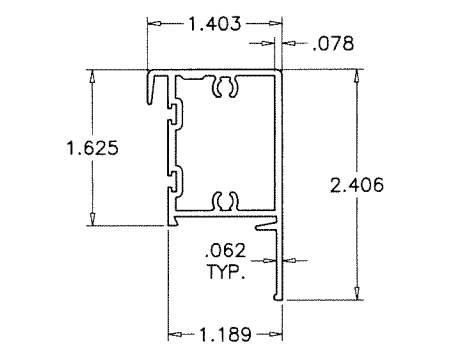
③ FRAME JAMB



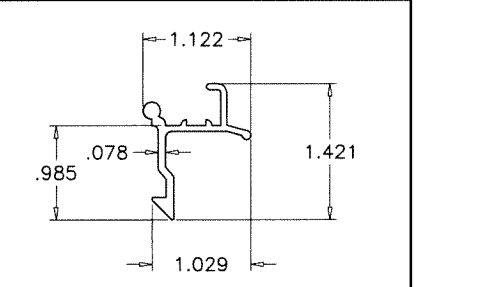
④ FIX. MEETING RAIL



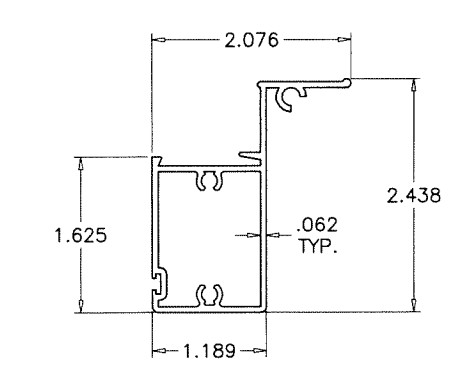
⑦ VENT SIDE RAIL



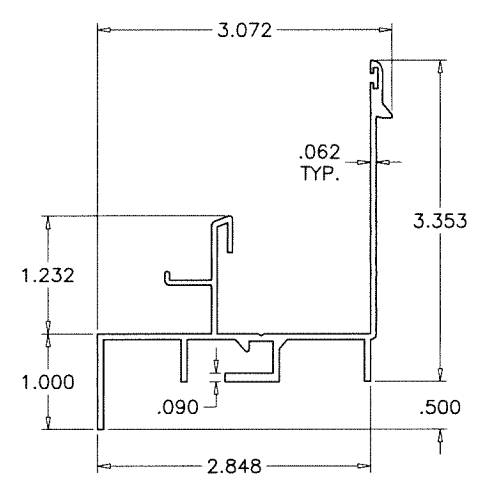
⑤ VENT TOP RAIL



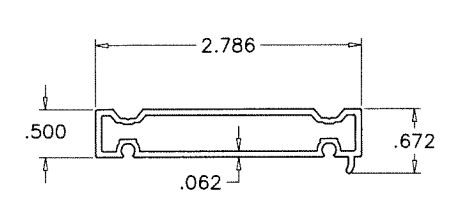
⑬ SPRING LOADED LATCH



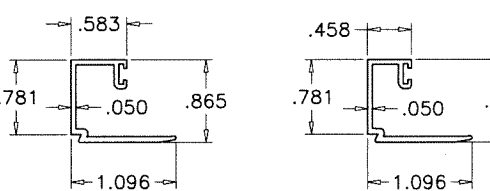
⑥ VENT BOTTOM RAIL



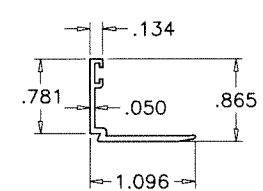
② FRAME SILL



⑩ FLUSH FRAME ADAPTER



⑧ GLAZING BEADS



⑧A GLAZING BEADS

ITEM #	PART #	REQD.	DESCRIPTION	MATERIAL	MANF./SUPPLIER/REMARKS
1	MG201	1	FRAME HEAD	6063-T6	-
2	MG202	1	FRAME SILL	6063-T6	-
3	MG203	2	FRAME JAMB	6063-T6	-
4	MG204	1	FIXED MTG. RAIL	6063-T6	-
5	MG205	1	VENT TOP RAIL	6063-T6	-
6	MG206	1	VENT BOTTOM RAIL	6063-T6	-
7	MG207	2	VENT SIDE RAIL	6063-T6	-
8	MG208	AS RQD.	GLAZING BEAD (5/16" GLASS)	6063-T6	-
8A	MG209	AS RQD.	GLAZING BEAD (7/16" GLASS)	6063-T6	-
8B	MG210	AS RQD.	GLAZING BEAD (INSUL. LAM. GLASS)	6063-T6	-
9	-	2/VENT	SASH STOP	6063-T6	-
10	MG212	AS REQD.	FLUSH FRAME ADAPTER	6063-T6	-
11	-	-	-	-	-
12	SL203P	2/ VENT	SWEEP LATCH	ZAMAK	SULLIVAN & ASSOC.
12A	#8 X 5/8"	2/ LATCH	LATCH INST. SCREWS	ST. STEEL	OH SMS
13	MG211	2/ VENT	SPRING LOADED LATCH	6063-T6	ALTERNATE TO SWEEP LATCH
13A	-	2/ LATCH	LATCH SPRING	ST. STEEL	-
14	#10 X 1"	AS REQD.	FRAME & VENT ASSEMBLY SCREWS	CRS	PH SMS
16	E202	AS REQD.	GLAZING BEAD BULB	NEOPRENE	ULTRAFAB
18	W73231NK000B	AS REQD.	SIDE RAIL FIN SEAL W'STRIPPING	-	ULTRAFAB
19A	MG221	2/ VENT	VENT BOTTOM GUIDE	CELCON	M&M PLASTICS
19B	MG222	2/ VENT	VENT TOP GUIDE	CELCON	M&M PLASTICS
19.1	#6 X 5/8"	1/ GUIDE	SASH GUIDE INST. SCREW	CRS	FH SMS TYPE B
20	SL-14A-044	2/VENT	ULTRALIFT SPIRAL BALANCE	-	CALDWELL
20A	#10 X 1-1/4"	1/ BALANCE	BALANCE INST. SCREW	-	OH SMS TYPE B
22	-	1	5/16" BOX SCREEN	-	OPTIONAL
23	-	2/ LITE	SETTING BLOCK AT 1/4 POINTS	EPDM	DUROMETER 80±5 SHORE A
24	-	2	HI-FLOW WEEPER	-	PREFERRED ENGINEERING PRODUCTS

Sealed: 7/24/2023

JALAL FAROOQ  
LICENSE  
No. 81223  
STATE OF FLORIDA  
PROFESSIONAL ENGINEER

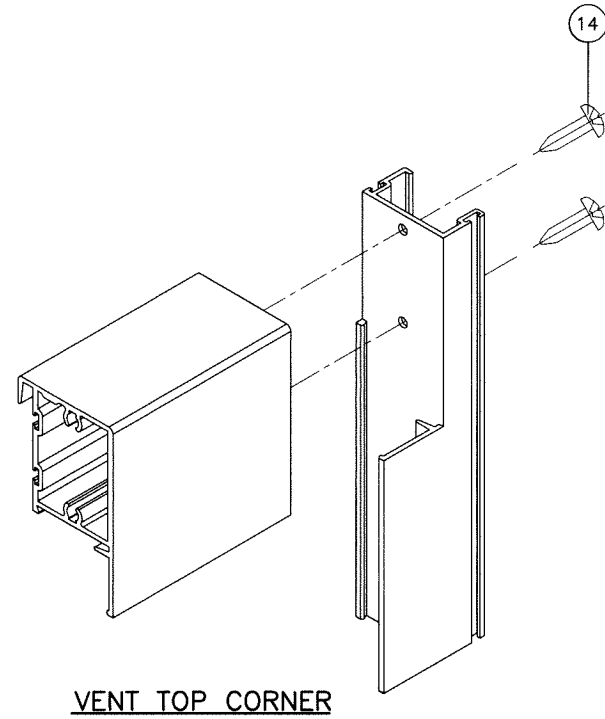
FL #20352.1

**af c**  
**AL-FAROOQ CORPORATION**  
 ENGINEERS & PRODUCT DEVELOPMENT  
 9360 SUNSET DRIVE, SUITE 220  
 MIAMI, FLORIDA 33173 (C.A.N. 3538)  
 TEL. (305) 264-8100 FAX. (305) 262-6978  
 COMP-ANL\W16-20MG

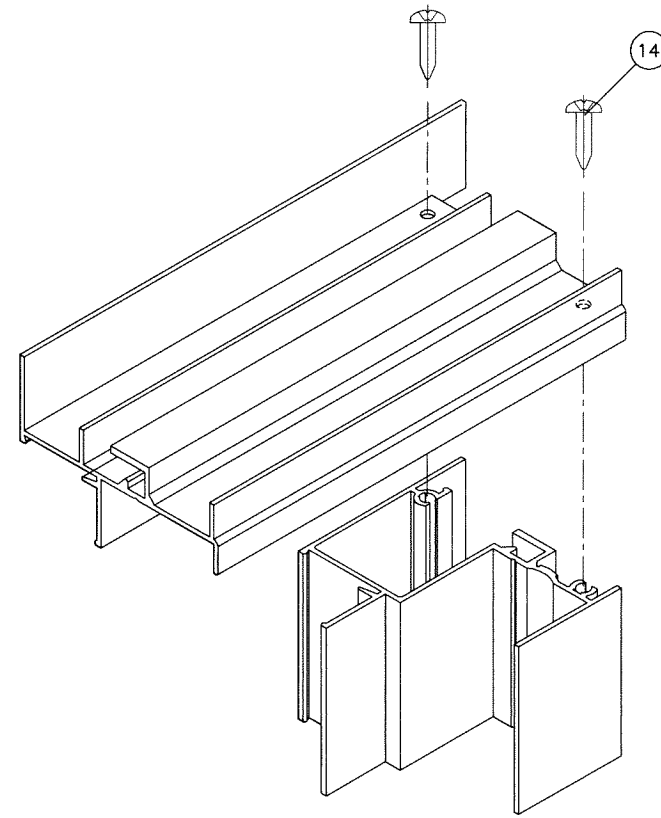
MG-200 ALUM SINGLE HUNG WINDOW (L.M.I.)  
**MR-GLASS DOORS & WINDOWS MANUFACTURING, LLC**  
 8051 N.W. 79th Place  
 Medley, FL. 33166  
 Tel. (305) 764-3963 Fax. (305) 470-8285

revisions:	no	date	by	description

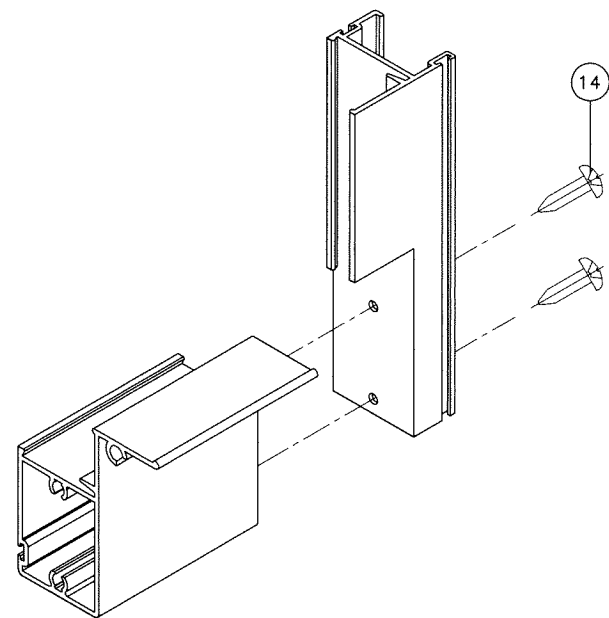
date: 04-15-16  
 scale: 1/2" = 1"  
 dr. by: TARIQ  
 chk. by:  
 drawing no.  
**W16-20**  
 sheet 7 of 8



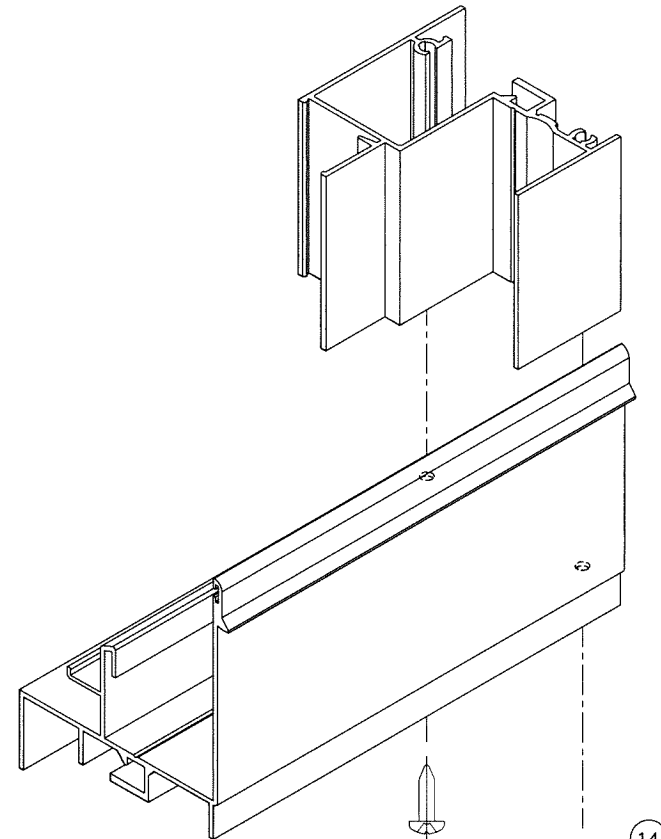
VENT TOP CORNER



FRAME TOP CORNER

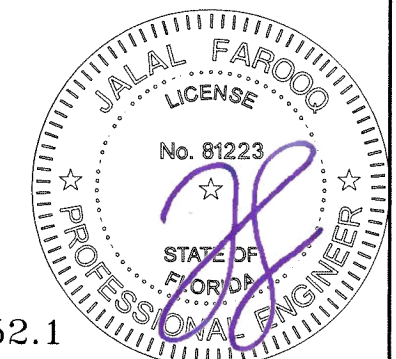


VENT BOTTOM CORNER

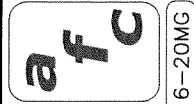


FRAME BOTTOM CORNER

Sealed: 7/24/2023



FL #20352.1



**AL-FAROOQ CORPORATION**  
 ENGINEERS & PRODUCT DEVELOPMENT  
 9360 SUNSET DRIVE, SUITE 220  
 MIAMI, FLORIDA 33173 (C.A.N. 3538)  
 TEL. (305) 264-8100 FAX. (305) 262-6978

MG-200 ALUM SINGLE HUNG WINDOW (L.M.I.)  
**MR-GLASS DOORS & WINDOWS MANUFACTURING, LLC**  
 8051 N.W. 79th Place  
 Medley, FL 33166  
 Tel. (305) 764-3963 Fax. (305) 470-8285

revisions:	no	date	by	description

date: 04-15-16  
 scale: 1/2" = 1"  
 dr. by: TARIQ  
 chk. by:

drawing no.  
**W16-20**  
 sheet 8 of 8

COMP-ANL\W16-20MG