



[DBPR HOME](#) | [ABOUT DBPR](#) | [DBPR DIVISIONS](#) | [CONTACT DBPR](#)

[BCIS Home](#) | [Log In](#) | [User Registration](#) | [Hot Topics](#) | [Submit Surcharge](#) | [Stats & Facts](#) | [Publications](#) | [Contact Us](#) | [BCIS Site Map](#) | [Links](#) | [Search](#)



**Product Approval**  
 USER: Public User

[Product Approval Menu](#) > [Product or Application Search](#) > [Application List](#) > **Application Detail**

OFFICE OF THE SECRETARY

FL #	FL26942-R5												
Application Type	Revision												
Code Version	2023												
Application Status	Approved												
Comments													
Archived	<input type="checkbox"/>												
Product Manufacturer	Mr-Glass Doors & Windows Manufacturing, LLC												
Address/Phone/Email	8051 NW 79th Place Medley, FL 33166 (305) 470-8284 ulises@mrglasswindows.com												
Authorized Signature	Ulises Senaris ulises@mrglasswindows.com												
Technical Representative	Augusto Arias												
Address/Phone/Email	8120 NW 84th St Medley, FL 33166 (305) 470-8284 aarias@mrglasswindows.com												
Quality Assurance Representative													
Address/Phone/Email													
Category	Exterior Doors												
Subcategory	Swinging Exterior Door Assemblies												
Compliance Method	Evaluation Report from a Florida Registered Architect or a Licensed Florida Professional Engineer <input type="checkbox"/> Evaluation Report - Hardcopy Received												
Florida Engineer or Architect Name who developed the Evaluation Report	Jalal Farooq												
Florida License	PE-81223												
Quality Assurance Entity	Keystone Certifications, Inc.												
Quality Assurance Contract Expiration Date	08/27/2025												
Validated By	Abel Carrasco, PE <input checked="" type="checkbox"/> Validation Checklist - Hardcopy Received												
Certificate of Independence	<a href="#">FL26942_R5_COI_SS - Certificate of Independence 2023.pdf</a>												
Referenced Standard and Year (of Standard)	<table border="0"> <thead> <tr> <th><b>Standard</b></th> <th><b>Year</b></th> </tr> </thead> <tbody> <tr> <td>ASTM E1886</td> <td>2013</td> </tr> <tr> <td>ASTM E1996</td> <td>2014</td> </tr> <tr> <td>TAS-201</td> <td>1994</td> </tr> <tr> <td>TAS-202</td> <td>1994</td> </tr> <tr> <td>TAS-203</td> <td>1994</td> </tr> </tbody> </table>	<b>Standard</b>	<b>Year</b>	ASTM E1886	2013	ASTM E1996	2014	TAS-201	1994	TAS-202	1994	TAS-203	1994
<b>Standard</b>	<b>Year</b>												
ASTM E1886	2013												
ASTM E1996	2014												
TAS-201	1994												
TAS-202	1994												
TAS-203	1994												
Equivalence of Product Standards Certified By													

Sections from the Code

Product Approval Method Method 1 Option D

Date Submitted 08/15/2023

Date Validated 08/17/2023

Date Pending FBC Approval 08/19/2023

Date Approved 10/17/2023

**Summary of Products**

FL #	Model, Number or Name	Description
26942.1	Series 3000 Aluminum Outswing Entrance Door	Large missile impact resistant aluminum outswing entrance door.
<b>Limits of Use</b> <b>Approved for use in HVHZ:</b> Yes <b>Approved for use outside HVHZ:</b> Yes <b>Impact Resistant:</b> Yes <b>Design Pressure:</b> +80/-80 <b>Other:</b> See drawing 18-36F for span vs load combinations and installation details.		<b>Installation Instructions</b> <a href="#">FL26942_R5_II_SS - MG 3000 Alum OS Door (LMI) - DWG 18-36F 2023.pdf</a> Verified By: Jalal Farooq PE # 81223 Created by Independent Third Party: Yes <b>Evaluation Reports</b> <a href="#">FL26942_R5_AE_SS - MG 3000 Alum OS Door (LMI) - PAE 2023.pdf</a> Created by Independent Third Party: Yes
26942.2	Series MG3500 Residential Outswing Entry Door	Large missile impact resistant aluminum outswing entrance door
<b>Limits of Use</b> <b>Approved for use in HVHZ:</b> Yes <b>Approved for use outside HVHZ:</b> Yes <b>Impact Resistant:</b> Yes <b>Design Pressure:</b> +80/-80 <b>Other:</b> See drawing 23-29F for span vs load combinations and installation details		<b>Installation Instructions</b> <a href="#">FL26942_R5_II_SS - MG 3500 Resd Entry Door (LMI) - DWG 23-29F 2023.pdf</a> Verified By: Jalal Farooq PE # 81223 Created by Independent Third Party: Yes <b>Evaluation Reports</b> <a href="#">FL26942_R5_AE_SS - MG 3500 Resd Entry Door (LMI) - PAE 2023.pdf</a> Created by Independent Third Party: Yes

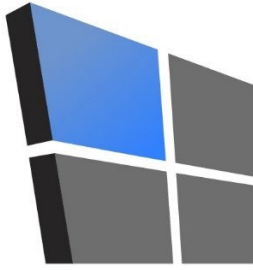
[Back](#) [Next](#)

Contact Us :: 2601 Blair Stone Road, Tallahassee FL 32399 Phone: 850-487-1824

The State of Florida is an AA/EEO employer. [Copyright 2007-2013 State of Florida.](#) :: [Privacy Statement](#) :: [Accessibility Statement](#) :: [Refund Statement](#)

Under Florida law, email addresses are public records. If you do not want your e-mail address released in response to a public-records request, do not send electronic mail to this entity. Instead, contact the office by phone or by traditional mail. If you have any questions, please contact 850.487.1395. \*Pursuant to Section 455.275(1), Florida Statutes, effective October 1, 2012, licensees licensed under Chapter 455, F.S. must provide the Department with an email address if they have one. The emails provided may be used for official communication with the licensee. However email addresses are public record. If you do not wish to supply a personal address, please provide the Department with an email address which can be made available to the public. To determine if you are a licensee under Chapter 455, F.S., please click [here](#).





# AL-FAROOQ CORPORATION

CONSULTING ENGINEERS & PRODUCT DEVELOPMENT

January 23, 2023

Product Approval Administrator  
Building Codes & Standards Section  
Department of Business & Professional Regulations  
1940 North Monroe Street, Suite 90  
Tallahassee, FL 32399-2100

To whom it may concern,

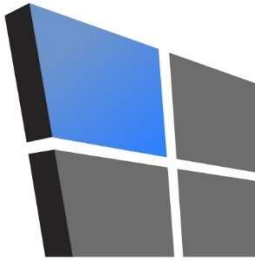
As the design engineer retained to prepare the product approval(s) associated with this letter as shown below on this same web page, I do hereby declare that I do not have and will not have any financial interest in any company manufacturing or distributing the referenced product(s), nor do I have or will have any financial interest with any other entity involved in the approval process of the referenced product(s).

Sincerely,



Jalal Farooq, P.E.  
CFO

Sealed: 1/23/2023



# AL-FAROOQ CORPORATION

CONSULTING ENGINEERS & PRODUCT DEVELOPMENT

## PRODUCT APPROVAL EVALUATION RULE CHAPTER #61G20-3 • METHOD 1 OPTION D

FL 26942

Date: 07/24/2023

**Detailed Product Description:**

**Manufacturer:** MR-GLASS DOORS & WINDOWS MANUFACTURING, LLC.

**Manufacturer Address:** 8051 NW 79th PLACE, MEDLEY, FL 33166

**Model Name:** SERIES 3000 ALUMINUM OUTSWING ENTRANCE DOOR

**Maximum Load:** +80 PSF, -80 PSF (Large Missile Impact)

**Installation Drawings #** 18-36F

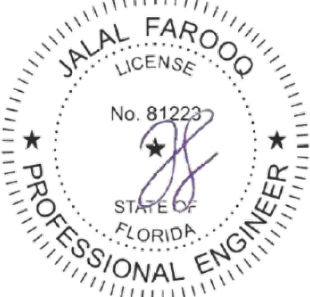
This product complies with the High Velocity Hurricane Zone (HVHZ) testing requirements.					
For maximum sizes, combination of span vs loads and anchor type refer to installation drawings.					
Comparative analysis used <input checked="" type="checkbox"/> Yes <input type="checkbox"/> No					
<b>Mandatory Tests (Tested in accordance with AAMA 101/I.S.2/NAFS/TAS-202)</b>					
Test	Description	Test Location	Test Report Date	Test Report #	Test Sealed By
ASTM E283	Air Infiltration Leakage	Hurricane Engineering & Testing, Inc	2/13/2018	HETI-18-6004	Rafael E. Droz-Seda, P.E.
			2/13/2018	HETI-18-6011	
			10/29/2021	HETI-21-7089	Ram N. Tewari, P.E.
			3/13/2023	HETI-23-8014	
			3/13/2023	HETI-23-8016	
5/26/2023	HETI-23-8024				
ASTM E331 OR ASTM 547 & TAS 202	Water Penetration	Hurricane Engineering & Testing, Inc	2/13/2018	HETI-18-6002	Rafael E. Droz-Seda, P.E.
			2/13/2018	HETI-18-6004	
			2/13/2018	HETI-18-6011	
			10/29/2021	HETI-21-7089	Ram N. Tewari, P.E.
			3/13/2023	HETI-23-8014	
3/13/2023	HETI-23-8016				
5/26/2023	HETI-23-8024				
ASTM E330 & TAS 202	Uniform Static Air Press.	Hurricane Engineering & Testing, Inc	2/13/2018	HETI-18-6001	Rafael E. Droz-Seda, P.E.
			2/13/2018	HETI-18-6002	
			2/13/2018	HETI-18-6004	
			2/13/2018	HETI-18-6011	
			10/29/2021	HETI-21-7089	Ram N. Tewari, P.E.
			10/19/2021	HETI-21-7086	
			3/13/2023	HETI-23-8014	
3/13/2023	HETI-23-8016				
5/26/2023	HETI-23-8024				

ASTM 1304	Forced Entry Test	Hurricane Engineering & Testing, Inc	2/13/2018	HETI-18-6001	Rafael E. Droz-Seda, P.E.
			2/13/2018	HETI-18-6002	
			2/13/2018	HETI-18-6004	
			2/13/2018	HETI-18-6011	
			10/29/2021	HETI-21-7089	Ram N. Tewari, P.E.
			10/19/2021	HETI-21-7086	
			3/13/2023	HETI-23-8014	
			3/13/2023	HETI-23-8016	
5/26/2023	HETI-23-8024				

**Supplemental Tests (Tested in accordance with TAS-201 and TAS-203)**

Test	Description	Test Location	Test Report Date	Test Report#	Test Sealed By
FBC 1626.2 (TAS 201 & 203) ASTM E1886 & E1996	Large Missile Impact & Cyclic	Hurricane Engineering & Testing, Inc	2/13/2018	HETI-18-6003	Rafael E. Droz-Seda, P.E.
			2/13/2018	HETI-18-6005	
			2/13/2018	HETI-18-6012	
			10/29/2021	HETI-21-7089	Ram N. Tewari, P.E.
			10/19/2021	HETI-21-7086	
			3/13/2023	HETI-23-8014	
			3/13/2023	HETI-23-8016	
			5/26/2023	HETI-23-8024	

Under the limitations of the attached installation drawings, to the best of my knowledge and ability, the above product conforms to the requirements of the 2023 Florida Building Code.

<p><b>Evaluation Report Engineer:</b></p>      <p>Jalal Farooq Al-Farooq Corporation</p> <p align="right">PE # 81223 EB # 3538</p>	<div align="center">  <p>Sealed: 7/27/2023</p> </div>
--	--

THESE DOORS ARE RATED FOR LARGE & SMALL MISSILE IMPACT.  
SHUTTERS ARE NOT REQUIRED.

**SERIES 3000**

**ALUMINUM OUTSWING ENTRANCE DOOR**

SINGLE (X) AND DOUBLE (XX) LEAF DOORS SEE SHEET 2.

STAND ALONE SINGLE SIDELITE SEE SHEET 3.

SINGLE AND DOUBLE LEAF DOORS WITH SIDELITES COMBINATIONS SEE SHEET 4.

LOWER VALUES FROM DOOR CAPACITY, SIDELITE CAPACITY OR MULLION CAPACITY WILL APPLY TO ENTIRE SYSTEM.

DOORS APPROVED FOR INSTALLATION WHERE WATER INFILTRATION RESISTANCE IS REQUIRED.

THIS PRODUCT HAS BEEN DESIGNED AND TESTED TO COMPLY WITH THE REQUIREMENTS OF THE 2020 (7TH EDITION)/2023 (8TH EDITION) FLORIDA BUILDING CODE INCLUDING HIGH VELOCITY HURRICANE ZONE (HVHZ).

1BY OR 2BY WOOD BUCKS & BUCK FASTENERS BY OTHERS, MUST BE DESIGNED AND INSTALLED ADEQUATELY TO TRANSFER APPLIED PRODUCT LOADS TO THE BUILDING STRUCTURE.

ANCHORS SHALL BE CORROSION RESISTANT, SPACED AS SHOWN ON DETAILS AND INSTALLED PER MANUF'S INSTRUCTIONS. SPECIFIED EMBEDMENT TO BASE MATERIAL SHALL BE BEYOND WALL DRESSING OR STUCCO.

A LOAD DURATION INCREASE IS USED IN DESIGN OF ANCHORS INTO WOOD ONLY.

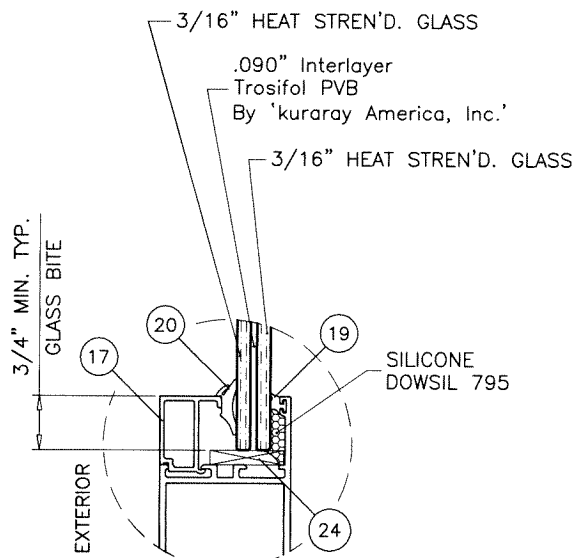
ALL SHIMS TO BE HIGH IMPACT, NON-METALLIC AND NON-COMPRESSIBLE.

MATERIALS INCLUDING BUT NOT LIMITED TO STEEL/METAL SCREWS, THAT COME INTO CONTACT WITH OTHER DISSIMILAR MATERIALS SHALL MEET THE REQUIREMENTS OF THE 2020/2023 FLORIDA BLDG. CODE & ADOPTED STANDARDS.

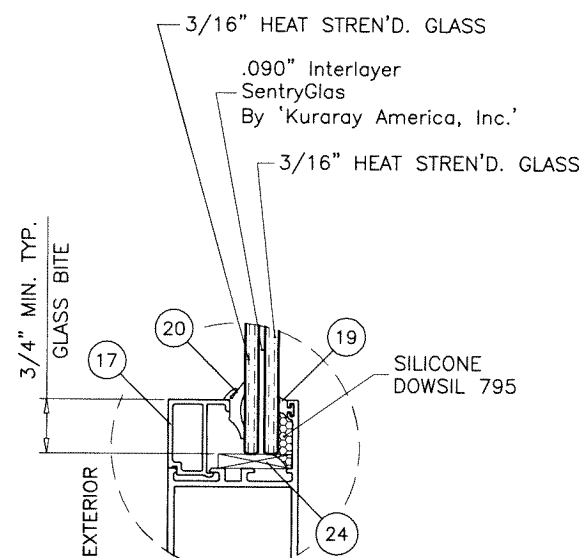
THIS PRODUCT APPROVAL IS GENERIC AND DOES NOT PROVIDE INFORMATION FOR A SITE SPECIFIC PROJECT, i.e. LIFE SAFETY OF THIS PRODUCT, ADEQUACY OF STRUCTURE RECEIVING THIS PRODUCT AND SEALING AROUND OPENING FOR WATER INFILTRATION RESISTANCE ETC.

CONDITIONS NOT SHOWN IN THIS DRAWING ARE TO BE ANALYZED SEPARATELY, AND TO BE REVIEWED BY BUILDING OFFICIAL.

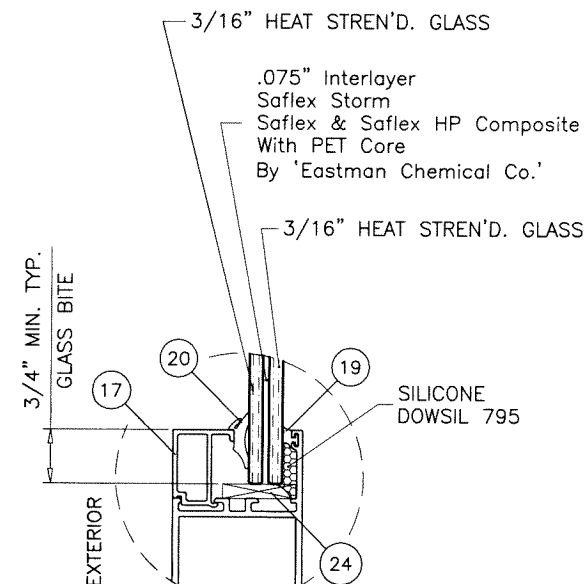
DESIGN LOADS SHOWN ARE BASED ON 'ALLOWABLE STRESS DESIGN (ASD)'.  
MANUFACTURER'S LABEL SHALL BE LOCATED ON A READILY VISIBLE LOCATION IN ACCORDANCE WITH SECTION 1709.9.3 OF FLORIDA BUILDING CODE. LABELING TO COMPLY WITH SECTION 1709.9.2.



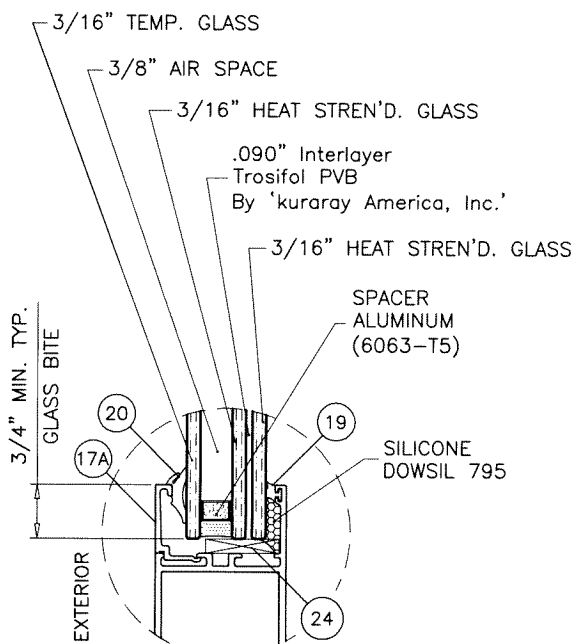
**GLASS TYPE 'A'**



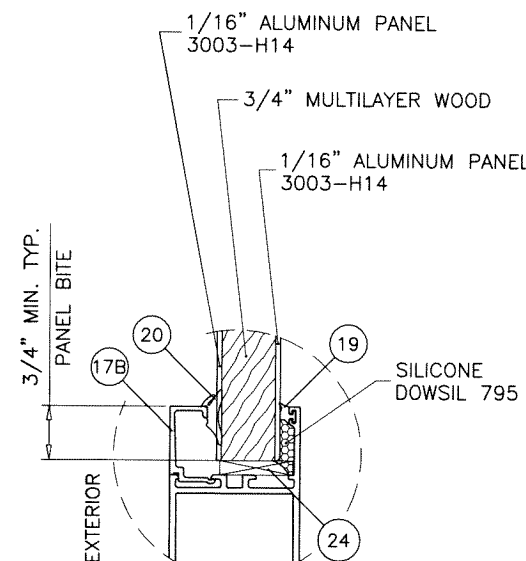
**GLASS TYPE 'B'**



**GLASS TYPE 'C'**



**GLASS TYPE 'Ai'**



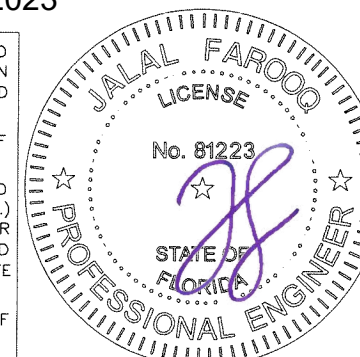
**7/8" OVERALL GLUED CLADDED PANEL**

EXTERIOR AND INTERIOR ALUMINUM CLADDING GLUED TO CENTER CORE WITH MRG-A-30-013

Sealed: 7/27/2023

FL #26942

A- CONTRACTOR TO BE RESPONSIBLE FOR THE SELECTION, PURCHASE AND INSTALLATION OF THIS PRODUCT BASED ON THIS PRODUCT EVALUATION PROVIDED HE/SHE DOES NOT DEVIATE FROM THE CONDITIONS DETAILED ON THIS DOCUMENT.  
B- THIS PRODUCT EVALUATION DOCUMENT WILL BE CONSIDERED INVALID IF ALTERED BY ANY MEANS.  
C- SITE SPECIFIC PROJECTS SHALL BE PREPARED BY A FLORIDA REGISTERED ENGINEER OR ARCHITECT WHICH WILL BECOME THE ENGINEER OF RECORD (E.O.R.) FOR THE PROJECT AND WHO WILL BE RESPONSIBLE FOR THE PROPER USE OF THE P.E.D. ENGINEER OF RECORD, ACTING AS A DELEGATED ENGINEER TO THE P.E.D. ENGINEER SHALL SUBMIT TO THIS LATTER THE SITE SPECIFIC DRAWINGS FOR REVIEW.  
D- THIS P.E.D. SHALL BEAR THE DATE AND ORIGINAL SEAL AND SIGNATURE OF THE PROFESSIONAL ENGINEER OF RECORD THAT PREPARED IT.



**af c**  
**AL-FAROOQ CORPORATION**  
ENGINEERS & PRODUCT DEVELOPMENT  
9360 SUNSET DRIVE, SUITE 220  
MIAMI, FLORIDA 33173 (C.A.N. 3538)  
TEL. (305) 264-8100 FAX. (305) 262-6978  
COMP-ANL 18-36F-MG

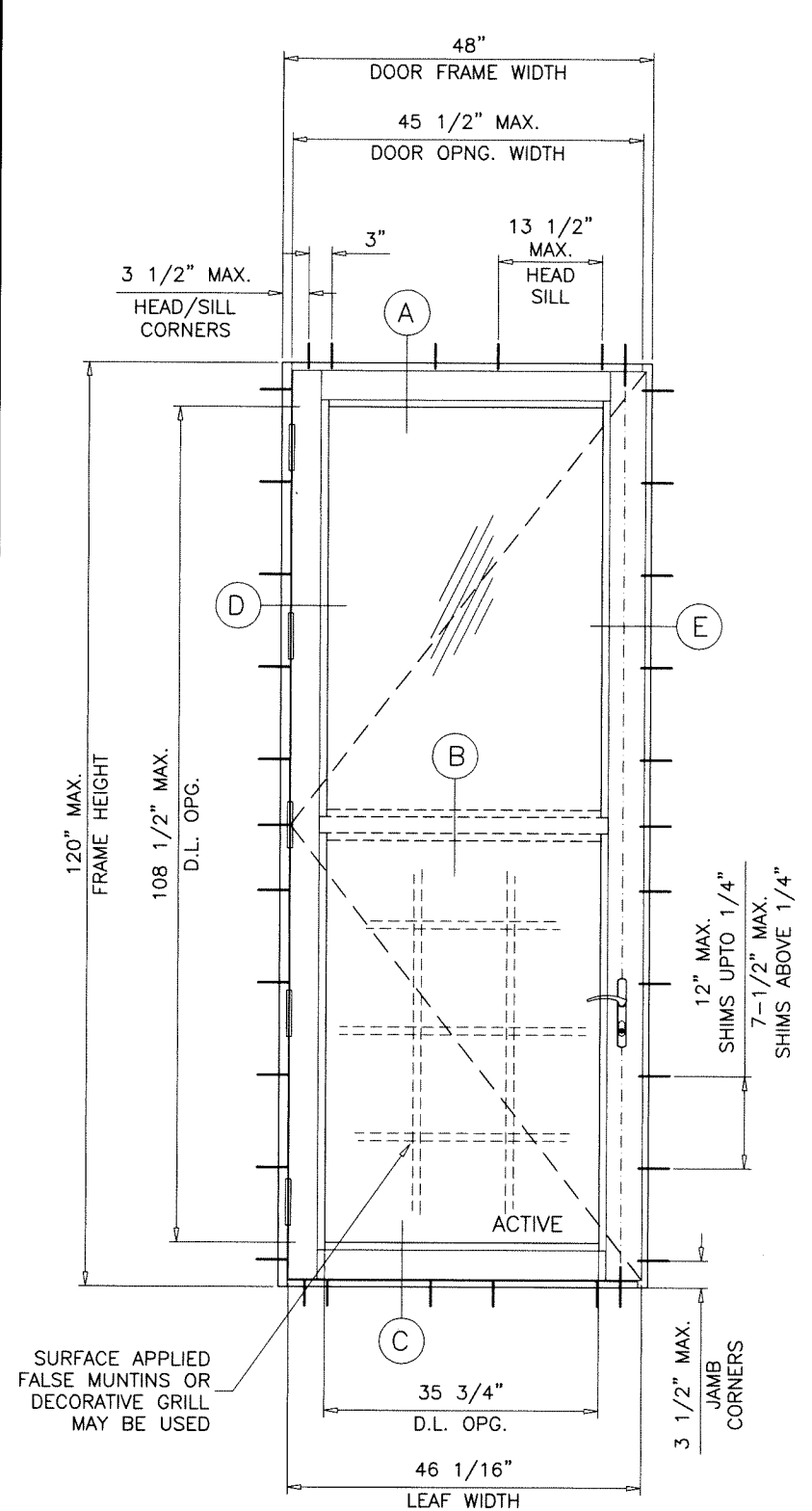
SERIES 3000 ALUMINUM OUTSWING DOOR (L.M.I.)  
**MR-GLASS DOORS & WINDOWS MANUFACTURING, LLC**  
8051 N.W. 79th Place  
Medley, FL. 33166  
Tel. (305) 764-3963 Fax. (305) 470-8285

no	date	by	description
A	07.22.20		UPDATED TO 2020 FBC
B	11.24.21		NEW TESTS ADDED
C	06.15.23		GENERAL REVISION
D	07.21.23		UPDATED TO 2023 FBC

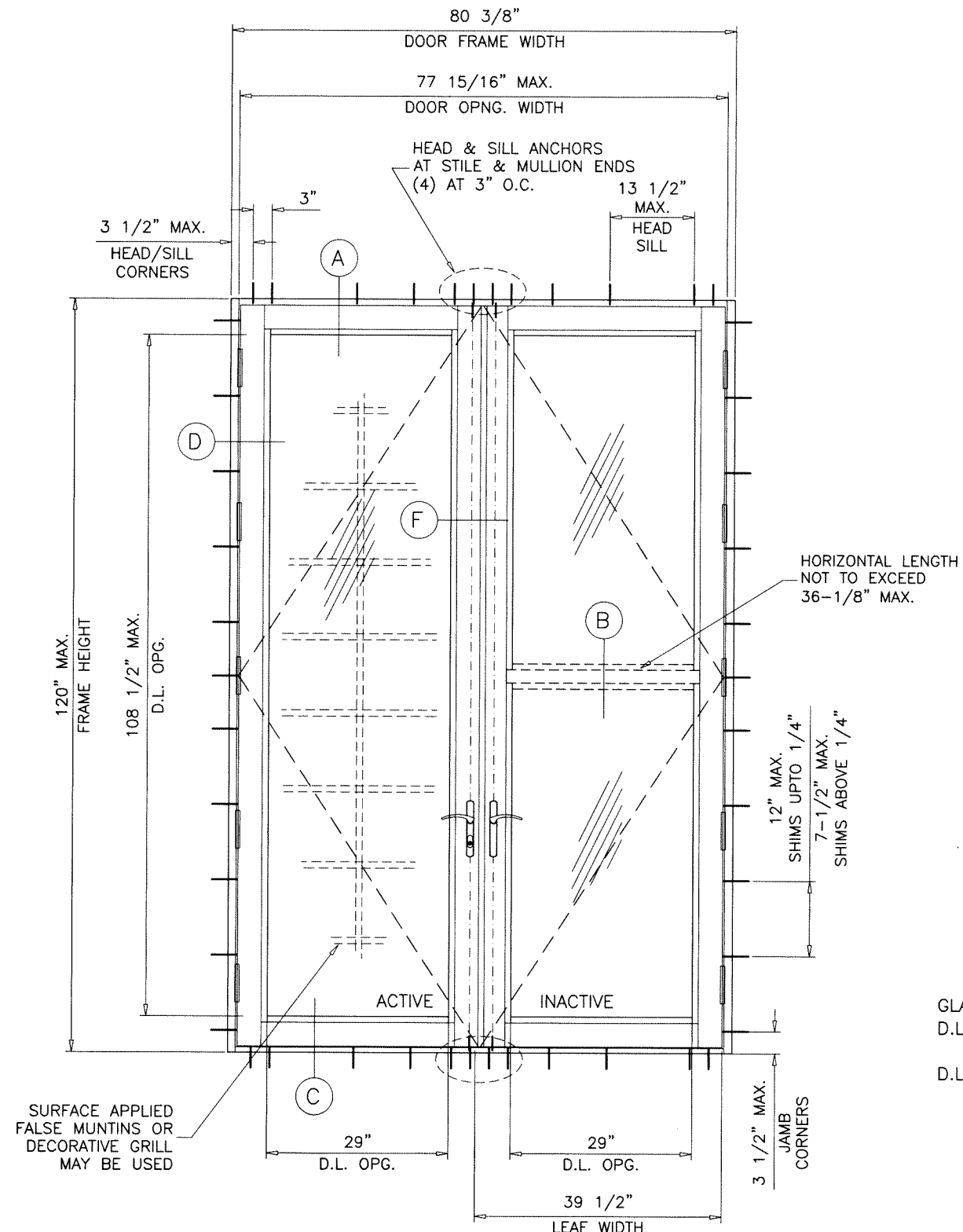
date: 03-20-18  
scale: 3/8" = 1"  
dr. by: TARIQ  
chk. by:

drawing no.  
**18-36F**

sheet 1 of 10



**TYPICAL ELEVATION**  
( X )



**TYPICAL ELEVATION**  
( XX )

HORIZONTAL LENGTH NOT TO EXCEED 36-1/8" MAX.

NOTE:  
EGRESS REQUIREMENTS TO BE REVIEWED BY BUILDING OFFICIAL.

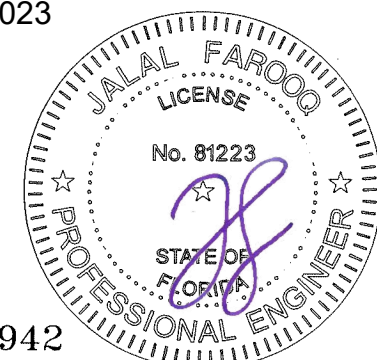
GLASS D.L.O. FORMULAE:  
D.L.O. WIDTH = FRAME WIDTH - 12.438" (X DOORS)  
= (FRAME WIDTH - 22.0")/2 (XX DOORS)  
D.L.O. HEIGHT = FRAME HEIGHT - 11.50"

NOTE:  
GLASS CAPACITIES ON THIS SHEET ARE BASED ON ASTM E1300-09 (3 SEC. GUSTS) AND FLORIDA BUILDING COMMISSION DECLARATORY STATEMENT DCA05-DEC-219

Sealed: 7/27/2023

DOORS LOAD CAPACITY - PSF SINGLE (X) DOORS									
SINGLE DOOR (X) DIMS.		GLASS						GLUED CLADDED PANEL	
		TYPE 'A' & 'Ai'		TYPE 'B'		TYPE 'C'			
FRAME WIDTH	FRAME HEIGHT	EXT.(+)	INT.(-)	EXT.(+)	INT.(-)	EXT.(+)	INT.(-)	EXT.(+)	INT.(-)
40-1/2"	98"	80.0	80.0	65.0	70.0	60.0	60.0	80.0	80.0
41-3/8"	120"	-	-	65.0	70.0	60.0	60.0	80.0	80.0
48"	120"	-	-	65.0	70.0	60.0	60.0	80.0	80.0

DOORS LOAD CAPACITY - PSF DOUBLE (XX) DOORS									
DOUBLE DOOR (XX) DIMS.		GLASS						GLUED CLADDED PANEL	
		TYPE 'A' & 'Ai'		TYPE 'B'		TYPE 'C'			
FRAME WIDTH	FRAME HEIGHT	EXT.(+)	INT.(-)	EXT.(+)	INT.(-)	EXT.(+)	INT.(-)	EXT.(+)	INT.(-)
78-1/2"	98"	80.0	80.0	65.0	70.0	60.0	60.0	80.0	80.0
80-3/8"	120"	-	-	-	-	60.0	60.0	60.0	60.0



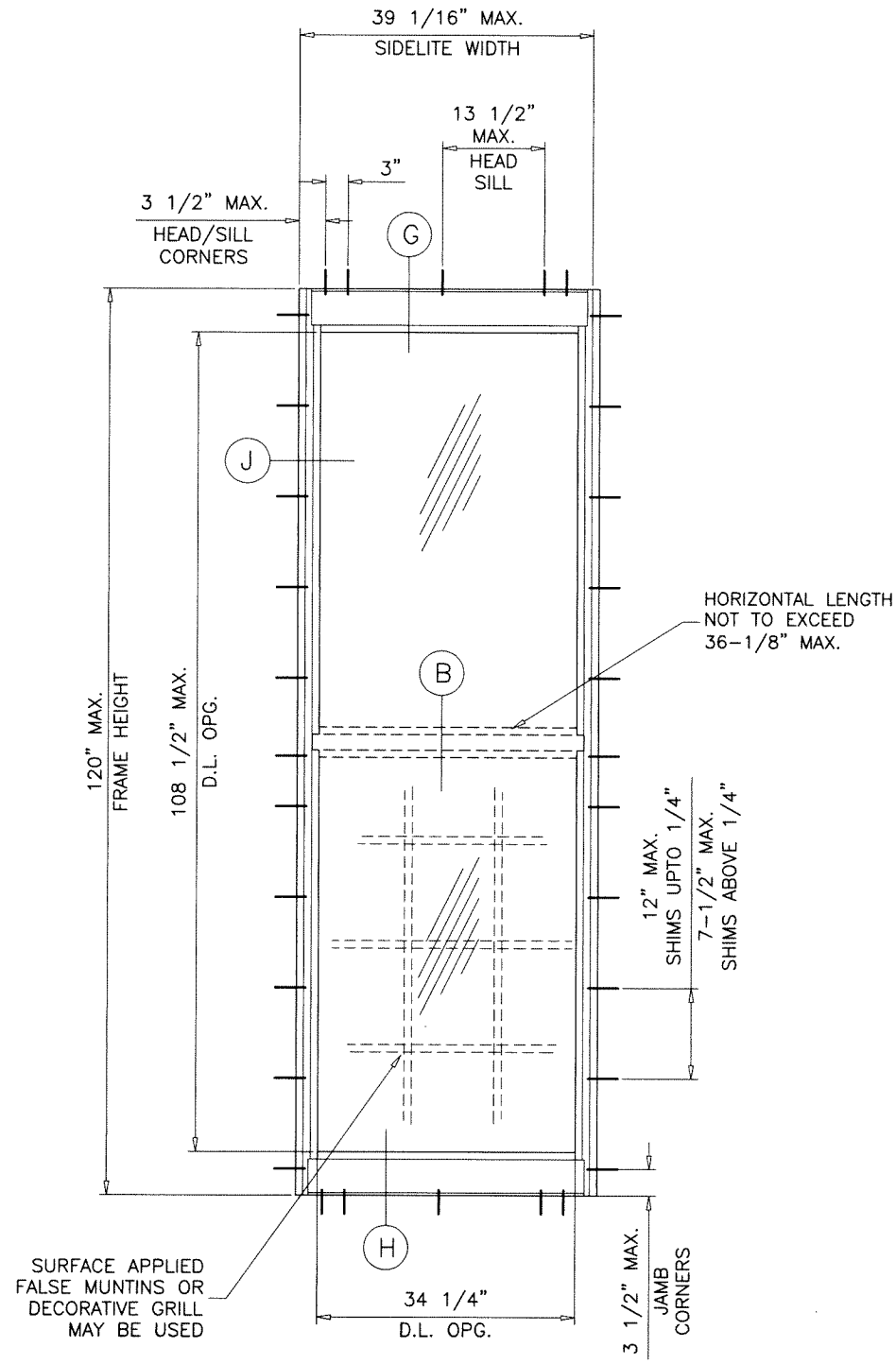
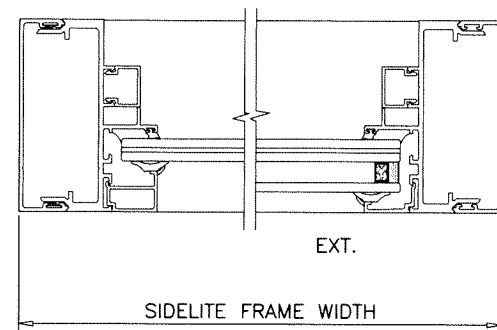
FL #26942

**AL-FAROOQ CORPORATION**  
ENGINEERS & PRODUCT DEVELOPMENT  
9360 SUNSET DRIVE, SUITE 220  
MIAMI, FLORIDA 33173  
TEL. (305) 264-8100 FAX. (305) 262-6978  
COMP-ANL 18-36F-MG

SERIES 3000 ALUMINUM OUTSWING DOOR (L.M.I.)  
**MR-GLASS DOORS & WINDOWS MANUFACTURING, LLC**  
8051 N.W. 79th Place  
Medley, FL. 33166  
Tel. (305) 764-3963 Fax. (305) 470-8285

revisions:	no	date	by	description
date:	03-20-18	scale:	1/2"=1'-0"	
dr. by:	TARIQ	chk. by:		
drawing no.	18-36F			
sheet	2 of 10			

DESIGN LOAD CAPACITY - PSF STAND ALONE SINGLE SIDELITES									
SIDELITE FRAME WIDTH INCHES	SIDELITE FRAME HEIGHT INCHES	GLASS TYPES 'A' & 'Ai'		GLASS TYPE 'B'		GLASS TYPE 'C'		GLUED CLADDED PANEL	
		EXT.(+)	INT.(-)	EXT.(+)	INT.(-)	EXT.(+)	INT.(-)	EXT.(+)	INT.(-)
24	84	80.0	80.0	80.0	80.0	60.0	60.0	80.0	80.0
30		80.0	80.0	80.0	80.0	60.0	60.0	80.0	80.0
36		80.0	80.0	80.0	80.0	60.0	60.0	80.0	80.0
39-1/16		80.0	80.0	80.0	80.0	60.0	60.0	80.0	80.0
42		74.3	74.3	74.3	74.3	55.8	55.8	80.0	80.0
24	90	80.0	80.0	80.0	80.0	60.0	60.0	80.0	80.0
30		80.0	80.0	80.0	80.0	60.0	60.0	80.0	80.0
36		80.0	80.0	80.0	80.0	60.0	60.0	80.0	80.0
39-1/16		80.0	80.0	80.0	80.0	60.0	60.0	80.0	80.0
42		74.3	74.3	74.3	74.3	55.8	55.8	80.0	80.0
24	96	80.0	80.0	80.0	80.0	60.0	60.0	80.0	80.0
30		80.0	80.0	80.0	80.0	60.0	60.0	80.0	80.0
36		80.0	80.0	80.0	80.0	60.0	60.0	80.0	80.0
39-1/16		80.0	80.0	80.0	80.0	60.0	60.0	80.0	80.0
42		-	-	-	-	55.8	55.8	80.0	80.0
24	98	80.0	80.0	80.0	80.0	60.0	60.0	80.0	80.0
30		80.0	80.0	80.0	80.0	60.0	60.0	80.0	80.0
36		80.0	80.0	80.0	80.0	60.0	60.0	80.0	80.0
39-1/16		80.0	80.0	80.0	80.0	60.0	60.0	80.0	80.0
42		-	-	-	-	55.8	55.8	80.0	80.0
24	102	-	-	-	-	60.0	60.0	80.0	80.0
30		-	-	-	-	60.0	60.0	80.0	80.0
36		-	-	-	-	60.0	60.0	80.0	80.0
39-1/16		-	-	-	-	60.0	60.0	80.0	80.0
42		-	-	-	-	55.8	55.8	80.0	80.0
24	108	-	-	-	-	60.0	60.0	80.0	80.0
30		-	-	-	-	60.0	60.0	80.0	80.0
36		-	-	-	-	60.0	60.0	80.0	80.0
39-1/16		-	-	-	-	60.0	60.0	80.0	80.0
42		-	-	-	-	55.8	55.8	80.0	80.0
24	114	-	-	-	-	60.0	60.0	80.0	80.0
30		-	-	-	-	60.0	60.0	80.0	80.0
36		-	-	-	-	60.0	60.0	80.0	80.0
39-1/16		-	-	-	-	60.0	60.0	80.0	80.0
42		-	-	-	-	60.0	60.0	80.0	80.0
24	120	-	-	-	-	60.0	60.0	80.0	80.0
30		-	-	-	-	60.0	60.0	80.0	80.0
36		-	-	-	-	60.0	60.0	80.0	80.0
39-1/16		-	-	-	-	60.0	60.0	80.0	80.0
42		-	-	-	-	60.0	60.0	80.0	80.0



**TYPICAL ELEVATION**

( O )

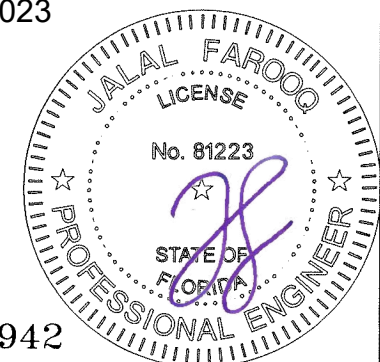
STAND ALONE SIDELITE

GLASS D.L.O. DIMS.

D.L.O. HEIGHT (SIDELITE) = FRAME HEIGHT - 11.50"  
D.L.O. WIDTH (SIDELITE) = FRAME WIDTH - 4.813"

NOTE:  
GLASS CAPACITIES ON THIS SHEET ARE  
BASED ON ASTM E1300-09 (3 SEC. GUSTS)  
AND FLORIDA BUILDING COMMISSION  
DECLARATORY STATEMENT DCA05-DEC-219

Sealed: 7/27/2023



FL #26942

**af c**  
**AL-FAROOQ CORPORATION**  
ENGINEERS & PRODUCT DEVELOPMENT  
9360 SUNSET DRIVE, SUITE 220 (C.A.N. 3538)  
MIAMI, FLORIDA 33173  
TEL. (305) 264-8100 FAX. (305) 262-6978  
COMP-ANL 18-36F-MG

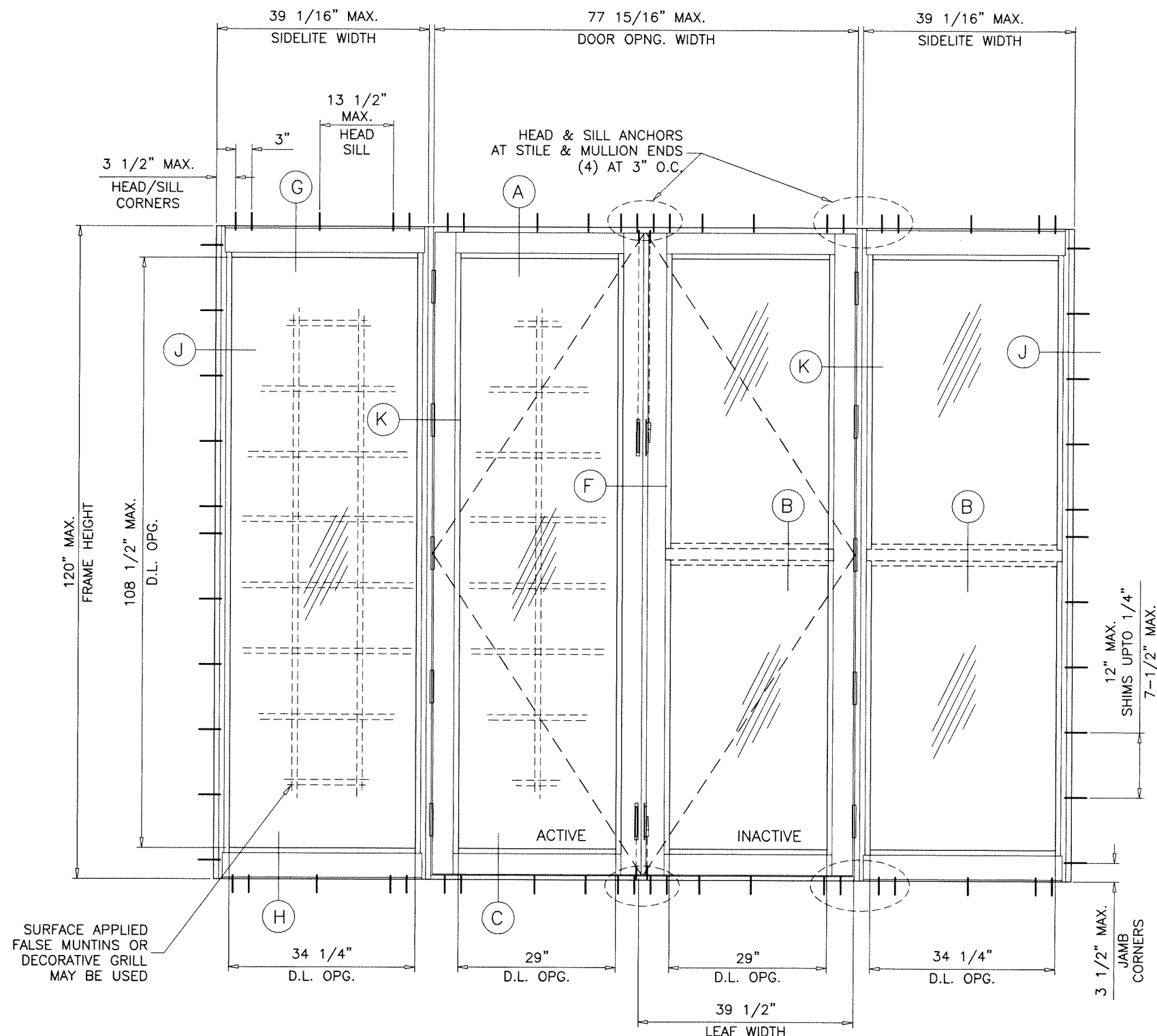
SERIES 3000 ALUMINUM OUTSWING DOOR (L.M.I.)  
**MR-GLASS DOORS & WINDOWS MANUFACTURING, LLC**  
8051 N.W. 79th Place  
Medley, FL. 33166  
Tel. (305) 764-3963 Fax. (305) 470-8285

revisions:	no	date	by	description
date:	03-20-18	scale:	1/2"=1'-0"	
dr. by:	TARIQ	chk. by:		
drawing no.	18-36F			
sheet	3 of 10			

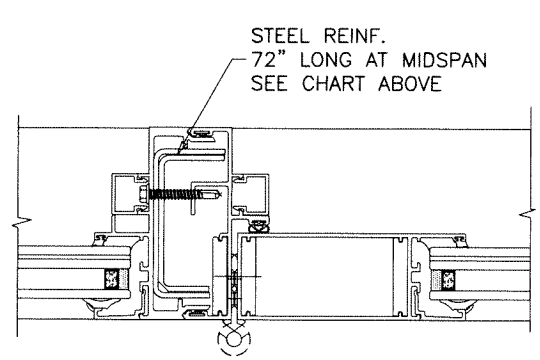
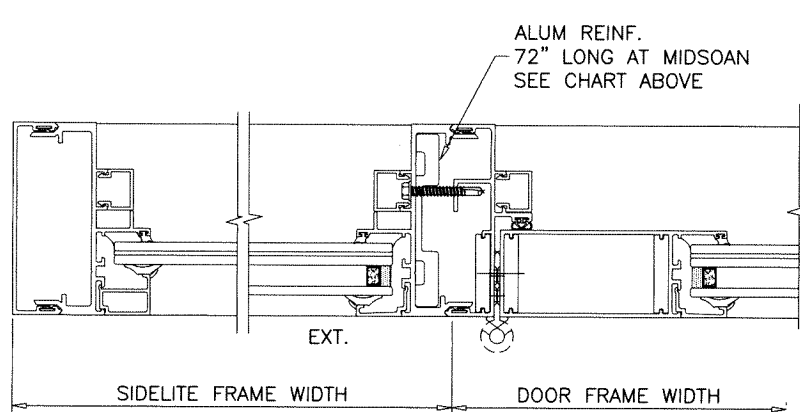


DESIGN LOAD CAPACITY - PSF  
SIDELITES WITH SINGLE OR DOUBLE LEAF DOORS  
(SEE NOTE BELOW)

SIDELITE FRAME WIDTH INCHES	SIDELITE FRAME HEIGHT INCHES	DOOR MULLION WITHOUT REINF.		DOOR MULLION ALUM REINF.		DOOR MULLION STEEL REINF.	
		EXT.(+)	INT.(-)	EXT.(+)	INT.(-)	EXT.(+)	INT.(-)
24	84	80.0	80.0	80.0	80.0	80.0	80.0
30		80.0	80.0	80.0	80.0	80.0	80.0
36		80.0	80.0	80.0	80.0	80.0	80.0
39-1/16		80.0	80.0	80.0	80.0	80.0	80.0
42		80.0	80.0	80.0	80.0	80.0	80.0
24	90	80.0	80.0	80.0	80.0	80.0	80.0
30		80.0	80.0	80.0	80.0	80.0	80.0
36		80.0	80.0	80.0	80.0	80.0	80.0
39-1/16		80.0	80.0	80.0	80.0	80.0	80.0
42		78.2	78.2	80.0	80.0	80.0	80.0
24	96	80.0	80.0	80.0	80.0	80.0	80.0
30		77.9	77.9	80.0	80.0	80.0	80.0
36		71.7	71.7	80.0	80.0	80.0	80.0
39-1/16		69.0	69.0	80.0	80.0	80.0	80.0
42		-	-	60.0	60.0	60.0	60.0
24	98	80.0	80.0	80.0	80.0	80.0	80.0
30		73.2	73.2	80.0	80.0	80.0	80.0
36		67.4	67.4	80.0	80.0	80.0	80.0
39-1/16		64.8	64.8	80.0	80.0	80.0	80.0
42		-	-	60.0	60.0	60.0	60.0
24	102	-	-	60.0	60.0	60.0	60.0
30		-	-	60.0	60.0	60.0	60.0
36		-	-	60.0	60.0	60.0	60.0
39-1/16		-	-	60.0	60.0	60.0	60.0
42		-	-	60.0	60.0	60.0	60.0
24	108	-	-	60.0	60.0	60.0	60.0
30		-	-	60.0	60.0	60.0	60.0
36		-	-	60.0	60.0	60.0	60.0
39-1/16		-	-	60.0	60.0	60.0	60.0
42		-	-	60.0	60.0	60.0	60.0
24	114	-	-	60.0	60.0	60.0	60.0
30		-	-	60.0	60.0	60.0	60.0
36		-	-	58.0	58.0	60.0	60.0
39-1/16		-	-	55.7	55.7	60.0	60.0
42		-	-	55.7	55.7	60.0	60.0
24	120	-	-	58.9	58.9	60.0	60.0
30		-	-	53.8	53.8	60.0	60.0
36		-	-	49.6	49.6	60.0	60.0
39-1/16		-	-	47.7	47.7	60.0	60.0
42		-	-	47.7	47.7	60.0	60.0



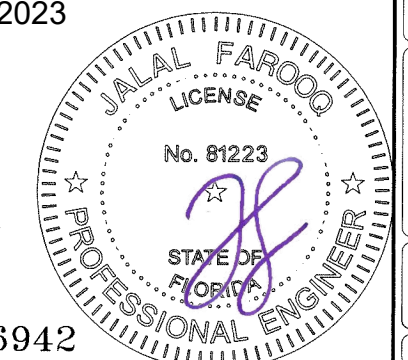
SURFACE APPLIED FALSE MUNTINS OR DECORATIVE GRILL MAY BE USED



TYPICAL ELEVATION  
( O-XX-O )

Sealed: 7/27/2023

NOTE:  
FOR DOORS CAPACITIES SEE SHEET 2.  
FOR SIDELITE CAPACITY SEE SHEET 3.  
FOR SIDELITE MULLION CAPACITIES SEE CHART ABOVE.  
LOWER VALUES FROM DOOR, SIDELITE OR MULLION CHART WILL APPLY TO ENTIRE SYSTEM.

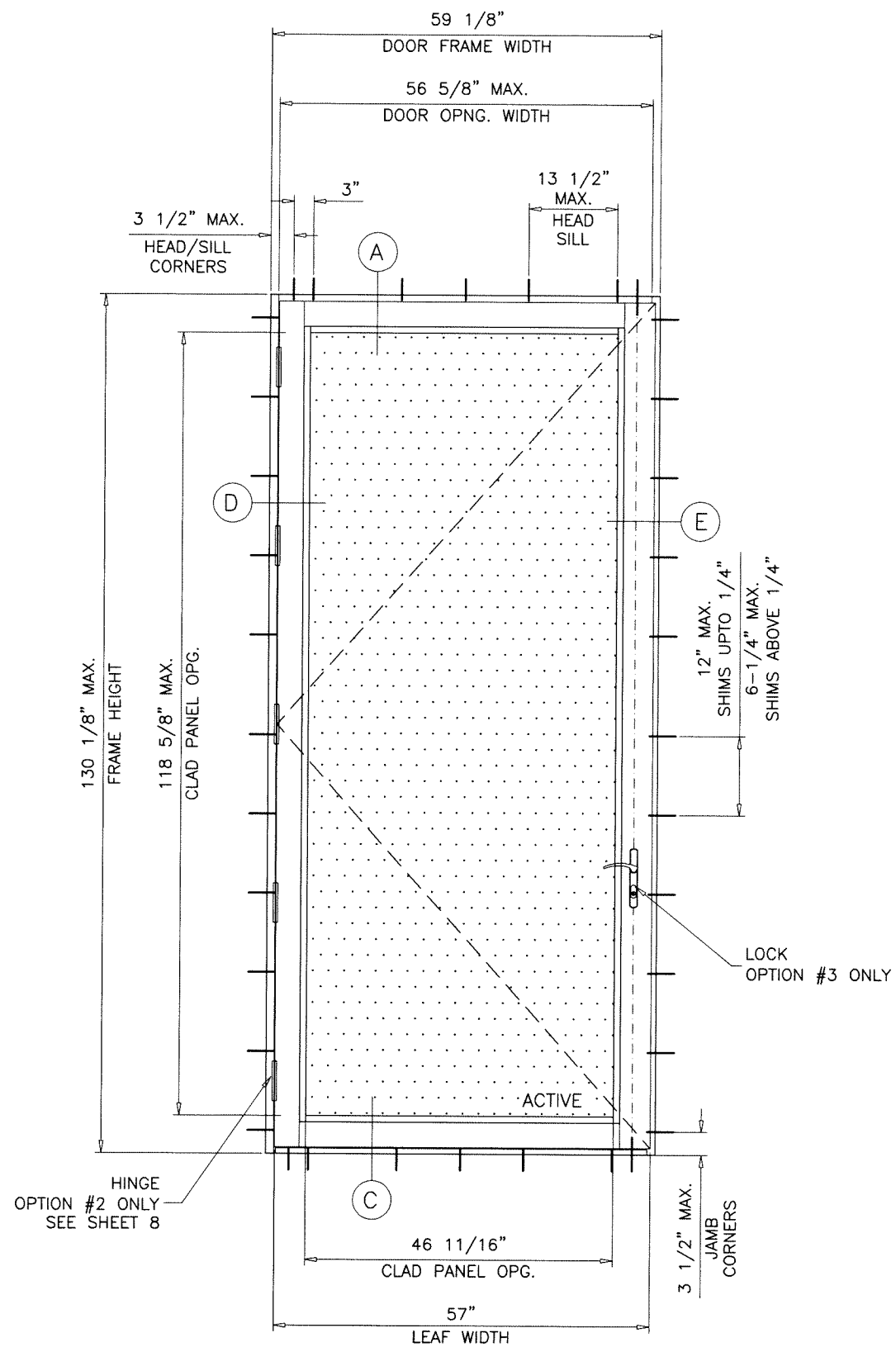


FL #26942

**af c**  
**AL-FAROOQ CORPORATION**  
ENGINEERS & PRODUCT DEVELOPMENT  
9360 SUNSET DRIVE, SUITE 220 (C.A.N. 3538)  
MIAMI, FLORIDA 33173 TEL. (305) 262-6978  
TEL. (305) 264-8100 COMP-ANL 18-36F-MG

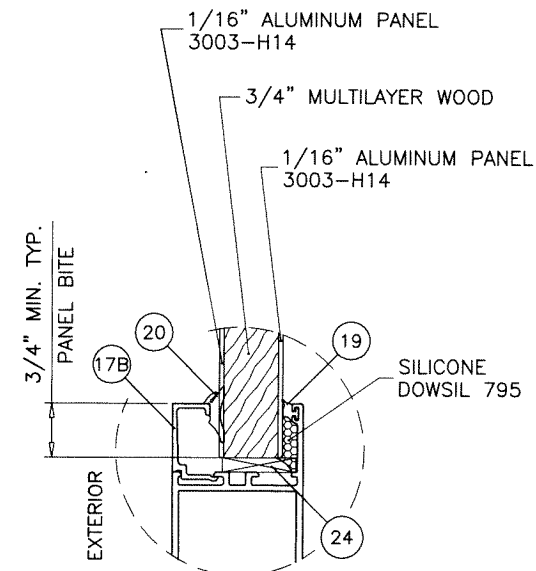
SERIES 3000 ALUMINUM OUTSWING DOOR (L.M.I.)  
**MR-GLASS DOORS & WINDOWS MANUFACTURING, LLC**  
8051 N.W. 79th Place  
Medley, FL. 33166  
Tel. (305) 764-3963 Fax. (305) 470-8285

revisions:	no	date	by	description
date:	03-20-18	scale:	-	
dr. by:	TARIQ	chk. by:		
drawing no.	18-36F			
sheet	4 of 10			



**TYPICAL ELEVATION**  
( X )

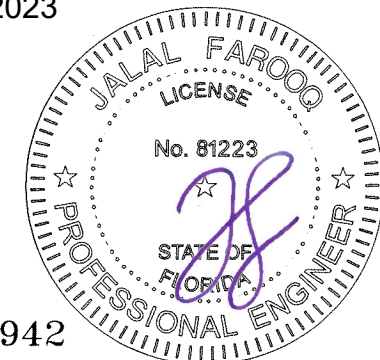
**CLADED PANEL DOOR**  
 MAXIMUM DESIGN LOAD RATING = + 80.0 PSF  
 - 80.0 PSF  
 (FOR SIZE SHOWN ON THIS SHEET ONLY OR SMALLER)



**7/8\"/>**

EXTERIOR AND INTERIOR ALUMINUM CLADDING GLUED TO CENTER CORE WITH MRG-A-30-013

Sealed: 7/27/2023

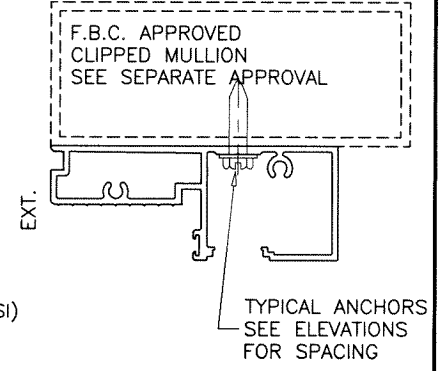
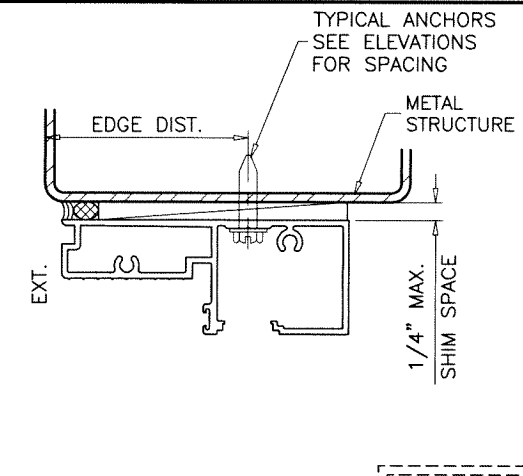
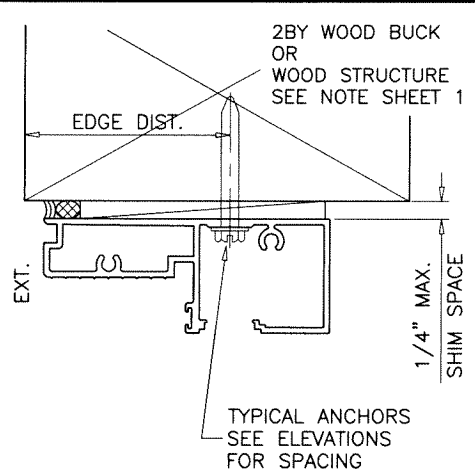
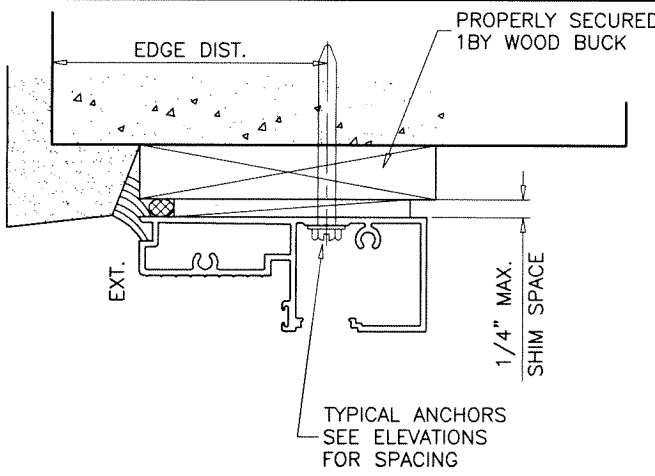
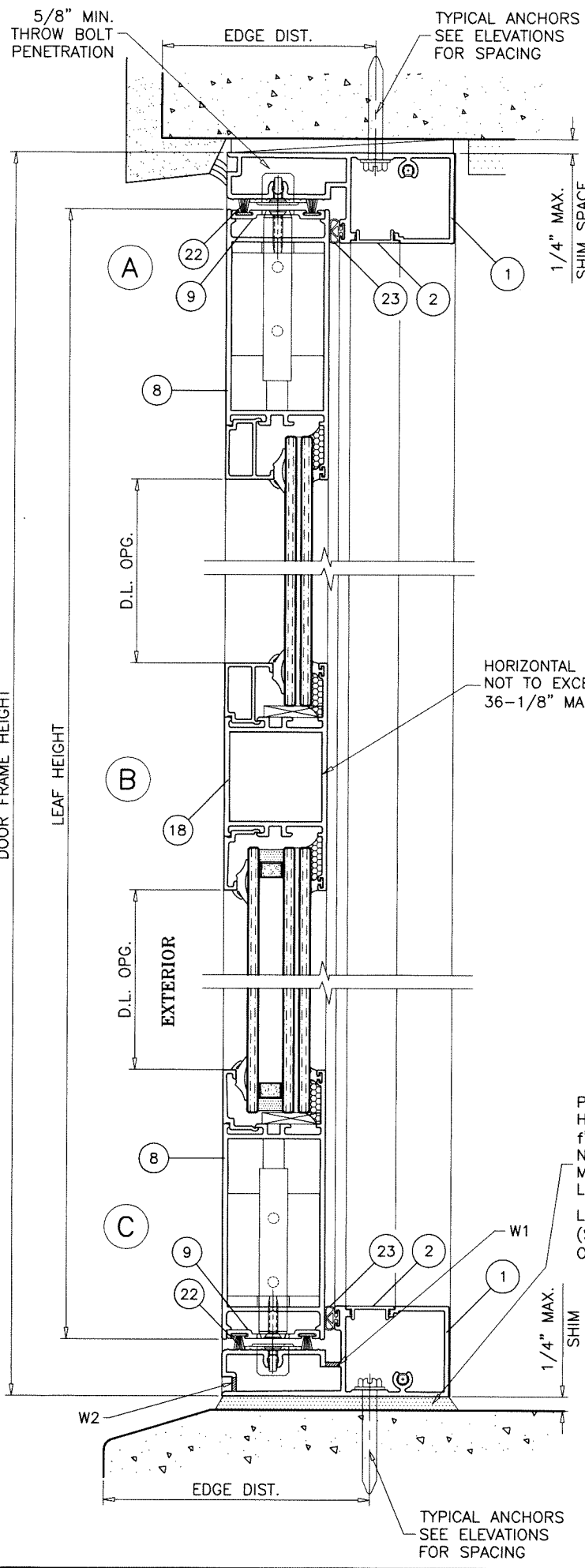


FL #26942

**afc**  
**AL-FAROOQ CORPORATION**  
 ENGINEERS & PRODUCT DEVELOPMENT  
 9360 SUNSET DRIVE, SUITE 220 (C.A.N. 3538)  
 MIAMI, FLORIDA 33173  
 TEL. (305) 264-8100 FAX. (305) 262-6978  
 COMP-ANL \ 18-36F-MG

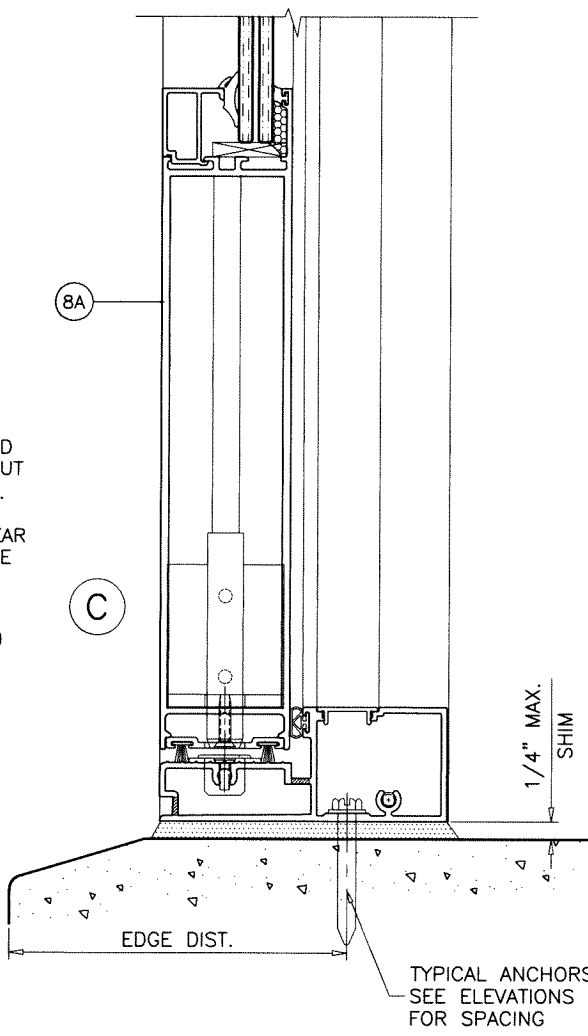
SERIES 3000 ALUMINUM OUTSWING DOOR (L.M.I.)  
**MR-GLASS DOORS & WINDOWS MANUFACTURING, LLC**  
 8051 N.W. 79th Place  
 Medley, FL. 33166  
 Tel. (305) 764-3963 Fax. (305) 470-8285

revisions:	no	date	by	description
date:	03-20-18	scale:	-	
dr. by:	TARIQ	chk. by:		
drawing no.	18-36F			
sheet	4.1 of 10			



1BY OR 2BY WOOD BUCKS AND METAL STRUCTURE NOT BY 'MR-GLASS' MUST SUSTAIN LOADS IMPOSED BY GLAZING SYSTEM AND TRANSFER THEM TO THE BUILDING STRUCTURE.

**TYPICAL ANCHORS:** SEE ELEV. FOR SPACING  
**1/4" DIA. ULTRACON+ BY 'DEWALT'** ( $F_u=164$  KSI,  $F_y=148$  KSI)  
 INTO 2BY WOOD BUCKS OR WOOD STRUCTURES  
 1-1/2" MIN. PENETRATION INTO WOOD (HEAD/JAMBS)  
 THRU 1BY BUCKS INTO CONC. OR BLOCKS  
 1-3/4" MIN. EMBED INTO CONCRETE (HEAD/JAMBS)  
 1-1/4" MIN. EMBED INTO BLOCKS (JAMBS)  
 DIRECTLY INTO CONCRETE OR BLOCKS  
 2" MIN. EMBED INTO CONCRETE (HEAD/SILL/JAMBS)  
 1-3/4" MIN. EMBED INTO GROUT-FILLED BLOCKS (JAMBS)  
**1/4" DIA. TEKS OR SELF-DRILLING SCREWS** (GRADE 5 CRS)  
 INTO F.B.C. APPROVED MULLIONS  
 OR  
 INTO METAL STRUCTURES (HEAD/JAMBS)  
 (3) THREADS MIN. TO EXTEND BEYOND METAL THICKNESS  
 ALUMINUM: 1/8" THK. MIN. (6063-T5 MIN.)  
 STEEL: 1/8" THK. MIN. ( $F_y = 36$  KSI MIN.)  
 (STEEL IN CONTACT WITH ALUMINUM TO BE PLATED OR PAINTED)  
**CRITICAL EDGE DISTANCE**  
 INTO CONCRETE AND BLOCKS = 2-1/2" MIN.  
 INTO WOOD STRUCTURE = 1" MIN.  
 INTO METAL STRUCTURE = 3/4" MIN.  
 WOOD AT HEAD, SILL OR JAMBS SG = 0.55 MIN.  
 CONCRETE AT HEAD, SILL OR JAMBS  $f'_c = 3000$  PSI MIN.  
 C-90 HOLLOW/FILLED BLOCK AT JAMBS  $f'_m = 2000$  PSI MIN.



POURED & HARDENED HIGH STRENGTH GROUT  
 $f'_c = 5000$  PSI MIN.  
 NOT BY MR-GLASS  
 MUST TRANSFER SHEAR LOADS TO STRUCTURE  
 LOAD BEARING  
 (SOLID SHIMS OPTIONAL TO GROUT)

**DOOR DETAILS**

Sealed: 7/27/2023

**WEEPHOLES:**  
 W1 = 1/4" X 2" LONG WEEP SLOTS AT 8" AND 31" FROM EACH END  
 W2 = 1/4" X 2" LONG WEEP SLOTS AT 5" AND 31" FROM EACH END



FL #26942

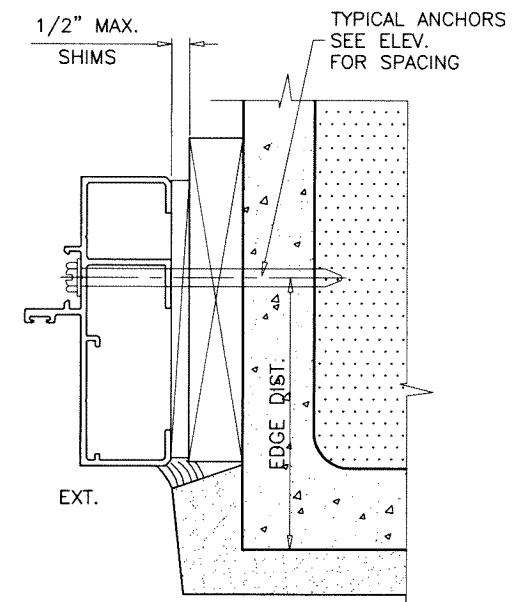
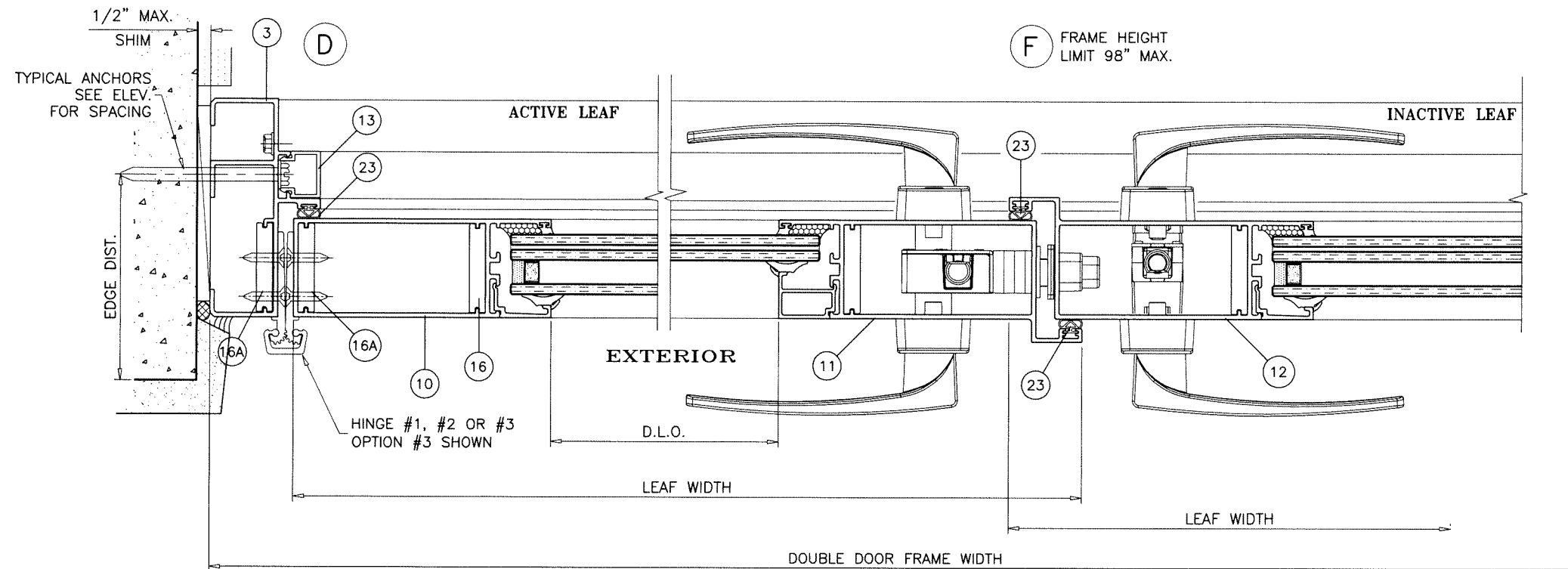
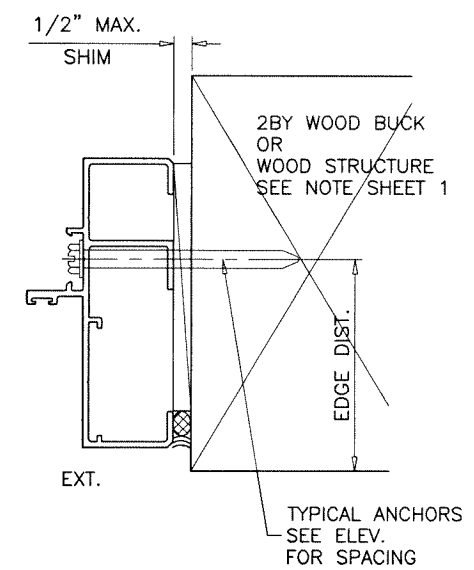
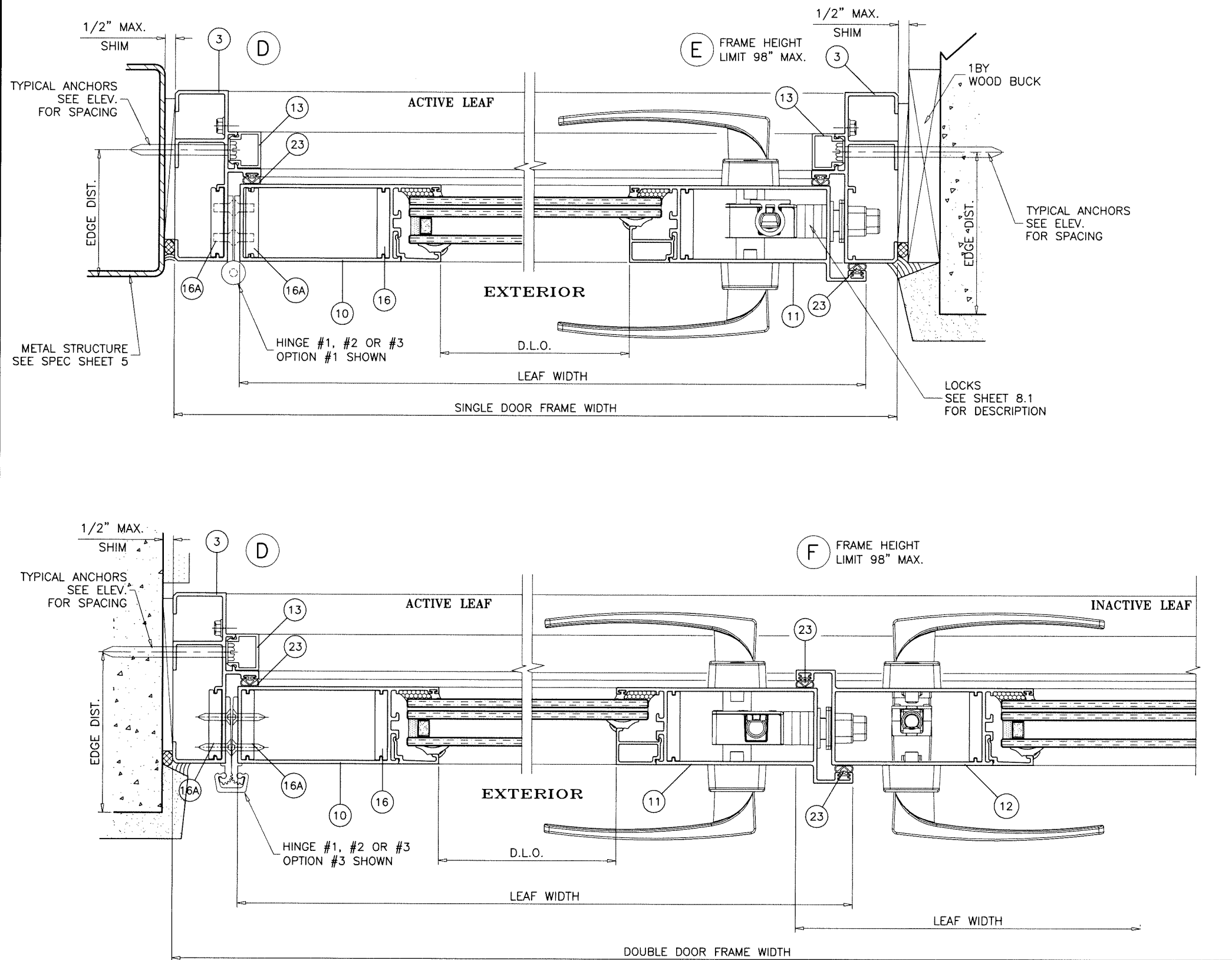
**af c**  
**AL-FAROOQ CORPORATION**  
 ENGINEERS & PRODUCT DEVELOPMENT  
 9360 SUNSET DRIVE, SUITE 220  
 MIAMI, FLORIDA 33173 (C.A.N. 3538)  
 TEL. (305) 262-6978 FAX. (305) 262-6978  
 COMP-ANL 18-36F-MG

SERIES 3000 ALUMINUM OUTSWING DOOR (L.M.I.)  
**MR-GLASS DOORS & WINDOWS MANUFACTURING, LLC**  
 8051 N.W. 79th Place  
 Medley, FL. 33166  
 Tel. (305) 764-3963 Fax. (305) 470-8285

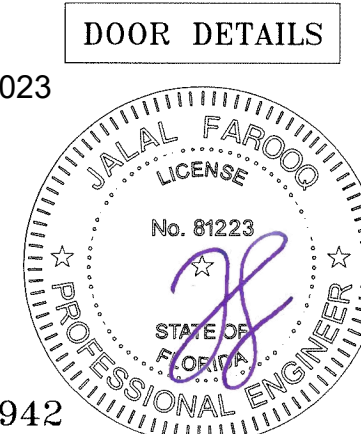
revisions:	no	date	by	description

date: 03-20-18  
 scale: 3/8" = 1"  
 dr. by: TARIQ  
 chk. by:

drawing no.  
**18-36F**  
 sheet 5 of 10



Sealed: 7/27/2023



FL #26942

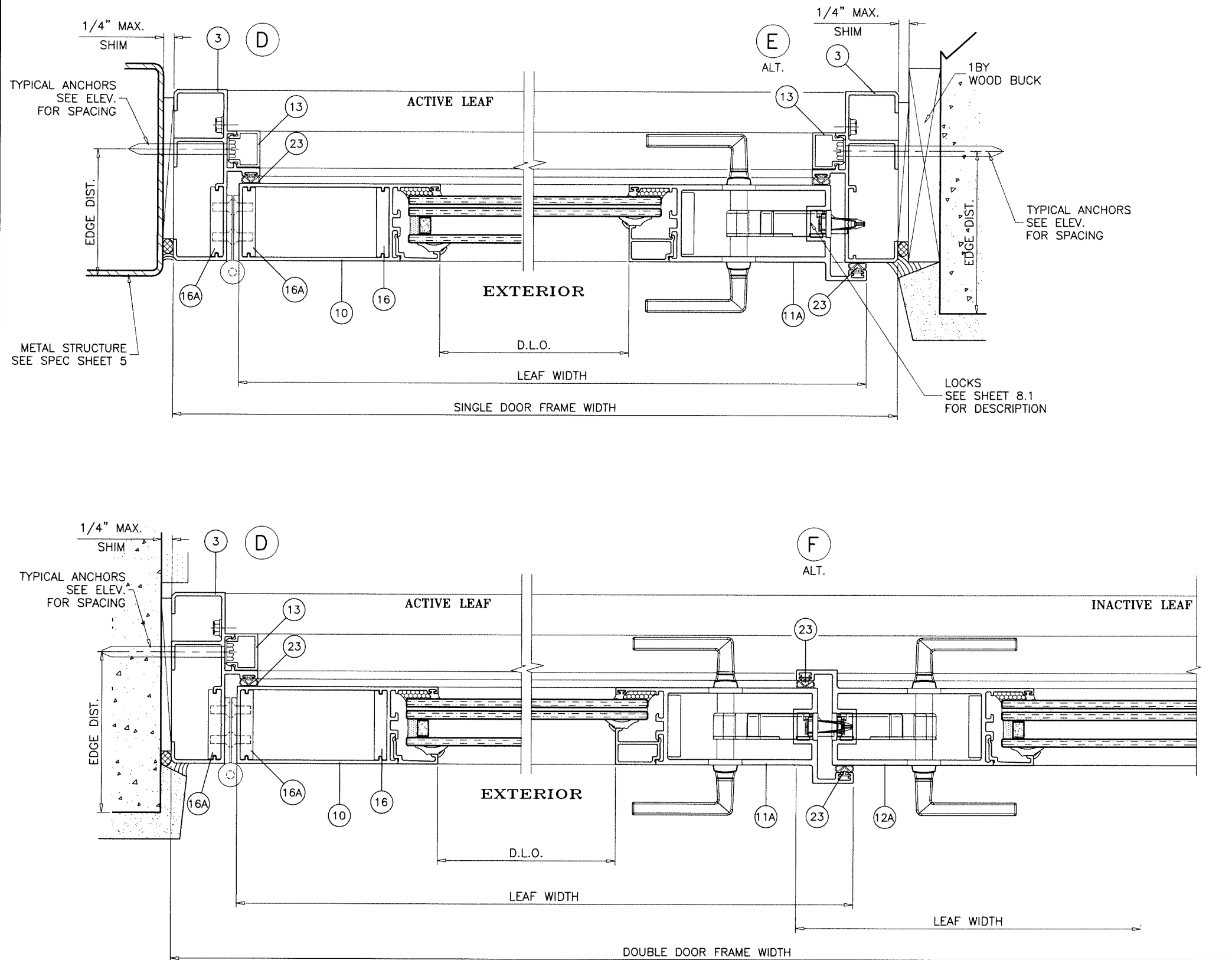
**af c**  
**AL-FAROOQ CORPORATION**  
 ENGINEERS & PRODUCT DEVELOPMENT  
 9360 SUNSET DRIVE, SUITE 220 (C.A.N. 3538)  
 MIAMI, FLORIDA 33173  
 TEL. (305) 264-8100 FAX. (305) 262-6978  
 COMP-ANL 18-36F-MG

SERIES 3000 ALUMINUM OUTSWING DOOR (L.M.I.)  
**MR-GLASS DOORS & WINDOWS MANUFACTURING, LLC**  
 8051 N.W. 79th Place  
 Medley, FL. 33166  
 Tel. (305) 764-3963 Fax. (305) 470-8285

revisions:	
no	by description

date: 03-20-18  
 scale: 3/8" = 1"  
 dr. by: TARIQ  
 chk. by:  

drawing no.  
**18-36F**  
 sheet 6 of 10



**AL-FAROOQ CORPORATION**  
 ENGINEERS & PRODUCT DEVELOPMENT  
 9360 SUNSET DRIVE, SUITE 220 (C.A.N. 3538)  
 MIAMI, FLORIDA 33173  
 TEL. (305) 264-8100 FAX. (305) 262-6978  
 COMP-ANL \ 18-36F-MG

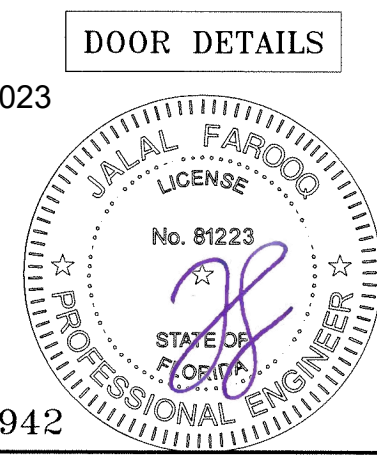
SERIES 3000 ALUMINUM OUTSWING DOOR (L.M.I.)  
**MR-GLASS DOORS & WINDOWS MANUFACTURING, LLC**  
 8051 N.W. 79th Place  
 Medley, FL. 33166  
 Tel. (305) 764-3963 Fax. (305) 470-8285

revisions:	
no	date by description

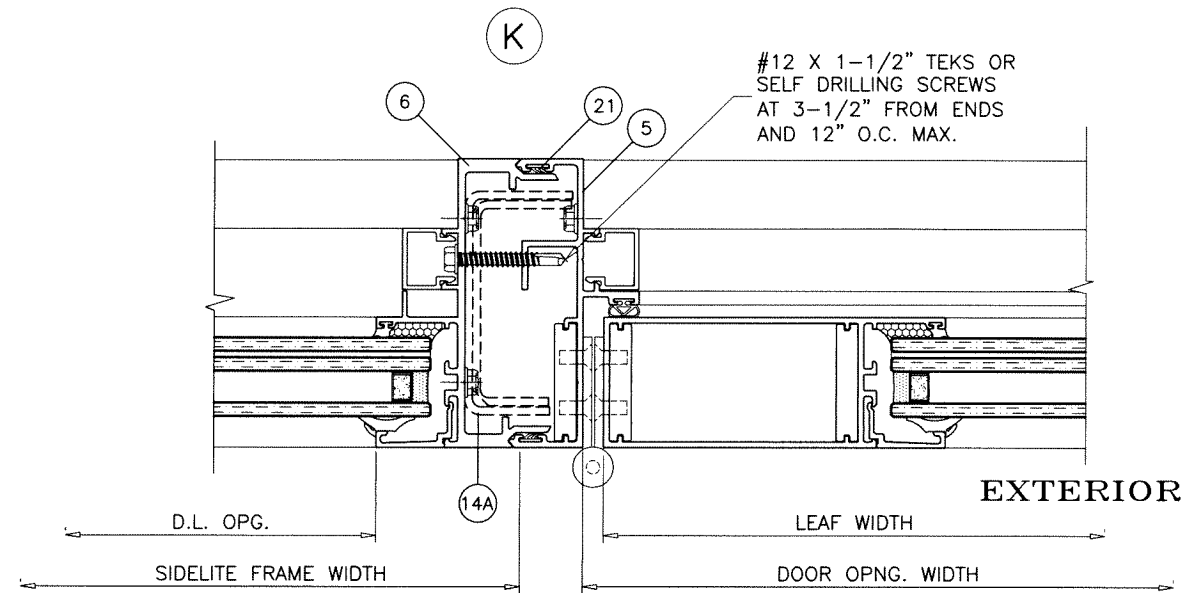
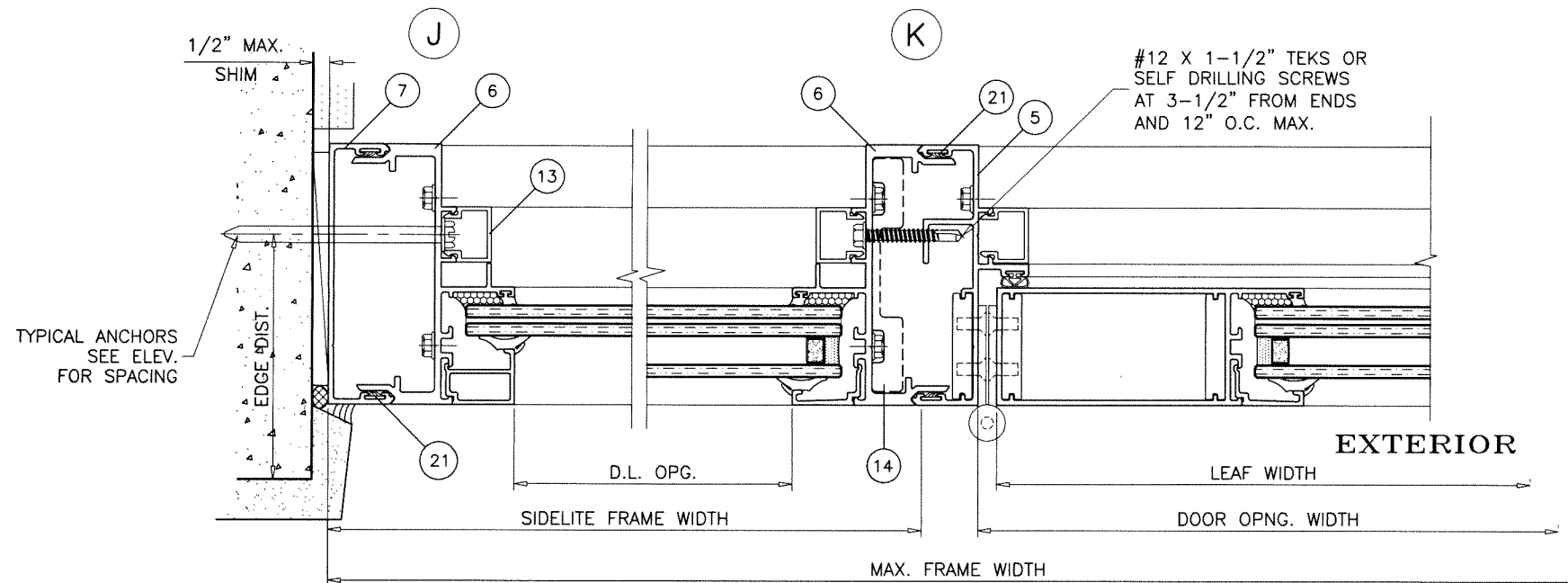
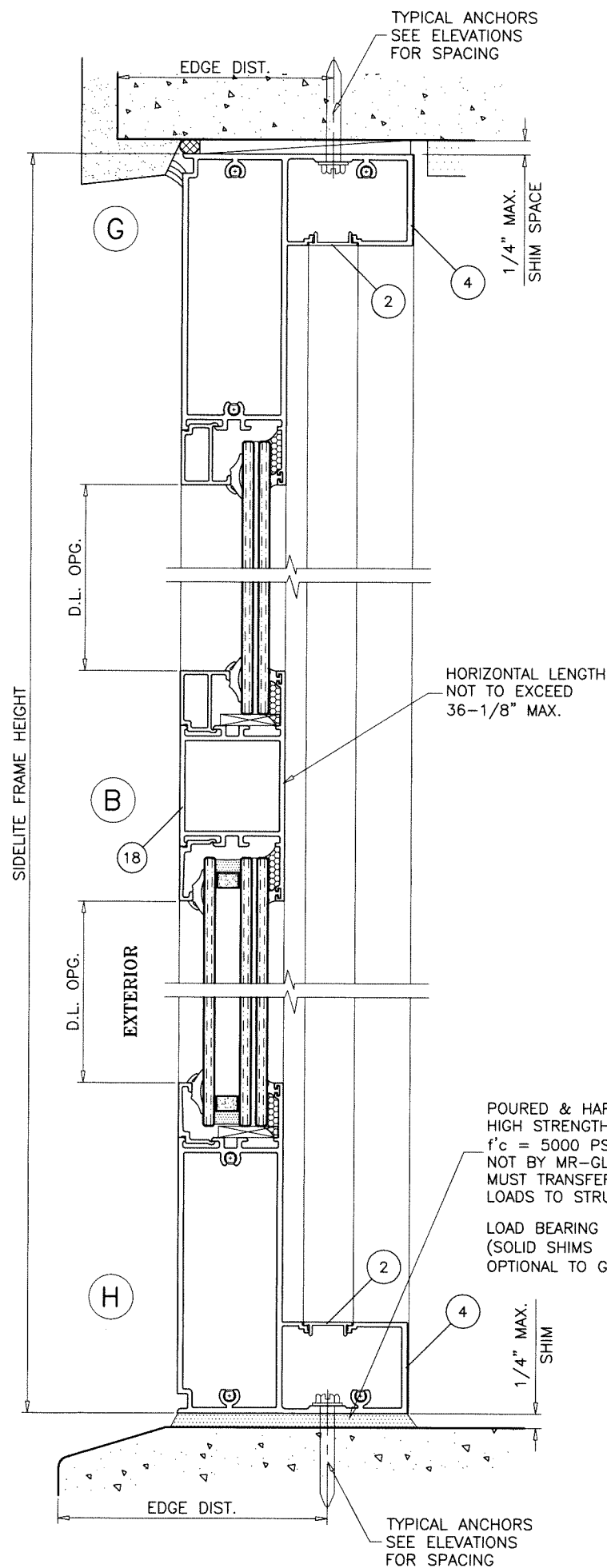
date: 03-20-18  
 scale: 3/8" = 1"  
 dr. by: TARIQ  
 chk. by:

drawing no.  
**18-36F**  
 sheet 6.1 of 10

Sealed: 7/27/2023

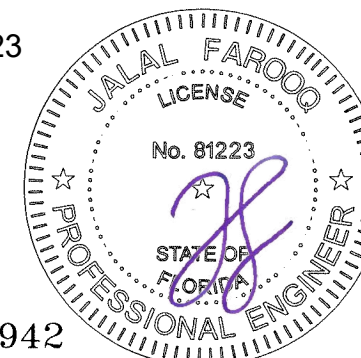


FL #26942



**SIDELITE DETAILS**

Sealed: 7/27/2023



FL #26942

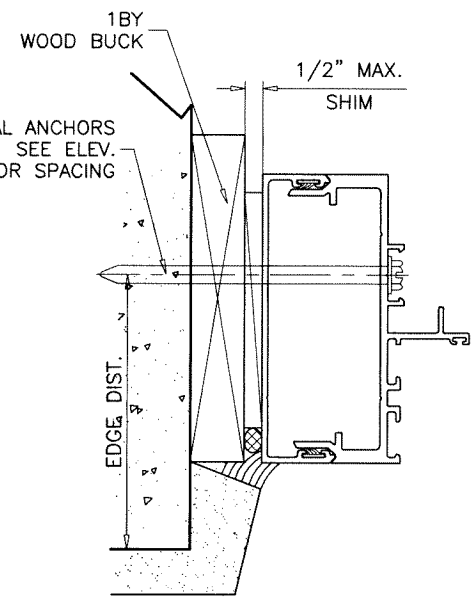
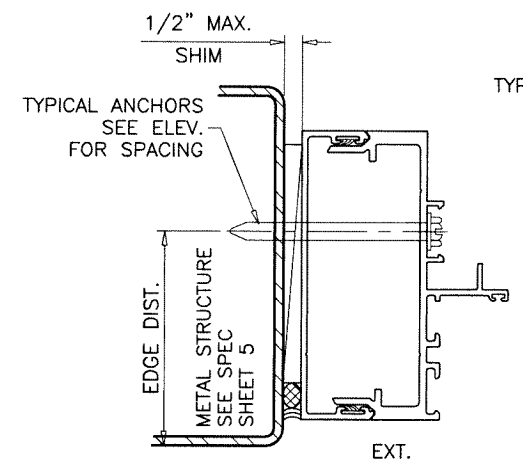
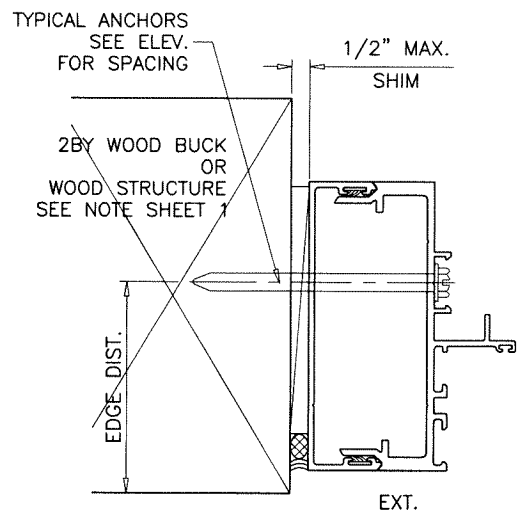
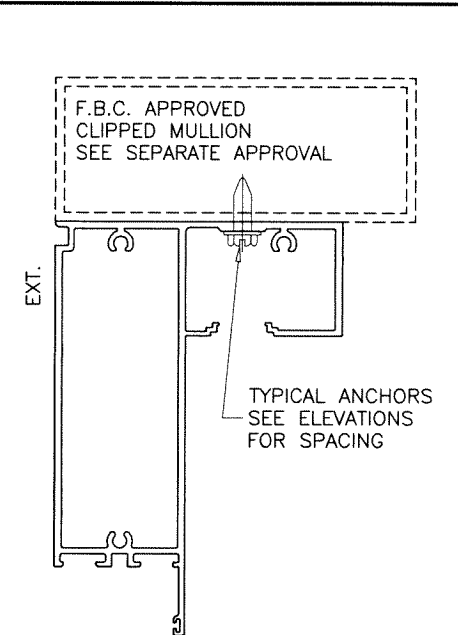
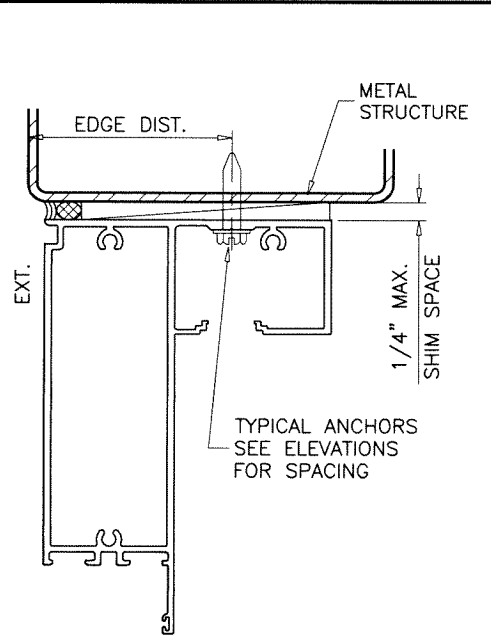
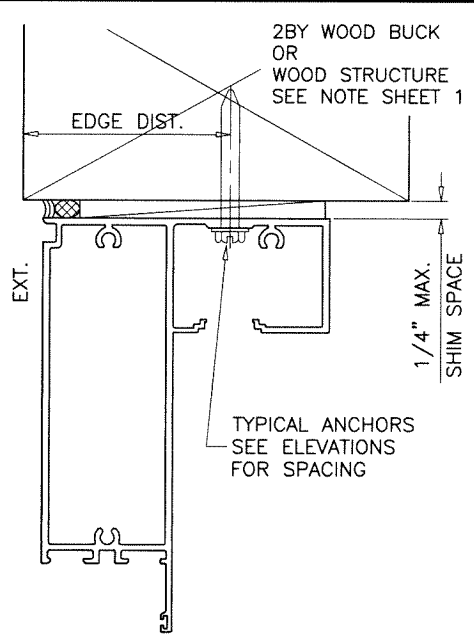
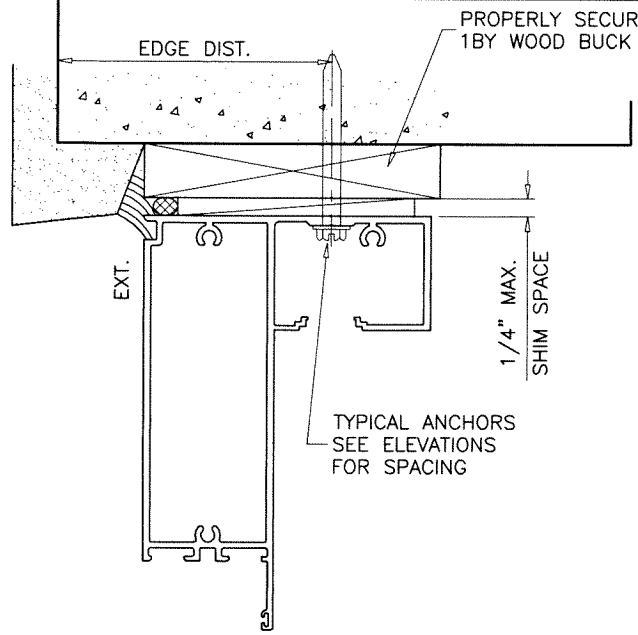
**af c**  
**AL-FAROOQ CORPORATION**  
 ENGINEERS & PRODUCT DEVELOPMENT  
 9360 SUNSET DRIVE, SUITE 220 (C.A.N. 3538)  
 MIAMI, FLORIDA 33173 TEL. (305) 264-8100 FAX. (305) 262-6978  
 COMP-ANL 18-36F-MG

SERIES 3000 ALUMINUM OUTSWING DOOR (L.M.I.)  
**MR-GLASS DOORS & WINDOWS MANUFACTURING, LLC**  
 8051 N.W. 79th Place  
 Medley, FL. 33166  
 Tel. (305) 764-3963 Fax. (305) 470-8285

revisions:	
no	date by description

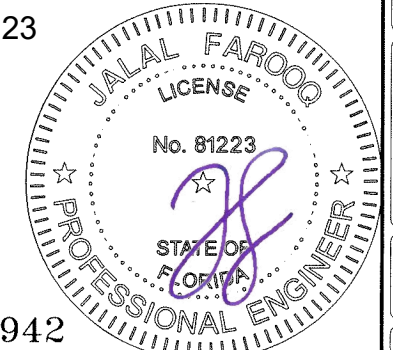
  

date: 03-20-18	scale: 3/8" = 1"	dr. by: TARIQ	chk. by:
drawing no. 18-36F			
sheet 7 of 10			



SIDELITE DETAILS

Sealed:7/27/2023



FL #26942

**af c**  
**AL-FAROOQ CORPORATION**  
 ENGINEERS & PRODUCT DEVELOPMENT  
 9360 SUNSET DRIVE, SUITE 220  
 MIAMI, FLORIDA 33173 (C.A.N. 3538)  
 TEL. (305) 264-8100 FAX. (305) 262-6978  
 COMP-ANL \ 18-36F-MG

SERIES 3000 ALUMINUM OUTSWING DOOR (L.M.I.)  
**MR-GLASS DOORS & WINDOWS MANUFACTURING, LLC**  
 8051 N.W. 79th Place  
 Medley, FL. 33166  
 Tel. (305) 764-3963 Fax. (305) 470-8285

no	date	description

revisions:

date: 03-20-18  
 scale: 3/8" = 1"  
 dr. by: TARIQ  
 chk. by:

drawing no.  
**18-36F**  
 sheet 7.1 of 10

ITEM #	PART #	REQD.	DESCRIPTION	MATERIAL	MANF./SUPPLIER/REMARKS
1	E3008	AS REQD.	DOOR FRAME HEAD/SILL	6063-T6	-
2	E1018	AS REQD.	FRAME COVER	6063-T6	-
3	E3006	AS REQD.	DOOR FRAME JAMB	6063-T6	-
4	E3011	AS REQD.	SIDELITE TOP & BOTTOM FRAME	6063-T6	-
5	E3007	AS REQD.	SIDELITE JAMB FEMALE	6063-T6	-
6	E3009	AS REQD.	SIDELITE JAMB MALE	6063-T6	-
7	E3010	AS REQD.	SIDELITE SLIP ON JAMB	6063-T6	-
8	E3001	AS REQD.	LEAF TOP & BOTTOM RAIL	6063-T6	-
8A	E3020	AS REQD.	HIGH BOTTOM RAIL	6063-T6	-
9	E3005	AS REQD.	LEAF W'STRIP ADAPTER	6063-T6	-
10	E3002	AS REQD.	HINGE STILE	6063-T6	-
11	E3003	AS REQD.	LOCK STILE	6063-T6	FOR LOCK OPTIONS #1 & #2
11A	E3024	AS REQD.	ALT. LOCK STILE	6063-T6	FOR LOCK OPTION #3
12	E3004	AS REQD.	ASTRAGAL STILE	6063-T6	FOR LOCK OPTIONS #1 & #2
12A	E3023	AS REQD.	ALT. ASTRAGAL STILE	6063-T6	FOR LOCK OPTION #3
13	E3014	AS REQD.	SNAP COVER	6063-T5	-
14	E3013	AS REQD.	SIDELITE ALUM REINF, 72" LONG, CENTERED IN SPAN	6063-T6	-
14A	-	AS REQD.	SIDELITE STEEL REINF, 72" LONG, CENTERED IN SPAN	STEEL	A36, Fu MIN. = 58 KSI
15	E3015	AS REQD.	SHEAR BLOCK	6063-T6	3" LONG
15A	E3019	AS REQD.	SHEAR BLOCK	6063-T6	3" LONG
16	E3016	AS REQD.	SHEAR BLOCK NUT	6063-T6	3" LONG
16A	E3016	2/ HINGE	HINGE BACK-UP PLATE	6063-T6	8-1/2" LONG @ FRAME, 4-3/4" LONG @ LEAF
17	E9001	AS REQD.	GLAZING BEAD (LAM. GLASS)	6063-T6	-
17A	E9002	AS REQD.	GLAZING BEAD (INSUL. LAM. GLASS)	6063-T6	-
17B	E9003	AS REQD.	GLAZING BEAD (CLADDED PANEL)	6063-T6	-
18	E3012	AS REQD.	INTERMEDIATE HORIZONTAL	6063-T6	-
19	G30-01	AS REQD.	INTERIOR GLAZING SPACER	SANTOPRENE	DUROMETER 70±5 SHORE A
20	G10-04	AS REQD.	EXTERIOR GLAZING GASKET	SANTOPRENE	DUROMETER 70±5 SHORE A
21	G30-02	AS REQD.	DOUBLE FIN AIR SEAL W'STRIPPING	SANTOPRENE	DUROMETER 70±5 SHORE A
22	W71325NK	AS REQD.	PILE W'STRIPPING	WOOL	ULTRAFAB
23	G10-05	AS REQD.	BULB W'STRIPPING	SANTOPRENE	EPDM
24	-	2/ LITE	SETTING BLOCK, 1/8" X 1" X 4" LONG	EPDM	AT 6" FROM EACH END, DUROMETER 80±5
26	#12 X 1-1/2"	AS REQD.	FRAME ASSEMBLY SCREWS	ST. STEEL	HWH SMS
27	3/8 X 1"	AS REQD.	SHEAR BLOCK FASTENERS	ST. STEEL	HEX SOCKET HEAD SCREWS
28	#12 X 1-1/2"	AS REQD.	SHEAR BLOCK FASTENERS	ST. STEEL	HWH SMS

**HINGES:**

**OPTION #1:**

7-1/2" LONG ALUMINUM BUTT HINGES F107 BY 'SULLIVAN & ASSOC.'  
(3) FOR DOORS UPTO 98" HEIGHTS  
(5) FOR DOORS ABOVE 98" HEIGHTS  
TOP AND BOTTOM HINGES AT 8" FROM ENDS  
INTERMEDIATE HINGES EQUALLY SPACED  
FASTENED TO FRAME WITH  
(6) #10 X 3/4" FH SELF DRILLING SCREWS  
FASTENED TO LEAF WITH  
(5) #10 X 3/4" PH SELF DRILLING SCREWS

**OPTION #2:**

4" X 4-1/2" ST. STEEL BALL BEARING HINGES BY 'REGENT/IDH'  
(3) FOR DOORS UPTO 98" HEIGHTS  
(4) FOR DOORS UPTO 120" HEIGHTS  
(5) FOR DOORS ABOVE 120" HEIGHTS  
TOP AND BOTTOM HINGES AT 6-5/8" FROM ENDS  
INTERMEDIATE HINGES EQUALLY SPACED  
FASTENED TO FRAME WITH  
(4) #12 X 1/2" FH SELF DRILLING SCREWS  
FASTENED TO LEAF WITH  
(4) #12 X 1/2" FH SELF DRILLING SCREWS

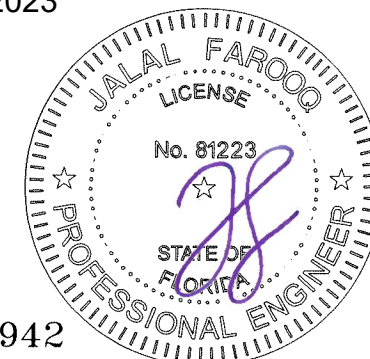
**OPTION #3:**

CONTINUOUS ALUMINUM GEARED HINGE FM-SLF BY 'PEMKO'  
FASTENED TO FRAME AND LEAF WITH  
(22) #12 X 1/2" FH SELF DRILLING SCREWS

**SEALANTS:**

ALL JOINTS AND FRAME CONNECTIONS SEALED WITH  
WHITE/ALUMINUM COLORED SILICONE.

Sealed:7/27/2023



FL #26942

**afc**

**AL-FAROOQ CORPORATION**  
ENGINEERS & PRODUCT DEVELOPMENT  
9360 SUNSET DRIVE, SUITE 220  
MIAMI, FLORIDA 33173 (C.A.N. 3538)  
TEL. (305) 264-8100 FAX. (305) 262-6978

COMP-ANL\18-36F-MG

SERIES 3000 ALUMINUM OUTSWING DOOR (L.M.I.)

**MR-GLASS DOORS & WINDOWS MANUFACTURING, LLC**  
8051 N.W. 79th Place  
Medley, FL 33166  
Tel. (305) 764-3963 Fax. (305) 470-8285

revisions:	no	date	by	description
date:	03-20-18	scale:	3/8" = 1"	
dr. by:	TARIQ	chk. by:		
drawing no.	18-36F			
sheet	8 of 10			



**LOCKS:**

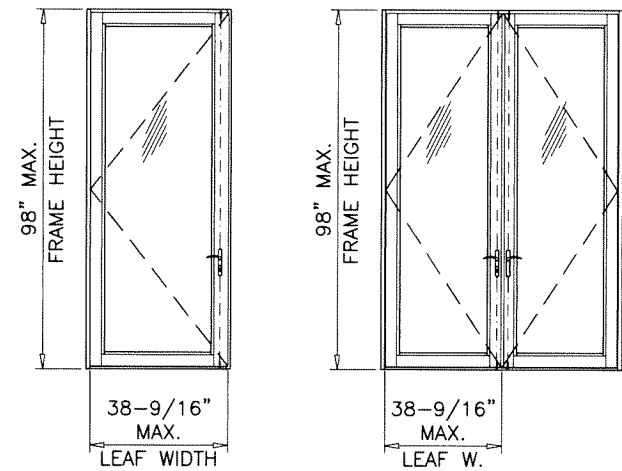
**OPTION #1:**

**ACTIVE LEAF:**

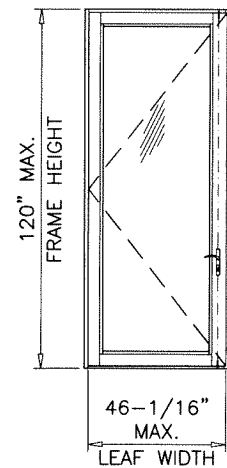
3 POINT LOCK ASSEMBLY DL01-6065 BY 'INTERLOCK USA INC.'  
 (1) LOCKING POINTS ENGAGING AT INACTIVE LEAF AT STRIKE PLATE  
 1/2" DIA. BOLTS WITH 5/8" THROW (1) AT TOP ENGAGING FRAME  
 HEAD AND (1) AT BOTTOM ENGAGING FRAME SILL  
 THROW BOLTS ATTACHED TO LOCK BY 3/8" CONNECTING RODS  
 LOCK HANDLE LOCATED AT 42-1/2" FROM BOTTOM

**INACTIVE LEAF:**

2 POINT LOCK ASSEMBLY BY 'INTERLOCK USA INC.'  
 1/2" DIA. BOLTS WITH 5/8" THROW AT TOP AND BOTTOM ENGAGING  
 FRAME HEAD AND FRAME SILL  
 THROW BOLTS ATTACHED TO LOCK BY 3/8" CONNECTING RODS  
 LOCK LOCATED AT 42-1/2" FROM BOTTOM



MAX. DESIGN LOAD = +80 PSF  
 -80 PSF



MAX. DESIGN LOAD = +65 PSF  
 -70 PSF

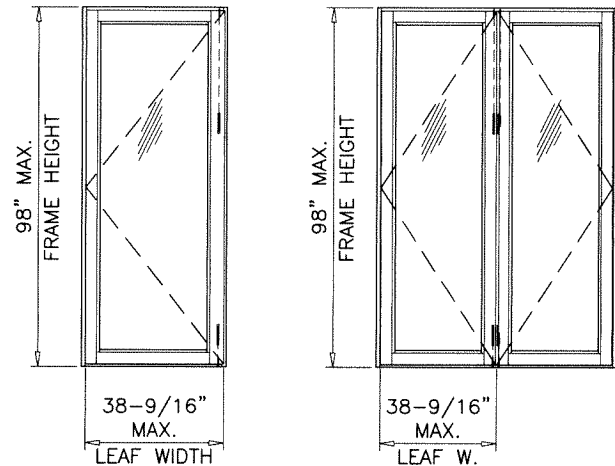
**OPTION #2:**

**ACTIVE LEAF:**

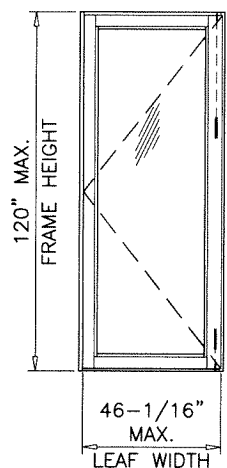
SURFACE BOLTS BY 'SULLIVAN & ASSOC.'  
 MANUALLY OPERATED LEVERS MOUNTED ON STILE FACE,  
 LOCATED AT 12" AND 68" FROM BOTTOM  
 FASTENED TO LOCK STILE WITH  
 #8 X 3/4" FH SMS (2) SCREWS PER BOLT

**INACTIVE LEAF**

CONCEALED FLUSH BOLTS BY 'SULLIVAN & ASSOC.'  
 MANUALLY OPERATED LEVERS MOUNTED ON  
 INSIDE FACE OF LEAF STILE LOCATED AT  
 28" FROM TOP AND 12" FROM BOTTOM  
 FASTENED TO LOCK STILE WITH  
 #8 X 3/4" FH SMS (2) PER BOLT



MAX. DESIGN LOAD = +80 PSF  
 -80 PSF



MAX. DESIGN LOAD = +65 PSF  
 -70 PSF

**DOOR HANDLES:**

SURFACE MOUNT METALLIC HANDLES AT 42-1/2" FROM BOTTOM  
 FASTENED TO ACTIVE AND INACTIVE LEAF LOCK STILES WITH  
 (2) 1/4-20 X 1-13/16" CONE HEAD MS  
 (4) 1/4-20 X 5/16" SET SCREWS

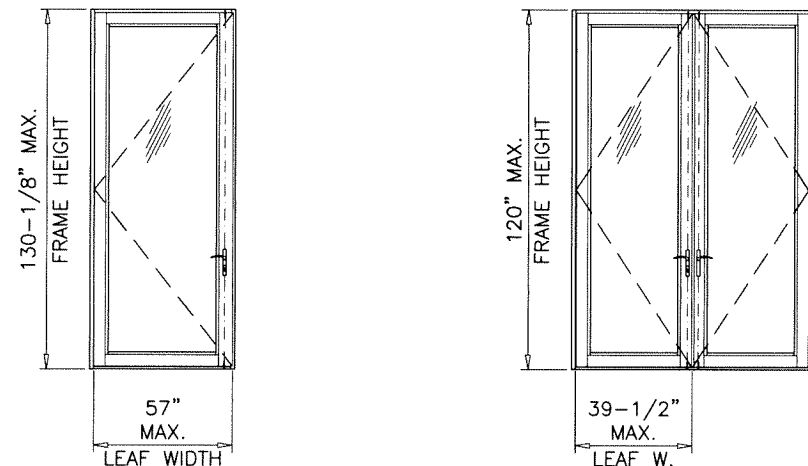
**OPTION #3:**

**ACTIVE LEAF:**

MULTI POINT LOCK ASSEMBLY DL01-6065 BY 'INTERLOCK USA INC.'  
 (3) LOCKING POINTS ENGAGING AT JAMB STRIKE PLATE  
 LOCATED AT 22", 39" AND 54-1/2" FROM BOTTOM  
 1/2" DIA. BOLTS WITH 5/8" THROW  
 (1) AT TOP ENGAGING FRAME HEAD AND  
 (1) AT BOTTOM ENGAGING FRAME SILL  
 THROW BOLTS ATTACHED TO LOCK BY 3/8" CONNECTING RODS  
 LOCK HANDLE LOCATED AT 42-1/2" FROM BOTTOM

**INACTIVE LEAF:**

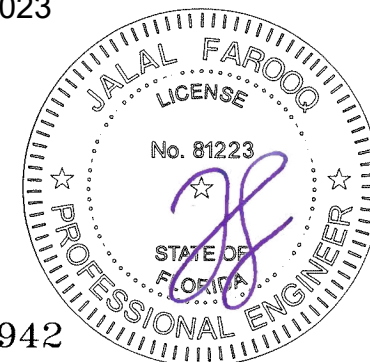
2 POINT LOCK ASSEMBLY BY 'INTERLOCK USA INC.'  
 1/2" DIA. BOLTS WITH 5/8" THROW AT TOP AND BOTTOM ENGAGING  
 FRAME HEAD AND FRAME SILL  
 THROW BOLTS ATTACHED TO LOCK BY 3/8" CONNECTING RODS  
 LOCK LOCATED AT 42-1/2" FROM BOTTOM



MAX. DESIGN LOAD = +80 PSF  
 -80 PSF

MAX. DESIGN LOAD = +60 PSF  
 -60 PSF

Sealed: 7/27/2023



FL #26942

**AL-FAROOQ CORPORATION**  
 ENGINEERS & PRODUCT DEVELOPMENT  
 9360 SUNSET DRIVE, SUITE 220  
 MIAMI, FLORIDA 33173  
 TEL. (305) 264-8100 FAX. (305) 262-6978  
 (C.A.N. 3538)

SERIES 3000 ALUMINUM OUTSWING DOOR (L.M.I.)  
**MR-GLASS DOORS & WINDOWS MANUFACTURING, LLC**  
 8051 N.W. 79th Place  
 Medley, FL. 33166  
 Tel. (305) 764-3963 Fax. (305) 470-8285

no.	date	by	description

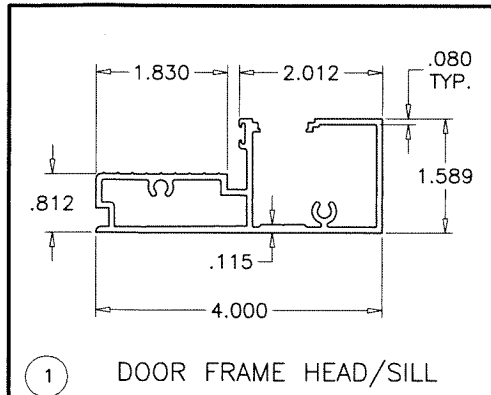
date: 03-20-18  
 scale: 3/8" = 1"  
 dr. by: TARIQ  
 chk. by:  

drawing no.

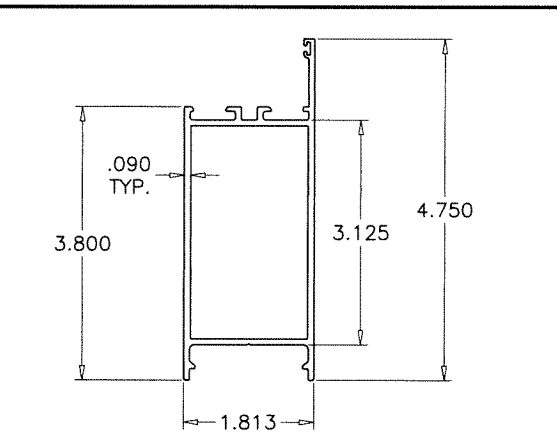
18-36F

sheet 8.1 of 10

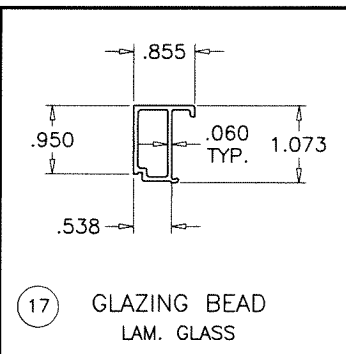
COMP-ANL\18-36F-MG



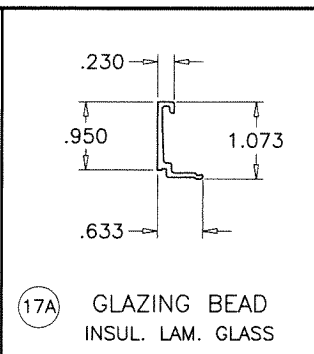
1 DOOR FRAME HEAD/SILL



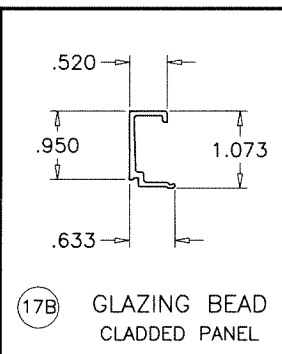
8 LEAF TOP/BOTTOM RAIL



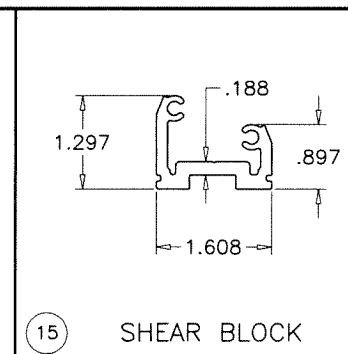
17 GLAZING BEAD LAM. GLASS



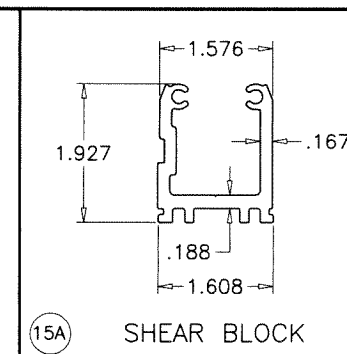
17A GLAZING BEAD INSUL. LAM. GLASS



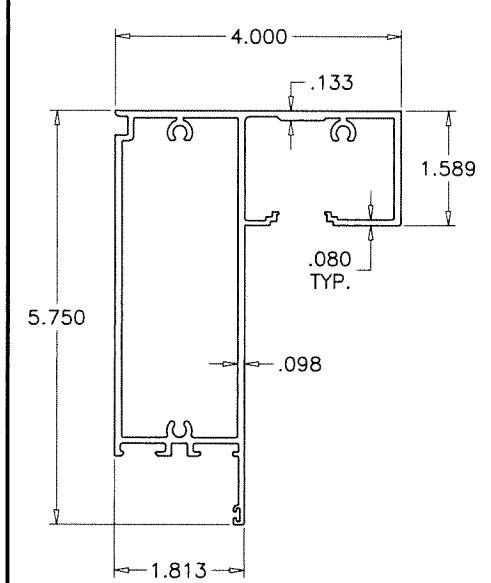
17B GLAZING BEAD CLADDLED PANEL



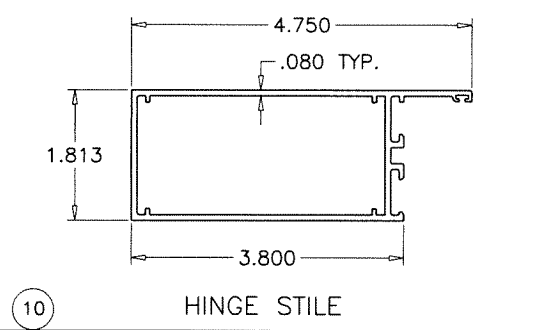
15 SHEAR BLOCK



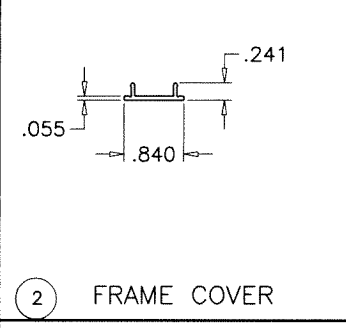
15A SHEAR BLOCK



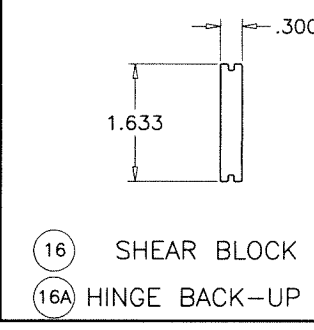
4 SIDELITE TOP & BOTTOM FRAME



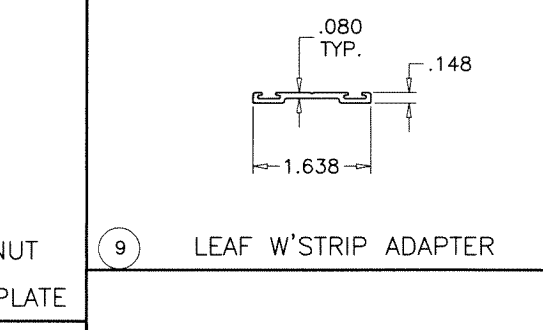
10 HINGE STILE



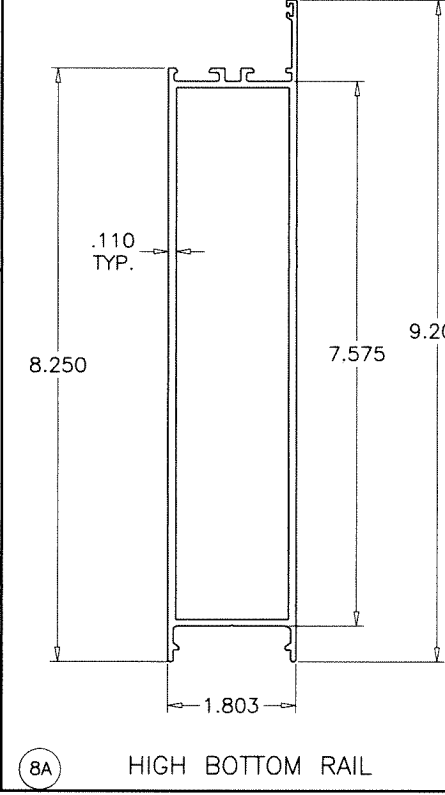
2 FRAME COVER



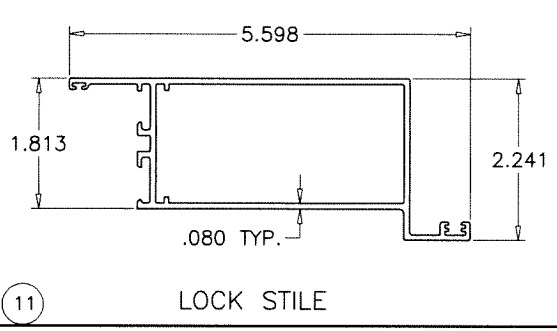
16 SHEAR BLOCK NUT  
16A HINGE BACK-UP PLATE



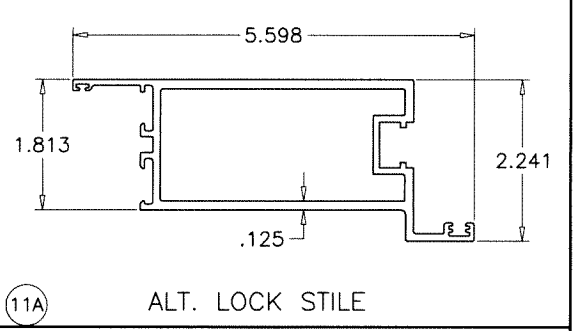
9 LEAF W'STRIP ADAPTER



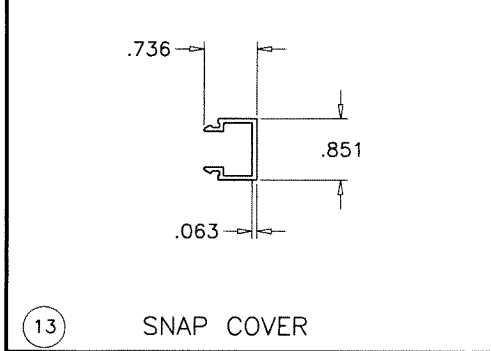
8A HIGH BOTTOM RAIL



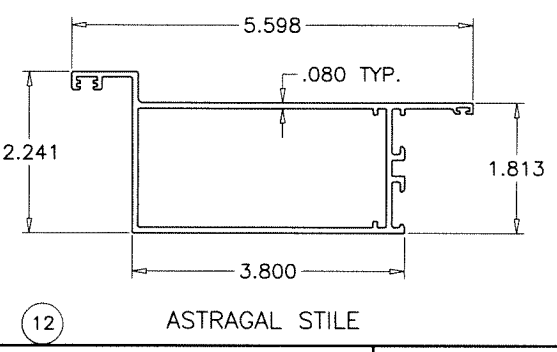
11 LOCK STILE



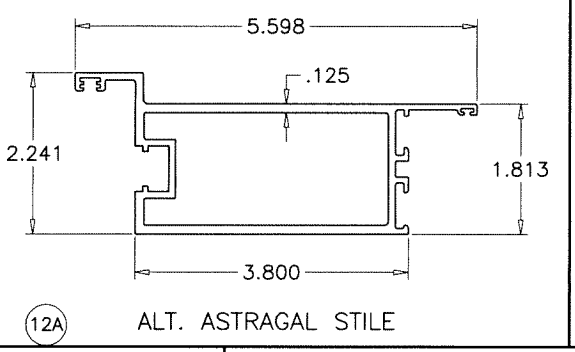
11A ALT. LOCK STILE



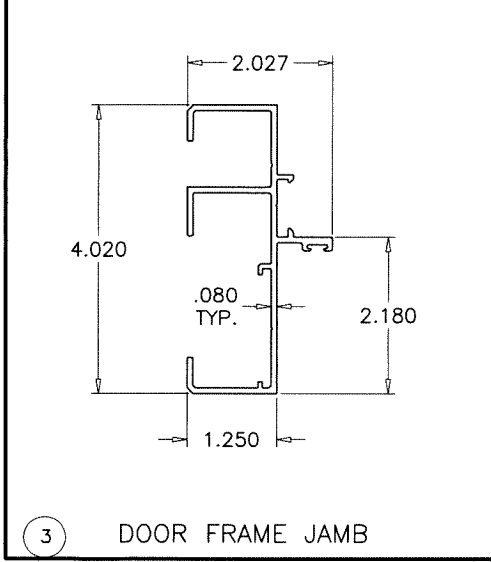
13 SNAP COVER



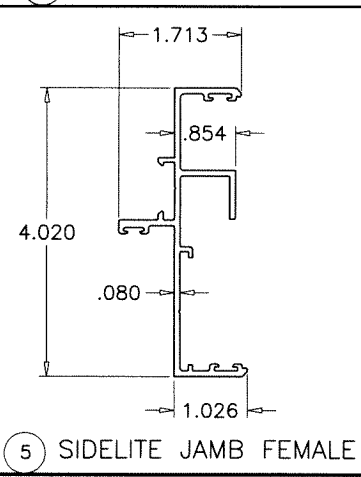
12 ASTRAGAL STILE



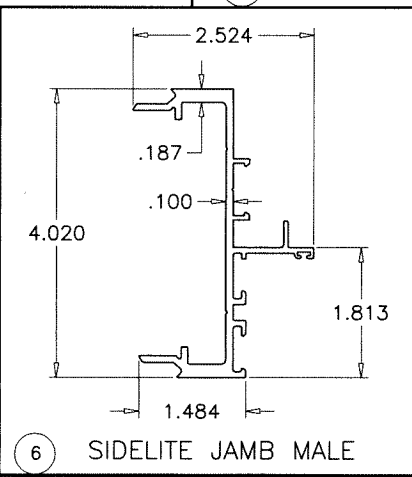
12A ALT. ASTRAGAL STILE



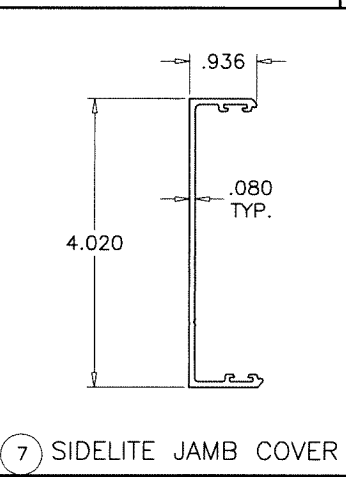
3 DOOR FRAME JAMB



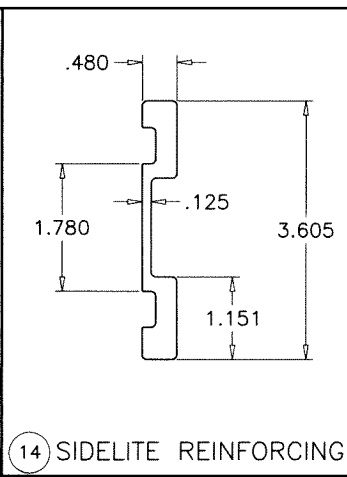
5 SIDELITE JAMB FEMALE



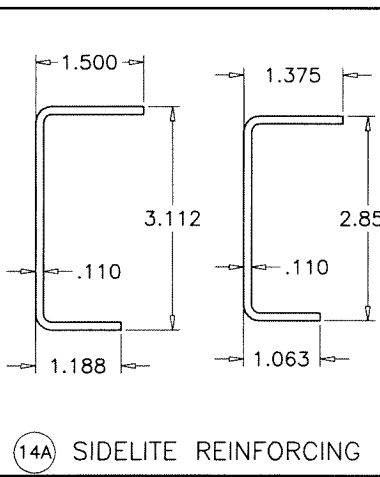
6 SIDELITE JAMB MALE



7 SIDELITE JAMB COVER



14 SIDELITE REINFORCING



14A SIDELITE REINFORCING

Sealed: 7/27/2023  
FL #26942

**af c**  
**AL-FAROOQ CORPORATION**  
ENGINEERS & PRODUCT DEVELOPMENT  
9360 SUNSET DRIVE, SUITE 220  
MIAMI, FLORIDA 33173  
TEL. (305) 264-8100 FAX. (305) 262-6978  
(C.A.N. 3538)

SERIES 3000 ALUMINUM OUTSWING DOOR (L.M.I.)  
**MR-GLASS DOORS & WINDOWS MANUFACTURING, LLC**  
8051 N.W. 79th Place  
Medley, FL. 33166  
Tel. (305) 764-3963 Fax. (305) 470-8285

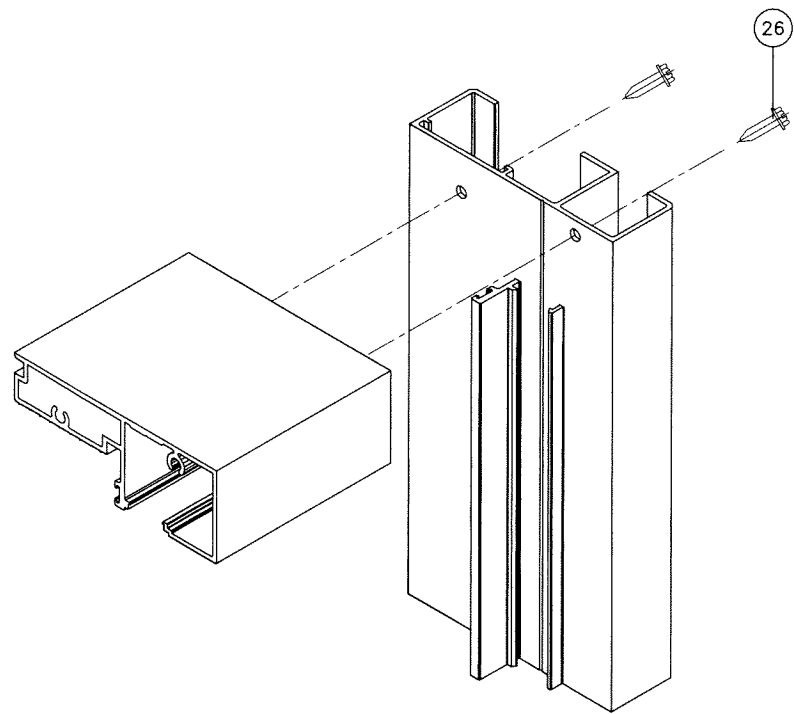
revisions:	no	date	by	description

date: 03-20-18  
scale: 3/8" = 1"  
dr. by: TARIQ  
chk. by:

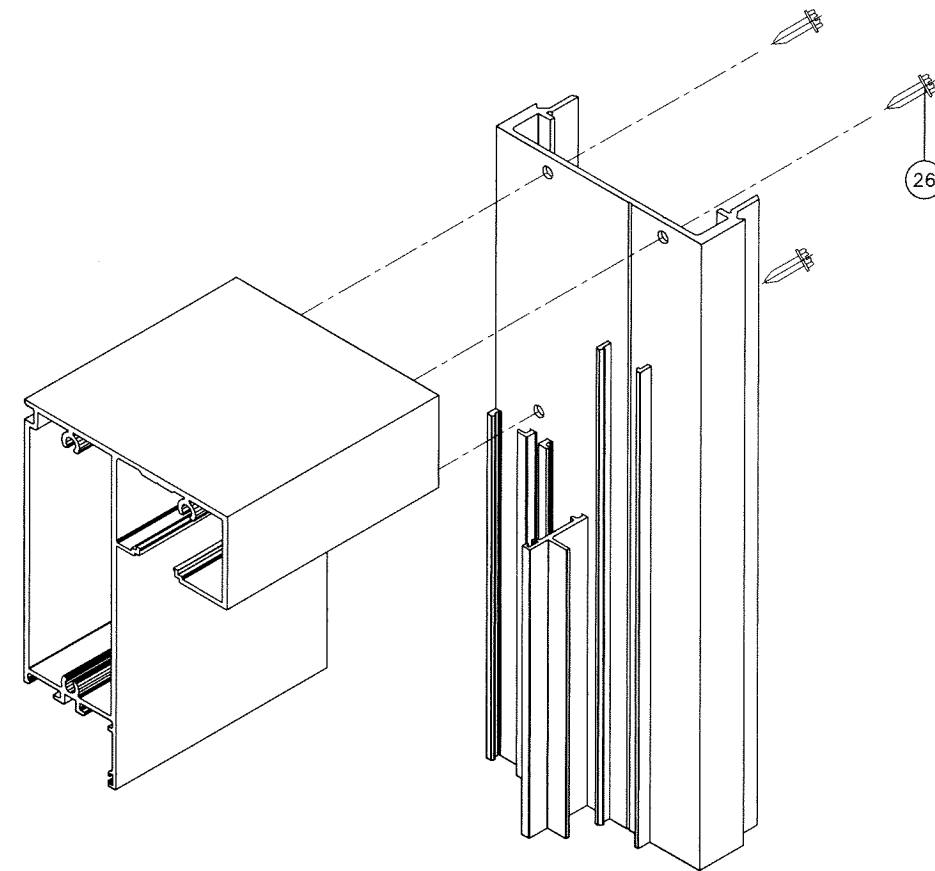
drawing no.  
**18-36F**

sheet 9 of 10

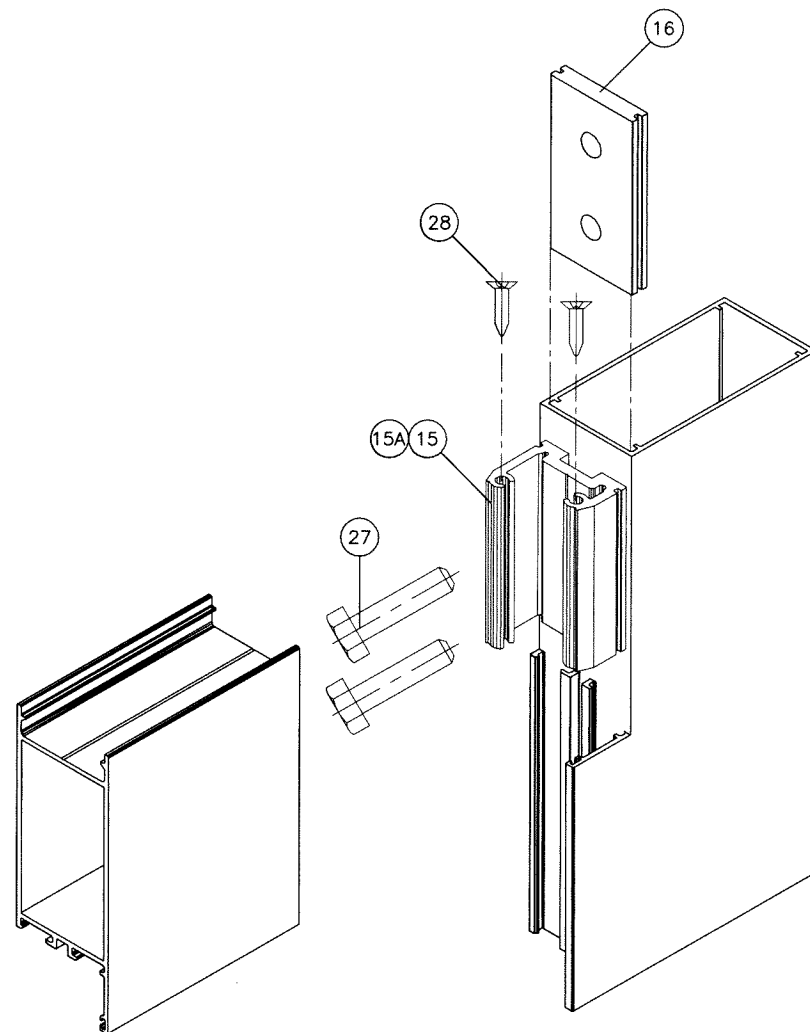
COMP-ANL\18-36F-MG



DOOR FRAME CORNER

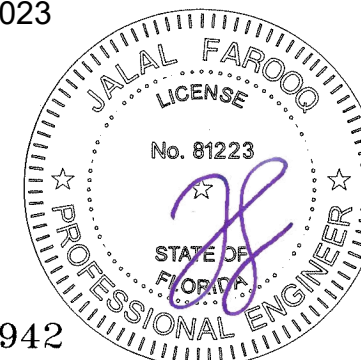


SIDELITE FRAME CORNER



LEAF CORNER

Sealed: 7/27/2023



FL #26942

**afc**

**AL-FAROOQ CORPORATION**  
 ENGINEERS & PRODUCT DEVELOPMENT  
 9360 SUNSET DRIVE, SUITE 220 (C.A.N. 3538)  
 MIAMI, FLORIDA 33173 TEL. (305) 262-6978 FAX. (305) 264-8100  
 COMP-ANL 18-36F-MG

---

SERIES 3000 ALUMINUM OUTSWING DOOR (L.M.I.)  
**MR-GLASS DOORS & WINDOWS MANUFACTURING, LLC**  
 8051 N.W. 79th Place  
 Medley, FL. 33166  
 Tel. (305) 764-3963 Fax. (305) 470-8285

revisions:	no	date	by	description

date: 03-20-18	scale: 3/8" = 1"	dr. by: TARIQ	chk. by:
drawing no.			
<b>18-36F</b>			
sheet 10 of 10			

ITEM #	PART #	REQD.	DESCRIPTION	MATERIAL	MANF./SUPPLIER/REMARKS
1	E3008	AS REQD.	DOOR FRAME HEAD/SILL	6063-T6	-
2	E1018	AS REQD.	FRAME COVER	6063-T6	-
3	E3006	AS REQD.	DOOR FRAME JAMB	6063-T6	-
4	E3011	AS REQD.	SIDELITE TOP & BOTTOM FRAME	6063-T6	-
5	E3007	AS REQD.	SIDELITE JAMB FEMALE	6063-T6	-
6	E3009	AS REQD.	SIDELITE JAMB MALE	6063-T6	-
7	E3010	AS REQD.	SIDELITE SLIP ON JAMB	6063-T6	-
8	E3001	AS REQD.	LEAF TOP & BOTTOM RAIL	6063-T6	-
8A	E3020	AS REQD.	HIGH BOTTOM RAIL	6063-T6	-
9	E3005	AS REQD.	LEAF W'STRIP ADAPTER	6063-T6	-
10	E3002	AS REQD.	HINGE STILE	6063-T6	-
11	E3003	AS REQD.	LOCK STILE	6063-T6	-
11A	E3024	AS REQD.	ALT. LOCK STILE	6063-T6	-
12	E3004	AS REQD.	ASTRAGAL STILE	6063-T6	-
12A	E3023	AS REQD.	ALT. ASTRAGAL STILE	6063-T6	-
13	E3014	AS REQD.	SNAP COVER	6063-T5	-
14	E3013	AS REQD.	SIDELITE ALUM REINF, 72" LONG, CENTERED IN SPAN	6063-T6	-
14A	-	AS REQD.	SIDELITE STEEL REINF, 72" LONG, CENTERED IN SPAN	STEEL	A36, Fu MIN. = 58 KSI
15	E3015	AS REQD.	SHEAR BLOCK	6063-T6	3" LONG
15A	E3019	AS REQD.	SHEAR BLOCK	6063-T6	3" LONG
16	E3016	AS REQD.	SHEAR BLOCK NUT	6063-T6	3" LONG
16A	E3016	2/ HINGE	HINGE BACK-UP PLATE	6063-T6	8-1/2" LONG @ FRAME, 4-3/4" LONG @ LEAF
17	E9001	AS REQD.	GLAZING BEAD (LAM. GLASS)	6063-T6	-
17A	E9002	AS REQD.	GLAZING BEAD (INSUL. LAM. GLASS)	6063-T6	-
17B	E9003	AS REQD.	GLAZING BEAD (CLADDED PANEL)	6063-T6	-
18	E3012	AS REQD.	INTERMEDIATE HORIZONTAL	6063-T6	-
19	G30-01	AS REQD.	INTERIOR GLAZING SPACER	SANTOPRENE	DUROMETER 70±5 SHORE A
20	G10-04	AS REQD.	EXTERIOR GLAZING GASKET	SANTOPRENE	DUROMETER 70±5 SHORE A
21	G30-02	AS REQD.	DOUBLE FIN AIR SEAL W'STRIPPING	SANTOPRENE	DUROMETER 70±5 SHORE A
22	W71325NK	AS REQD.	PILE W'STRIPPING	WOOL	ULTRAFAB
23	G10-05	AS REQD.	BULB W'STRIPPING	SANTOPRENE	EPDM
24	-	2/ LITE	SETTING BLOCK, 1/8" X 1" X 4" LONG	EPDM	AT 6" FROM EACH END, DUROMETER 80±5
26	#12 X 1-1/2"	AS REQD.	FRAME ASSEMBLY SCREWS	ST. STEEL	HWH SMS
27	3/8 X 1"	AS REQD.	SHEAR BLOCK FASTENERS	ST. STEEL	HEX SOCKET HEAD SCREWS
28	#12 X 1-1/2"	AS REQD.	SHEAR BLOCK FASTENERS	ST. STEEL	HWH SMS

**HINGES:**

**OPTION #1:**

7-1/2" LONG ALUMINUM BUTT HINGES F107 BY 'SULLIVAN & ASSOC.'  
 (3) FOR DOORS UPTO 98" HEIGHTS  
 (5) FOR DOORS ABOVE 98" HEIGHTS  
 TOP AND BOTTOM HINGES AT 8" FROM ENDS  
 INTERMEDIATE HINGES EQUALLY SPACED  
 FASTENED TO FRAME WITH  
 (6) #10 X 3/4" FH SELF DRILLING SCREWS  
 FASTENED TO LEAF WITH  
 (5) #10 X 3/4" PH SELF DRILLING SCREWS

**OPTION #2:**

4" X 4-1/2" ST. STEEL BALL BEARING HINGES BY 'REGENT/IDH'  
 (3) FOR DOORS UPTO 98" HEIGHTS  
 (4) FOR DOORS UPTO 120" HEIGHTS  
 (5) FOR DOORS ABOVE 120" HEIGHTS  
 TOP AND BOTTOM HINGES AT 6-5/8" FROM ENDS  
 INTERMEDIATE HINGES EQUALLY SPACED  
 FASTENED TO FRAME WITH  
 (4) #12 X 1/2" FH SELF DRILLING SCREWS  
 FASTENED TO LEAF WITH  
 (4) #12 X 1/2" FH SELF DRILLING SCREWS

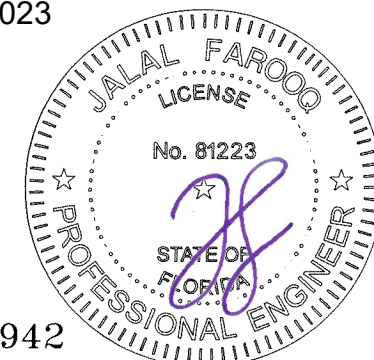
**OPTION #3:**

CONTINUOUS ALUMINUM GEARED HINGE FM-SLF BY 'PEMKO'  
 FASTENED TO FRAME AND LEAF WITH  
 (22) #12 X 1/2" FH SELF DRILLING SCREWS

**SEALANTS:**

ALL JOINTS AND FRAME CONNECTIONS SEALED WITH  
 WHITE/ALUMINUM COLORED SILICONE.

Sealed:7/27/2023



FL #26942

**af c**  
**AL-FAROOQ CORPORATION**  
 ENGINEERS & PRODUCT DEVELOPMENT  
 9360 SUNSET DRIVE, SUITE 220 (C.A.N. 3538)  
 MIAMI, FLORIDA 33173  
 TEL. (305) 264-8100 FAX. (305) 262-6978  
 COMP-ANL 18-36F-MG

SERIES 3000 ALUMINUM OUTSWING DOOR (L.M.I.)  
**MR-GLASS DOORS & WINDOWS MANUFACTURING, LLC**  
 8051 N.W. 79th Place  
 Medley, FL. 33166  
 Tel. (305) 764-3963 Fax. (305) 470-8285

revisions:	no.	date	by	description
date:	03-20-18			
scale:	3/8" = 1"			
dr. by:	TARIQ			
chk. by:				
drawing no.	18-36F			
sheet	8 of 10			