



[DBPR HOME](#) | [ABOUT DBPR](#) | [DBPR DIVISIONS](#) | [CONTACT DBPR](#)

[BCIS Home](#) | [Log In](#) | [User Registration](#) | [Hot Topics](#) | [Submit Surcharge](#) | [Stats & Facts](#) | [Publications](#) | [Contact Us](#) | [BCIS Site Map](#) | [Links](#) | [Search](#)



Product Approval
USER: Public User

[Product Approval Menu](#) > [Product or Application Search](#) > [Application List](#) > **Application Detail**

OFFICE OF THE SECRETARY

FL #	FL27001-R3												
Application Type	Revision												
Code Version	2023												
Application Status	Approved												
Comments													
Archived	<input type="checkbox"/>												
Product Manufacturer	Mr-Glass Doors & Windows Manufacturing, LLC												
Address/Phone/Email	8051 NW 79th Place Medley, FL 33166 (305) 470-8284 ulises@mrglasswindows.com												
Authorized Signature	Ulises Senaris ulises@mrglasswindows.com												
Technical Representative	Augusto Arias												
Address/Phone/Email	8120 NW 84th St Medley, FL 33166 (305) 470-8284 aarias@mrglasswindows.com												
Quality Assurance Representative													
Address/Phone/Email													
Category	Exterior Doors												
Subcategory	Swinging Exterior Door Assemblies												
Compliance Method	Evaluation Report from a Florida Registered Architect or a Licensed Florida Professional Engineer <input type="checkbox"/> Evaluation Report - Hardcopy Received												
Florida Engineer or Architect Name who developed the Evaluation Report	Jalal Farooq												
Florida License	PE-81223												
Quality Assurance Entity	Keystone Certifications, Inc.												
Quality Assurance Contract Expiration Date	08/27/2025												
Validated By	Abel Carrasco, PE <input checked="" type="checkbox"/> Validation Checklist - Hardcopy Received												
Certificate of Independence	FL27001_R3_COI_SS - Certificate of Independence.pdf												
Referenced Standard and Year (of Standard)	<table border="0"> <thead> <tr> <th>Standard</th> <th>Year</th> </tr> </thead> <tbody> <tr> <td>ASTM E1886</td> <td>2013</td> </tr> <tr> <td>ASTM E1996</td> <td>2017</td> </tr> <tr> <td>TAS-201</td> <td>1994</td> </tr> <tr> <td>TAS-202</td> <td>1994</td> </tr> <tr> <td>TAS-203</td> <td>1994</td> </tr> </tbody> </table>	Standard	Year	ASTM E1886	2013	ASTM E1996	2017	TAS-201	1994	TAS-202	1994	TAS-203	1994
Standard	Year												
ASTM E1886	2013												
ASTM E1996	2017												
TAS-201	1994												
TAS-202	1994												
TAS-203	1994												
Equivalence of Product Standards Certified By	Florida Licensed Professional Engineer or Architect FL27001_R3_Equiv_SS - Equiv.Ltr ASTM E1886-1996.pdf												
Sections from the Code													

Product Approval Method	Method 1 Option D
Date Submitted	08/01/2023
Date Validated	08/01/2023
Date Pending FBC Approval	08/03/2023
Date Approved	10/17/2023

Summary of Products

FL #	Model, Number or Name	Description
27001.1	Series MG500 Aluminum Outswing French Door	Large missile impact resistant aluminum outswing door.
Limits of Use Approved for use in HVHZ: Yes Approved for use outside HVHZ: Yes Impact Resistant: Yes Design Pressure: +130/-130 Other: See attached drawing 18-47F for installation instructions		Installation Instructions FL27001_R3_II_SS - MG-500 OS Door (LMI) - DWG 18-47F 2023.pdf Verified By: Jalal Farooq PE # 81223 Created by Independent Third Party: Yes Evaluation Reports FL27001_R3_AE_SS - MG-500 OS Door (LMI)-PAE 2023.pdf Created by Independent Third Party: Yes
27001.2	Series MG500-10 Aluminum Outswing French Door	Large missile impact resistant aluminum outswing door.
Limits of Use Approved for use in HVHZ: Yes Approved for use outside HVHZ: Yes Impact Resistant: Yes Design Pressure: +114/-114 Other: See attached drawing 20-51F for installation instructions.		Installation Instructions FL27001_R3_II_SS - MG-500-10 OS Door (LMI)-DWG 20-51F 2023.pdf Verified By: Jalal Farooq PE # 81223 Created by Independent Third Party: Yes Evaluation Reports FL27001_R3_AE_SS - MG-500-10 OS Door (LMI)-PAE 2023.pdf Created by Independent Third Party: Yes

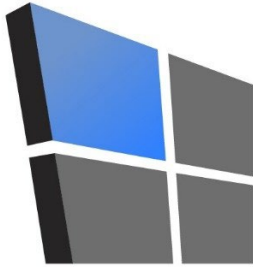
[Back](#) [Next](#)

Contact Us :: [2601 Blair Stone Road, Tallahassee FL 32399](#) Phone: 850-487-1824

The State of Florida is an AA/EEO employer. [Copyright 2007-2013 State of Florida.](#) :: [Privacy Statement](#) :: [Accessibility Statement](#) :: [Refund Statement](#)

Under Florida law, email addresses are public records. If you do not want your e-mail address released in response to a public-records request, do not send electronic mail to this entity. Instead, contact the office by phone or by traditional mail. If you have any questions, please contact 850.487.1395. *Pursuant to Section 455.275(1), Florida Statutes, effective October 1, 2012, licensees licensed under Chapter 455, F.S. must provide the Department with an email address if they have one. The emails provided may be used for official communication with the licensee. However email addresses are public record. If you do not wish to supply a personal address, please provide the Department with an email address which can be made available to the public. To determine if you are a licensee under Chapter 455, F.S., please click [here](#).





AL-FAROOQ CORPORATION

CONSULTING ENGINEERS & PRODUCT DEVELOPMENT

August 11, 2020

Product Approval Administrator
Building Codes & Standards Section
Department of Business & Professional Regulations
1940 North Monroe Street, Suite 90
Tallahassee, FL 32399-2100

To whom it may concern,

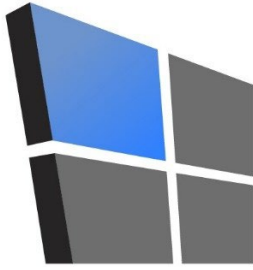
As the design engineer retained to prepare the product approval(s) associated with this letter as shown below on this same web page, I do hereby declare that I do not have and will not have any financial interest in any company manufacturing or distributing the referenced product(s), nor do I have or will have any financial interest with any other entity involved in the approval process of the referenced product(s).

Sincerely,



Sealed 8-11-2020

Jalal Farooq, P.E.
CFO



AL-FAROOQ CORPORATION

CONSULTING ENGINEERS & PRODUCT DEVELOPMENT

August 12, 2020

Product Approval Administrator
Building Codes & Standards Section
Department of Business & Professional Regulations
1940 North Monroe Street, Suite 90
Tallahassee, FL 32399-2100

Ref: Engineer's Statement of Equivalency

To whom it may concern,

As the design engineer retained to prepare the product approval(s) associated with this letter as shown in the summary of products section below, the purpose of this letter is to state that some reference standards have changed. For the scope contained within the subject product approval, the requirements of required items within the new reference standard(s) is still met because:

- ASTM **E1886-02/05** are no longer applicable, and instead the reference standard is reduced to ASTM **E1886-12/13a**. A comparison of the older standard with the newer standard shows that they are equivalent, as relevant and applicable.
- ASTM **E1996-05/06/09** are no longer applicable, and instead the reference standards are ASTM **E1996-12a/14a/17**. A comparison of the older standard with the newer standard shows that they are equivalent, as relevant and applicable.

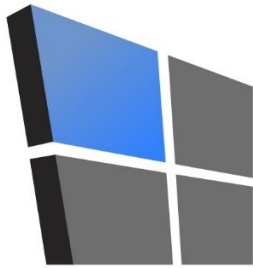
If you have any questions, please feel free to call our office.

Sincerely,



Sealed: 10/7/2020

Jalal Farooq, P.E.
CFO



AL-FAROOQ CORPORATION

CONSULTING ENGINEERS & PRODUCT DEVELOPMENT

PRODUCT APPROVAL EVALUATION RULE CHAPTER #61G20-3 • METHOD 1 OPTION D

FL 27001

Date: 07/21/2023

Detailed Product Description:

Manufacturer: MR-GLASS DOORS & WINDOWS MANUFACTURING, LLC.

Manufacturer Address: 8051 NW 79th PLACE, MEDLEY, FL 33166

Model Name: SERIES MG-500-10 ALUMINUM OUTSWING DOOR

Maximum Load: +114, -114 PSF (Large Missile Impact)

Installation Drawings # 20-51F

This product complies with the High Velocity Hurricane Zone (HVHZ) testing requirements.					
For maximum sizes, combination of span vs loads and anchor type refer to installation drawings.					
Comparative analysis used <input type="checkbox"/> Yes <input checked="" type="checkbox"/> No					
Mandatory Tests (Tested in accordance with AAMA 101/I.S.2/NAFS/TAS-202)					
TEST	DESCRIPTION	TEST LOCATION	TEST REPORT DATE	TEST REPORT #	TEST SEALED BY
ASTM E283	Air Infiltration Leakage	Blackwater Testing Inc. Intertek	5/17/2018 11/17/2020 11/10/2022	BW-ESW-18-004 BT-ESW-20-040 F3920.01-450-18	Constantin Bortes, PE Vinu Abraham, PE
ASTM E331 OR ASTM 547 & TAS 202	Water Penetration	Blackwater Testing Inc. Intertek	5/17/2018 11/10/2022	BW-ESW-18-004 F3920.01-450-18	Constantin Bortes, PE Vinu Abraham, PE
ASTM E330 & TAS 202	Uniform Static Air Press.	Blackwater Testing Inc. Intertek	5/17/2018 11/17/2020 11/10/2022	BW-ESW-18-004 BT-ESW-20-040 F3920.01-450-18	Constantin Bortes, PE Vinu Abraham, PE
AAMA 1304	Forced Entry Test	Blackwater Testing Inc. Intertek	5/17/2018 11/17/2020 11/10/2022	BW-ESW-18-004 BT-ESW-20-040 F3920.01-450-18	Constantin Bortes, PE Vinu Abraham, PE

Supplemental Tests (Tested in accordance with TAS-201 and TAS-203)

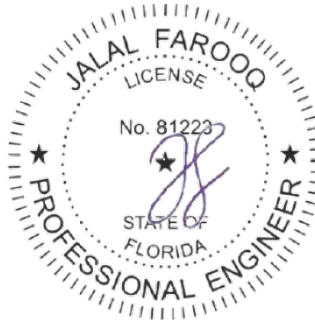
TEST	DESCRIPTION	TEST LOCATION	TEST REPORT DATE	TEST REPORT #	TEST SEALED BY
FBC 1626.2 (TAS 201 & 203) ASTME1886/1996	Large Missile Impact & Cyclic	Blackwater Testing Inc. Intertek Blackwater	5/17/2018 11/17/2020 11/10/2022 05/22/2023	BW-ESW-18-004 BT-ESW-20-040 F3920.01-450-18 BT-ESW-23-004	Constantin Bortes, PE Vinu Abraham, PE Michael Caldwell, PE

Under the limitations of the attached installation drawings, to the best of my knowledge and ability, the above product conforms to the requirements of the 2023 Florida Building Code.

Evaluation Report Engineer:

Jalal Farooq
Al-Farooq Corporation

PE # 81223
EB # 3538



Sealed: 8/1/2023

SERIES MG500-10

ALUMINUM OUTSWING ENTRANCE DOOR

SEE SHEETS 2 & 2.1 FOR DESIGN LOAD CAPACITY OF SINGLE AND DOUBLE DOORS WITHOUT TRANSOMS.

SEE SHEETS 3 & 4 FOR DESIGN LOAD CAPACITY OF SINGLE AND DOUBLE DOORS WITH TRANSOMS.

LOWER VALUES FROM DOOR CAPACITY OR TRANSOM CAPACITY CHART WILL APPLY.

DOORS CAN ALSO BE USED WITH MR. GLASS SERIES ES-9500 OR SERIES MG5000 WINDOW WALL SYSTEMS UNDER SEPARATE APPROVAL.

SEE SEPARATE APPROVALS FOR SERIES ES-9500 AND SERIES MG5000 WINDOW WALL DOOR MULLION CAPACITIES.

LOWER VALUES FROM DOOR CAPACITY CHARTS OR WINDOW WALL APPROVAL WILL APPLY TO ENTIRE SYSTEM.

DOORS WITH HIGH THRESHOLD (ES-9026) APPROVED FOR INSTALLATIONS WHERE WATER INFILTRATION RESISTANCE IS REQUIRED. STANDARD AND MEDIUM THRESHOLDS NOT APPROVED FOR WATER INFILTRATION RESISTANCE. SEE SHEET 6 FOR DETAILS.

THIS PRODUCT HAS BEEN DESIGNED AND TESTED TO COMPLY WITH THE REQUIREMENTS OF THE 2020 (7TH EDITION)/2023 (8TH EDITION) FLORIDA BUILDING CODE INCLUDING HIGH VELOCITY HURRICANE ZONE (HVHZ).

1BY OR 2BY WOOD BUCKS & BUCK FASTENERS BY OTHERS, MUST BE DESIGNED AND INSTALLED ADEQUATELY TO TRANSFER APPLIED PRODUCT LOADS TO THE BUILDING STRUCTURE.

ANCHORS SHALL BE CORROSION RESISTANT, SPACED AS SHOWN ON DETAILS AND INSTALLED PER MANUF'S INSTRUCTIONS. SPECIFIED EMBEDMENT TO BASE MATERIAL SHALL BE BEYOND WALL DRESSING OR STUCCO.

A LOAD DURATION INCREASE IS USED IN DESIGN OF ANCHORS INTO WOOD ONLY.

ALL SHIMS TO BE HIGH IMPACT, NON-METALLIC AND NON-COMPRESSIBLE.

MATERIALS INCLUDING BUT NOT LIMITED TO STEEL/METAL SCREWS, THAT COME INTO CONTACT WITH OTHER DISSIMILAR MATERIALS SHALL MEET THE REQUIREMENTS OF THE 2020/2023 FLORIDA BLDG. CODE & ADOPTED STANDARDS.

THIS PRODUCT APPROVAL IS GENERIC AND DOES NOT PROVIDE INFORMATION FOR A SITE SPECIFIC PROJECT, i.e. LIFE SAFETY OF THIS PRODUCT, ADEQUACY OF STRUCTURE RECEIVING THIS PRODUCT AND SEALING AROUND OPENING FOR WATER INFILTRATION RESISTANCE ETC. CONDITIONS NOT SHOWN IN THIS DRAWING ARE TO BE ANALYZED SEPARATELY, AND TO BE REVIEWED BY BUILDING OFFICIAL.

DESIGN LOADS SHOWN ARE BASED ON 'ALLOWABLE STRESS DESIGN (ASD)'.
MANUFACTURER'S LABEL SHALL BE LOCATED ON A READILY VISIBLE LOCATION IN ACCORDANCE WITH SECTION 1709.9.3 OF FLORIDA BUILDING CODE. LABELING TO COMPLY WITH SECTION 1709.9.2.

GLASS D.L.O. DIMS.

D.L.O. HEIGHT (DOOR) = FRAME HEIGHT - 15.250" (STD. THRESHOLD)

D.L.O. HEIGHT (DOOR) = FRAME HEIGHT - 15.750" (MED. & HIGH THRESHOLDS)

D.L.O. WIDTH (DOOR) = FRAME WIDTH - 14.0625"

D.L.O. HEIGHT (9500 TRANSOM) = TRANSOM HEIGHT - 5"

D.L.O. WIDTH (9500 TRANSOM) = FRAME WIDTH - 7"

D.L.O. HEIGHT (ES-8000 TRANSOM) = TRANSOM HEIGHT - 5.5"

D.L.O. WIDTH (ES-8000 TRANSOM) = FRAME WIDTH - 5.5"

LEAF HEIGHT = FRAME HEIGHT - 2.938" (STD. THRESHOLD)

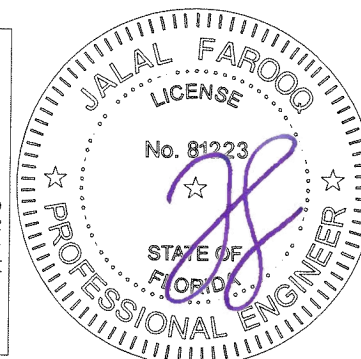
LEAF HEIGHT = FRAME HEIGHT - 2.438" (MED. & HIGH THRESHOLDS)

LEAF WIDTH = FRAME WIDTH - 5.188"

THESE DOORS ARE RATED FOR LARGE & SMALL MISSILE IMPACT. SHUTTERS ARE NOT REQUIRED.

Sealed: 8/1/2023 FL #27001

- A- CONTRACTOR TO BE RESPONSIBLE FOR THE SELECTION, PURCHASE AND INSTALLATION OF THIS PRODUCT BASED ON THIS PRODUCT EVALUATION PROVIDED HE/SHE DOES NOT DEVIATE FROM THE CONDITIONS DETAILED ON THIS DOCUMENT.
- B- THIS PRODUCT EVALUATION DOCUMENT WILL BE CONSIDERED INVALID IF ALTERED BY ANY MEANS.
- C- SITE SPECIFIC PROJECTS SHALL BE PREPARED BY A FLORIDA REGISTERED ENGINEER OR ARCHITECT WHICH WILL BECOME THE ENGINEER OF RECORD (E.O.R.) FOR THE PROJECT AND WHO WILL BE RESPONSIBLE FOR THE PROPER USE OF THE P.E.D. ENGINEER OF RECORD, ACTING AS A DELEGATED ENGINEER TO THE P.E.D. ENGINEER SHALL SUBMIT TO THIS LATTER THE SITE SPECIFIC DRAWINGS FOR REVIEW.
- D- THIS P.E.D. SHALL BEAR THE DATE AND ORIGINAL SEAL AND SIGNATURE OF THE PROFESSIONAL ENGINEER OF RECORD THAT PREPARED IT.



NOTE:
GLASS CAPACITIES ARE BASED ON
ASTM E1300-09 (3 SEC. GUSTS)
AND FLORIDA BUILDING COMMISSION
DECLARATORY STATEMENT DCA05-DEC-219



AL-FAROOQ CORPORATION
ENGINEERS & PRODUCT DEVELOPMENT
9360 SUNSET DRIVE, SUITE 220
MIAMI, FLORIDA 33173 (C.A.N. 3538)
TEL. (305) 264-8100 FAX. (305) 262-6978

COMP-ANL\20-51F-MG

SERIES MG500-10 ALUM OUTSWING FRENCH DOOR (L.M.I.)
MR-GLASS DOORS & WINDOWS MANUFACTURING, LLC
8051 N.W. 79th Place
Medley, FL, 33166
Tel. (305) 764-3963 Fax. (305) 470-8285

no	date	by	description
A	07.22.20		UPDATED TO 2020 FBC
B	08.01.23		UPDATED TO 2023 FBC

date: 06-08-20
scale: -
dr. by: TARIQ
chk. by:
drawing no. 20-51F
sheet 1 of 21

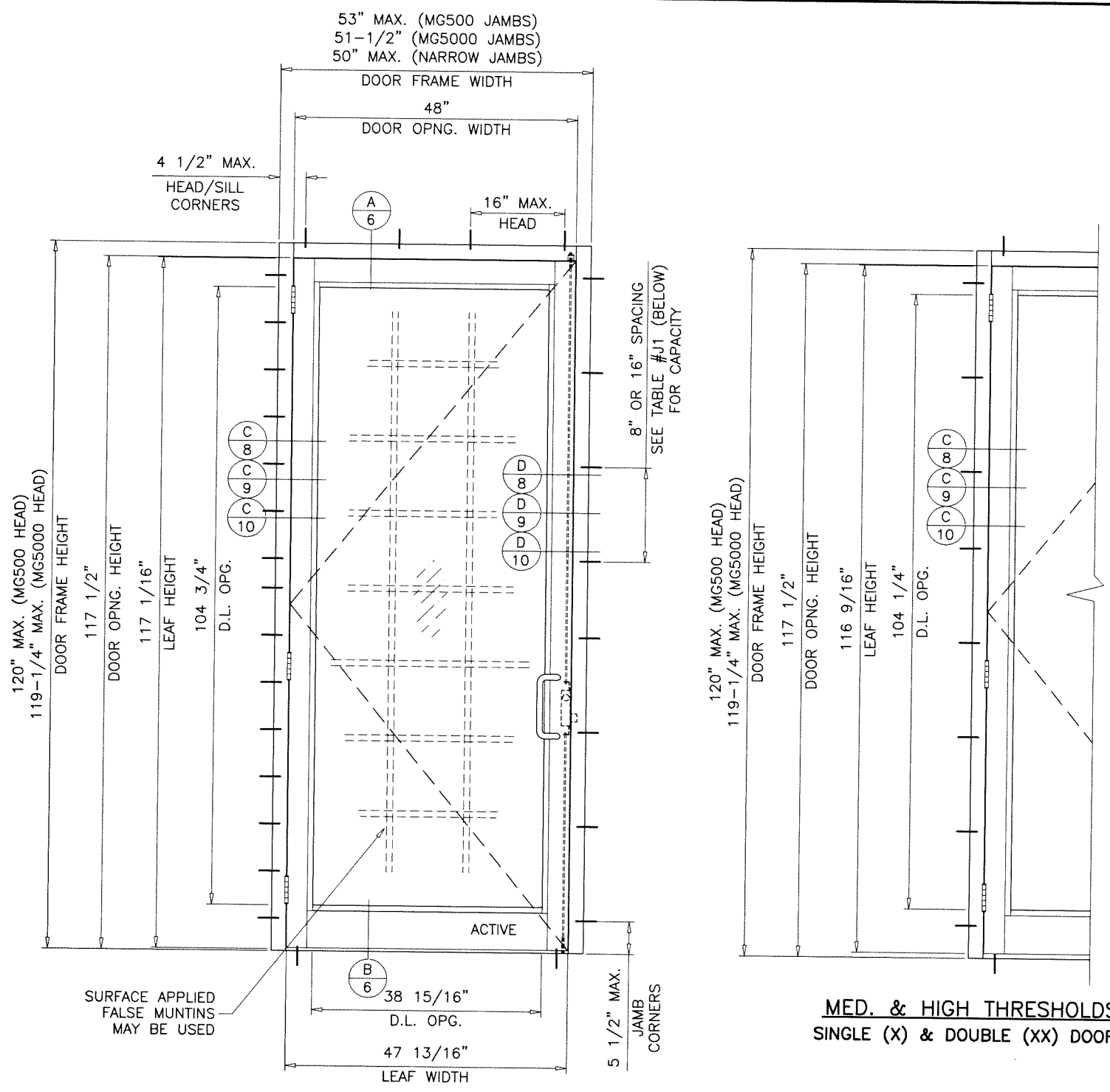
DOORS LOAD CAPACITY - PSF SINGLE DOORS (X)			
SINGLE DOOR (X) DIMS.		GLASS TYPES 'A' & 'Ai'	
DOOR OPNG. WIDTH	DOOR OPNG. HEIGHT	EXT.(+)	INT.(-)
42"	108"	90.0	90.0

DOORS LOAD CAPACITY - PSF SINGLE DOORS (X)			
SINGLE DOOR (X) DIMS.		GLASS TYPES 'B' & 'Bi'	
DOOR OPNG. WIDTH	DOOR OPNG. HEIGHT	EXT.(+)	INT.(-)
48"	117-1/2"	90.0	90.0

DOORS LOAD CAPACITY - PSF SINGLE DOORS (X)			
SINGLE DOOR (X) DIMS.		GLASS TYPE 'BB'	
DOOR OPNG. WIDTH	DOOR OPNG. HEIGHT	EXT.(+)	INT.(-)
38"	113-1/2"	114.0	114.0
41"	105-1/2"	114.0	114.0

TABLE #J1		SINGLE DOOR JAMB ANCHORS LOAD CAPACITY - PSF								
SINGLE DOOR DIMS.		1/4" SHIM SPACE			3/8" SHIM SPACE			1/2" SHIM SPACE		
		SPACING AT 16" O.C.		AT 8" O.C.	SPACING AT 16" O.C.		AT 8" O.C.	SPACING AT 16" O.C.		AT 8" O.C.
		ANCHOR 'A'	ANCHOR 'C' & 'D'	ANCHOR 'A', 'C' & 'D'	ANCHOR 'A'	ANCHOR 'C'	ANCHOR 'A' & 'C'	ANCHOR 'A'	ANCHOR 'C'	ANCHOR 'A' & 'C'
DOOR OPNG. WIDTH	DOOR OPNG. HEIGHT	EXT.(+)	EXT.(+)	EXT.(+)	EXT.(+)	EXT.(+)	EXT.(+)	EXT.(+)	EXT.(+)	EXT.(+)
		INT.(-)	INT.(-)	INT.(-)	INT.(-)	INT.(-)	INT.(-)	INT.(-)	INT.(-)	INT.(-)
42"	108"	90.0	90.0	90.0	70.2	90.0	90.0	54.6	79.0	90.0
48"	117-1/2"	88.0	90.0	90.0	62.3	89.0	90.0	48.4	70.0	90.0
38"	113-1/2"	109.0	114.0	114.0	76.9	109.4	114.0	59.8	86.4	114.0
41"	105-1/2"	101.9	114.0	114.0	71.9	102.3	114.0	55.9	80.7	114.0

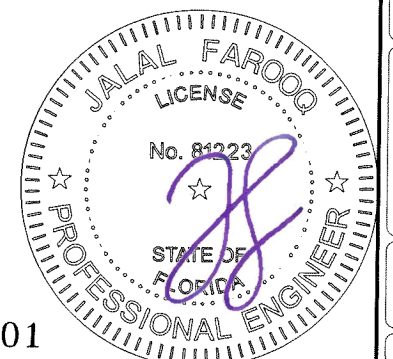
SEE SHEET 7 FOR ANCHOR DESCRIPTION



TYPICAL ELEVATION
SINGLE (X) STD. THRESHOLD

MED. & HIGH THRESHOLDS
SINGLE (X) & DOUBLE (XX) DOORS

Sealed: 8/1/2023



FL #27001

AL-FAROOQ CORPORATION
ENGINEERS & PRODUCT DEVELOPMENT
9360 SUNSET DRIVE, SUITE 220
MIAMI, FLORIDA 33173
TEL. (305) 264-8100 FAX. (305) 262-6978

COMP-ANL\20-51F-MC

SERIES MC500-10 ALUM OUTSWING FRENCH DOOR (L.M.I.)

MR-GLASS DOORS & WINDOWS MANUFACTURING, LLC
8051 N.W. 79th Place
Medley, FL 33166
Tel. (305) 764-3963 Fax. (305) 470-8285

revisions:
no. date by description

--	--	--	--

date: 06-08-20
scale: 1/2"=1'-0"
dr. by: TARIQ
chk. by:

drawing no.

20-51F

sheet 2 of 21

DOORS LOAD CAPACITY - PSF DOUBLE DOORS (XX)			
DOUBLE DOOR (XX) DIMS.		GLASS TYPES 'A' & 'Ai'	
DOOR OPNG. WIDTH	DOOR OPNG. HEIGHT	EXT.(+)	INT.(-)
84"	108"	90.0	90.0

DOORS LOAD CAPACITY - PSF DOUBLE DOORS (XX)			
DOUBLE DOOR (XX) DIMS.		GLASS TYPES 'B' & 'Bi'	
DOOR OPNG. WIDTH	DOOR OPNG. HEIGHT	EXT.(+)	INT.(-)
96"	117-1/2"	90.0	90.0

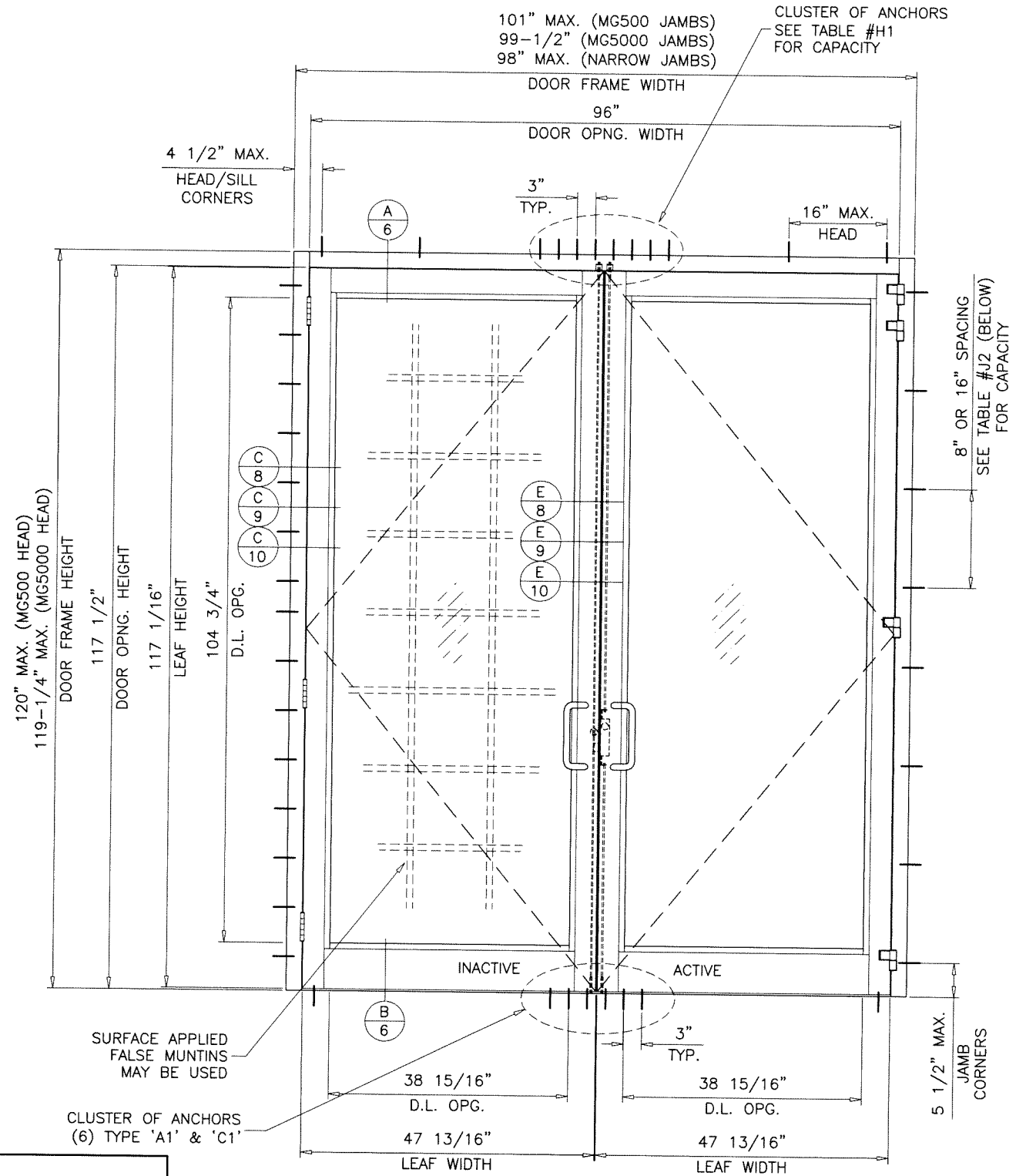
DOORS LOAD CAPACITY - PSF DOUBLE DOORS (XX)			
DOUBLE DOOR (XX) DIMS.		GLASS TYPE 'BB'	
DOOR OPNG. WIDTH	DOOR OPNG. HEIGHT	EXT.(+)	INT.(-)
75-7/8"	113-1/2"	114.0	114.0
81-7/8"	105-1/2"	114.0	114.0

TABLE #J2		DOUBLE DOOR JAMB ANCHORS LOAD CAPACITY - PSF									
DOUBLE DOOR DIMS.		1/4" SHIM SPACE			3/8" SHIM SPACE			1/2" SHIM SPACE			
		SPACING AT 16" O.C.		AT 8" O.C.	SPACING AT 16" O.C.		AT 8" O.C.	SPACING AT 16" O.C.		AT 8" O.C.	
		ANCHOR 'A', 'C' & 'D'	ANCHOR 'A', 'C', 'D'	ANCHOR 'A'	ANCHOR 'C'	ANCHOR 'A' & 'C'	ANCHOR 'A'	ANCHOR 'C'	ANCHOR 'A' & 'C'	ANCHOR 'A'	ANCHOR 'C'
DOOR OPNG. WIDTH	DOOR OPNG. HEIGHT	EXT.(+)	INT.(-)	EXT.(+)	INT.(-)	EXT.(+)	INT.(-)	EXT.(+)	INT.(-)	EXT.(+)	INT.(-)
84"	108"	90.0	90.0	74.2	90.0	90.0	57.7	83.0	90.0		
96"	117-1/2"	90.0	90.0	65.4	90.0	90.0	50.8	73.0	90.0		
75-7/8"	113-1/2"	114.0	114.0	81.6	114.0	114.0	63.5	91.7	114.0		
81-7/8"	105-1/2"	107.7	114.0	76.0	108.2	114.0	59.1	85.4	114.0		

SEE SHEET 7 FOR ANCHOR DESCRIPTION

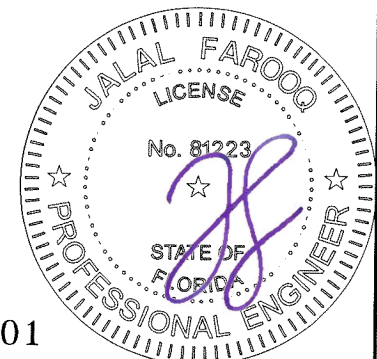
TABLE #H1		DOUBLE DOOR HEAD ANCHORS LOAD CAPACITY - PSF											
DOOR DIMS.		1/4" SHIM SPACE		3/8" SHIM SPACE				1/2" SHIM SPACE					
		CLUSTER OF 6		CLUSTER OF 8		CLUSTER OF 6		CLUSTER OF 8		CLUSTER OF 6		CLUSTER OF 8	
		ANCHOR 'A', 'C' & 'D'	ANCHOR 'A'	ANCHOR 'C'	ANCHOR 'A'	ANCHOR 'C'	ANCHOR 'A'	ANCHOR 'C'	ANCHOR 'A'	ANCHOR 'C'	ANCHOR 'A'	ANCHOR 'C'	
DOOR OPNG. WIDTH	DOOR OPNG. HEIGHT	EXT.(+)	INT.(-)	EXT.(+)	INT.(-)	EXT.(+)	INT.(-)	EXT.(+)	INT.(-)	EXT.(+)	INT.(-)		
84"	108"	90.0	75.2	90.0	75.2	90.0	90.0	90.0	58.5	90.0	75.2	90.0	
96"		90.0	66.2	90.0	66.3	90.0	85.2	90.0	51.5	80.0	66.2	90.0	
84"	117-1/2"	90.0	69.2	90.0	69.2	90.0	89.0	90.0	53.8	78.0	69.2	90.0	
96"		90.0	61.0	90.0	61.0	90.0	78.4	90.0	47.4	72.0	61.0	90.0	
75-7/8"	113-1/2"	111.7	114.0	114.0	78.8	112.2	101.3	114.0	61.3	88.5	78.8	113.8	
81-7/8"	105-1/2"	111.7	114.0	114.0	78.8	112.2	101.3	114.0	61.3	88.5	78.8	113.8	

SEE SHEET 7 FOR ANCHOR DESCRIPTION



TYPICAL ELEVATION
DOUBLE (XX) STD. THRESHOLD

Sealed: 8/1/2023



FL #27001

af c

AL-FAROOQ CORPORATION
ENGINEERS & PRODUCT DEVELOPMENT
9360 SUNSET DRIVE, SUITE 220
MIAMI, FLORIDA 33173
TEL. (305) 264-8100 FAX. (305) 262-6978
COMP-ANL\20-51F-MG

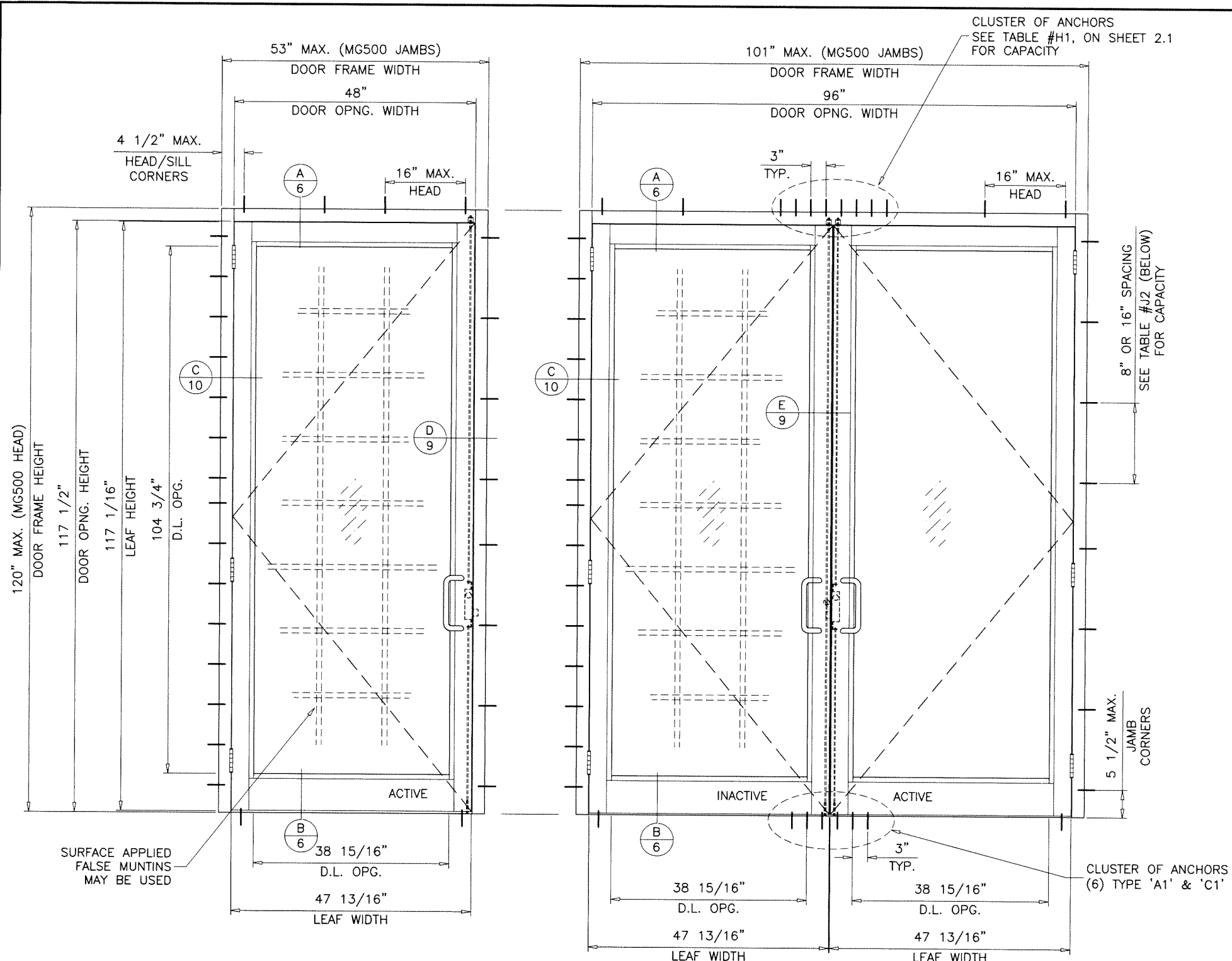
SERIES MG500-10 ALUM OUTSWING FRENCH DOOR (L.M.I.)

MR-GLASS DOORS & WINDOWS MANUFACTURING, LLC
8051 N.W. 79th Place
Medley, FL. 33166
Tel. (305) 764-3963 Fax. (305) 470-8285

no	date	description

date: 06-08-20
scale: 1/2"=1'-0"
dr. by: TARIQ
chk. by:

drawing no.
20-51F
sheet 2.1 of 21



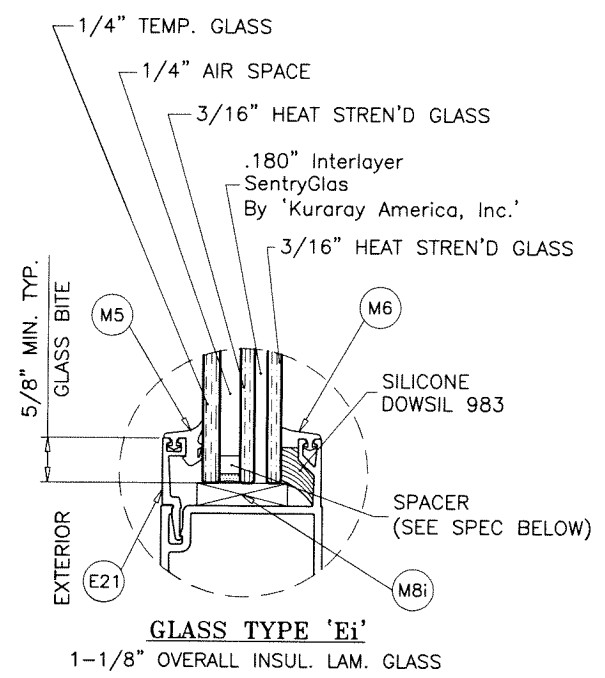
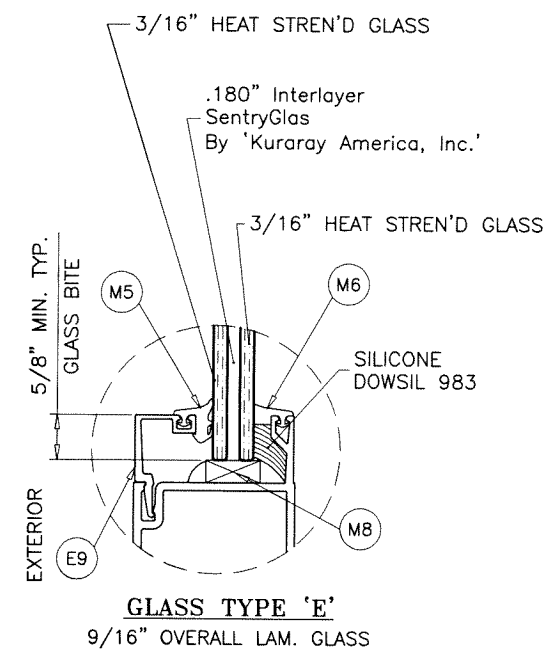
TYPICAL ELEVATION
SINGLE (X) STD. THRESHOLD

TYPICAL ELEVATION
DOUBLE (XX) STD. THRESHOLD

GLASS TYPES 'E' & 'Ei'
MAXIMUM DESIGN LOAD RATING = + 90.0 PSF
- 90.0 PSF
(ONLY FOR DOOR SIZES SHOWN ON THIS SHEET OR SMALLER)

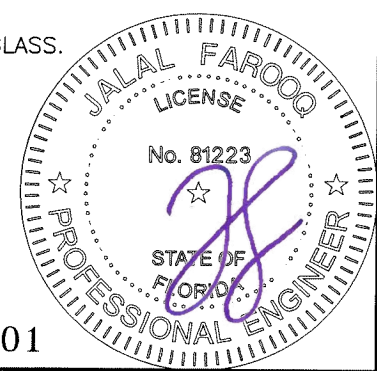
THESE FRAMES CAN BE USED AT ALL SUBSTRATES SHOWN ON SHEETS 6, 7 AND 9.

DOOR LOCKS OPTION #1 SHOWN ON SHEET 15.
DOOR HINGES OPTION #1 SHOWN ON SHEET 16.



GLAZING OPTIONS (LEVEL 'E' IMPACT)
DOOR LEAF

1/4" AIR SPACE CONSISTING OF:
SPACER:
'HELIMA' LOW PROFILE ALUMINUM SPACER
BY 'LINGERMANN GMBH'
AROUND THE PERIMETER OF THE GLASS.
PERIMETER SEALANT:
SILICONE
DOWSIL 791
GE 2000



FL #27001

af c
AL-FAROOQ CORPORATION
ENGINEERS & PRODUCT DEVELOPMENT
9360 SUNSET DRIVE, SUITE 220
MIAMI, FLORIDA 33173 (C.A.N. 3538)
TEL. (305) 264-8100 FAX. (305) 262-6978
COMP-ANL 20-51F-MG

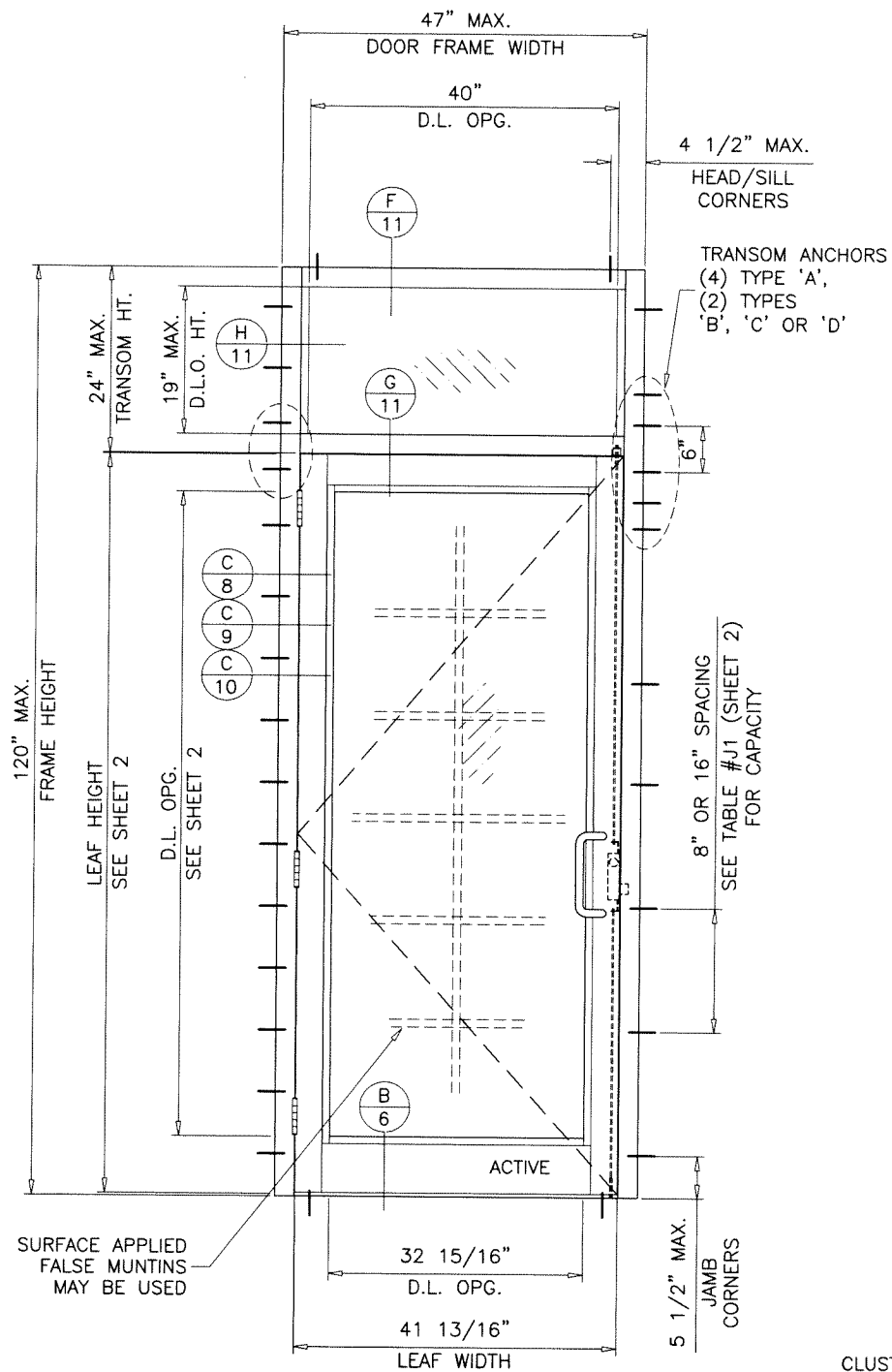
SERIES MC500-10 ALUM OUTSWING FRENCH DOOR (L.M.I.)
MR-GLASS DOORS & WINDOWS MANUFACTURING, LLC
8051 N.W. 79th Place
Medley, FL. 33166
Tel. (305) 764-3963 Fax. (305) 470-8285

revisions:	no	date	by	description

date: 06-08-20
scale: 1/2"=1'-0"
dr. by: TARIQ
chk. by:

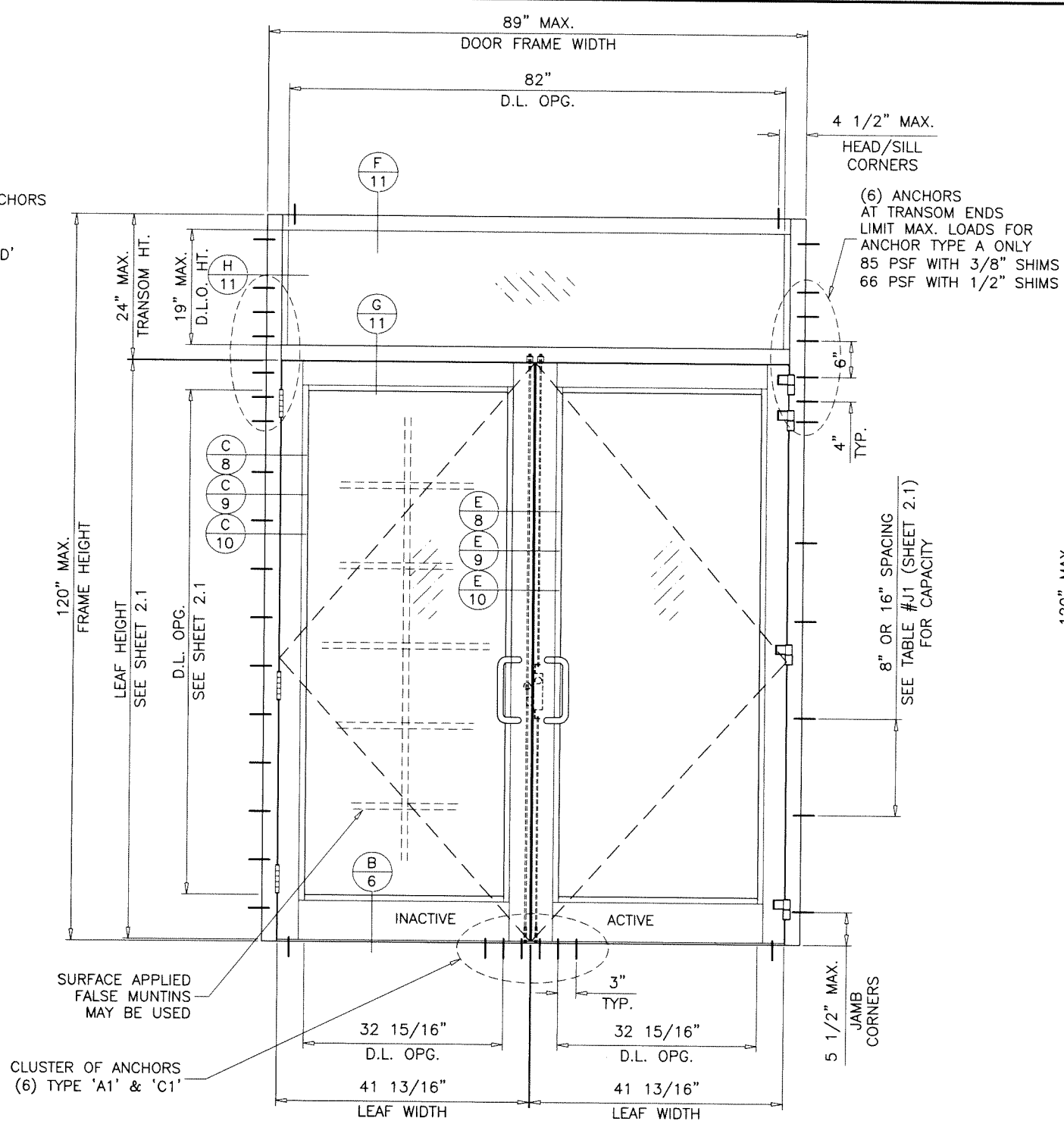
drawing no.
20-51F
sheet 2.2 of 21

Sealed: 8/1/2023



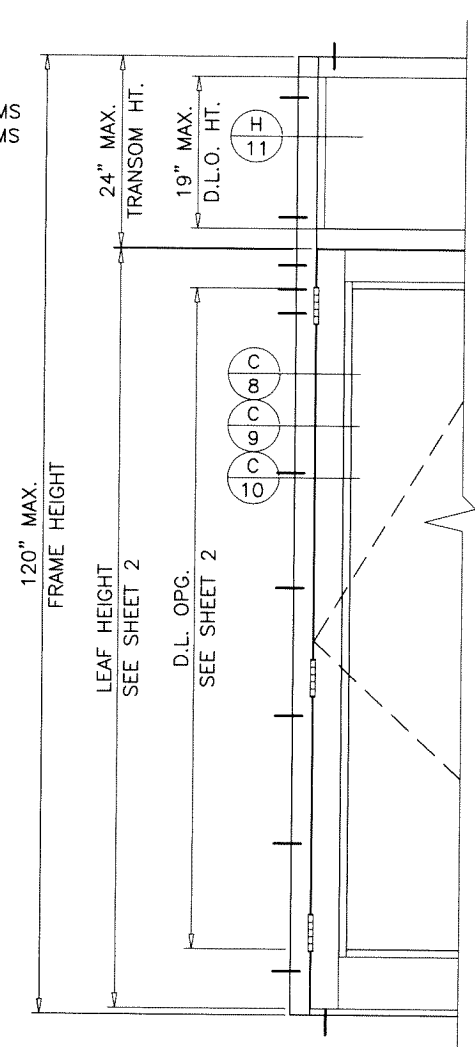
TYPICAL ELEVATION
SINGLE (O/X) STD. THRESHOLD
(ES-9500 TRANSOM)

SINGLE DOORS WITH TRANSOM (O/X) CAPACITY - PSF				
GLASS TYPES 'A', 'Ai' & 'B', 'Bi' (DOOR)				
GLASS TYPES 'A', 'B' & 'Ci' (TRANSOM)				
FRAME WIDTH	DOOR HEIGHT	TRANSOM HEIGHT	EXT.(+)	INT.(-)
47" (X)	108"	12"	90.0	90.0



TYPICAL ELEVATION
DOUBLE (O/XX) STD. THRESHOLD
(ES-9500 TRANSOM)

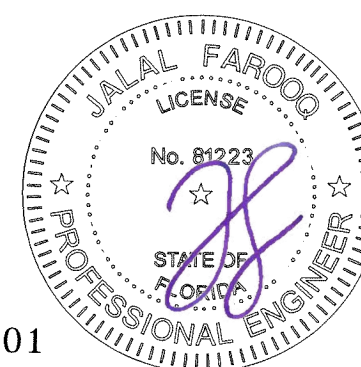
DOUBLE DOORS WITH TRANSOM (O/XX) CAPACITY - PSF				
GLASS TYPES 'A', 'Ai' & 'B', 'Bi' (DOOR)				
GLASS TYPES 'A', 'B' & 'Ci' (TRANSOM)				
FRAME WIDTH	DOOR HEIGHT	TRANSOM HEIGHT	EXT.(+)	INT.(-)
89" (XX)	108"	12"	90.0	90.0



MED. & HIGH THRESHOLDS
SINGLE (X) & DOUBLE (XX) DOORS

SEE SHEETS 2 AND 2.1 FOR DOOR GLASS OPTIONS

Sealed: 8/1/2023



FL #27001

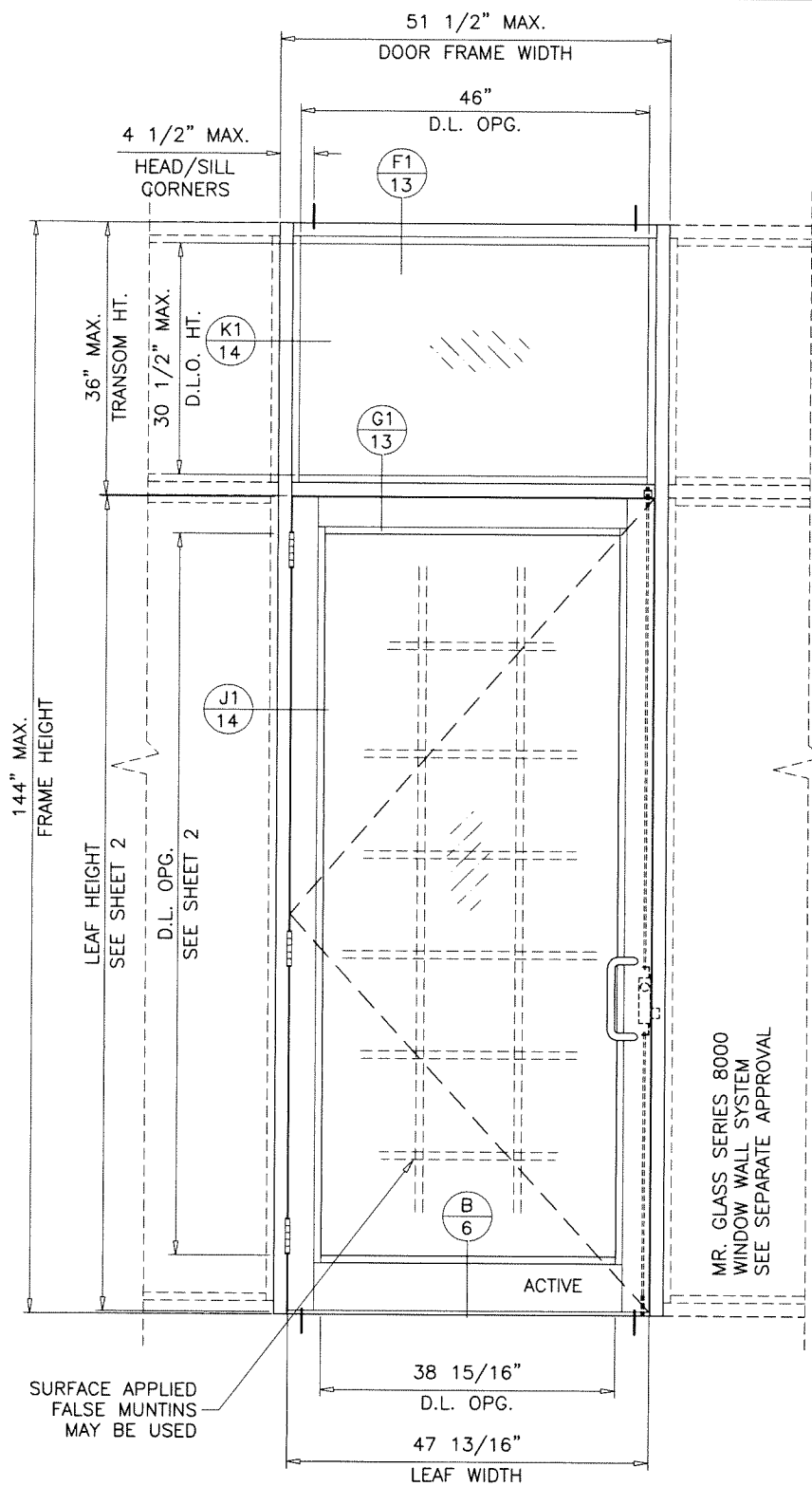
af c

AL-FAROOQ CORPORATION
 ENGINEERS & PRODUCT DEVELOPMENT
 9360 SUNSET DRIVE, SUITE 220
 MIAMI, FLORIDA 33173 (C.A.N. 353B)
 TEL. (305) 264-8100 FAX. (305) 262-6978
 COMP-ANL\20-51F-MG

SERIES MG500-10 ALUM OUTSWING FRENCH DOOR (L.M.I.)
MR-GLASS DOORS & WINDOWS MANUFACTURING, LLC
 8051 N.W. 79th Place
 Medley, FL. 33166
 Tel. (305) 764-3963 Fax. (305) 470-8285

no	date	by	description

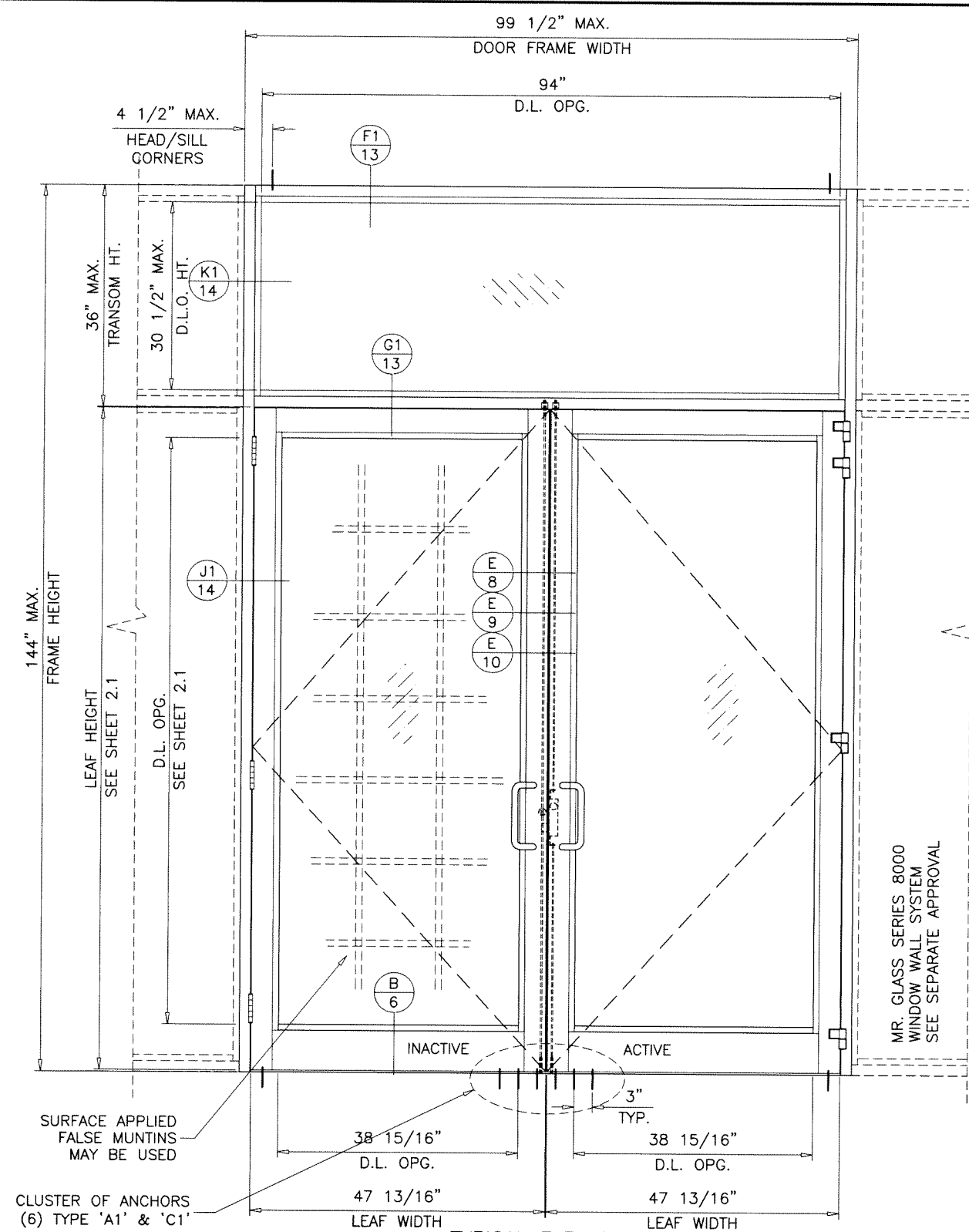
date: 06-08-20 scale: 1/2"=1'-0" dr. by: TARIQ chk. by:
 drawing no. **20-51F**
 sheet 3 of 21



TYPICAL ELEVATION
SINGLE (O/X) STD. THRESHOLD
(MG5000 TRANSOM)

SINGLE DOORS WITH TRANSOM (O/X) CAPACITY - PSF GLASS TYPE 'B' (TRANSOM)				
FRAME WIDTH	DOOR HEIGHT	TRANSOM HEIGHT	WITHOUT REINF.	
			EXT.(+)	INT.(-)
51-1/2" (X)	108"	12"	90.0	90.0
		18"	90.0	90.0
		24"	90.0	90.0
		30"	90.0	90.0
		36"	90.0	90.0

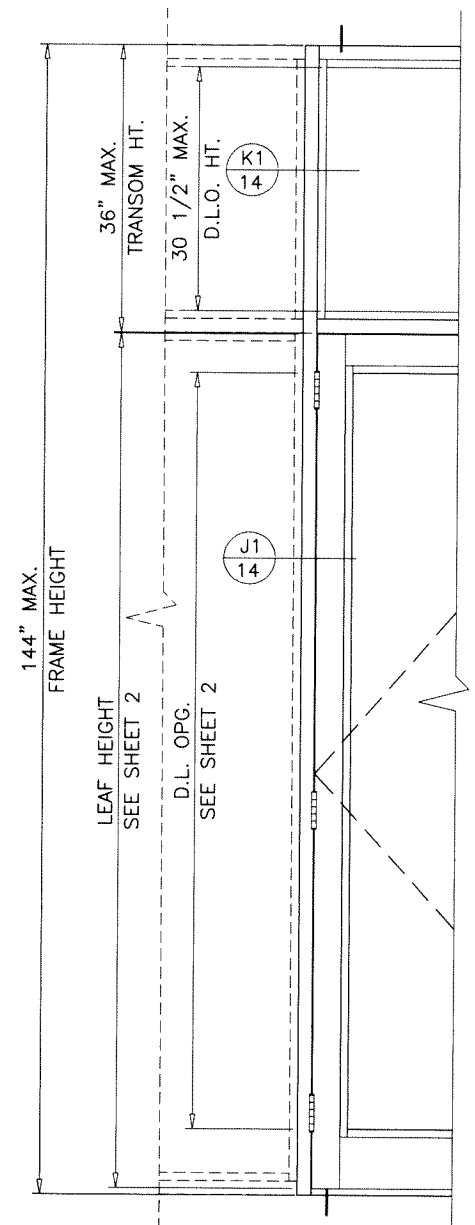
SEE SHEETS 2 AND 2.1
FOR DOOR GLASS OPTIONS



TYPICAL ELEVATION
DOUBLE (O/XX) STD. THRESHOLD
(MG5000 TRANSOM)

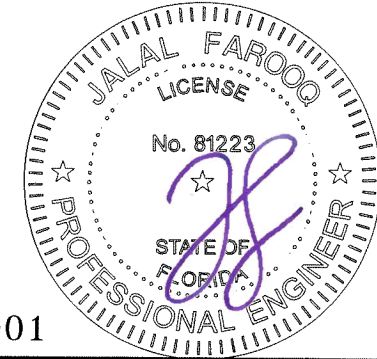
DOUBLE DOORS WITH TRANSOM (O/XX) CAPACITY - PSF GLASS TYPE 'B' (TRANSOM)				
FRAME WIDTH	DOOR HEIGHT	TRANSOM HEIGHT	WITH REINF.	
			EXT.(+)	INT.(-)
99-1/2" (XX)	108"	12"	90.0	90.0
		18"	90.0	90.0
		24"	90.0	90.0
		30"	90.0	90.0
		36"	90.0	90.0

SEE SHEET 12
FOR REINF. DETAIL



MED. & HIGH THRESHOLDS
SINGLE (X) & DOUBLE (XX) DOORS

Sealed: 8/1/2023



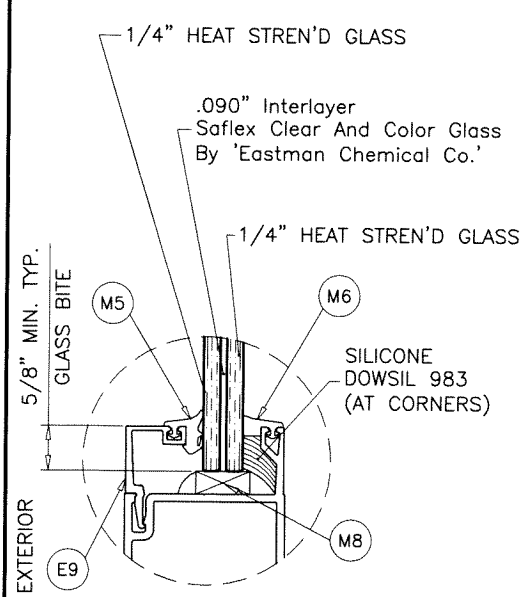
FL #27001

af c
AL-FAROOQ CORPORATION
ENGINEERS & PRODUCT DEVELOPMENT
9360 SUNSET DRIVE, SUITE 220
MIAMI, FLORIDA 33173 (C.A.N. 3538)
TEL. (305) 264-8100 FAX. (305) 262-6978
COMP-ANL\20-51F-MG

SERIES MG500-10 ALUM OUTSWING FRENCH DOOR (L.M.I.)
MR-GLASS DOORS & WINDOWS MANUFACTURING, LLC
8051 N.W. 79th Place
Medley, FL. 33166
Tel. (305) 764-3963 Fax. (305) 470-8285

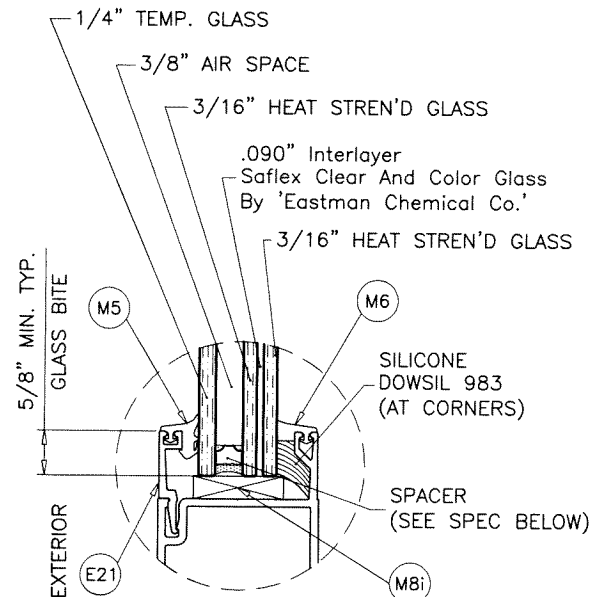
revisions:	
no	date by description

date: 06-08-20	scale: 1/2"=1'-0"	dr. by: TARIQ	chk. by:
drawing no. 20-51F			
sheet 4 of 21			



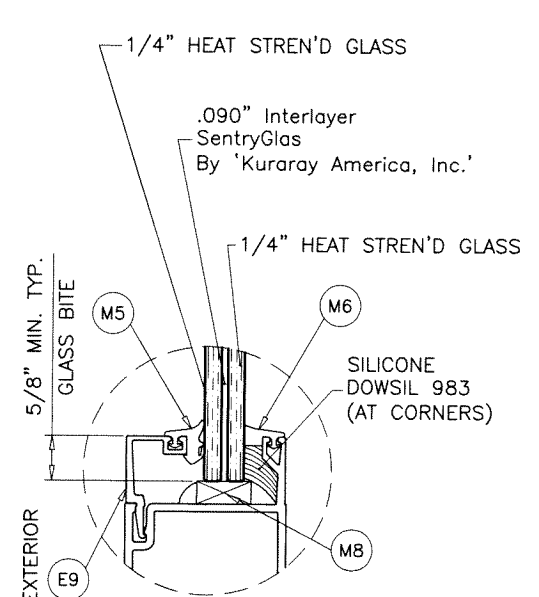
GLASS TYPE 'A'

9/16" OVERALL LAM. GLASS



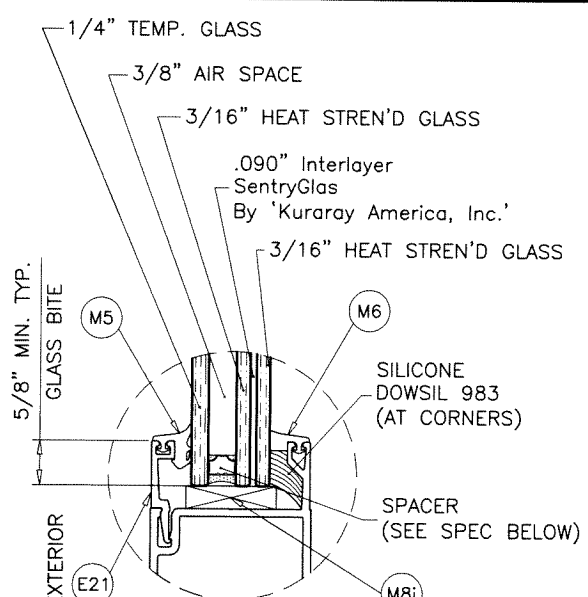
GLASS TYPE 'Ai'

1-1/8" OVERALL INSUL. LAM. GLASS



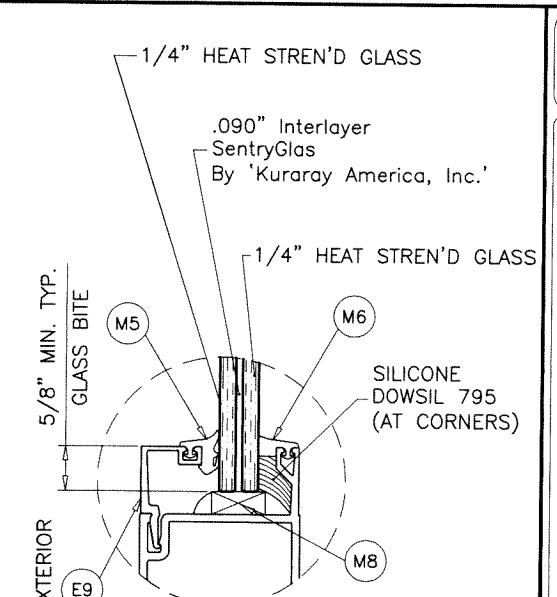
GLASS TYPE 'B'

9/16" OVERALL LAM. GLASS



GLASS TYPE 'Bi'

1-1/8" OVERALL INSUL. LAM. GLASS

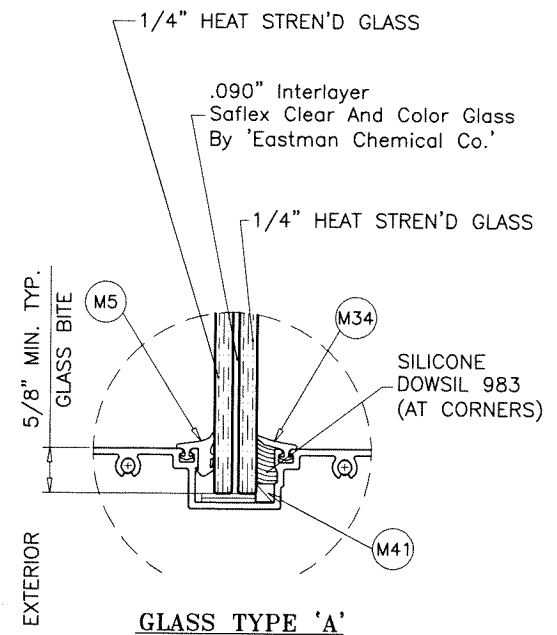
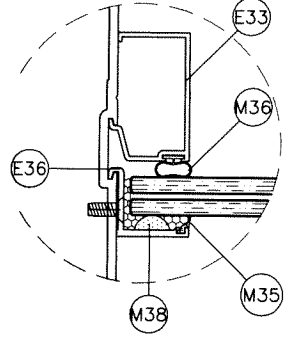
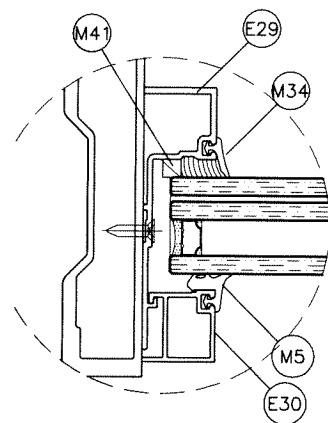
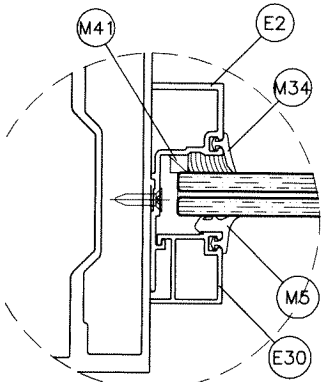


GLASS TYPE 'BB'

9/16" OVERALL LAM. GLASS

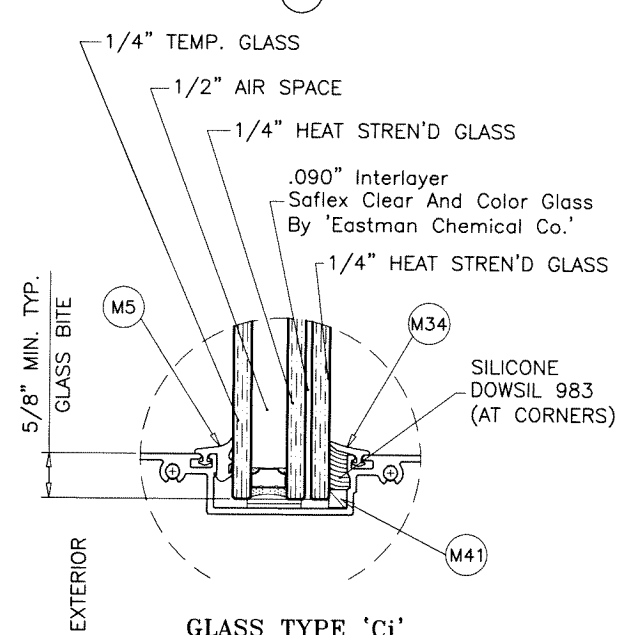
GLAZING OPTIONS (LEVEL 'D' IMPACT)

DOOR LEAF



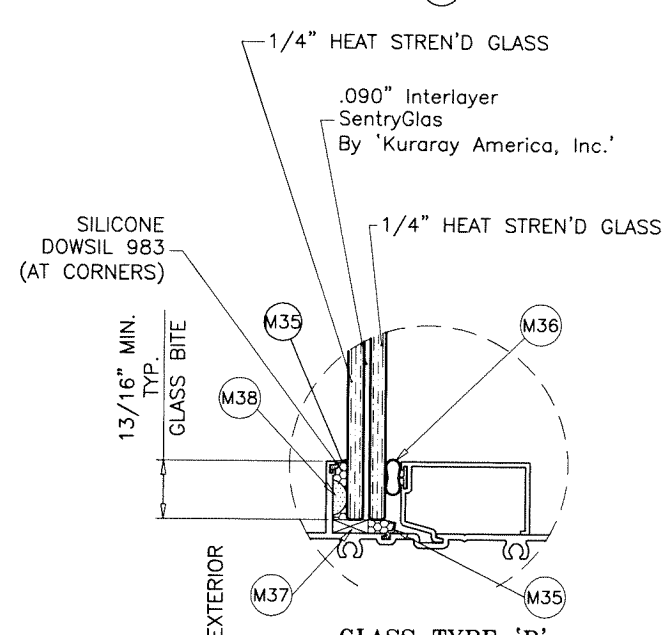
GLASS TYPE 'A'

9/16" OVERALL LAM. GLASS



GLASS TYPE 'Ci'

1-5/16" OVERALL INSUL. LAM. GLASS

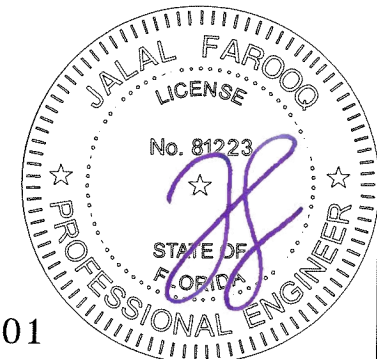


GLASS TYPE 'B'

9/16" OVERALL LAM. GLASS

3/8" & 1/2" AIR SPACE CONSISTING OF:
SPACER:
 'HELIMA' LOW PROFILE ALUMINUM SPACER
 BY 'LINGERMANN GMBH'
 AROUND THE PERIMETER OF THE GLASS.
PERIMETER SEALANT:
 SILICONE
 DOWSIL 791
 GE 2000

Sealed: 8/1/2023



GLAZING OPTIONS (LEVEL 'D' IMPACT)

TRANSOM (ES-9500)

GLAZING DETAIL (LEVEL 'D' IMPACT)

TRANSOM (ES-8000)

FL #27001

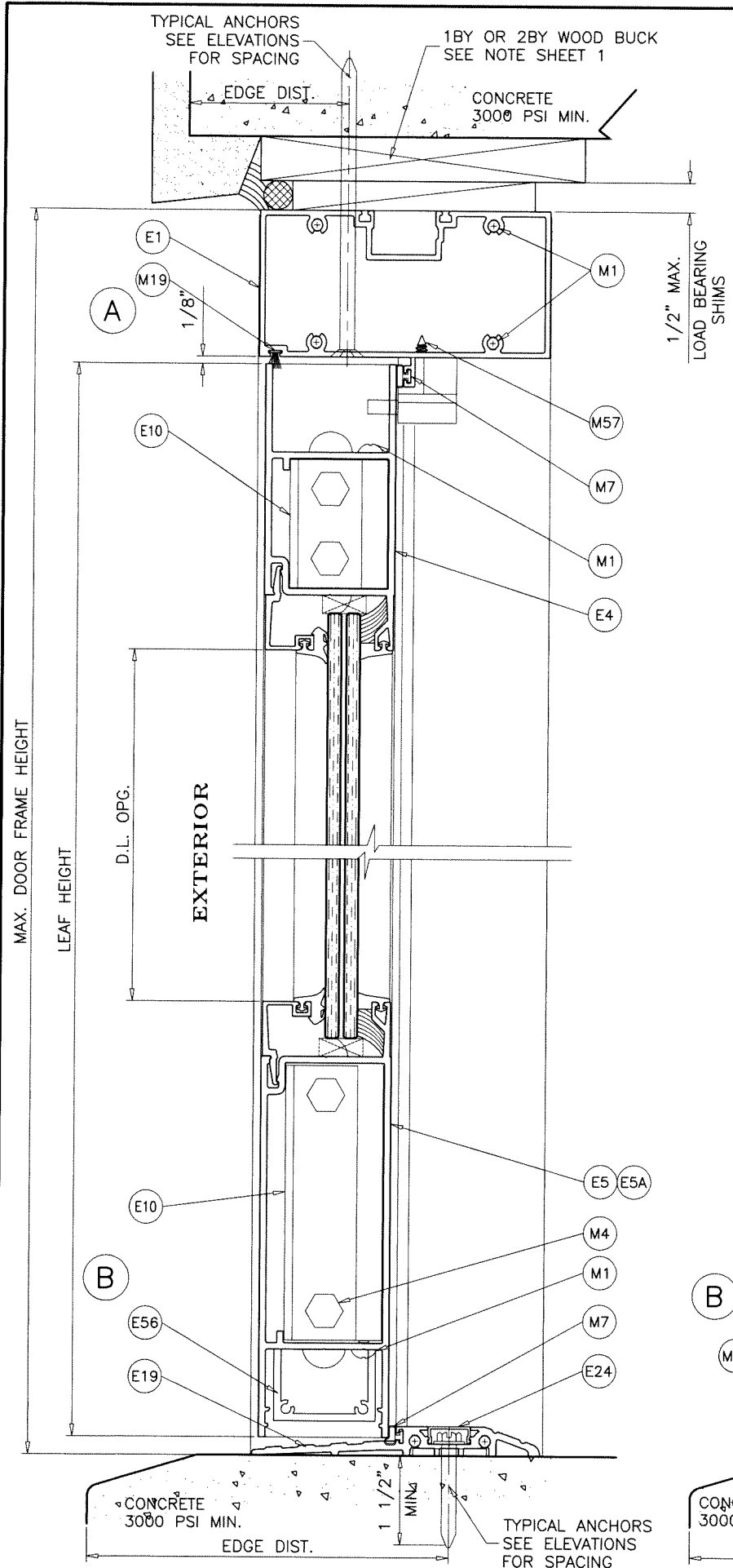
afc

AL-FAROOQ CORPORATION
 ENGINEERS & PRODUCT DEVELOPMENT
 9360 SUNSET DRIVE, SUITE 220
 MIAMI, FLORIDA 33173 (C.A.N. 3538)
 TEL. (305) 264-8100 FAX. (305) 262-6978
 COMP-ANL\20-51F-MG

SERIES MG500-10 ALUM OUTSWING FRENCH DOOR (L.M.I.)
MR-GLASS DOORS & WINDOWS MANUFACTURING, LLC
 8051 N.W. 79th Place
 Medley, FL. 33166
 Tel. (305) 764-3963 Fax. (305) 470-8285

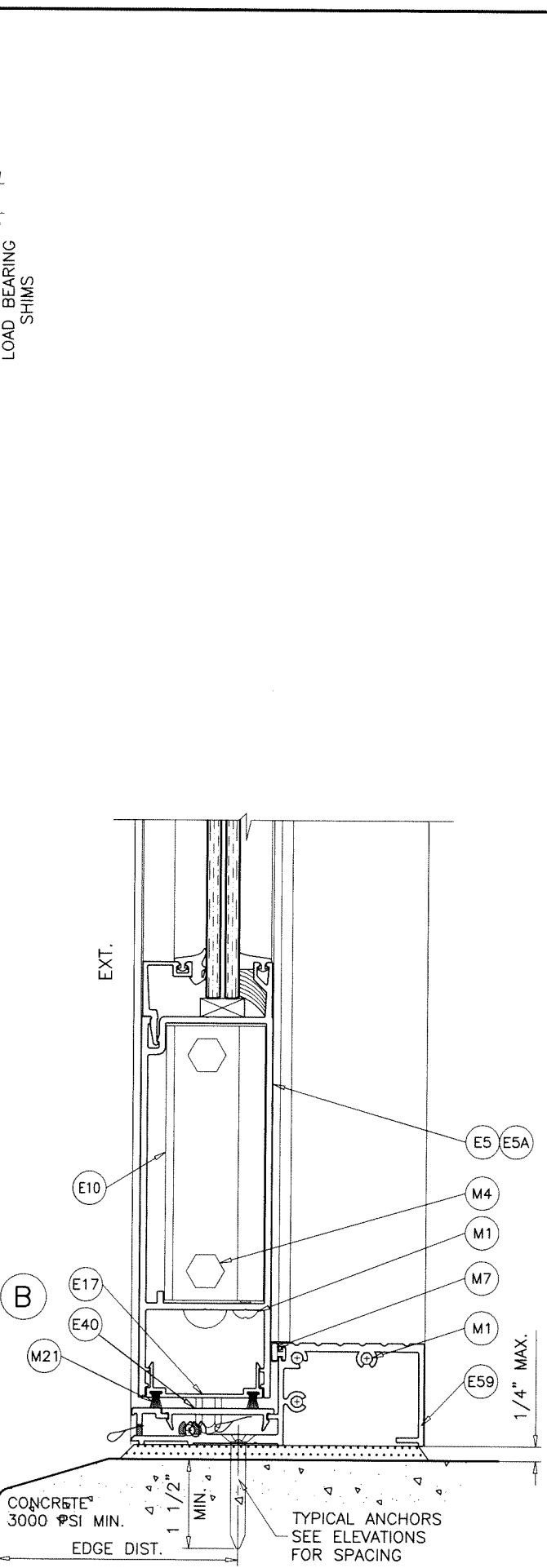
revisions:	
no	date by description

date: 06-08-20	scale: 3/8" = 1"	dr. by: TARIQ	chk. by:
drawing no. 20-51F		sheet 5 of 21	



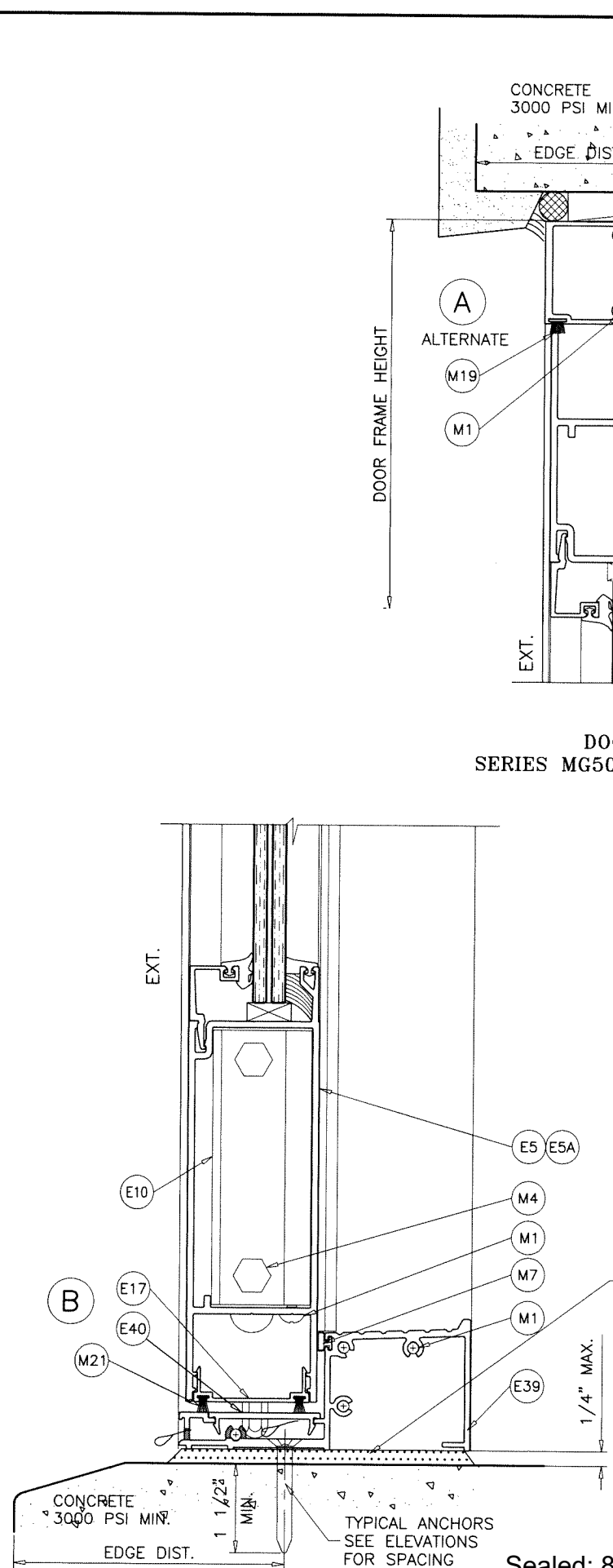
STANDARD THRESHOLD

NOT APPROVED FOR WATER INFILTRATION RESISTANCE



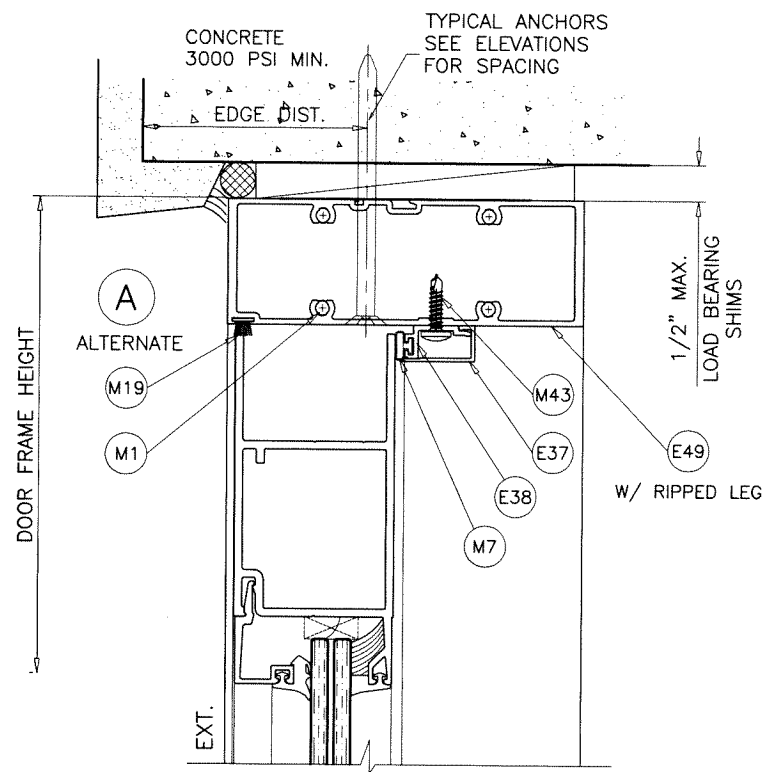
MEDIUM THRESHOLD

NOT APPROVED FOR WATER INFILTRATION RESISTANCE



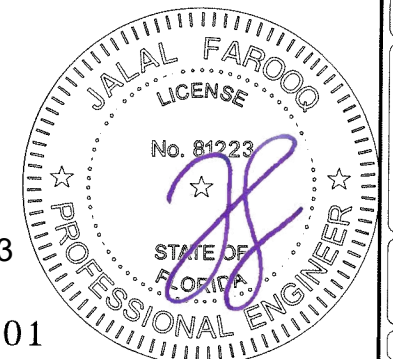
HIGH THRESHOLD

APPROVED FOR WATER INFILTRATION RESISTANCE



**DOOR HEAD
SERIES MG5000 FRAME OPTION**

HIGH STRENGTH GROUT
POURED & HARDENED
f'c = 5000 PSI MIN.
NOT BY 'MR. GLASS'
MUST TRANSFER SHEAR
LOADS TO STRUCTURE



Sealed: 8/1/2023

FL #27001

afc

AL-FAROOQ CORPORATION
ENGINEERS & PRODUCT DEVELOPMENT
9360 SUNSET DRIVE, SUITE 220
MIAMI, FLORIDA 33173 (C.A.N. 3538)
TEL. (305) 264-8100 FAX. (305) 262-6978
COMP-ANL\20-51F-MG

SERIES MG500-10 ALUM OUTSWING FRENCH DOOR (L.M.I.)
MR-GLASS DOORS & WINDOWS MANUFACTURING, LLC
8051 N.W. 79th Place
Medley, FL. 33166
Tel. (305) 764-3963 Fax. (305) 470-8285

revisions:	
no	date by description

date: 06-08-20
scale: 3/8" = 1"
dr. by: TARIQ
chk. by:

drawing no.
20-51F

sheet 6 of 21

1X OR 2X WOOD BUCKS AND METAL STRUCTURES NOT BY 'MR. GLASS' MUST SUPPORT LOADS IMPOSED BY GLAZING SYSTEM AND TRANSFER THEM TO THE BUILDING STRUCTURE.

TYPICAL ANCHORS: SEE ELEV. FOR SPACING

TYPE 'A' - 1/4" DIA. ULTRACON+ BY 'DEWALT' (Fu=164 KSI, Fy=148 KSI)
 THRU 1BY OR 2BY WOOD BUCKS INTO CONCRETE OR BLOCKS
 1-1/4" MIN. EMBED INTO CONCRETE (HEAD/JAMBS)
 1-1/4" MIN. EMBED INTO BLOCKS (THRU 2BY BUCKS) (JAMBS)
 1-3/4" MIN. EMBED INTO GROUT FILLED BLOCKS (THRU 1BY BUCKS) (JAMBS)
 DIRECTLY INTO CONCRETE OR BLOCKS
 2" MIN. EMBED INTO CONCRETE (HEAD/JAMBS)
 2" MIN. EMBED INTO GROUT FILLED BLOCKS (JAMBS)

ANCHOR EDGE DISTANCES

INTO CONCRETE AND BLOCKS = 2-1/2" MIN.
 INTO WOOD STRUCTURE = 1" MIN.

TYPE 'C' - 5/16" DIA. ULTRACON BY 'DEWALT' (Fu=177 KSI, Fy=155 KSI)
 THRU 1BY OR 2BY WOOD BUCKS INTO CONCRETE OR BLOCKS
 1-1/4" MIN. EMBED INTO CONCRETE (HEAD/JAMBS)
 1-1/4" MIN. EMBED INTO BLOCKS (THRU 2BY BUCKS) (JAMBS)
 1-3/4" MIN. EMBED INTO GROUT FILLED BLOCKS (THRU 1BY BUCKS) (JAMBS)
 DIRECTLY INTO CONCRETE OR BLOCKS
 2" MIN. EMBED INTO CONCRETE (HEAD/JAMBS)
 2" MIN. EMBED INTO GROUT FILLED BLOCKS (JAMBS)

ANCHOR EDGE DISTANCES

INTO CONCRETE AND BLOCKS = 3-1/8" MIN.
 INTO WOOD STRUCTURE = 1-1/4" MIN.

TYPE 'D' - 1/4" TEKS OR SELF DRILLING SCREWS (GRADE 5 CRS)
 INTO F.B.C. APPROVED MULLIONS
 OR
 INTO METAL STRUCTURES (HEAD/JAMBS)
 (3) THREADS MIN. PENETRATION BEYOND SUBSTRATE
 ALUMINUM: 1/8" THK. MIN. (6063-T5 MIN.)
 STEEL: 1/8" THK. MIN. (Fy = 36 KSI MIN.)
 (STEEL IN CONTACT WITH ALUMINUM TO BE PLATED OR PAINTED)

ANCHOR EDGE DISTANCES

INTO METAL STRUCTURE = 1/2" MIN.

TYPE 'A1' - 1/4" X 1-3/4" ULTRACON+ BY 'DEWALT' (Fu=164 KSI, Fy=148 KSI)
 DIRECTLY INTO CONCRETE (FOR STD. AND HIGH THRESHOLD)
 WITH 1-1/2" MIN. EMBED INTO CONCRETE

ANCHOR EDGE DISTANCES

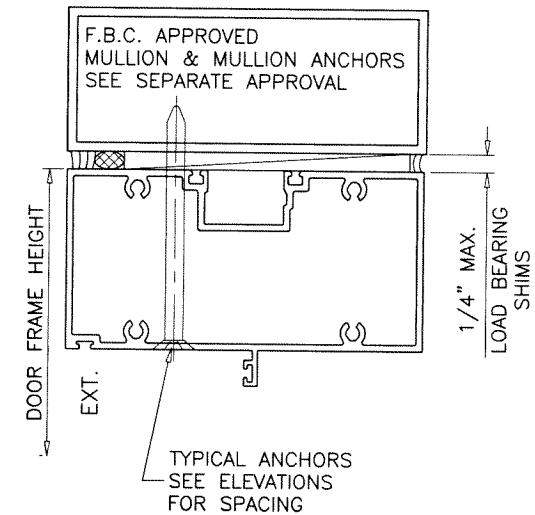
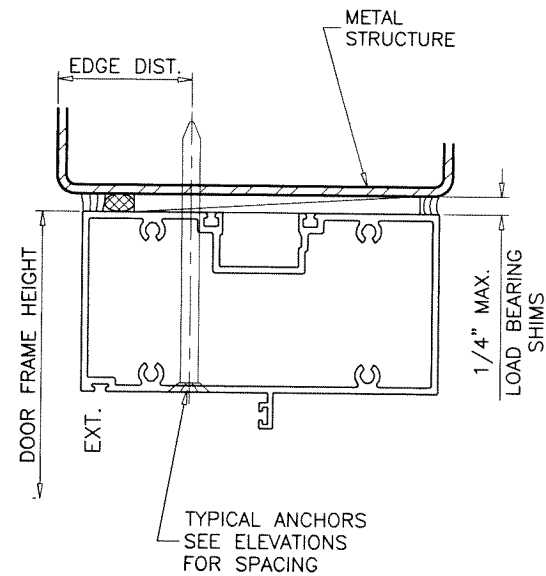
INTO CONCRETE = 2-1/2" MIN.

TYPE 'C1' - 5/16" X 2" ULTRACON BY 'DEWALT' (Fu=177 KSI, Fy=155 KSI)
 DIRECTLY INTO CONCRETE (FOR SADDLE THRESHOLD)
 WITH 1-1/2" MIN. EMBED INTO CONCRETE

ANCHOR EDGE DISTANCES

INTO CONCRETE = 3-1/8" MIN.

WOOD AT HEAD OR JAMBS SG = 0.55 MIN.
 CONCRETE AT HEAD, SILL OR JAMBS f'c = 3000 PSI MIN.
 C-90 GROUT FILLED BLOCK AT JAMBS f'm = 2000 PSI MIN.



AT HEAD OR JAMBS

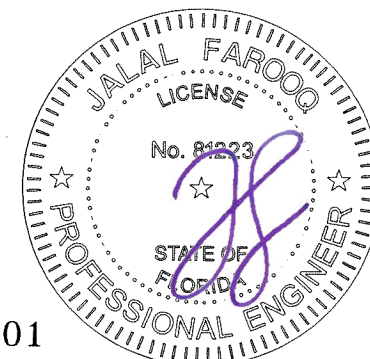
AT HEAD OR JAMBS

AT HEAD OR JAMBS

AT SILL

AT SILL

Sealed: 8/1/2023



FL #27001

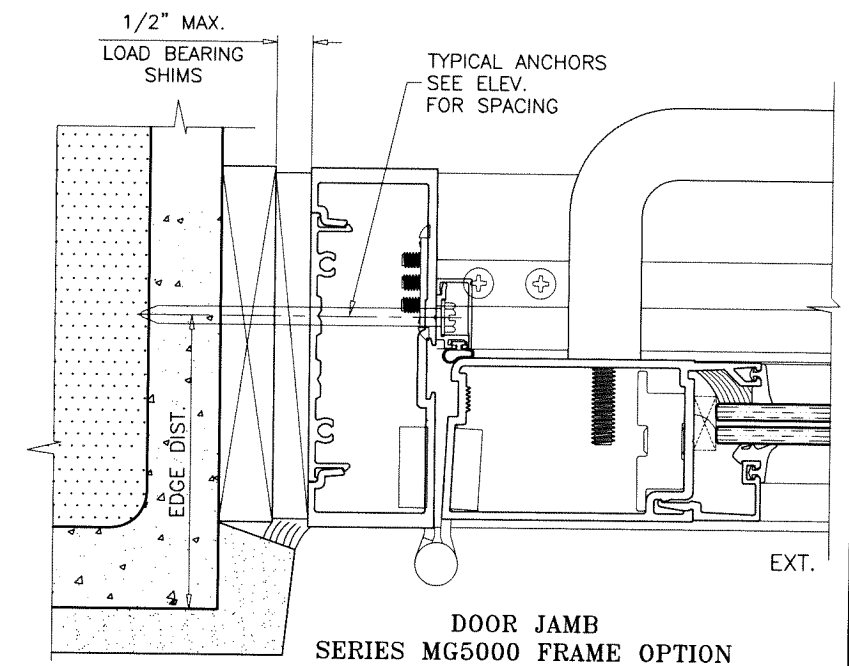
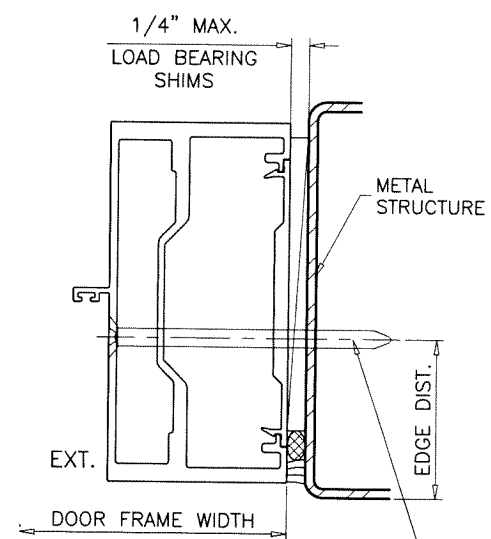
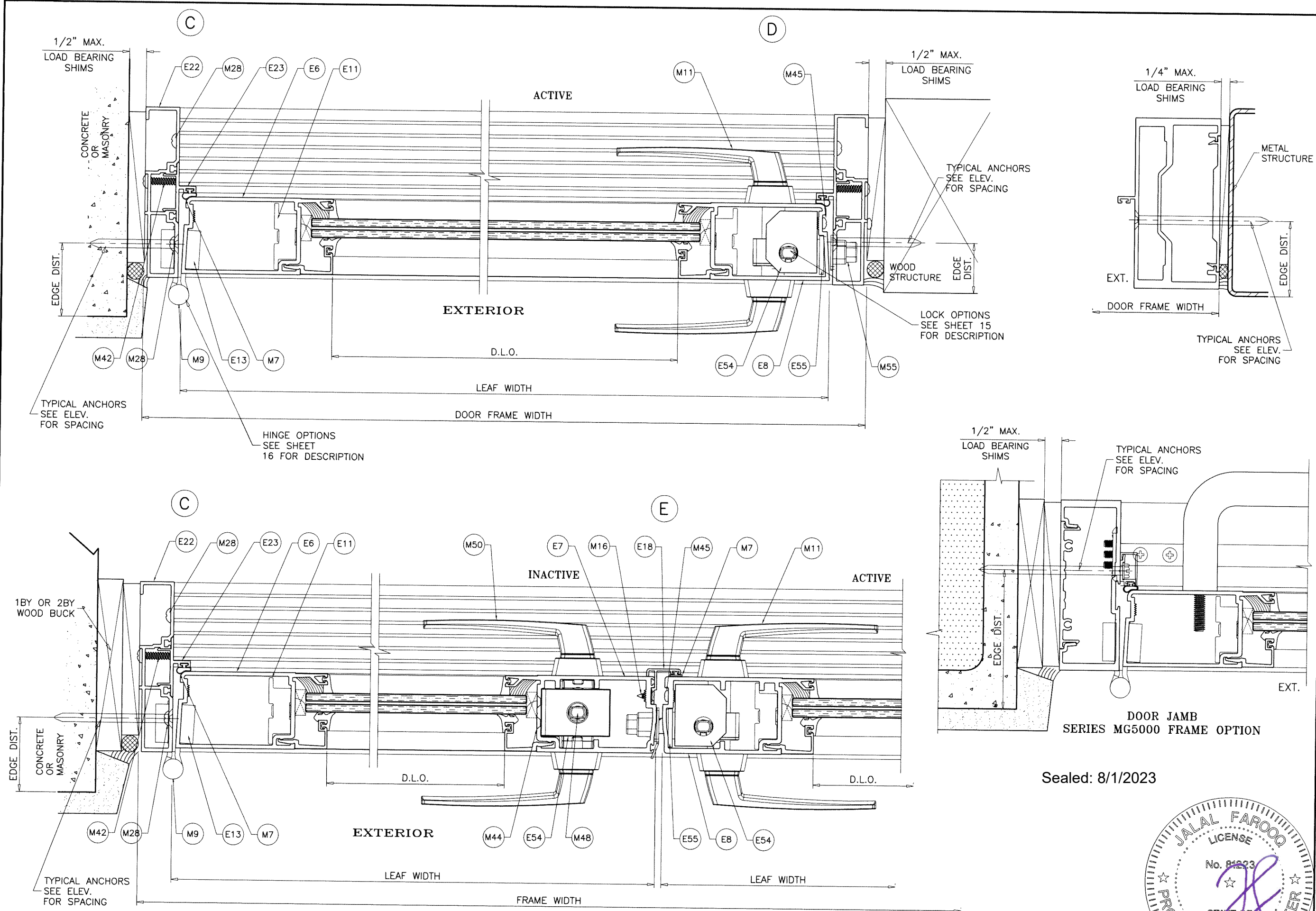
af c
AL-FAROOQ CORPORATION
 ENGINEERS & PRODUCT DEVELOPMENT
 9360 SUNSET DRIVE, SUITE 220
 MIAMI, FLORIDA 33173 (C.A.N. 3538)
 TEL. (305) 264-8100 FAX. (305) 262-6978
 COMP-ANL\20-51F-MG

SERIES MG500-10 ALUM OUTSWING FRENCH DOOR (L.M.I.)
MR-GLASS DOORS & WINDOWS MANUFACTURING, LLC
 8051 N.W. 79th Place
 Medley, FL. 33166
 Tel. (305) 764-3963 Fax. (305) 470-8285

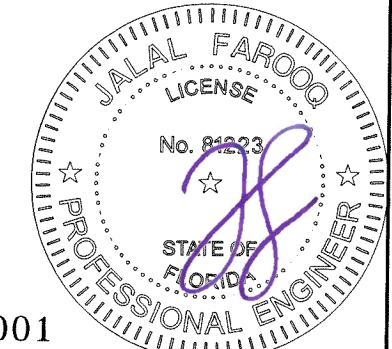
revisions:	no	date	by	description

date: 06-08-20
 scale: 3/8" = 1"
 dr. by: TARIQ
 chk. by:

drawing no.
20-51F
 sheet 7 of 21



Sealed: 8/1/2023

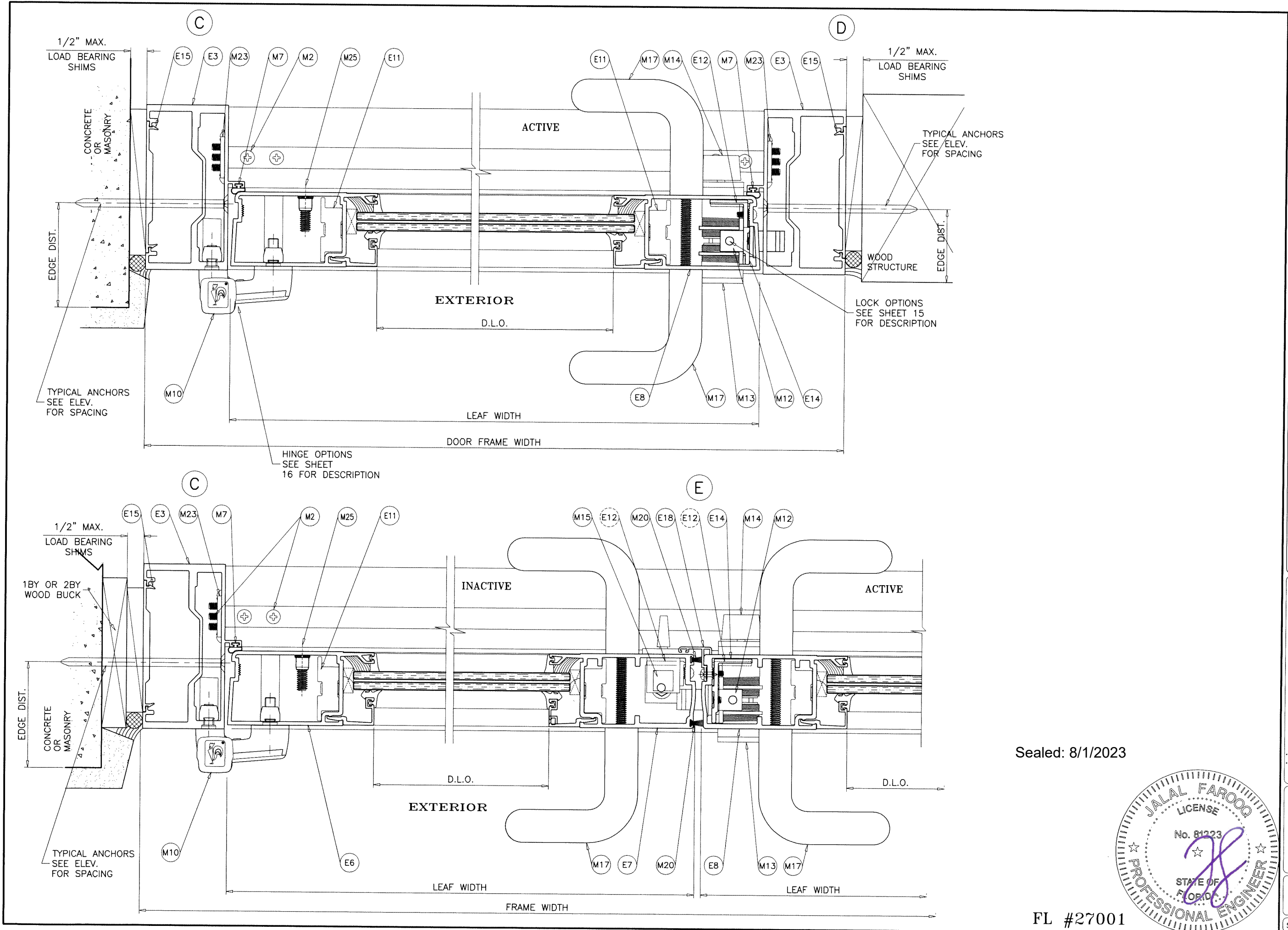


FL #27001

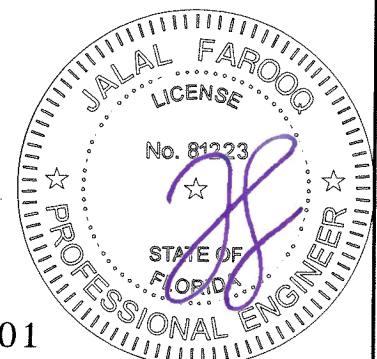
afc
AL-FAROOQ CORPORATION
 ENGINEERS & PRODUCT DEVELOPMENT
 9360 SUNSET DRIVE, SUITE 220
 MIAMI, FLORIDA 33173 (C.A.N. 3538)
 TEL. (305) 264-8100 FAX. (305) 262-6978
 COMP-ANL\20-51F-MG

SERIES MG500-10 ALUM OUTSWING FRENCH DOOR (L.M.I.)
MR-GLASS DOORS & WINDOWS MANUFACTURING, LLC
 8051 N.W. 79th Place
 Medley, FL. 33166
 Tel. (305) 764-3963 Fax. (305) 470-8285

revisions:	no	date	by	description
date:	06-08-20	scale:	3/8" = 1"	
dr. by:	TARIQ	chk. by:		
drawing no.	20-51F			
sheet	8 of 21			



Sealed: 8/1/2023



FL #27001

afc
AL-FAROOQ CORPORATION
 ENGINEERS & PRODUCT DEVELOPMENT
 9360 SUNSET DRIVE, SUITE 220 (C.A.N. 3538)
 MIAMI, FLORIDA 33173
 TEL. (305) 264-8100 FAX. (305) 262-6978
 COMP-ANL\20-51F-MG

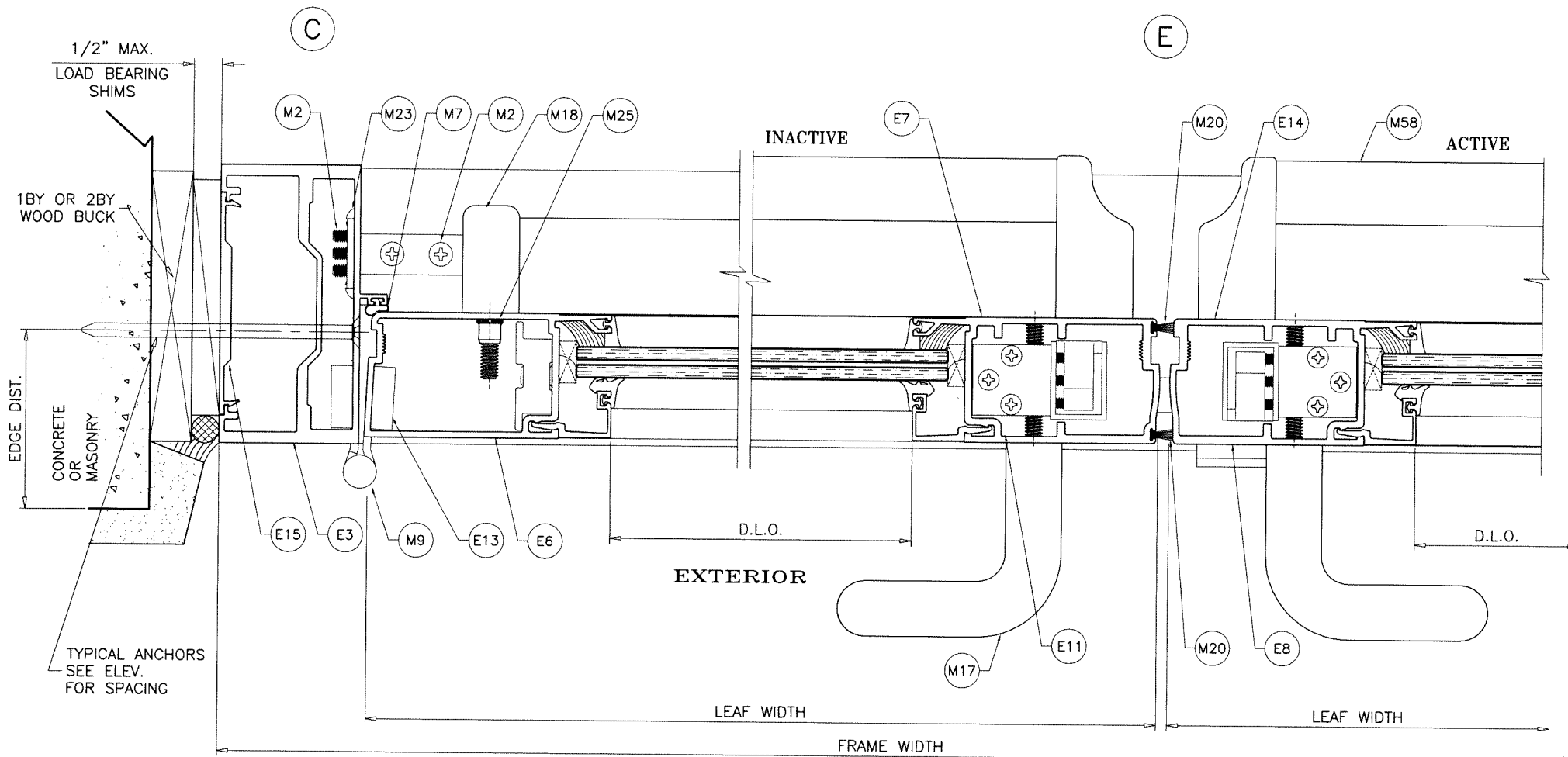
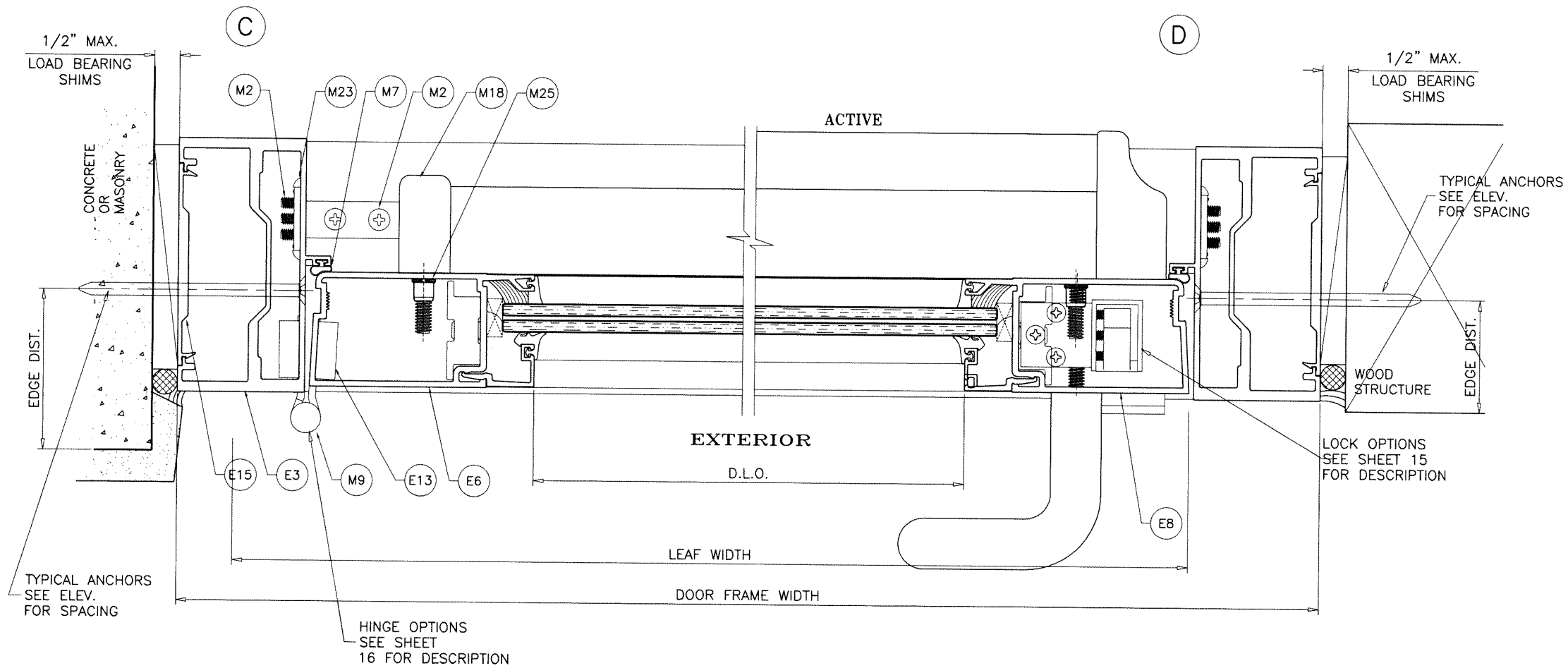
SERIES MG500-10 ALUM OUTSWING FRENCH DOOR (L.M.I.)
MR-GLASS DOORS & WINDOWS MANUFACTURING, LLC
 8051 N.W. 79th Place
 Medley, FL. 33166
 Tel. (305) 764-3963 Fax. (305) 470-8285

revisions:	no	date	by	description

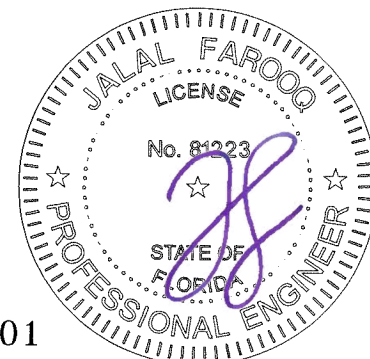
date: 06-08-20
 scale: 3/8" = 1"
 dr. by: TARIQ
 chk. by:

drawing no.
20-51F

sheet 9 of 21



Sealed: 8/1/2023



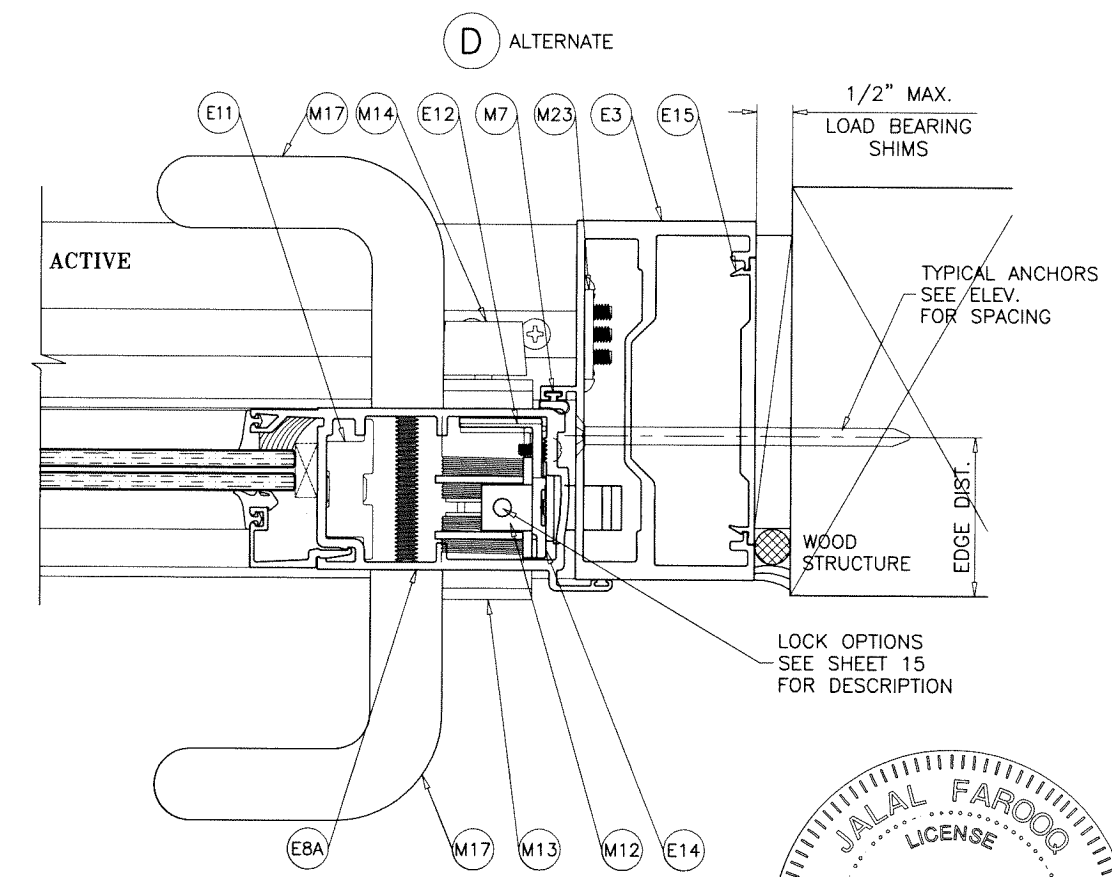
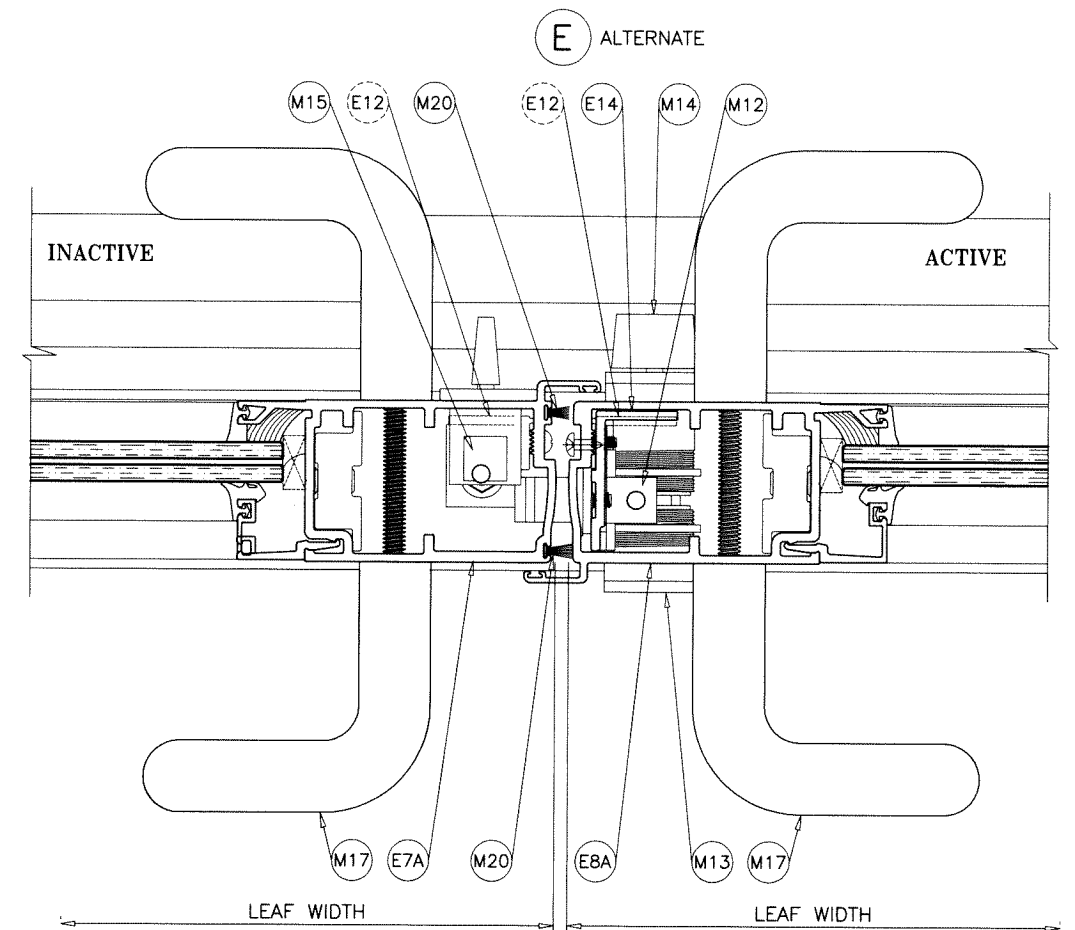
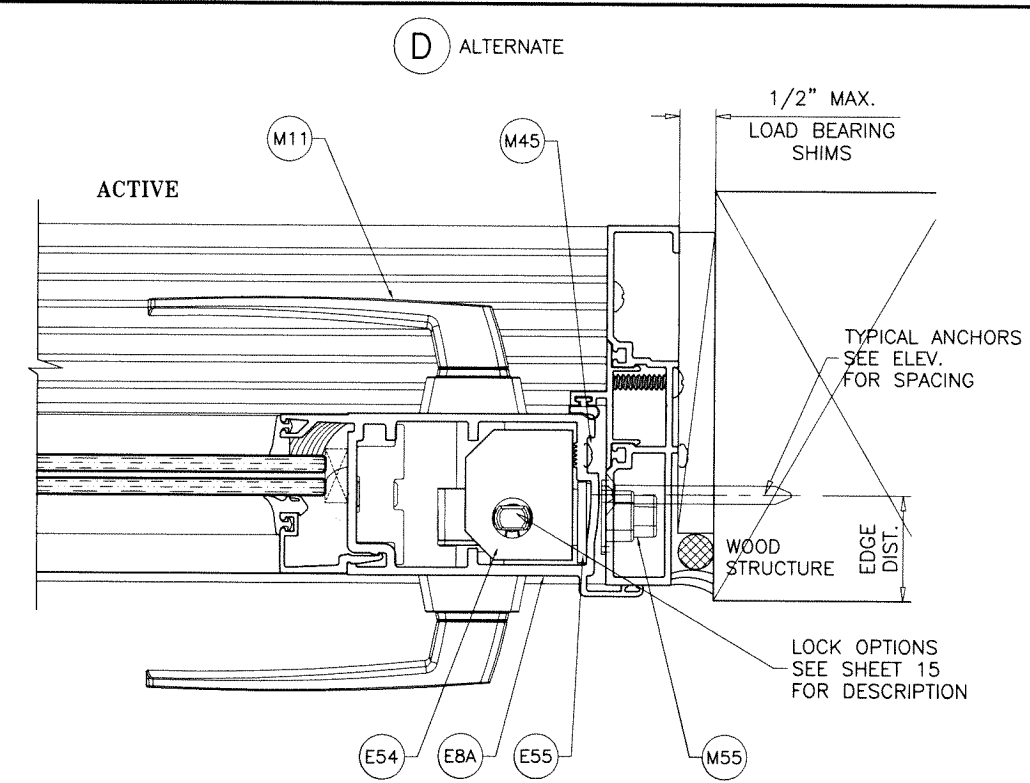
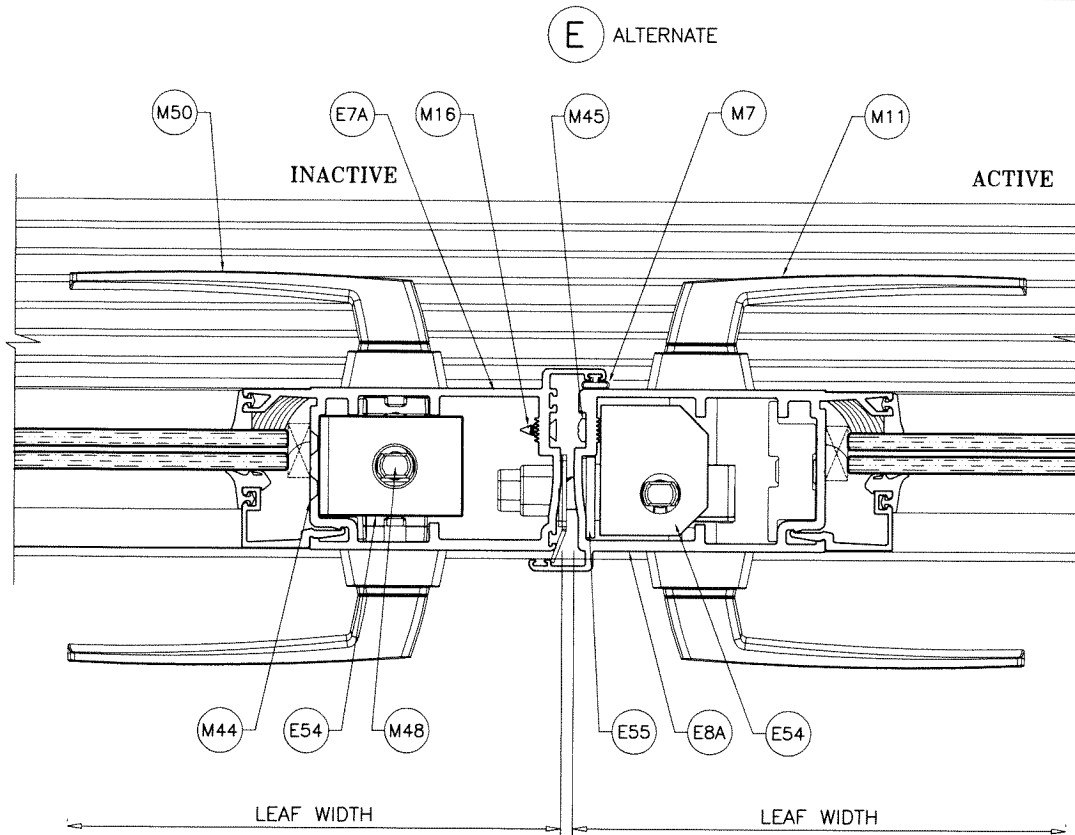
FL #27001

afc
AL-FAROOQ CORPORATION
 ENGINEERS & PRODUCT DEVELOPMENT
 9360 SUNSET DRIVE, SUITE 220
 MIAMI, FLORIDA 33173 (C.A.N. 3538)
 TEL. (305) 264-8100 FAX. (305) 262-6978
 COMP-ANL\20-51F-MG

SERIES MG500-10 ALUM OUTSWING FRENCH DOOR (L.M.I.)
MR-GLASS DOORS & WINDOWS MANUFACTURING, LLC
 8051 N.W. 79th Place
 Medley, FL. 33166
 Tel. (305) 764-3963 Fax. (305) 470-8285

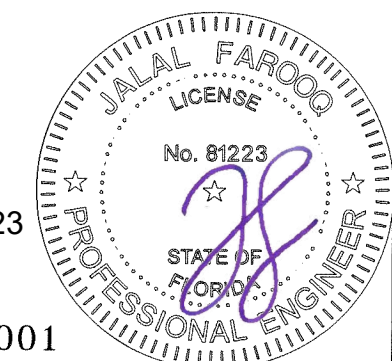
revisions:	no	date	description

date: 06-08-20	scale: 3/8" = 1"	dr. by: TARIQ	chk. by:
drawing no. 20-51F			
sheet 10 of 21			



ALT. MEETING STILES NOT APPROVED FOR DOORS WITH PANIC EXIT DEVICES.

Sealed: 8/1/2023



FL #27001

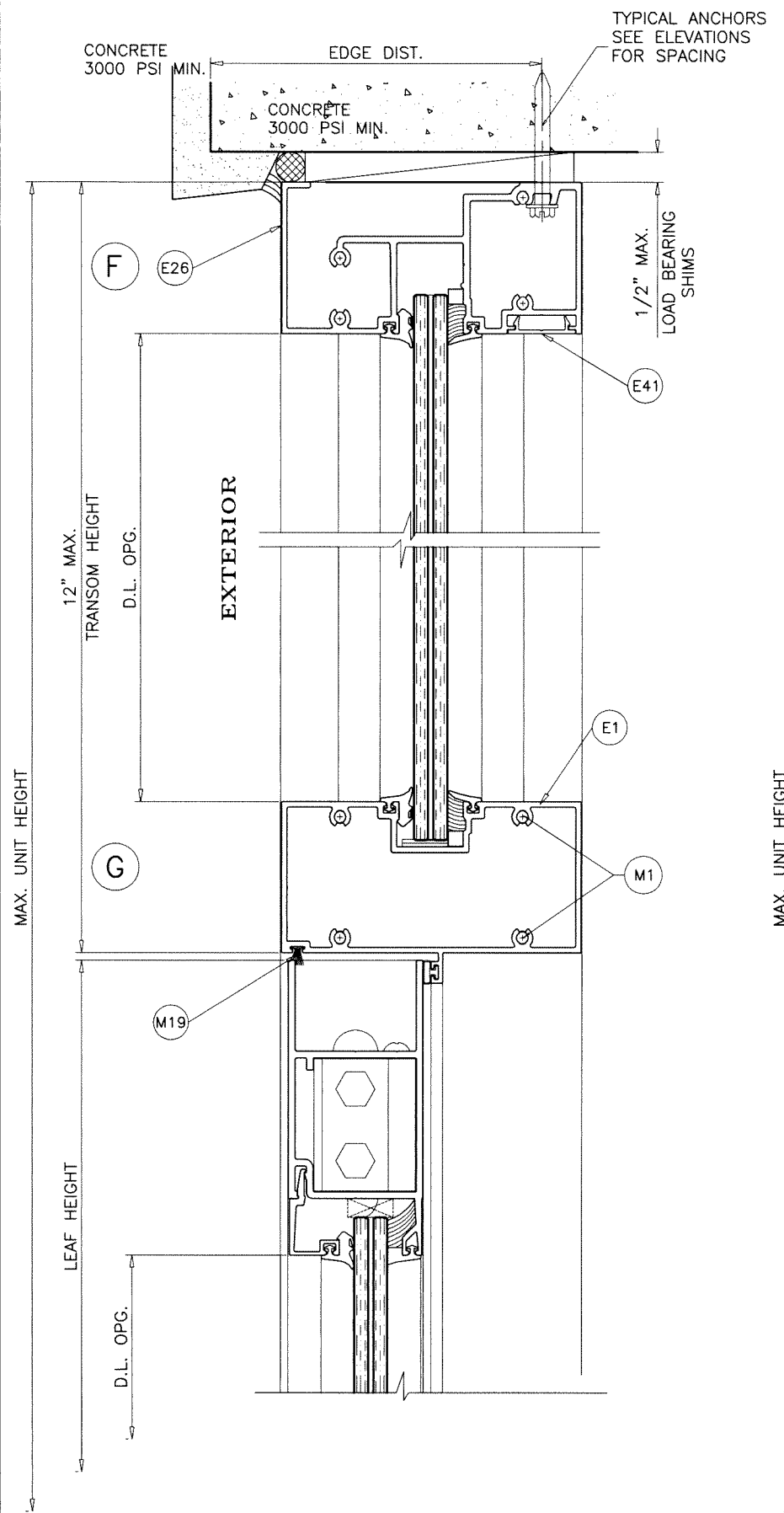
afc
AL-FAROOQ CORPORATION
ENGINEERS & PRODUCT DEVELOPMENT
9360 SUNSET DRIVE, SUITE 220
MIAMI, FLORIDA 33173 (C.A.N. 3538)
TEL. (305) 264-8100 FAX. (305) 262-6978
COMP-ANL\20-51F-MG

SERIES MC500-10 ALUM OUTSWING FRENCH DOOR (L.M.I.)
MR-GLASS DOORS & WINDOWS MANUFACTURING, LLC
8051 N.W. 79th Place
Medley, FL. 33166
Tel. (305) 764-3963 Fax. (305) 470-8285

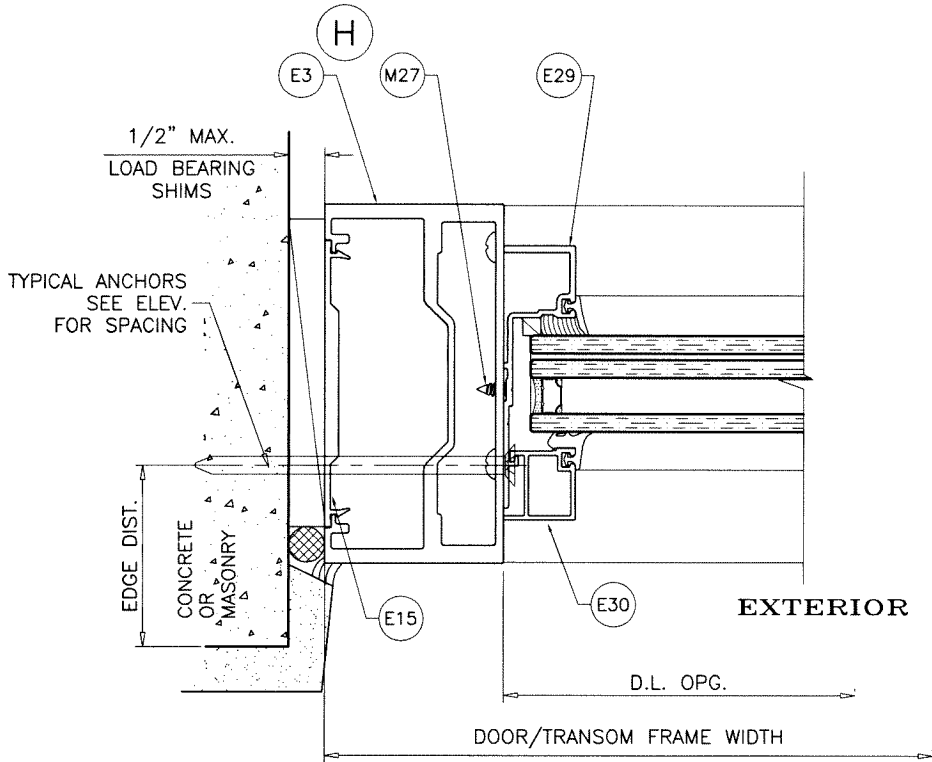
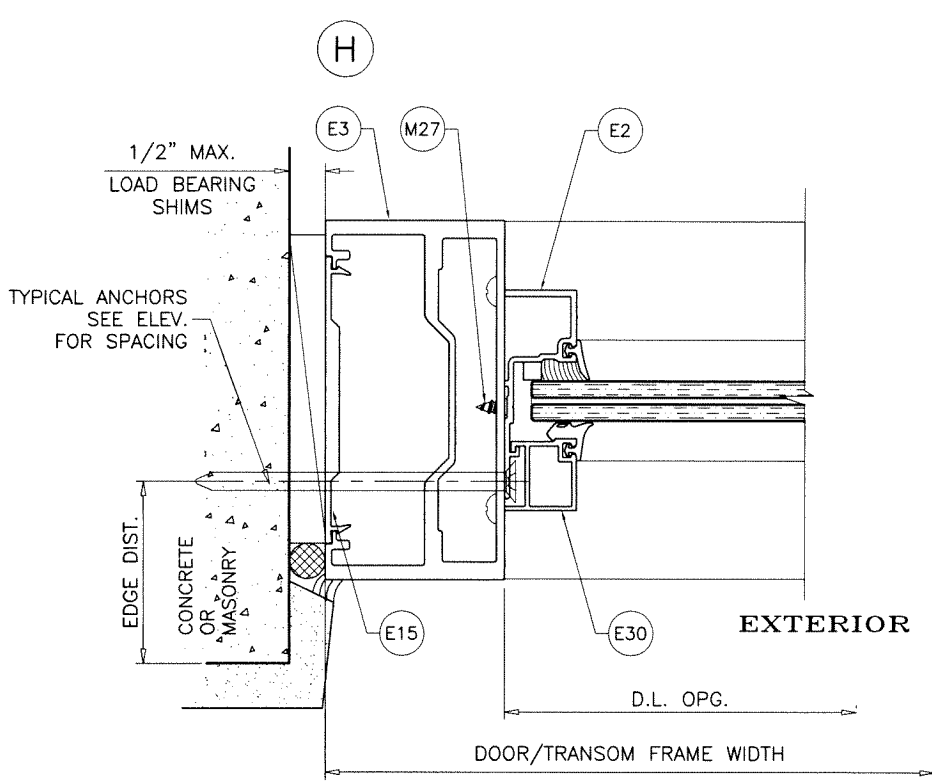
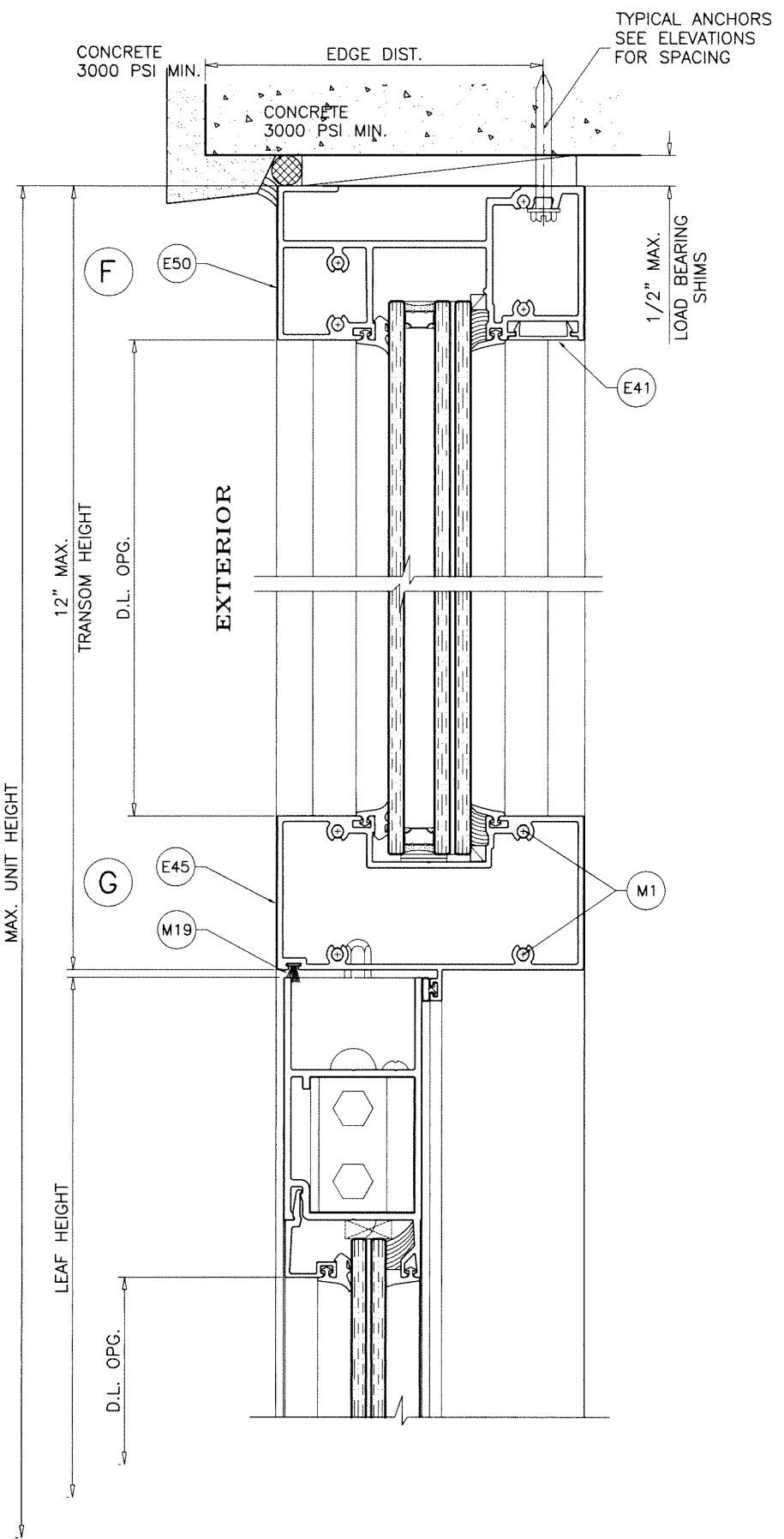
revisions:	no	date	by	description

date: 06-08-20
scale: 3/8" = 1"
dr. by: TARIQ
chk. by:

drawing no.
20-51F
sheet 10.1 of 21



TRANSOM
ES-9500 FRAMES



Sealed: 8/1/2023



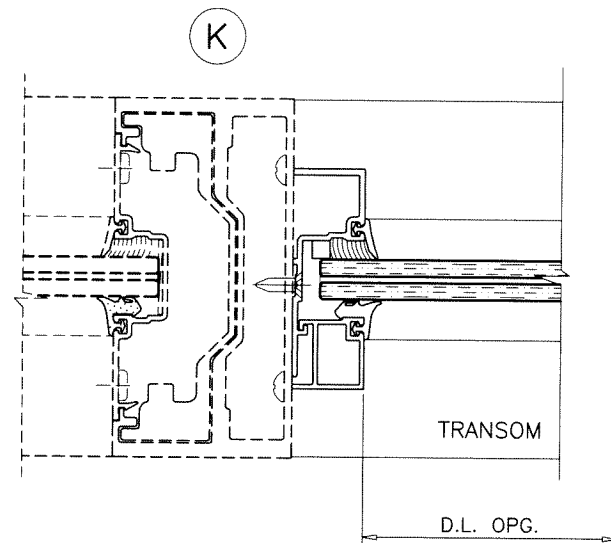
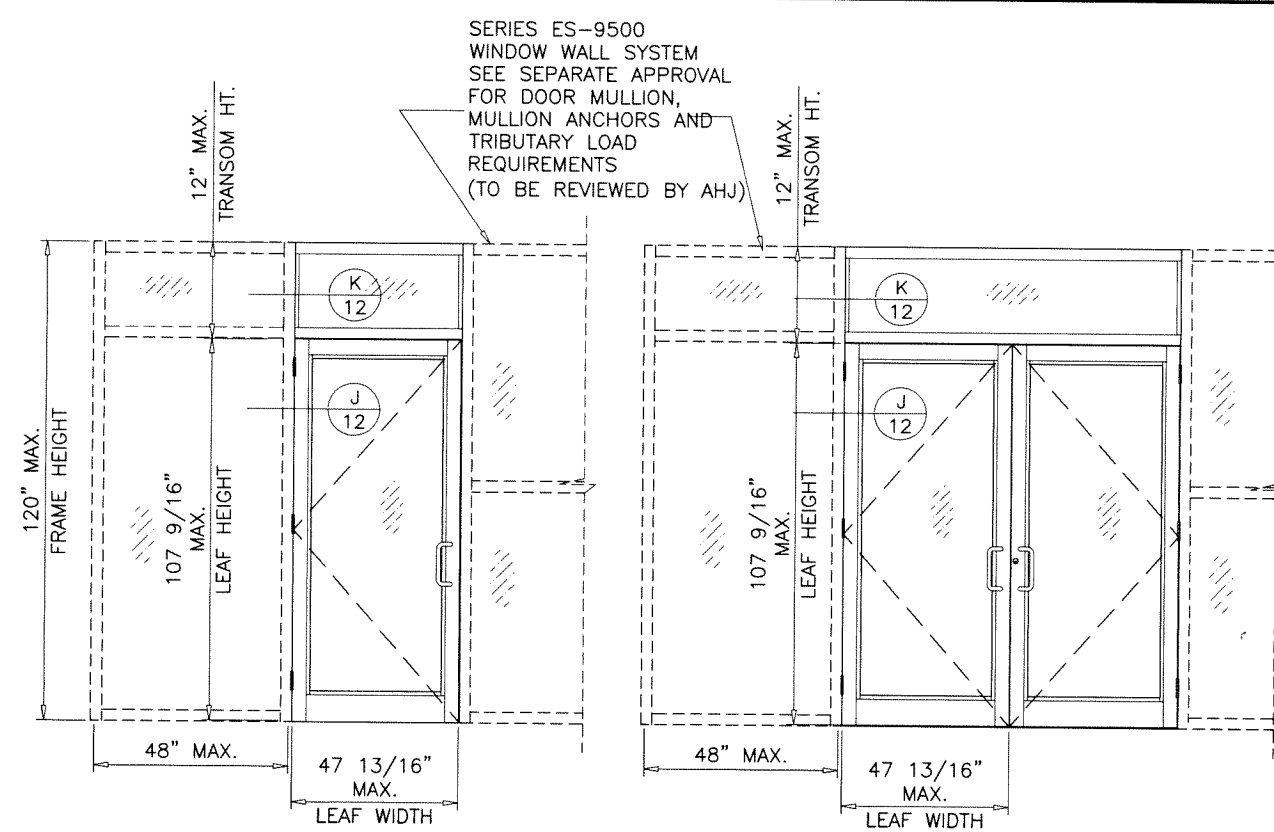
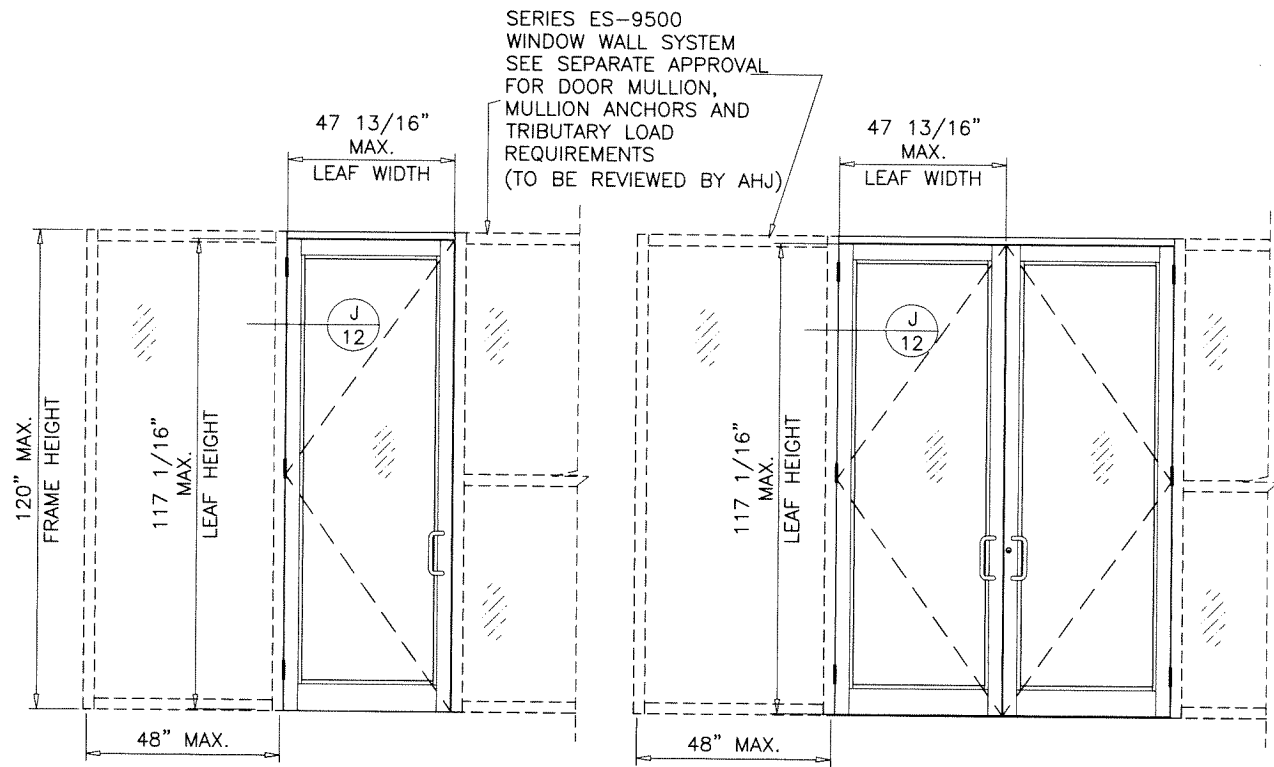
FL #27001

af c
AL-FAROOQ CORPORATION
 ENGINEERS & PRODUCT DEVELOPMENT
 9360 SUNSET DRIVE, SUITE 220 (C.A.N. 3538)
 MIAMI, FLORIDA 33173
 TEL. (305) 264-8100 FAX. (305) 262-6978
 COMP-ANL 20-51F-MC

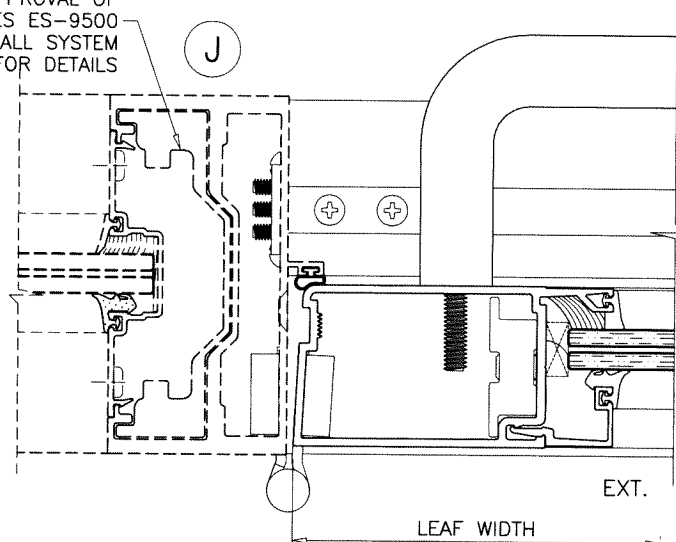
SERIES MC500-10 ALUM OUTSWING FRENCH DOOR (L.M.I.)
MR-GLASS DOORS & WINDOWS MANUFACTURING, LLC
 8051 N.W. 79th Place
 Medley, FL. 33166
 Tel. (305) 764-3963 Fax. (305) 470-8285

revisions:	no	date	by	description

date: 06-08-20	scale: 3/8" = 1"	dr. by: TARIQ	chk. by:
drawing no. 20-51F			
sheet 11 of 21			



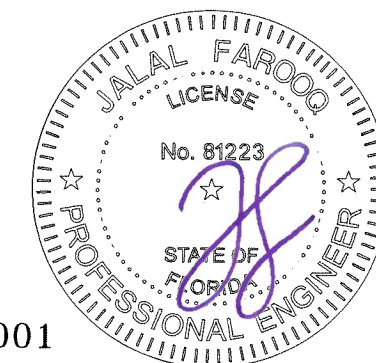
REINFORCING WILL VARY
SEE CURRENT APPROVAL OF
SERIES ES-9500 WINDOW WALL SYSTEM
FOR DETAILS



F.B.C. APPROVED
SERIES ES-9500 WINDOW WALL SYSTEM
UNDER SEPARATE APPROVAL.

LOWER VALUES FROM DOOR CAPACITY CHARTS OR WINDOW WALL APPROVAL WILL APPLY TO ENTIRE SYSTEM.

Sealed: 8/1/2023



FL #27001

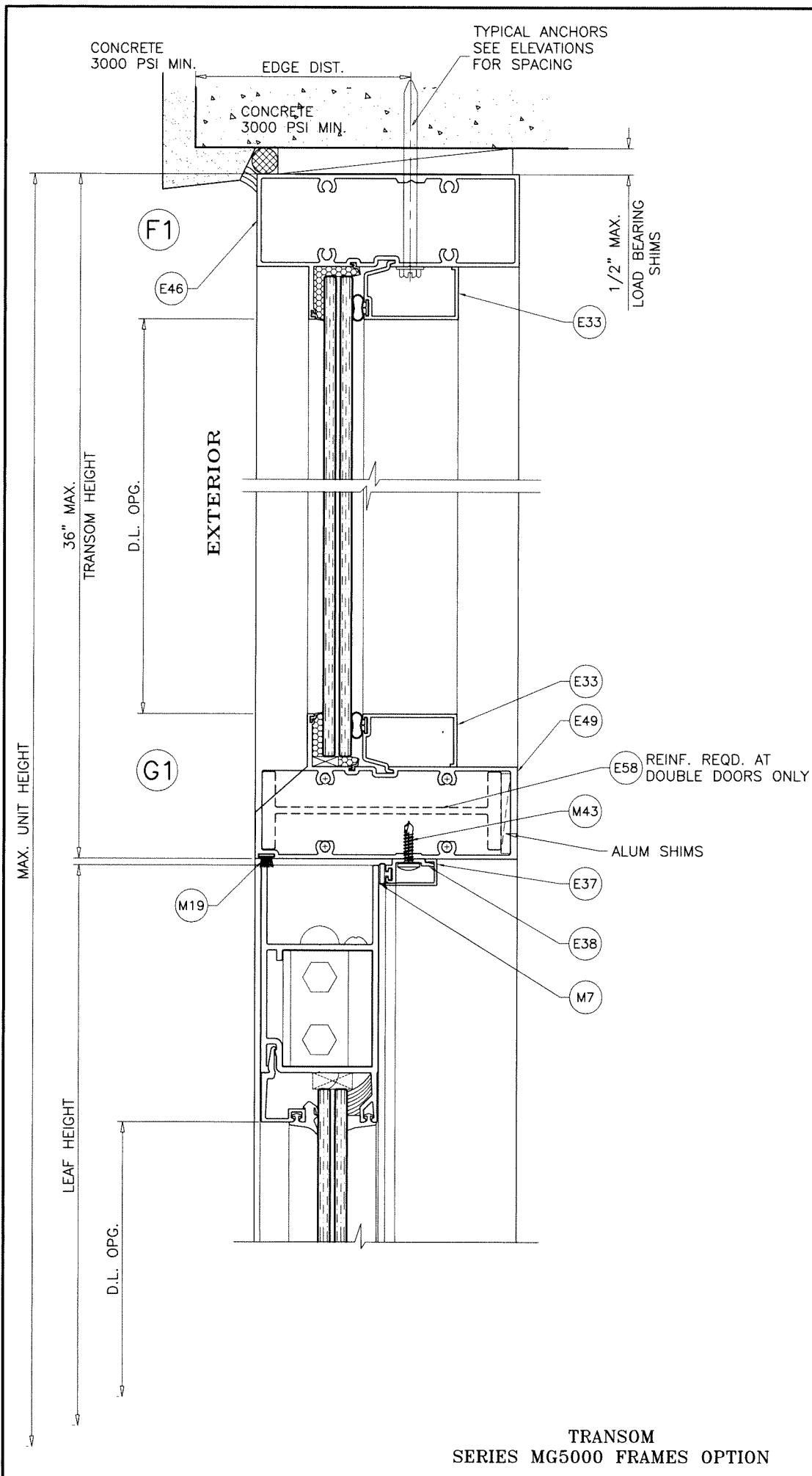
af c
AL-FAROOQ CORPORATION
ENGINEERS & PRODUCT DEVELOPMENT
9360 SUNSET DRIVE, SUITE 220
MIAMI, FLORIDA 33173 (C.A.N. 3538)
TEL. (305) 264-8100 FAX. (305) 262-6978
COMP-ANL 20-51F-MG

SERIES MC500-10 ALUM OUTSWING FRENCH DOOR (L.M.I.)
MR-GLASS DOORS & WINDOWS MANUFACTURING, LLC
8051 N.W. 79th Place
Medley, FL. 33166
Tel. (305) 764-3963 Fax. (305) 470-8285

revisions:	no	date	by	description

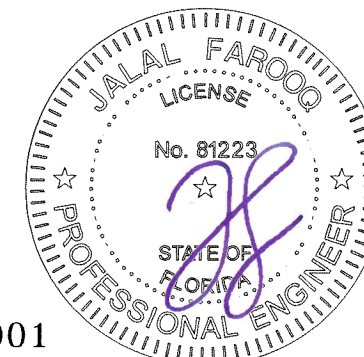
date: 06-08-20
scale: 3/8" = 1"
dr. by: TARIQ
chk. by:

drawing no.
20-51F
sheet 12 of 21



TRANSOM
SERIES MG5000 FRAMES OPTION

Sealed: 8/1/2023



FL #27001

afc

AL-FAROOQ CORPORATION
 ENGINEERS & PRODUCT DEVELOPMENT
 9360 SUNSET DRIVE, SUITE 220
 MIAMI, FLORIDA 33173 (C.A.N. 3538)
 TEL. (305) 264-8100 FAX. (305) 262-6978
 COMP-ANL\20-51F-MG

SERIES MG500-10 ALUM OUTSWING FRENCH DOOR (L.M.I.)
MR-GLASS DOORS & WINDOWS MANUFACTURING, LLC
 8051 N.W. 79th Place
 Medley, FL. 33166
 Tel. (305) 764-3963 Fax. (305) 470-8285

revisions:	
no	date by description

date: 06-08-20
 scale: 3/8" = 1"
 dr. by: TARIQ
 chk. by:

drawing no.
20-51F
 sheet 13 of 21

afc

AL-FAROOQ CORPORATION
 ENGINEERS & PRODUCT DEVELOPMENT
 9360 SUNSET DRIVE, SUITE 220
 MIAMI, FLORIDA 33173 (C.A.N. 3538)
 TEL. (305) 264-8100 FAX. (305) 262-6978
 COMP-ANL\20-51F-MG

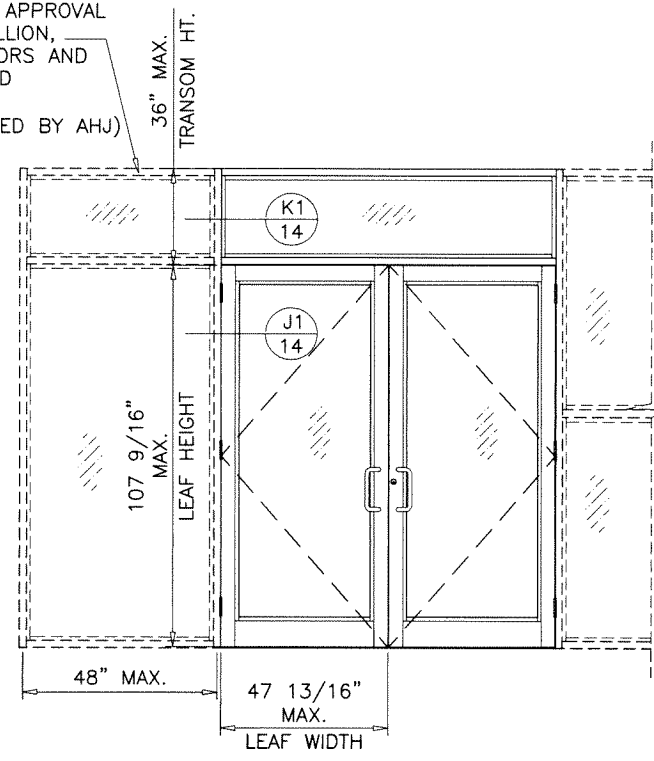
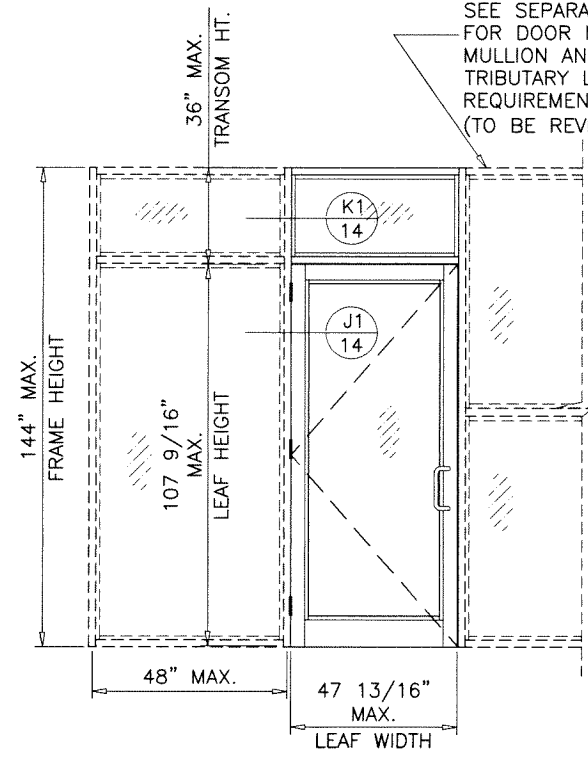
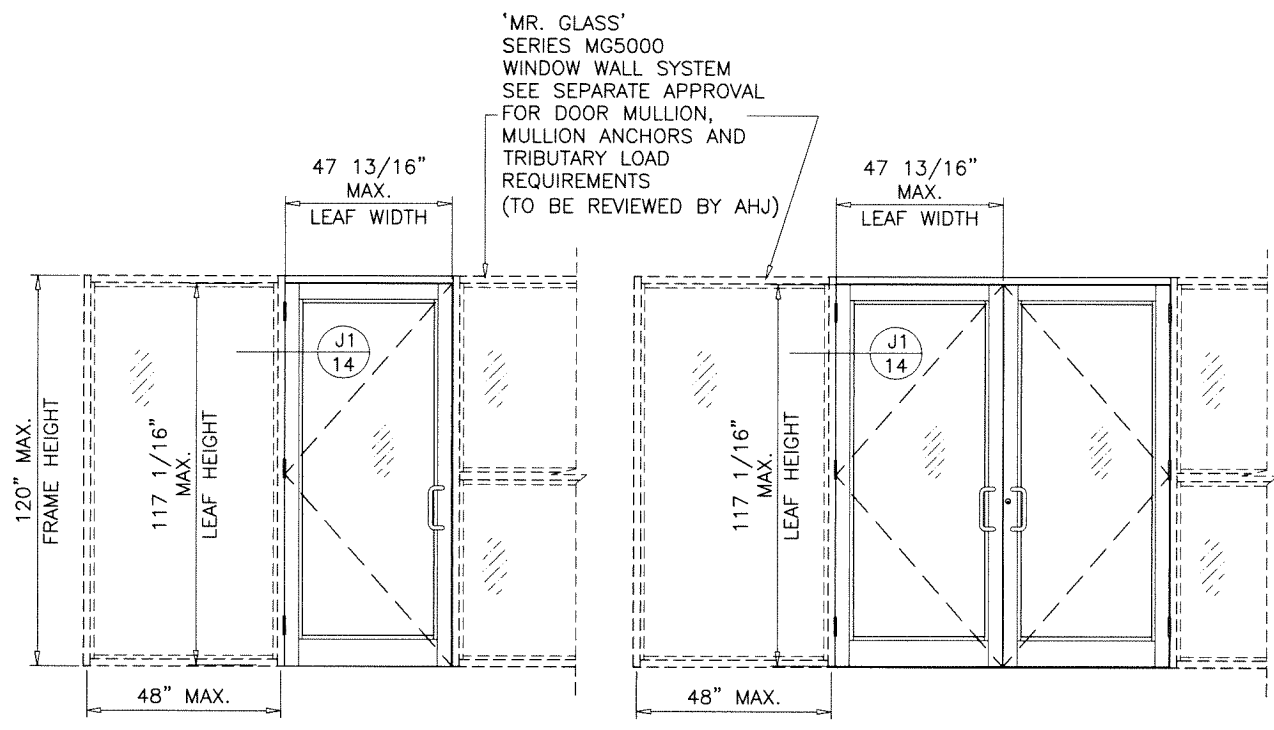
SERIES MG500-10 ALUM OUTSWING FRENCH DOOR (L.M.I.)
MR-GLASS DOORS & WINDOWS MANUFACTURING, LLC
 8051 N.W. 79th Place
 Medley, FL. 33166
 Tel. (305) 764-3963 Fax. (305) 470-8285

no	date	description

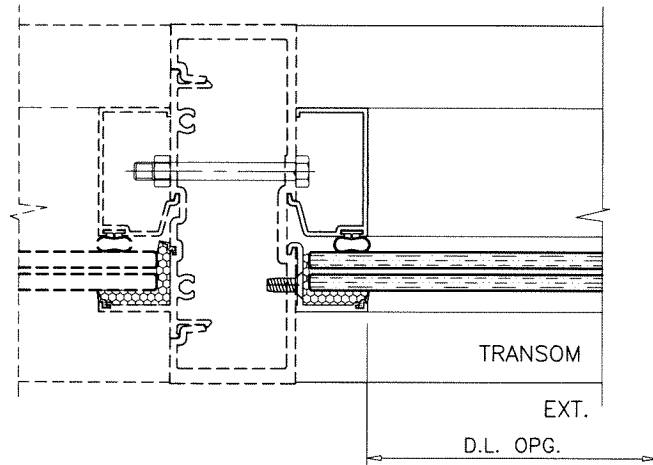
date: 06-08-20
 scale: 3/8" = 1"
 dr. by: TARIQ
 chk. by:

drawing no.
20-51F
 sheet 14 of 21

'MR. GLASS'
 SERIES MG5000
 WINDOW WALL SYSTEM
 SEE SEPARATE APPROVAL
 FOR DOOR MULLION,
 MULLION ANCHORS AND
 TRIBUTARY LOAD
 REQUIREMENTS
 (TO BE REVIEWED BY AHJ)

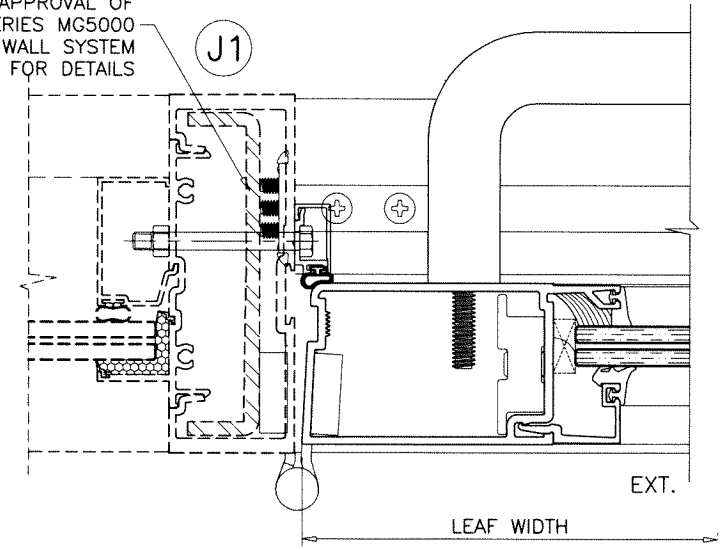


(K1)



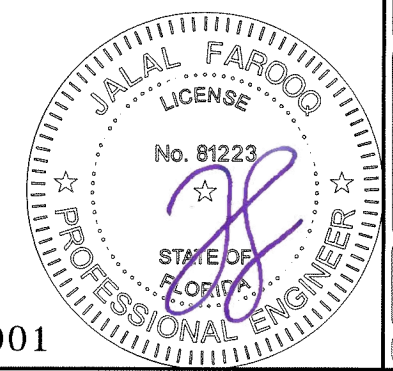
REINFORCING WILL VARY
 SEE CURRENT APPROVAL OF
 SERIES MG5000
 WINDOW WALL SYSTEM
 FOR DETAILS

(J1)



F.B.C. APPROVED
 SERIES MG5000 WINDOW WALL SYSTEM BY 'MR. GLASS'
 UNDER SEPARATE APPROVAL.
 LOWER VALUES FROM DOOR CAPACITY CHARTS OR
 WINDOW WALL APPROVAL WILL APPLY TO ENTIRE SYSTEM.

Sealed: 8/1/2023



FL #27001

LOCK OPTIONS:

3 POINT LOCK

OPTION #1:

MAX. FRAME HEIGHT = 120 IN.
 MAX. LEAF WIDTH = 48 IN.
 MAX. DESIGN LOAD = 90 PSF

ACTIVE LEAF:

KEY OPERATED THREE POINT LOCK SYSTEM 4015/4016 BY 'ADAMS RITE' WITH CONCEALED FLUSH BOLTS AT TOP & BOTTOM OF LOCK STILE AND A THUMB TURN ON THE INTERIOR, LOCATED AT 40" FROM BOTTOM OF PANEL FASTENED WITH
 (2) #12-24 X 1/2" FH MACHINE SCREWS

INACTIVE LEAF:

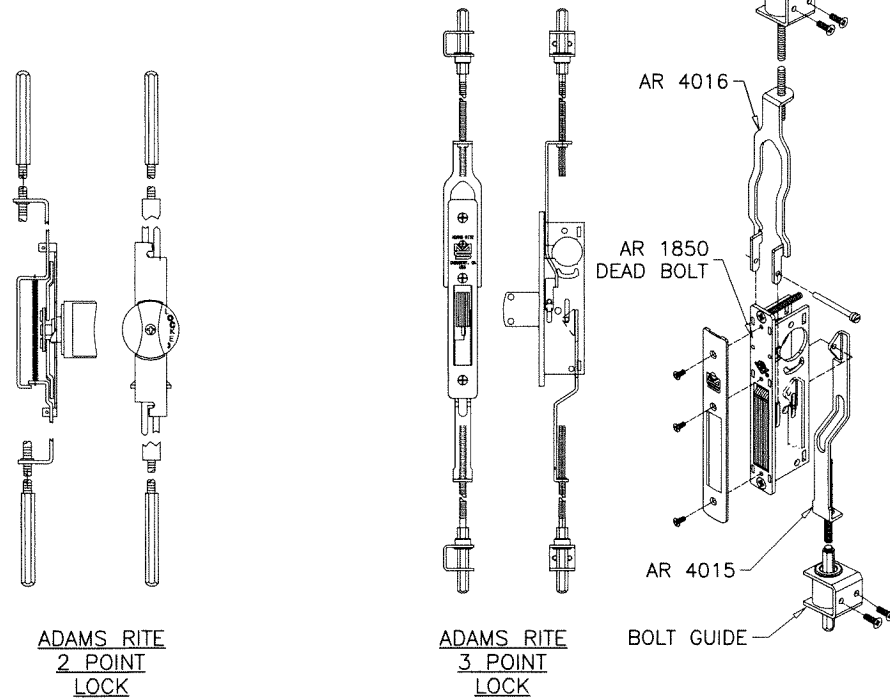
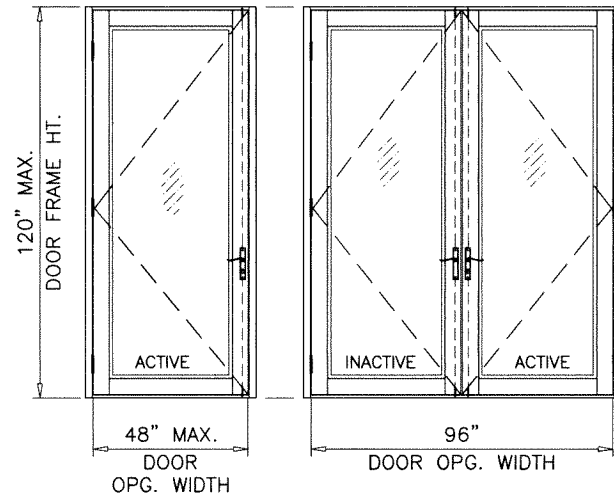
MANUALLY OPERATED TWO POINT LOCK SYSTEM 1880/81 BY 'ADAMS RITE' WITH CONCEALED FLUSH BOLTS AT TOP & BOTTOM OF LOCK STILE AND A THUMB TURN ON THE INTERIOR, LOCATED AT 40" FROM BOTTOM OF PANEL FASTENED WITH
 (2) #8-32 X 1/4" PH MACHINE SCREWS

ACTIVE LEAF:

SURFACE MOUNT 3 POINT MORTISE LOCK SYSTEM BY 'INTERLOCK USA' KEY OPERATED ON EXTERIOR AND THUMB TURN ON INTERIOR LEVER TYPE HANDLE AT 40" FROM BOTTOM ACTIVATES SHOOT BOLTS ENGAGING AT HEAD AND SILL FASTENED WITH
 (2) #10 X 3/4" FH SMS

INACTIVE LEAF:

SURFACE MOUNT 2 POINT LOCK SYSTEM BY 'INTERLOCK USA' LEVER TYPE HANDLE AT 40" FROM BOTTOM ACTIVATES SHOOT BOLTS ENGAGING AT HEAD AND SILL FASTENED WITH
 (2) #10 X 3/4" FH SMS



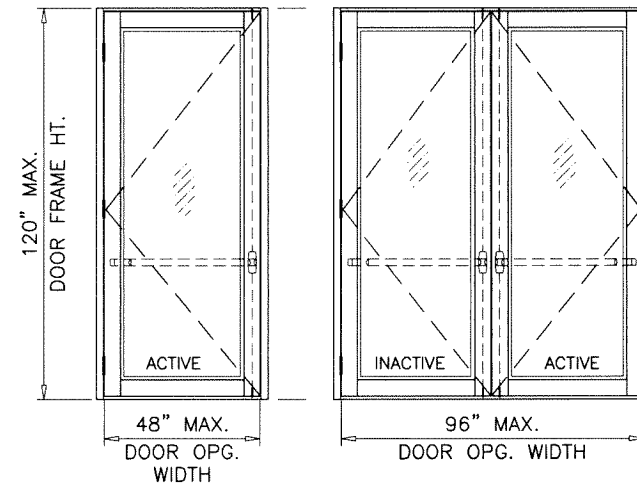
PANIC EXIT DEVICE

OPTION #2:

PANIC EXIT DEVICE
 MAX. FRAME HEIGHT = 120 IN.
 MAX. LEAF WIDTH = 48 IN.
 MAX. DESIGN LOAD = 90 PSF

ACTIVE & INACTIVE LEAF:

CONCEALED VERTICAL ROD PANIC EXIT DEVICE SERIES 3347 BY 'VON DUPRIN' LOCATED AT 40" FROM SILL AT EACH LEAF. FASTENED WITH
 (2) #10-32 X 3/4" FH MACHINE SCREWS AT ONE END AND
 (2) #10-24 X 1/2" FH MACHINE SCREWS AT OTHER END

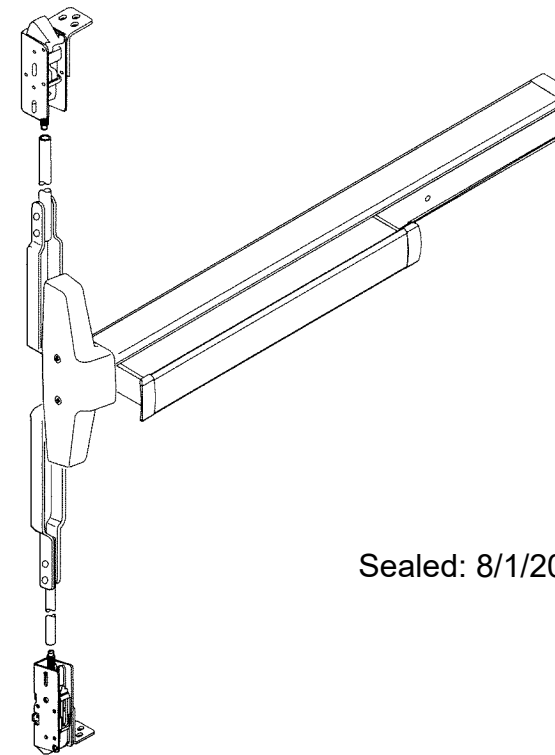
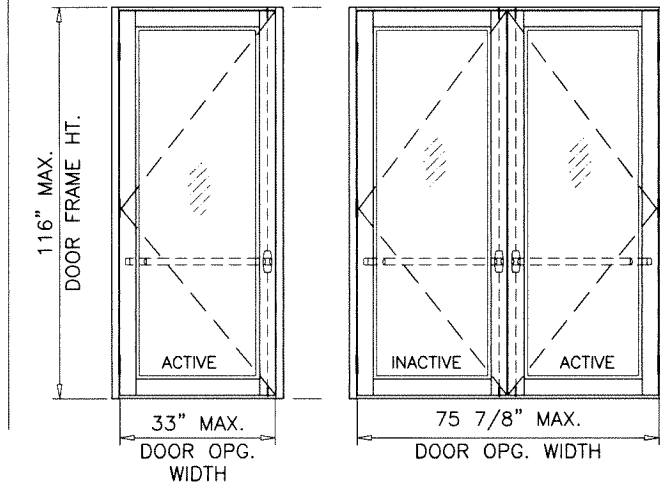


OPTION #3:

PANIC EXIT DEVICE
 MAX. FRAME HEIGHT = 116 IN.
 MAX. LEAF WIDTH = 38 IN.
 MAX. DESIGN LOAD = 114 PSF

ACTIVE & INACTIVE LEAF:

CONCEALED VERTICAL ROD PANIC EXIT DEVICE SERIES 1490 BY 'DOOR-O-MATIC' LOCATED AT 40" FROM SILL AT EACH LEAF. FASTENED WITH
 (2) #10-32 X 3/4" FH MACHINE SCREWS AT ONE END AND
 (2) #10-24 X 1/2" FH MACHINE SCREWS AT OTHER END



Sealed: 8/1/2023



FL #27001

a f c
AL-FAROOQ CORPORATION
 ENGINEERS & PRODUCT DEVELOPMENT
 9360 SUNSET DRIVE, SUITE 220 (C.A.N. 3538)
 MIAMI, FLORIDA 33173 TEL. (305) 262-6978
 FAX. (305) 264-8100
 COMP-ANL 20-51F-MG

SERIES MG500-10 ALUM OUTSWING FRENCH DOOR (L.M.I.)
MR-GLASS DOORS & WINDOWS MANUFACTURING, LLC
 8051 N.W. 79th Place
 Medley, FL 33166
 Tel. (305) 764-3963 Fax. (305) 470-8285

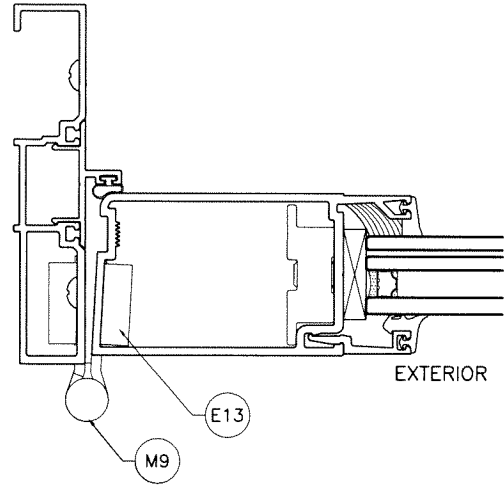
revisions:	no	date	description

date: 06-08-20	scale: -	dr. by: TARIQ	chk. by:
drawing no. 20-51F			
sheet 15 of 21			

HINGES:

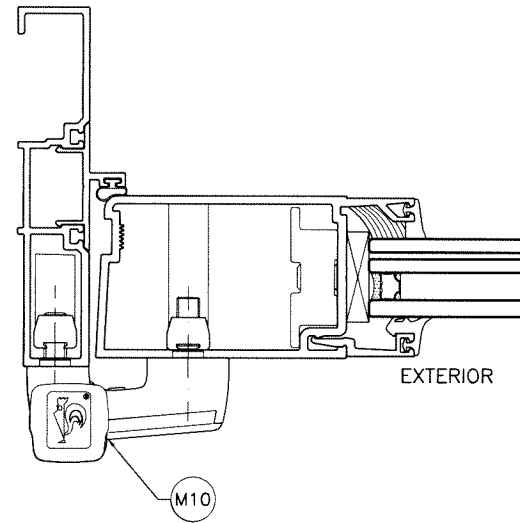
OPTION #1:

4 X 4-3/4" ST. STEEL BALL BEARING BUTT HINGES
 LOCATED AT
 11" FROM TOP & BOTTOM AND AT MIDSPAN
 FASTENED TO DOOR FRAME AND LEAF STILE WITH
 (4) #12-24 X 1/2" FH MACHINE SCREWS PER HASP

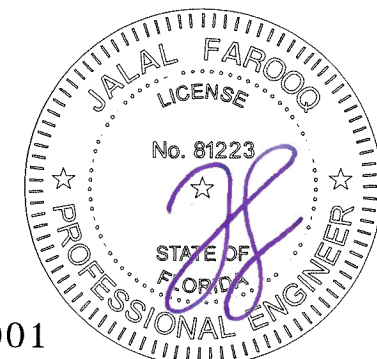


OPTION #2:

SERIES 60AT (DR HAHN A701) DIE CAST ALUMINUM HINGE
 BY 'DR HAHN'
 (2) HINGES PER LEAF AT 6" FROM TOP & BOTTOM



Sealed: 8/1/2023



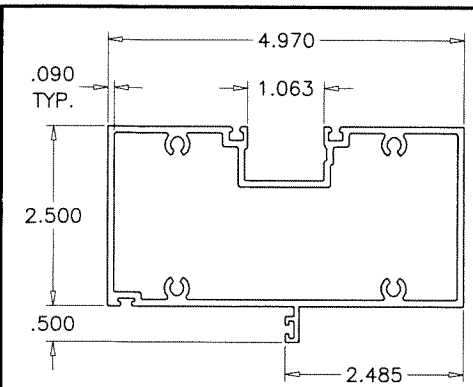
FL #27001

afc
AL-FAROOQ CORPORATION
 ENGINEERS & PRODUCT DEVELOPMENT
 9360 SUNSET DRIVE, SUITE 220 (C.A.N. 3538)
 MIAMI, FLORIDA 33173 FAX. (305) 262-6978
 TEL. (305) 264-8100 COMP-ANL\20-51F-MG

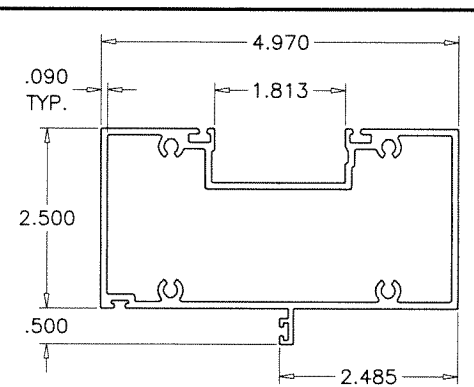
SERIES MG500-10 ALUM OUTSWING FRENCH DOOR (L.M.I.)
MR-GLASS DOORS & WINDOWS MANUFACTURING, LLC
 8051 N.W. 79th Place
 Medley, FL. 33166
 Tel. (305) 764-3963 Fax. (305) 470-8285

revisions:	
no	description

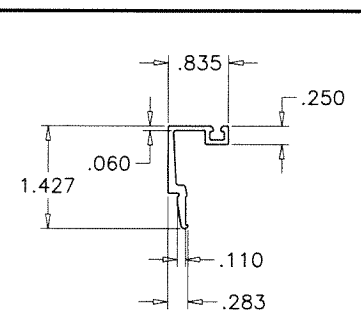
date: 06-08-20	scale: 3/8" = 1"	dr. by: TARIQ	chk. by:
drawing no. 20-51F		sheet 16 of 21	



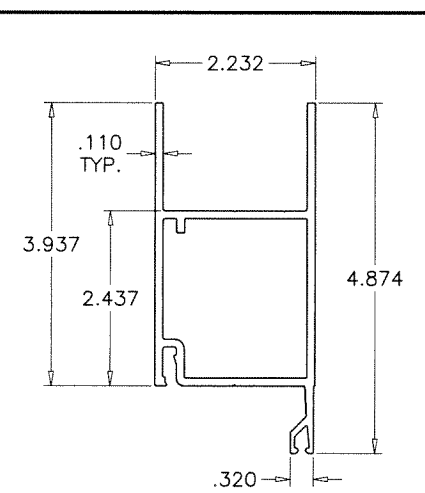
E1 DOOR HEADER (ES-9500)
(LAM. GLASS)



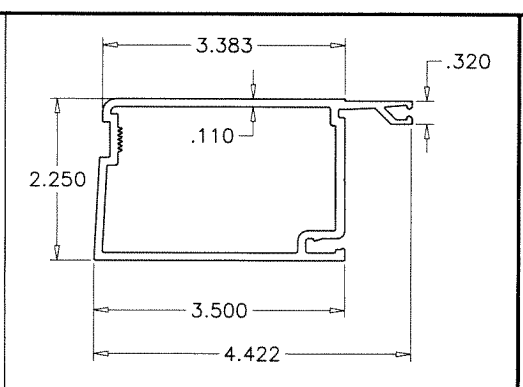
E45 DOOR HEADER (ES-9500)
(INSUL. LAM. GLASS)



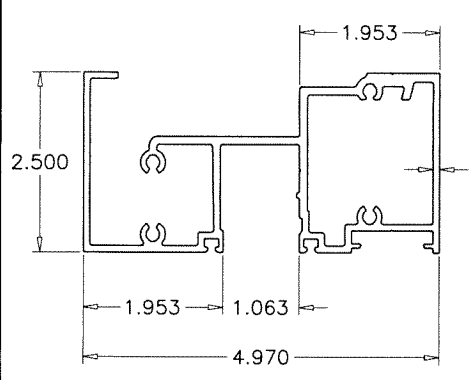
E9 GLASS STOP
(LAM. GLASS)



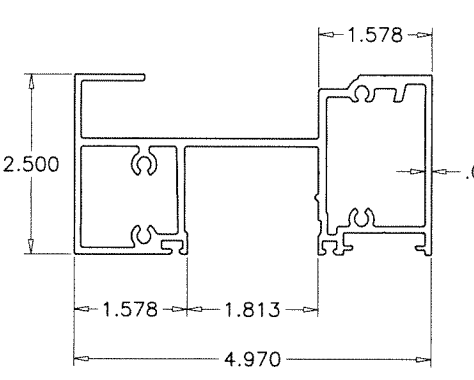
E4 TOP RAIL



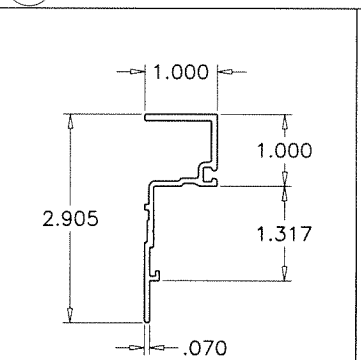
E6 HINGE/LOCK STILE



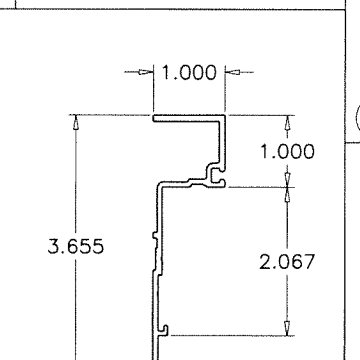
E26 TRANSOM HEAD (ES-9500)
(LAM. GLASS)



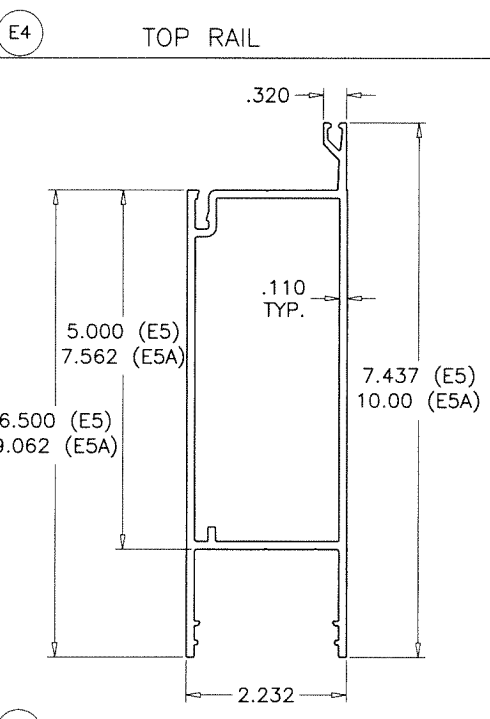
E50 TRANSOM HEAD (ES-9500)
(INSUL. LAM. GLASS)



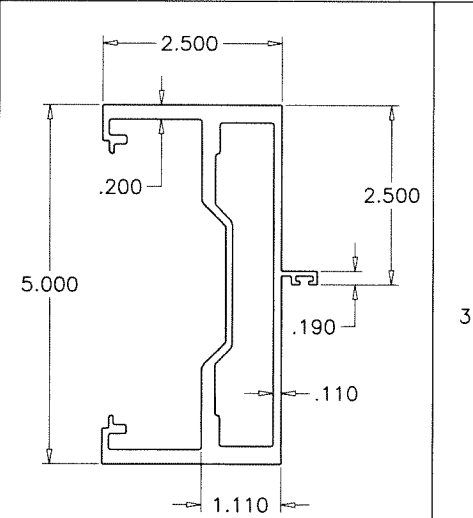
E2 TRANSOM ADAPTER
(LAM. GLASS)



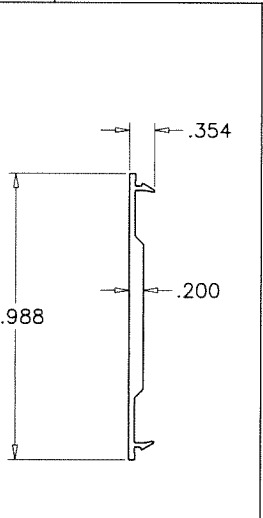
E29 TRANSOM ADAPTER
(INSUL. LAM. GLASS)



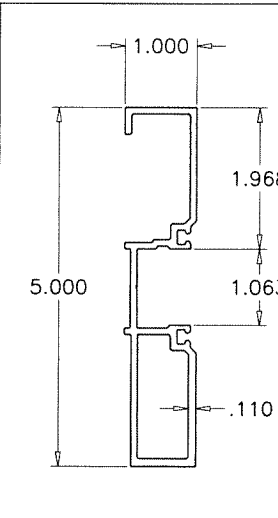
E5 STD. BOTTOM RAIL
E5A HI-PROFILE BOTTOM RAIL



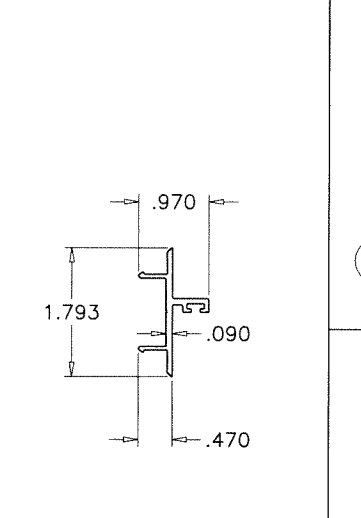
E3 STD. JAMB (ES-9500)



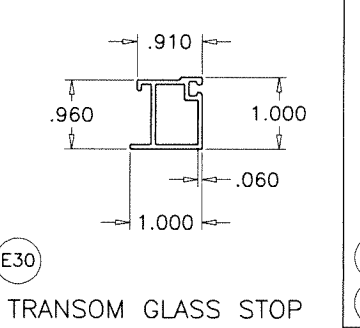
E15 JAMB FILLER



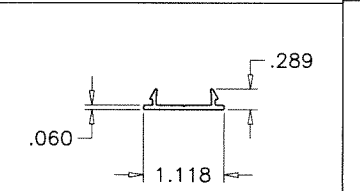
E22 NARROW JAMB



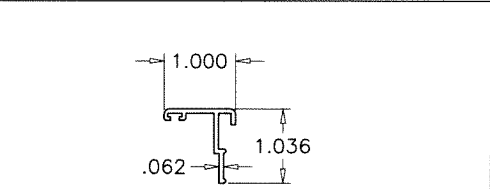
E23 NARROW JAMB
DOOR STOP



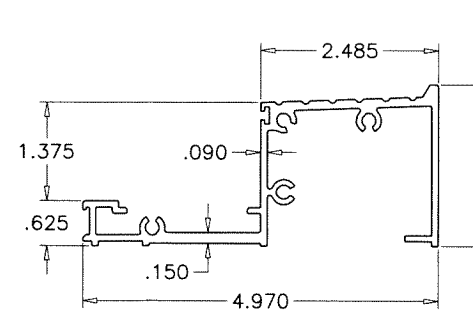
E30 TRANSOM GLASS STOP



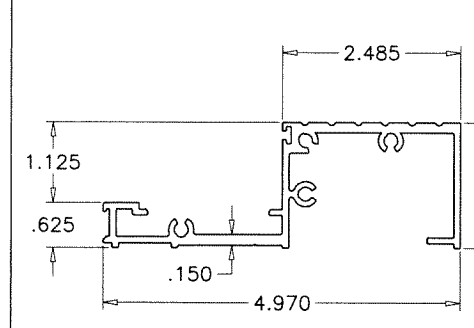
E41 HEAD COVER



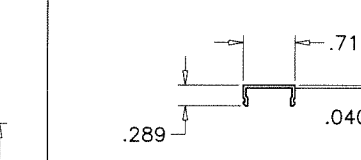
E18 ASTRAGAL STILE



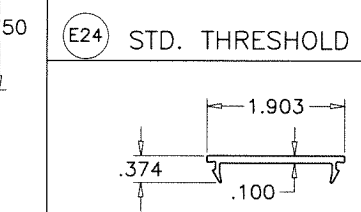
E39 HIGH THRESHOLD
APPR'D FOR WATER RESISTANCE



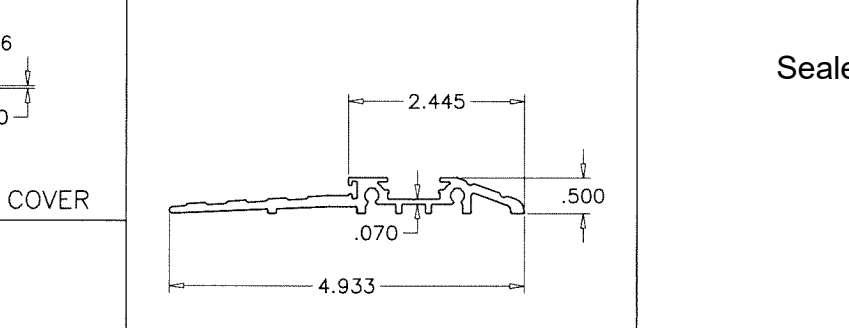
E59 MEDIUM THRESHOLD
NOT APPR'D FOR WATER RESISTANCE



E24 STD. THRESHOLD COVER

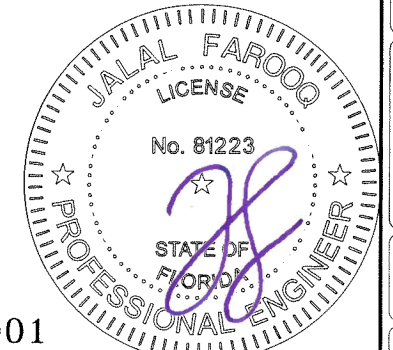


E40 HIGH THRESHOLD COVER



E19 STANDARD THRESHOLD

Sealed: 8/1/2023



af c
AL-FAROOQ CORPORATION
ENGINEERS & PRODUCT DEVELOPMENT
9360 SUNSET DRIVE, SUITE 220 (C.A.N. 3538)
MIAMI, FLORIDA 33173
TEL. (305) 264-8100 FAX. (305) 262-6978
COMP-ANL\20-51F-MG

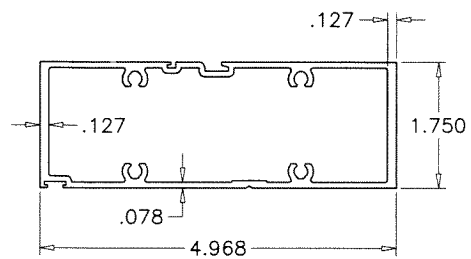
SERIES MG500-10 ALUM OUTSWING FRENCH DOOR (L.M.I.)
MR-GLASS DOORS & WINDOWS MANUFACTURING, LLC
8051 N.W. 79th Place
Medley, FL, 33166
Tel. (305) 764-3963 Fax. (305) 470-8285

revisions:	no	date	by	description

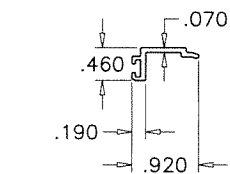
date: 06-08-20
scale: 3/8" = 1"
dr. by: TARIQ
chk. by:

drawing no.
20-51F
sheet 17 of 21

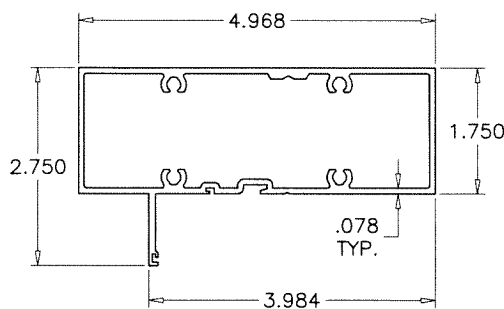
FL #27001



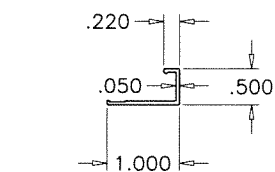
E49 DOOR HEADER (MG5000)



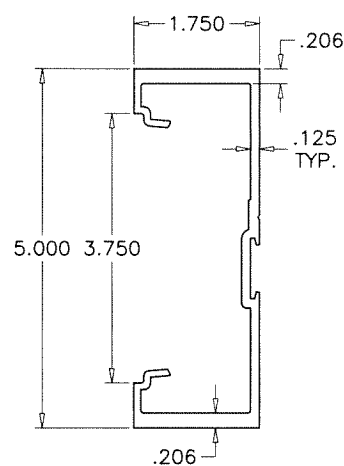
E38 DOOR STOP



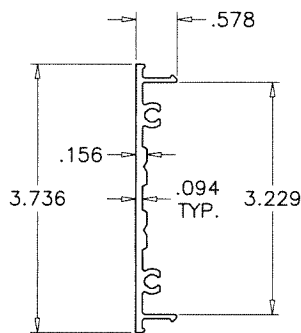
E46 TRANSOM HEAD (MG5000)



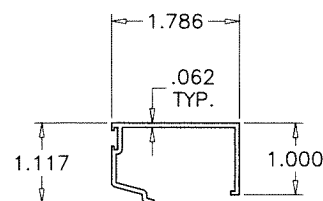
E37 DOOR STOP COVER



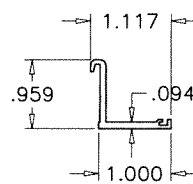
E35 TRANSOM JAMB (MG5000)



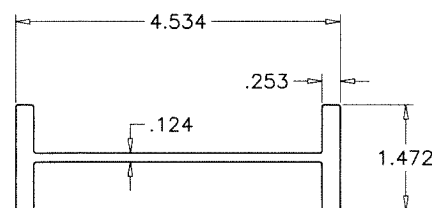
E32 JAMB FILLER (MG5000)



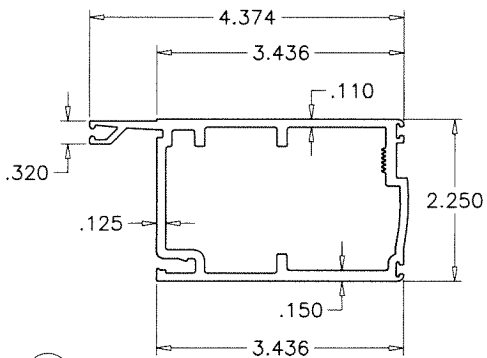
E33 TRANSOM GLASS STOP (MG5000)



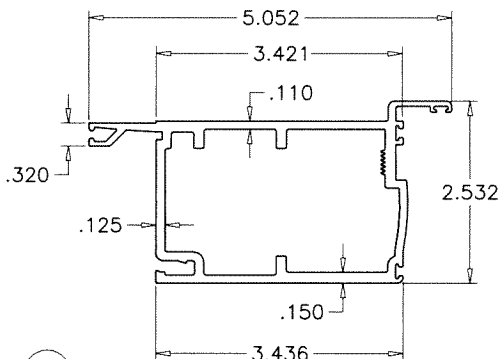
E36 TRANSOM GLAZING ADAPTER



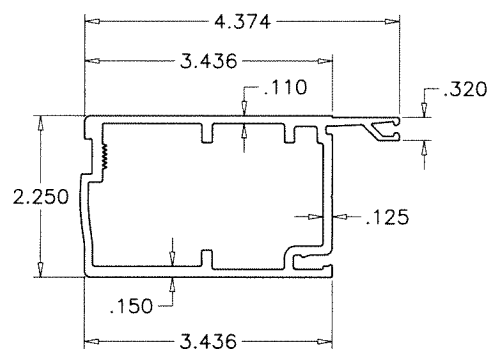
E58 TRANSOM STIFFENER (MG5000)



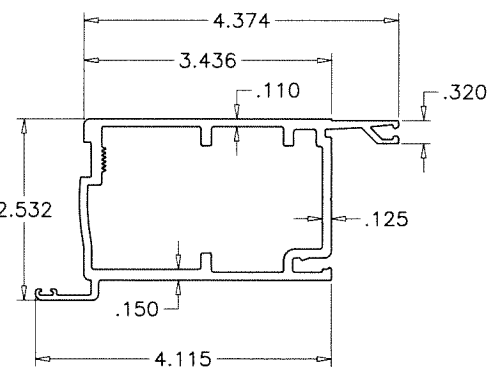
E7 MEETING STILE - INACTIVE LEAF



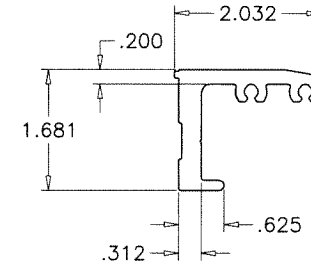
E7A ALT. MEETING STILE - INACTIVE LEAF



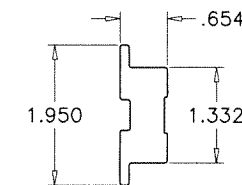
E8 MEETING STILE - ACTIVE LEAF



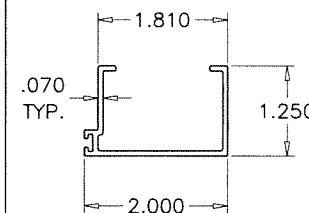
E8A ALT. MEETING STILE - ACTIVE LEAF



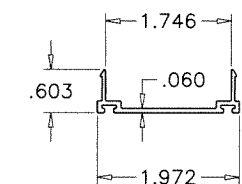
E10 CORNER BLOCK



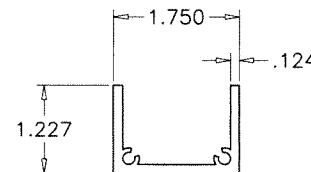
E11 CORNER PLATE



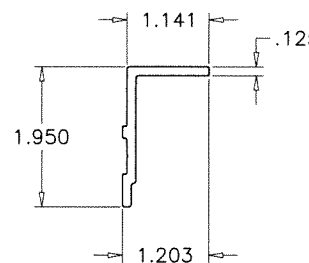
E18 CLOSURE DOOR STOP



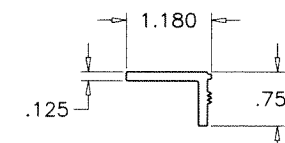
E17 DOOR SWEEP



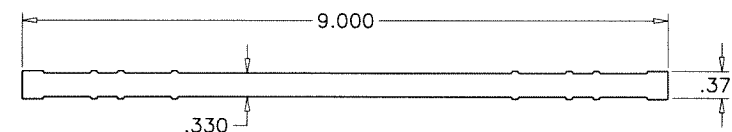
E56 SUPPORT GUIDE



E14 LOCK BACK UP PLATE

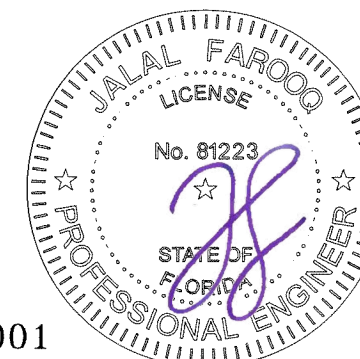


E12 SUPPORT ANGLE



E13 HINGE BACKUP PLATE

Sealed: 8/1/2023



FL #27001

af c
AL-FAROOQ CORPORATION
 ENGINEERS & PRODUCT DEVELOPMENT
 9360 SUNSET DRIVE, SUITE 220
 MIAMI, FLORIDA 33173 (C.A.N. 3538)
 TEL. (305) 264-8100 FAX. (305) 262-6978
 COMP-ANL\20-51F-MG

SERIES MG500-10 ALUM OUTSWING FRENCH DOOR (L.M.I.)
MR-GLASS DOORS & WINDOWS MANUFACTURING, LLC
 8051 N.W. 79th Place
 Medley, FL. 33166
 Tel. (305) 764-3963 Fax. (305) 470-6285

no	date	by	description

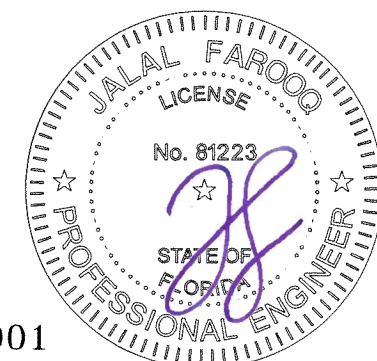
date: 06-08-20
 scale: 3/8" = 1"
 dr. by: TARIQ
 chk. by:

drawing no.
20-51F
 sheet 18 of 21

ITEM #	PART #	QUANTITY	DESCRIPTION	MATERIAL	MANF./SUPPLIER/REMARKS
E1	ES-9012	1	DOOR HEADER	6061-T6	-
E2	ES-9019		TRANSOM ADAPTER	6063-T5	-
E3	ES-9013	2	STD. DOOR JAMB	6063-T6	-
E4	ES-9001	2	TOP RAIL	6063-T5	-
E5	ES-9002	1	STD. BOTTOM RAIL	6063-T6	-
E5A	ES-9000-031	1	HI-PROFILE BOTTOM RAIL	6063-T6	-
E6	ES-9003	2	HINGE/LOCK STILE	6063-T5	-
E7	ES-9006	1	MEETING STILE - INACTIVE LEAF	6063-T5	-
E7A	-	1	ALT. MEETING STILE - INACTIVE LEAF	6063-T5	-
E8	ES-9007	1	MEETING STILE - ACTIVE LEAF	6063-T5	-
E8A	-	1	ALT. MEETING STILE - ACTIVE LEAF	6063-T5	-
E9	ES-9004	4	GLASS STOP	6063-T5	-
E10	ES-9008	4	CORNER BLOCK	6063-T5	-
E11	ES-9009	4	CORNER PLATE	6063-T5	-
E12	ES-9010	4	SUPPORT ANGLE	6063-T5	3/4" X 1" X 1/8" X 9" LONG
E13	ES-9011	AS REQD.	HINGE BACKUP PLATE REINFORCEMENT	6063-T5	1-1/4" X 9" X 3/8" THK.
E14	ES-9020	1	LOCK BACKUP PLATE REINFORCEMENT	6063-T5	10" LONG
E15	ES-9016	AS REQD.	JAMB FILLER	6063-T6	-
E17	ES-9005	-	DOOR SWEEP	6063-T5	-
E18	ES-9060		ASTRAGAL STILE, SECURED W/ #8 X 1/2" SMS @ 12" O.C.	6063-T5	-
E19	ES-9000-030	1	STANDARD THRESHOLD	6061-T6	-
E22	ES-7530-213	AS REQD.	NARROW DOOR JAMB	6063-T6	-
E23	ES-7530-214	AS REQD.	NARROW JAMB DOOR STOP	6063-T6	-
E24	ES-6011	AS REQD.	SCREW COVER	6063-T6	-
E26	ES-9506	AS REQD.	FRAME HEAD (LAM. GLASS)	6063-T5	-
E29	ES-9024	AS REQD.	TRANSOM ADAPTER (INSUL. LAM. GLASS)	6063-T5	-
E30	ES-9018	AS REQD.	TRANSOM GLASS STOP	6063-T5	-
E32	ES-8003	AS REQD.	JAMB FILLER	6063-T6	-
E33	ES-8006	AS REQD.	GLASS STOP	6063-T5	-
E36	ES-8014	AS REQD.	GLAZING ADAPTER (DOOR TRANSOM)	6063-T6	-
E37	ES-9052	-	DOOR STOP COVER	6063-T5	-
E38	ES-9051	-	DOOR STOP	6063-T5	-
E39	ES-9026	1	HIGH THRESHOLD	6063-T6	-
E40	ES-9027	1	THRESHOLD COVER	6063-T5	-
E41	ES-9502	AS REQD.	HEAD COVER	6063-T5	-
E45	ES-9025	AS REQD.	DOOR HEADER (INSUL. LAM. GLASS)	6061-T6	-
E46	ES-8005	AS REQD.	TRANSOM HEAD	6063-T6	-
E49	ES-8013M2	AS REQD.	DOOR HEAD	6061-T6	-
E50	ES-9554	AS REQD.	HEAD (INSUL. LAM. GLASS)	6063-T5	-
E54	ALU-A-027	AS REQD.	ANGLE	6063-T6	-
E55	ALU-P-030	AS REQD.	PLATE	6063-T6	-
E56	GMP-104A	AS REQD.	SUPPORT GUIDE	6063-T6	-
E58	-	AS REQD.	TRANSOM STIFFENER (ES-8000)	6005-T5	-
E59	ES-9000-036	1	MEDIUM THRESHOLD	6063-T6	-
M1	#12 X 1"	AS REQD.	FRAME & LEAF ASSEMBLY FASTENERS	ST. STEEL	PH SMS
M2	12-24 X 1/2"	AS REQD.	HINGE, INT. PIVOT & THRESHOLD CLIP FASTENERS	ST. STEEL	FH MS
M3	8-32 X 1/2"	AS REQD.	SUPPORT ANGLE & LOCK BACK UP PLATE FASTENERS	ST. STEEL	FH MS
M4	3/8-16 X 1"	AS REQD.	LEAF ASSEMBLY FASTENERS	ST. STEEL	HEX BOLT
M5	ES-9000-G01	AS RQD.	WEDGE GASKET	SILICONE	DUROMETER 70±5 SHORE A
M6	ES-9000-G02	AS RQD.	SPACER GASKET	EPDM	DUROMETER 70±5 SHORE A
M7	ES-9000-G03	AS RQD.	BULB VINYL, BASE-POLYPROPYLENE, BULB-TPE	-	ULTRAFAB, DUROMETER 73
M8	ES-9000-B01	AS REQD.	SETTING BLOCK (LAM. GLASS) AT 1/4 POINTS	EPDM	DUROMETER 80±5 SHORE A
M8i	ES-9000-B02A	AS REQD.	SETTING BLOCK (INSUL. LAM. GLASS) AT 1/4 POINTS	EPDM	DUROMETER 80±5 SHORE A
M9	-	AS REQD.	BUTT HINGE 4 1/2" x 4"	ST. STEEL	-
M10	60AT 2-TLG	AS REQD.	RESIDENTIAL HINGE	-	DR. HAHN
M11	DL01-6192-117	1	LOCK HANDLE KIT	-	ADAMS RITE
M12	MS1953-350	1	3 POINT LOCK	-	ADAMS RITE
M13	SBCTN03	1	KEY CYLINDER	-	-
M14	SBCTN03	1	THUMBTURN	-	-
M15	MS1880-04	1	2 POINT LOCK	-	ADAMS RITE
M16	#8 X 1/2"	AS REQD.	ASTRAGAL FASTENERS	ST. STEEL	FH SMS

ITEM #	PART #	QUANTITY	DESCRIPTION	MATERIAL	MANF./SUPPLIER/REMARKS
M17	BF157A47	AS REQD.	PUSH - PULL	-	-
M18	33/35A	AS REQD.	PANIC EXIT DEVICE	-	VON DUPRIN
M19	W13273NK	AS REQD.	PILE W'STRIPPING	WOOL	-
M20	W23451NK	AS REQD.	PILE W'STRIPPING MTG. STILES	WOOL	-
M21	W13351NK	AS REQD.	PILE W'STRIPPING SWEEP	WOOL	-
M21B	W13276NK	AS REQD.	PILE W'STRIPPING	WOOL	-
M22	-	1/ CLOSER	CHANNEL SPACER 5/8" X 1-7/8"	-	-
M23	-	2	THRESHOLD CLIP	-	-
M24	DOWSIL 983	AS RQD.	STRUCTURAL SILICONE	-	-
M25	AEKA-420-165	AS RQD.	1/4-20 NUT FOR INSERT IN PUSH BAR	-	-
M27	#10 X 1/2"	AS REQD.	TRANSOM ADAPTER FASTENERS	ST. STEEL	FH SMS
M28	#12 X 1"	AS REQD.	TO LEAF	ST. STEEL	FH SMS
M34	ES-8009	AS REQD.	SILICONE DAM	EPDM	DUROMETER 60±5 SHORE A
M36	ES-8010	AS REQD.	BULB SEAL	EPDM	DUROMETER 60±5 SHORE A
M37	ES-6025-B05	AS REQD.	SETTING BLOCK (LAM. GLASS) AT 1/4 POINTS	EPDM	DUROMETER 85±5 SHORE A
M38	ES-8011	AS REQD.	GLASS SPACER	EPDM	DUROMETER 85±5 SHORE A
M41	-	AS REQD.	1/4" X 1/4" INTERIOR SPACER	EPDM	DUROMETER 85±5 SHORE A
M42	#12 X 2"	AS REQD.	THRESHOLD TO JAMB FASTENERS	ST. STEEL	PH SMS
M43	#8 X 1/2"	AS REQD.	DOOR STOP FASTENERS	ST. STEEL	PH SMS
M44	10-24 X 1/2"	AS REQD.	ANGLE FASTENERS	ST. STEEL	FH SMS
M45	8-32 X 1/2"	AS REQD.	ANGLE FASTENERS	ST. STEEL	PH SMS
M46	#8 X 3/4"	AS REQD.	ANGLE FASTENERS	ST. STEEL	FH SMS
M47	-	AS REQD.	MORTISE LOCK	-	-
M48	DL01-6040	AS REQD.	SHOOT BOLT TIPS	-	-
M50	DL01-6295-117	AS REQD.	DUMMY HANDLE KIT	-	-
M57	#10 X 1-1/2"	AS REQD.	FOR RATCHET RELEASE ACESORY	ST. STEEL	FH SMS

Sealed: 8/1/2023



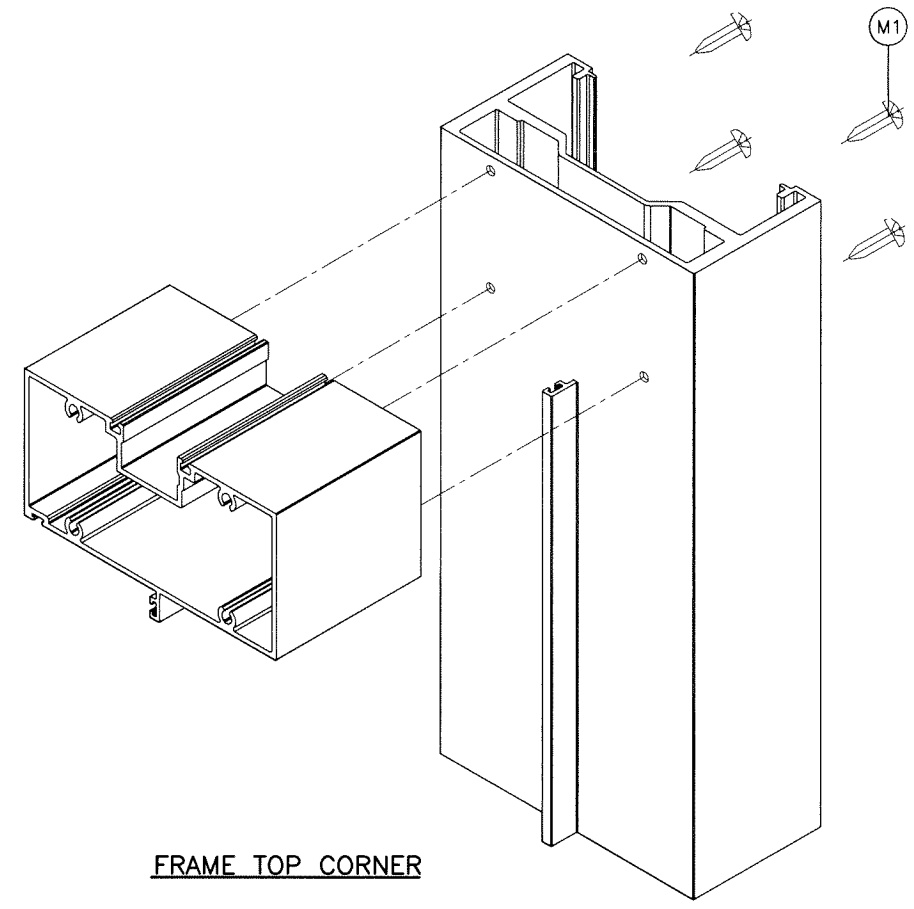
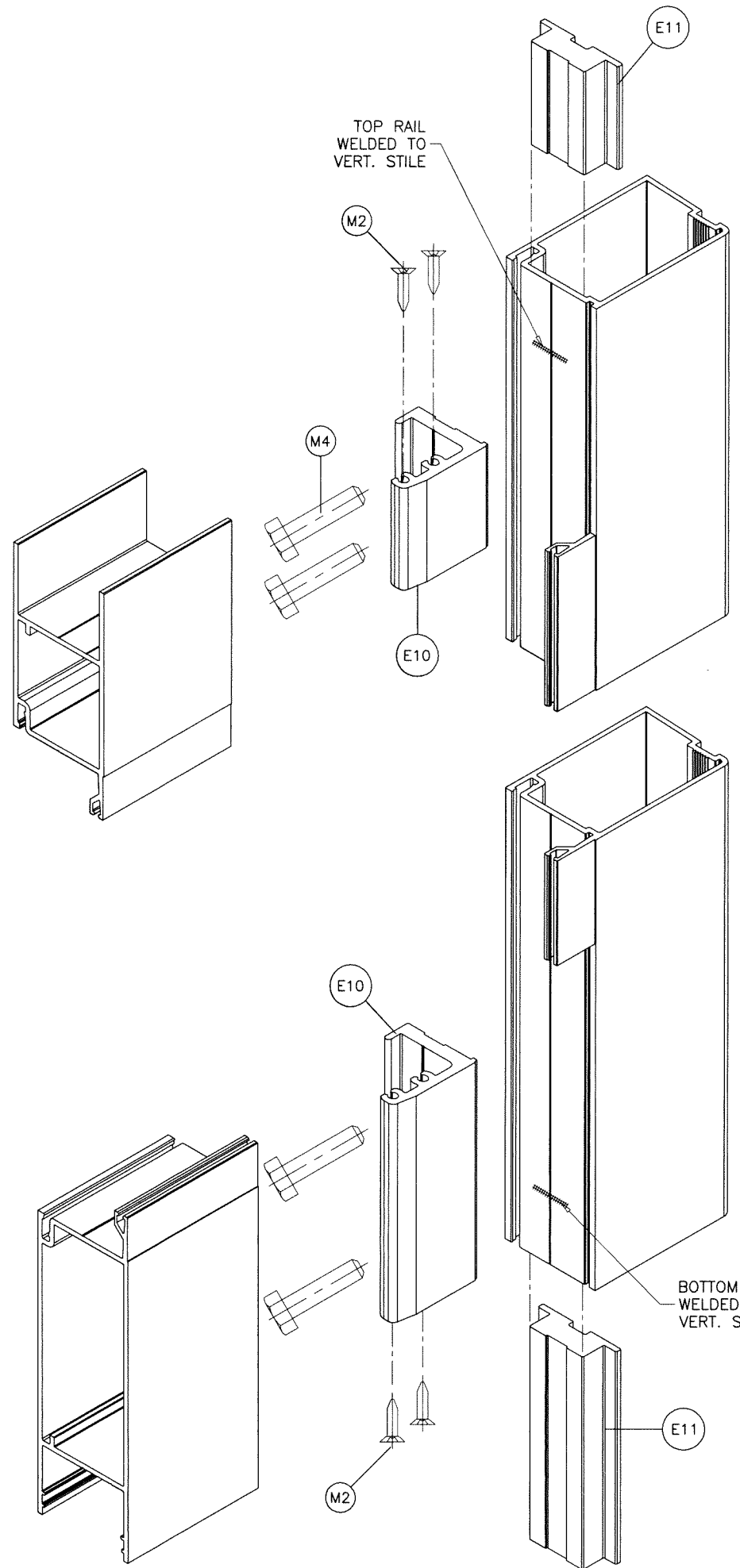
FL #27001

af c
AL-FAROOQ CORPORATION
 ENGINEERS & PRODUCT DEVELOPMENT
 9360 SUNSET DRIVE, SUITE 220
 MIAMI, FLORIDA 33173 (C.A.N. 3538)
 TEL. (305) 264-8100 FAX. (305) 262-6978
 COMP-ANL\20-51F-MG

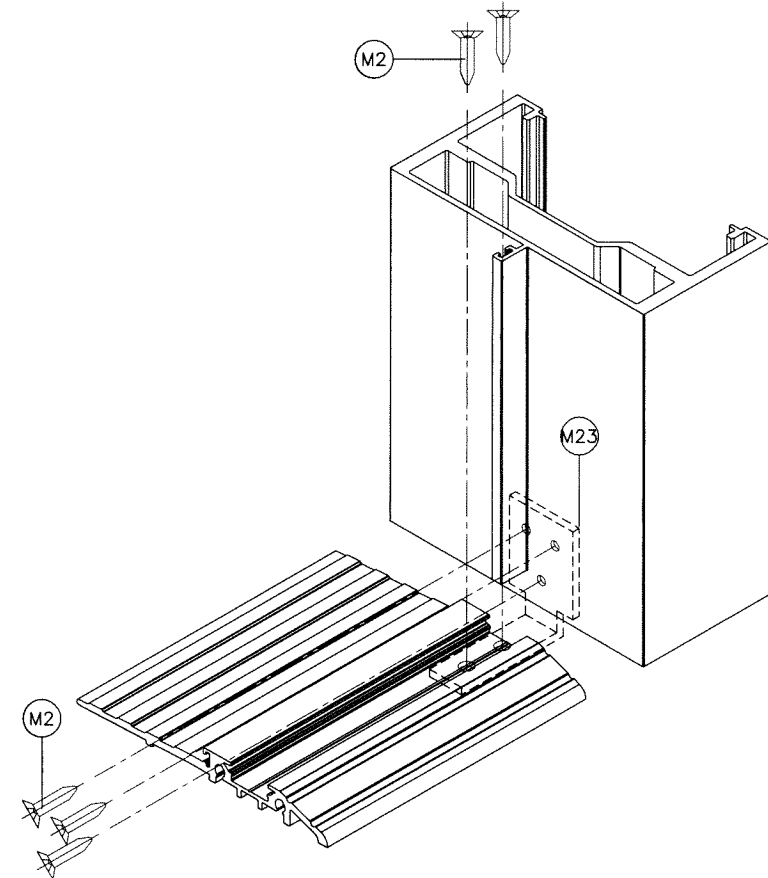
SERIES MG500-10 ALUM OUTSWING FRENCH DOOR (L.M.I.)
MR-GLASS DOORS & WINDOWS MANUFACTURING, LLC
 8051 N.W. 79th Place
 Medley, FL. 33166
 Tel. (305) 764-3963 Fax. (305) 470-8285

revisions:
 no. date by description

 date: 06-08-20
 scale: 3/8" = 1"
 dr. by: TARIQ
 chk. by:
 drawing no.
20-51F
 sheet 19 of 21



FRAME TOP CORNER



THRESHOLD CORNER

Sealed: 8/1/2023



FL #27001

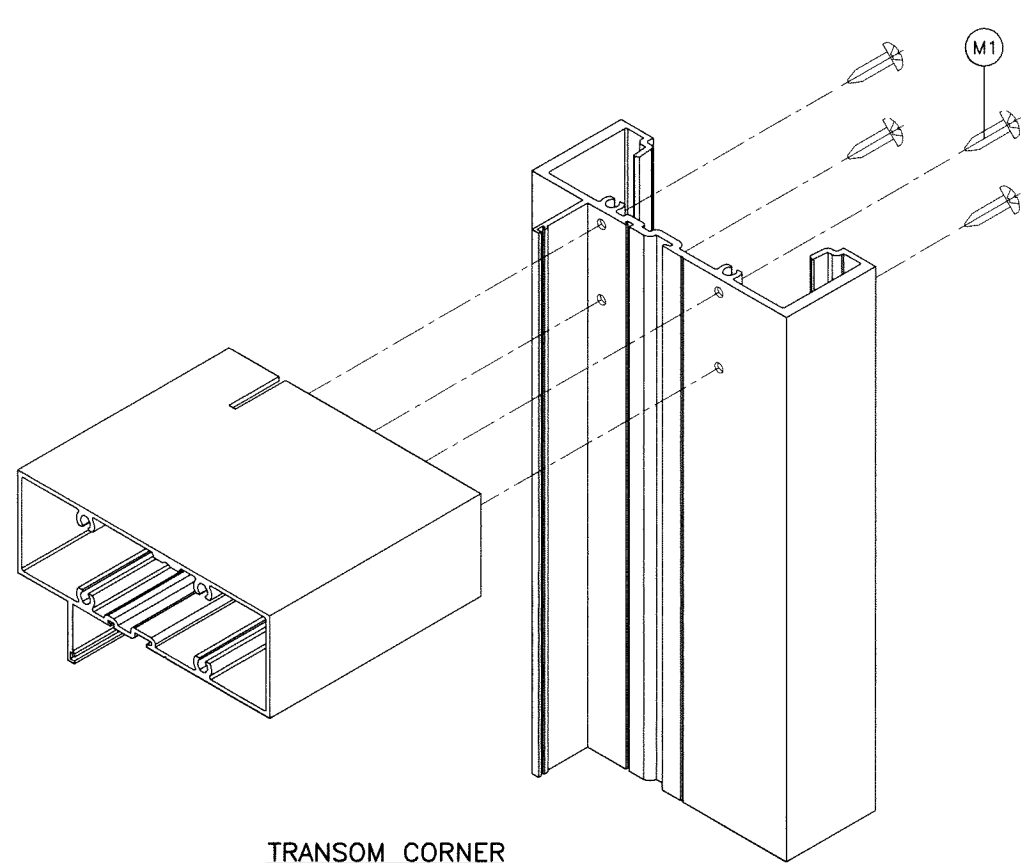
a f c
AL-FAROOQ CORPORATION
 ENGINEERS & PRODUCT DEVELOPMENT
 9360 SUNSET DRIVE, SUITE 220 (C.A.N. 3538)
 MIAMI, FLORIDA 33173
 TEL. (305) 264-8100 FAX. (305) 262-6978
 COMP-ANL\20-51F-MG

SERIES MG500-10 ALUM OUTSWING FRENCH DOOR (L.M.I.)
MR-GLASS DOORS & WINDOWS MANUFACTURING, LLC
 8051 N.W. 79th Place
 Medley, FL. 33166
 Tel. (305) 764-3963 Fax. (305) 470-8285

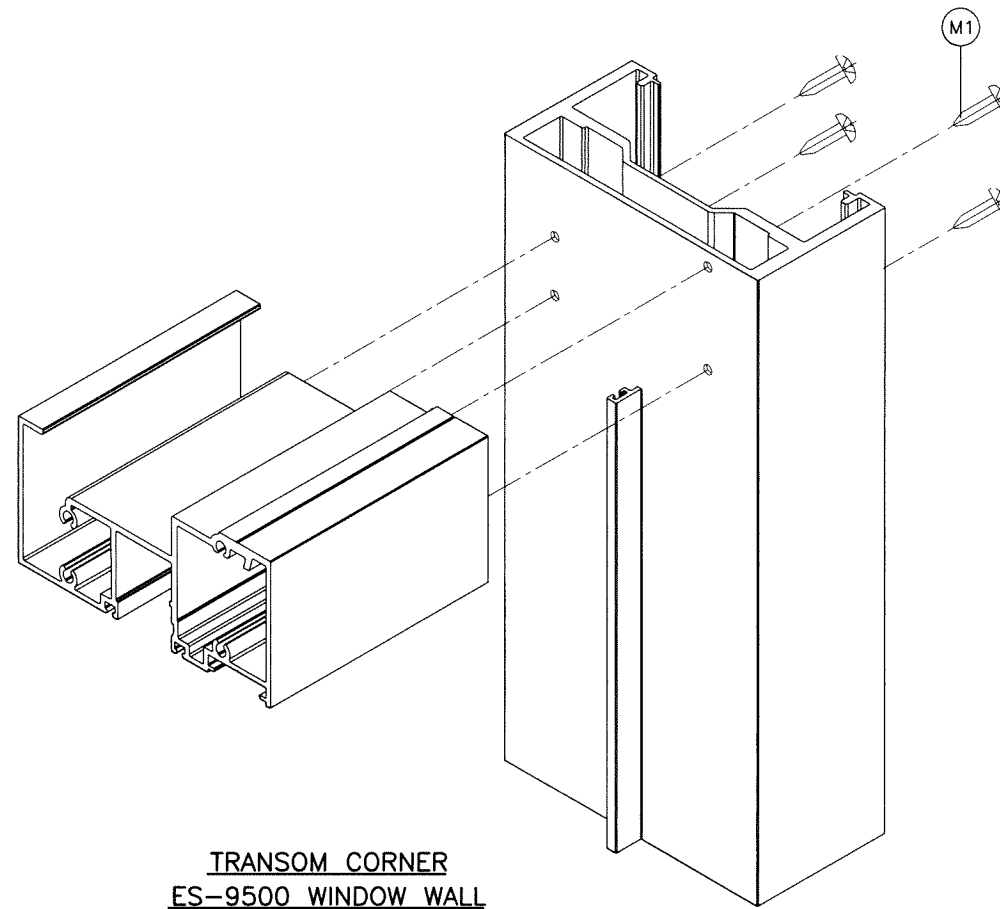
no.	date	description	by

date: 06-08-20
 scale: -
 dr. by: TARIO
 chk. by:

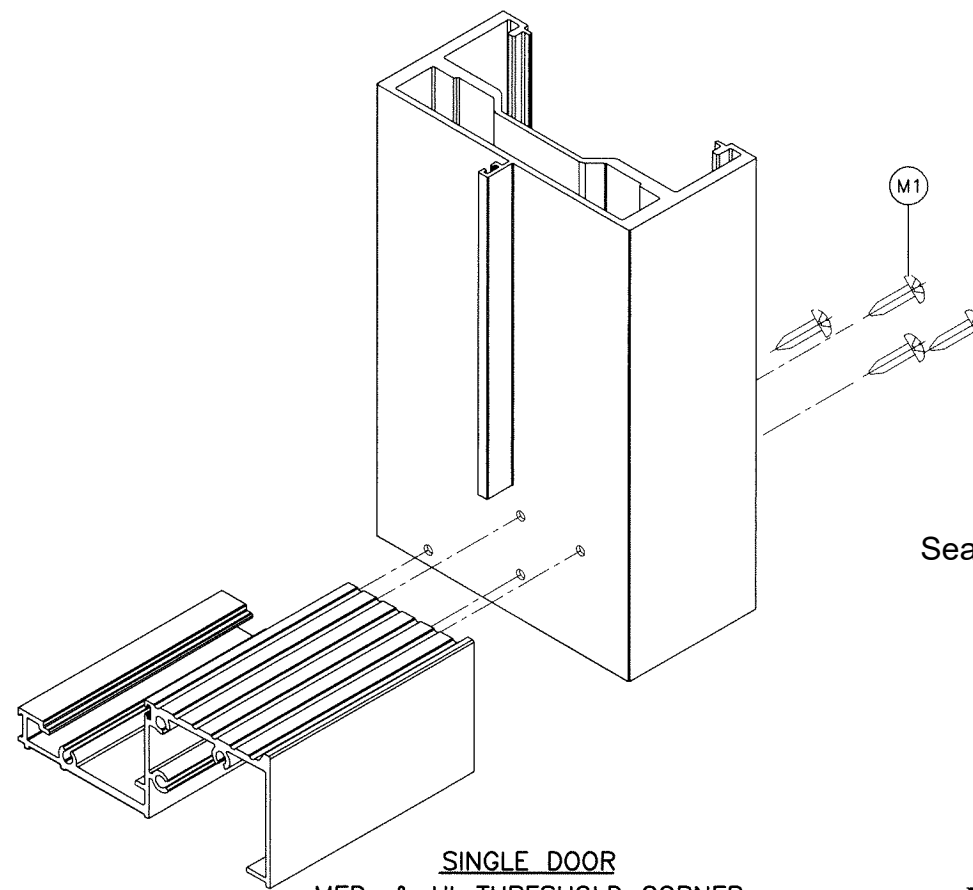
drawing no.
20-51F
 sheet 20 of 21



TRANSOM CORNER
SERIES MG5000 WINDOW WALL

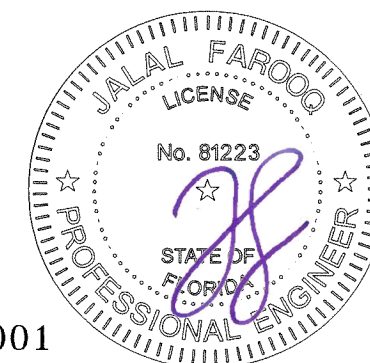


TRANSOM CORNER
ES-9500 WINDOW WALL



SINGLE DOOR
MED. & HI-THRESHOLD CORNER

Sealed: 8/1/2023



FL #27001

a f c
AL-FAROOQ CORPORATION
 ENGINEERS & PRODUCT DEVELOPMENT
 9360 SUNSET DRIVE, SUITE 220
 MIAMI, FLORIDA 33173 (C.A.N. 3538)
 TEL. (305) 264-8100 FAX. (305) 262-6978
 COMP-ANL 20-51F-MG

SERIES MG500-10 ALUM OUTSWING FRENCH DOOR (L.M.I.)
MR-GLASS DOORS & WINDOWS MANUFACTURING, LLC
 8051 N.W. 79th Place
 Medley, FL. 33166
 Tel. (305) 764-3963 Fax. (305) 470-8285

revisions:	
no	date by description

date: 06-08-20	scale: -	dr. by: TARIQ	chk. by:
drawing no. 20-51F		sheet 21 of 21	