



[DBPR HOME](#) | [ABOUT DBPR](#) | [DBPR DIVISIONS](#) | [CONTACT DBPR](#)

[BCIS Home](#) | [Log In](#) | [User Registration](#) | [Hot Topics](#) | [Submit Surcharge](#) | [Stats & Facts](#) | [Publications](#) | [Contact Us](#) | [BCIS Site Map](#) | [Links](#) | [Search](#)



Product Approval
USER: Public User

[Product Approval Menu](#) > [Product or Application Search](#) > [Application List](#) > **Application Detail**

OFFICE OF THE SECRETARY

FL #	FL27001-R3												
Application Type	Revision												
Code Version	2023												
Application Status	Approved												
Comments													
Archived	<input type="checkbox"/>												
Product Manufacturer	Mr-Glass Doors & Windows Manufacturing, LLC												
Address/Phone/Email	8051 NW 79th Place Medley, FL 33166 (305) 470-8284 ulises@mrglasswindows.com												
Authorized Signature	Ulises Senaris ulises@mrglasswindows.com												
Technical Representative	Augusto Arias												
Address/Phone/Email	8120 NW 84th St Medley, FL 33166 (305) 470-8284 aarias@mrglasswindows.com												
Quality Assurance Representative													
Address/Phone/Email													
Category	Exterior Doors												
Subcategory	Swinging Exterior Door Assemblies												
Compliance Method	Evaluation Report from a Florida Registered Architect or a Licensed Florida Professional Engineer <input type="checkbox"/> Evaluation Report - Hardcopy Received												
Florida Engineer or Architect Name who developed the Evaluation Report	Jalal Farooq												
Florida License	PE-81223												
Quality Assurance Entity	Keystone Certifications, Inc.												
Quality Assurance Contract Expiration Date	08/27/2025												
Validated By	Abel Carrasco, PE <input checked="" type="checkbox"/> Validation Checklist - Hardcopy Received												
Certificate of Independence	FL27001_R3_COI_SS - Certificate of Independence.pdf												
Referenced Standard and Year (of Standard)	<table border="0"> <thead> <tr> <th>Standard</th> <th>Year</th> </tr> </thead> <tbody> <tr> <td>ASTM E1886</td> <td>2013</td> </tr> <tr> <td>ASTM E1996</td> <td>2017</td> </tr> <tr> <td>TAS-201</td> <td>1994</td> </tr> <tr> <td>TAS-202</td> <td>1994</td> </tr> <tr> <td>TAS-203</td> <td>1994</td> </tr> </tbody> </table>	Standard	Year	ASTM E1886	2013	ASTM E1996	2017	TAS-201	1994	TAS-202	1994	TAS-203	1994
Standard	Year												
ASTM E1886	2013												
ASTM E1996	2017												
TAS-201	1994												
TAS-202	1994												
TAS-203	1994												

Equivalence of Product Standards Certified By
Florida Licensed Professional Engineer or Architect
[FL27001_R3_Equiv_SS - Equiv Ltr ASTM E1886-1996.pdf](#)

Sections from the Code

Product Approval Method Method 1 Option D

Date Submitted 08/01/2023

Date Validated 08/01/2023

Date Pending FBC Approval 08/03/2023

Date Approved 10/17/2023

Summary of Products

FL #	Model, Number or Name	Description
27001.1	Series MG500 Aluminum Outswing French Door	Large missile impact resistant aluminum outswing door.
Limits of Use Approved for use in HVHZ: Yes Approved for use outside HVHZ: Yes Impact Resistant: Yes Design Pressure: +130/-130 Other: See attached drawing 18-47F for installation instructions		Installation Instructions FL27001_R3_II_SS - MG-500 OS Door (LMI) - DWG 18-47F 2023.pdf Verified By: Jalal Farooq PE # 81223 Created by Independent Third Party: Yes Evaluation Reports FL27001_R3_AE_SS - MG-500 OS Door (LMI)-PAE 2023.pdf Created by Independent Third Party: Yes
27001.2	Series MG500-10 Aluminum Outswing French Door	Large missile impact resistant aluminum outswing door.
Limits of Use Approved for use in HVHZ: Yes Approved for use outside HVHZ: Yes Impact Resistant: Yes Design Pressure: +114/-114 Other: See attached drawing 20-51F for installation instructions.		Installation Instructions FL27001_R3_II_SS - MG-500-10 OS Door (LMI)-DWG 20-51F 2023.pdf Verified By: Jalal Farooq PE # 81223 Created by Independent Third Party: Yes Evaluation Reports FL27001_R3_AE_SS - MG-500-10 OS Door (LMI)-PAE 2023.pdf Created by Independent Third Party: Yes

[Back](#) [Next](#)

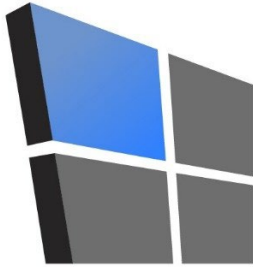
Contact Us :: [2601 Blair Stone Road, Tallahassee FL 32399](#) Phone: 850-487-1824

The State of Florida is an AA/EEO employer. [Copyright 2007-2013 State of Florida.](#) :: [Privacy Statement](#) :: [Accessibility Statement](#) :: [Refund Statement](#)

Under Florida law, email addresses are public records. If you do not want your e-mail address released in response to a public-records request, do not send electronic mail to this entity. Instead, contact the office by phone or by traditional mail. If you have any questions, please contact 850.487.1395. *Pursuant to Section 455.275(1), Florida Statutes, effective October 1, 2012, licensees licensed under Chapter 455, F.S. must provide the Department with an email address if they have one. The emails provided may be used for official communication with the licensee. However email addresses are public record. If you do not wish to supply a personal address, please provide the Department with an email address which can be made available to the public. To determine if you are a licensee under Chapter 455, F.S., please click [here](#).

Product Approval Accepts:





AL-FAROOQ CORPORATION

CONSULTING ENGINEERS & PRODUCT DEVELOPMENT

August 11, 2020

Product Approval Administrator
Building Codes & Standards Section
Department of Business & Professional Regulations
1940 North Monroe Street, Suite 90
Tallahassee, FL 32399-2100

To whom it may concern,

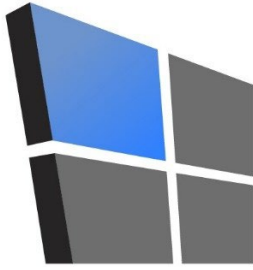
As the design engineer retained to prepare the product approval(s) associated with this letter as shown below on this same web page, I do hereby declare that I do not have and will not have any financial interest in any company manufacturing or distributing the referenced product(s), nor do I have or will have any financial interest with any other entity involved in the approval process of the referenced product(s).

Sincerely,



Sealed 8-11-2020

Jalal Farooq, P.E.
CFO



AL-FAROOQ CORPORATION

CONSULTING ENGINEERS & PRODUCT DEVELOPMENT

August 12, 2020

Product Approval Administrator
Building Codes & Standards Section
Department of Business & Professional Regulations
1940 North Monroe Street, Suite 90
Tallahassee, FL 32399-2100

Ref: Engineer's Statement of Equivalency

To whom it may concern,

As the design engineer retained to prepare the product approval(s) associated with this letter as shown in the summary of products section below, the purpose of this letter is to state that some reference standards have changed. For the scope contained within the subject product approval, the requirements of required items within the new reference standard(s) is still met because:

- ASTM **E1886-02/05** are no longer applicable, and instead the reference standard is reduced to ASTM **E1886-12/13a**. A comparison of the older standard with the newer standard shows that they are equivalent, as relevant and applicable.
- ASTM **E1996-05/06/09** are no longer applicable, and instead the reference standards are ASTM **E1996-12a/14a/17**. A comparison of the older standard with the newer standard shows that they are equivalent, as relevant and applicable.

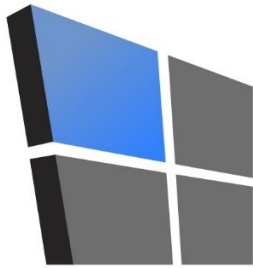
If you have any questions, please feel free to call our office.

Sincerely,



Sealed: 10/7/2020

Jalal Farooq, P.E.
CFO



AL-FAROOQ CORPORATION

CONSULTING ENGINEERS & PRODUCT DEVELOPMENT

PRODUCT APPROVAL EVALUATION RULE CHAPTER #61G20-3 • METHOD 1 OPTION D

FL 27001

Date: 07/21/2023

Detailed Product Description:

Manufacturer: MR-GLASS DOORS & WINDOWS MANUFACTURING, LLC.

Manufacturer Address: 8051 NW 79th PLACE, MEDLEY, FL 33166

Model Name: SERIES MG-500 ALUMINUM OUTSWING DOOR

Maximum Load: +120 PSF, -130 PSF (Large Missile Impact)

Installation Drawings # 18-47F

This product complies with the High Velocity Hurricane Zone (HVHZ) testing requirements.					
For maximum sizes, combination of span vs loads and anchor type refer to installation drawings.					
Comparative analysis used <input type="checkbox"/> Yes <input checked="" type="checkbox"/> No					
Mandatory Tests (Tested in accordance with AAMA 101/I.S.2/NAFS/TAS-202)					
TEST	DESCRIPTION	TEST LOCATION	TEST REPORT DATE	TEST REPORT #	TEST SEALED BY
ASTM E283	Air Infiltration Leakage	Fenestration Testing, Inc	05/10/2008	FTL-5554	Carlos S. Rionda, PE Marlin. D. Brinson, PE Marlin. D. Brinson, PE Constantin Bortes, PE Constantin Bortes, PE Michael Caldwell, PE
			09/09/2009	FTL-5992	
		05/03/2013	FTL-7242		
		06/13/2017	BW-ESW-17-020		
		05/17/2018	BW-ESW-18-004		
06/15/2021	BT-ESW-20-036B				
ASTM E331 OR ASTM 547 & TAS 202	Water Penetration	Fenestration Testing, Inc	09/09/2009	FTL-5992	Marlin. D. Brinson, PE Marlin. D. Brinson, PE Constantin Bortes, PE Michael Caldwell, PE
			05/03/2013	FTL-7242	
			05/17/2018	BW-ESW-18-004	
			06/15/2021	BT-ESW-20-036B	
ASTM E330 & TAS 202	Uniform Static Air Press.	Fenestration Testing, Inc	04/27/2008	FTL-5556	Carlos S. Rionda, PE Carlos S. Rionda, PE Marlin. D. Brinson, PE Marlin. D. Brinson, PE Constantin Bortes, PE Constantin Bortes, PE Michael Caldwell, PE
			05/10/2008	FTL-5554	
		09/09/2009	FTL-5992		
		05/03/2013	FTL-7242		
		06/13/2017	BW-ESW-17-020		
05/17/2018	BW-ESW-18-004				
06/15/2021	BT-ESW-20-036B				
AAMA 1304	Forced Entry Test	Fenestration Testing, Inc	05/10/2008	FTL-5554	Carlos S. Rionda, PE Marlin. D. Brinson, PE Marlin. D. Brinson, PE Constantin Bortes, PE Constantin Bortes, PE Michael Caldwell, PE
			09/09/2009	FTL-5992	
		05/03/2013	FTL-7242		
		06/13/2017	BW-ESW-17-020		
		05/17/2018	BW-ESW-18-004		
06/15/2021	BT-ESW-20-036B				

Supplemental Tests (Tested in accordance with TAS-201 and TAS-203)

TEST	DESCRIPTION	TEST LOCATION	TEST REPORT DATE	TEST REPORT #	TEST SEALED BY
FBC 1626.2 (TAS 201 & 203) ASTM E1886/1996	Large Missile Impact & Cyclic	Fenestration Testing Laboratory Blackwater Testing Inc.	04/27/2008 05/10/2008 09/09/2009 05/03/2013 06/13/2017 05/17/2018 06/15/2021	FTL-5556 FTL-5554 FTL-5992 FTL-7242 BW-ESW-17-020 BW-ESW-18-004 BT-ESW-20-036B	Carlos S. Rionda, PE Carlos S. Rionda, PE Marlin. D. Brinson, PE Marlin. D. Brinson, PE Constantin Bortes, PE Constantin Bortes, PE Michael Caldwell, PE

Under the limitations of the attached installation drawings, to the best of my knowledge and ability, the above product conforms to the requirements of the 2023 Florida Building Code.

Evaluation Report Engineer:

Jalal Farooq PE # 81223
Al-Farooq Corporation EB # 3538



Sealed: 8/1/2023

SERIES MG500

ALUMINUM OUTSWING ENTRANCE DOOR

SEE SHEET 2 FOR DESIGN LOAD CAPACITY OF SINGLE DOORS WITH OR WITHOUT TRANSOMS.

SEE SHEETS 3 & 4 FOR DESIGN LOAD CAPACITY OF DOUBLE DOORS WITH OR WITHOUT TRANSOMS.

SEE SHEET 5 FOR DESIGN LOAD CAPACITY OF SINGLE AND DOUBLE DOORS WITHOUT TRANSOMS WITH ADDITIONAL OPTIONS.

SEE SHEET 6 FOR DESIGN LOAD CAPACITY OF SINGLE DOORS WITHOUT TRANSOMS WITH HIGHER LOAD CAPACITY.

DOORS CAN ALSO BE USED WITH SERIES MG5000 (ES-8000), ES-8000T OR ES-9500 STOREFRONT SYSTEMS UNDER SEPARATE APPROVAL. DOOR MULLION ATTACHMENT, END LOAD AND CAPACITY TO BE REVIEWED BY BUILDING OFFICIAL.

DOORS WITH STANDARD, SADDLE AND MEDIUM THRESHOLDS ARE NOT APPROVED FOR INSTALLATIONS WHERE WATER INFILTRATION RESISTANCE IS REQUIRED. DOORS USING ES-9026 (HIGH THRESHOLD OPTION) ARE APPROVED FOR WATER INFILTRATION RESISTANCE. SEE SHEETS 8 & 9 FOR DETAILS.

THIS PRODUCT HAS BEEN DESIGNED AND TESTED TO COMPLY WITH THE REQUIREMENTS OF THE 2020 (7TH EDITION)/2023 (8TH EDITION) FLORIDA BUILDING CODE INCLUDING HIGH VELOCITY HURRICANE ZONE (HVHZ).

1BY OR 2BY WOOD BUCKS & BUCK FASTENERS BY OTHERS, MUST BE DESIGNED AND INSTALLED ADEQUATELY TO TRANSFER APPLIED PRODUCT LOADS TO THE BUILDING STRUCTURE.

ANCHORS SHALL BE CORROSION RESISTANT, SPACED AS SHOWN ON DETAILS AND INSTALLED PER MANUF'S INSTRUCTIONS. SPECIFIED EMBEDMENT TO BASE MATERIAL SHALL BE BEYOND WALL DRESSING OR STUCCO.

A LOAD DURATION INCREASE IS USED IN DESIGN OF ANCHORS INTO WOOD ONLY.

ALL SHIMS TO BE HIGH IMPACT, NON-METALLIC AND NON-COMPRESSIBLE.

MATERIALS INCLUDING BUT NOT LIMITED TO STEEL/METAL SCREWS, THAT COME INTO CONTACT WITH OTHER DISSIMILAR MATERIALS SHALL MEET THE REQUIREMENTS OF THE 2020/2023 FLORIDA BLDG. CODE & ADOPTED STANDARDS.

THIS PRODUCT APPROVAL IS GENERIC AND DOES NOT PROVIDE INFORMATION FOR A SITE SPECIFIC PROJECT, i.e. LIFE SAFETY OF THIS PRODUCT, ADEQUACY OF STRUCTURE RECEIVING THIS PRODUCT AND SEALING AROUND OPENING FOR WATER INFILTRATION RESISTANCE ETC. CONDITIONS NOT SHOWN IN THIS DRAWING ARE TO BE ANALYZED SEPARATELY, AND TO BE REVIEWED BY BUILDING OFFICIAL.

DESIGN LOADS SHOWN ARE BASED ON 'ALLOWABLE STRESS DESIGN (ASD)'.

MANUFACTURER'S LABEL SHALL BE LOCATED ON A READILY VISIBLE LOCATION IN ACCORDANCE WITH SECTION 1709.9.3 OF FLORIDA BUILDING CODE. LABELING TO COMPLY WITH SECTION 1709.9.2.

GLASS D.L.O. DIMS.

D.L.O. HEIGHT (DOOR) = FRAME HEIGHT - 15.250" (STD. THRESHOLD)
D.L.O. HEIGHT (DOOR) = FRAME HEIGHT - 15.625" (SADDLE THRESHOLD)
D.L.O. HEIGHT (DOOR) = FRAME HEIGHT - 15.750" (MED. & HIGH THRESHOLDS)
D.L.O. WIDTH (DOOR) = FRAME WIDTH - 14.0625"

D.L.O. HEIGHT (ES-9500 TRANSOM) = TRANSOM HEIGHT - 5"
D.L.O. WIDTH (ES-9500 TRANSOM) = FRAME WIDTH - 7"

D.L.O. HEIGHT (ES-8000 TRANSOM) = TRANSOM HEIGHT - 5.5"
D.L.O. WIDTH (ES-8000 TRANSOM) = FRAME WIDTH - 5.5"

D.L.O. HEIGHT (ES-8000T TRANSOM) = TRANSOM HEIGHT - 5.5"
D.L.O. WIDTH (ES-8000T TRANSOM) = FRAME WIDTH - 5.5"

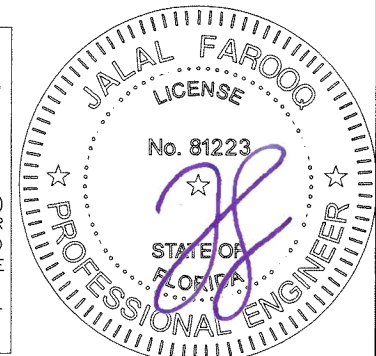
LEAF HEIGHT = FRAME HEIGHT - 2.938" (STD. THRESHOLD)
LEAF HEIGHT = FRAME HEIGHT - 2.563" (SADDLE THRESHOLD)
LEAF HEIGHT = FRAME HEIGHT - 2.438" (MED. & HIGH THRESHOLDS)
LEAF WIDTH = FRAME WIDTH - 5.188"

THESE DOORS ARE RATED FOR LARGE & SMALL MISSILE IMPACT. SHUTTERS ARE NOT REQUIRED.

NOTE:
VERIFY COMPLIANCE WITH EGRESS LIMITATIONS WHERE REQUIRED.

Sealed: 8/1/2023 FL #27001

A- CONTRACTOR TO BE RESPONSIBLE FOR THE SELECTION, PURCHASE AND INSTALLATION OF THIS PRODUCT BASED ON THIS PRODUCT EVALUATION PROVIDED HE/SHE DOES NOT DEVIATE FROM THE CONDITIONS DETAILED ON THIS DOCUMENT.
B- THIS PRODUCT EVALUATION DOCUMENT WILL BE CONSIDERED INVALID IF ALTERED BY ANY MEANS.
C- SITE SPECIFIC PROJECTS SHALL BE PREPARED BY A FLORIDA REGISTERED ENGINEER OR ARCHITECT WHICH WILL BECOME THE ENGINEER OF RECORD (E.O.R.) FOR THE PROJECT AND WHO WILL BE RESPONSIBLE FOR THE PROPER USE OF THE P.E.D. ENGINEER OF RECORD, ACTING AS A DELEGATED ENGINEER TO THE P.E.D. ENGINEER SHALL SUBMIT TO THIS LATTER THE SITE SPECIFIC DRAWINGS FOR REVIEW.
D- THIS P.E.D. SHALL BEAR THE DATE AND ORIGINAL SEAL AND SIGNATURE OF THE PROFESSIONAL ENGINEER OF RECORD THAT PREPARED IT.



AL-FAROOQ CORPORATION
ENGINEERS & PRODUCT DEVELOPMENT
9360 SUNSET DRIVE, SUITE 220
MIAMI, FLORIDA 33173 (C.A.N. 3538)
TEL. (305) 264-8100 FAX. (305) 262-6978

SERIES-MG500 ALUM OUTSWING FRENCH DOOR (L.M.I.)
MR-GLASS DOORS & WINDOWS MANUFACTURING, LLC
8051 N.W. 79th Place
Medley, FL 33166
Tel. (305) 764-3963 Fax. (305) 470-8285

no.	date	description	by
A	06.14.18	GENERAL REVISION	
B	04.30.20	GENERAL REVISION	
C	07.23.20	UPDATED TO 2020 FBC	
D	07.21.23	UPDATED TO 2023 FBC	

date: 04-20-18
scale: 1/2" = 1'-0"
dr. by: TARIQ
chk. by:

drawing no.
18-47F

sheet 1 of 18

COMP-ANL\18-47F-MG

**SINGLE DOORS WITH OR WITHOUT TRANSOMS
USE CHARTS AS FOLLOWS
FOR THE CORRESPONDING DOOR SIZE**

- FOR GLASS TYPE, LOCK AND HINGE OPTIONS OBTAIN LOAD CAPACITIES FROM TABLE #D1.
- SELECT THRESHOLD TYPE TO BE USED.
WATER RATED HIGH THRESHOLD ITEM #E2B (ES-9026) +120.0 PSF
NON WATER RATED MEDIUM THRESHOLD ITEM #E2D (ES-9000-036) +120.0 PSF
NON WATER RATED (STANDARD THRESHOLD +90.0 PSF)
NON WATER RATED (SADDLE THRESHOLD +80.0 PSF)
- FOR JAMB ANCHORS TYPE/SHIMSPACE OBTAIN LOAD CAPACITIES FROM TABLE #J1.
- TRANSOMS FOR SINGLE DOORS ARE LIMITED TO ±90.0 PSF *
SEE ELEVATION AT RIGHT FOR TRANSOM END ANCHORS.
THE LOWEST VALUES FROM STEPS 1, 2, 3 AND 4 WILL GOVERN.

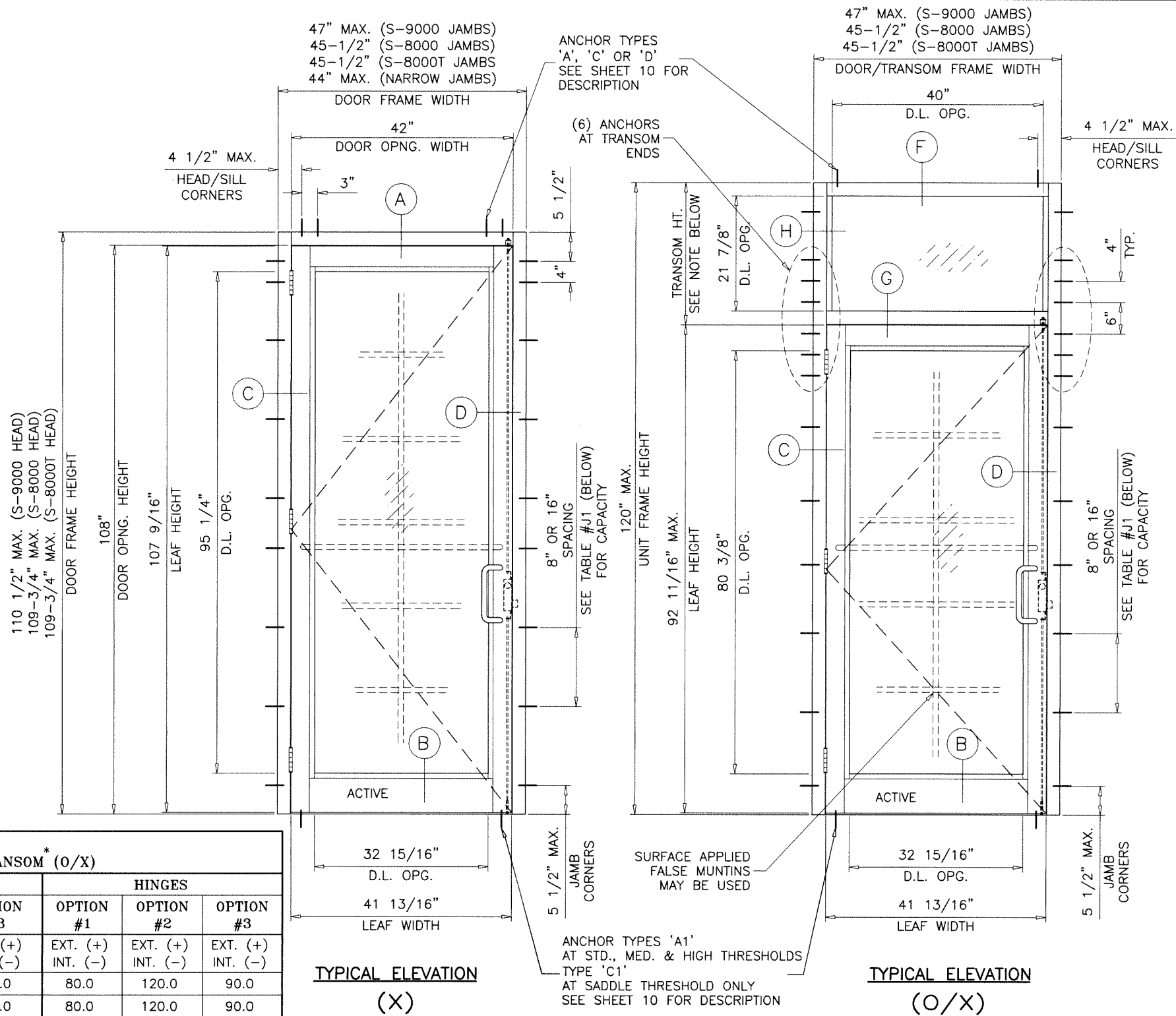
TABLE #D1		DOORS LOAD CAPACITY - PSF SINGLE DOORS WITHOUT TRANSOM (X) OR WITH TRANSOM* (O/X)								
DOOR DIMS.		GLASS			LOCKS			HINGES		
		TYPE 'A'	TYPE 'B'/'C'	TYPE 'A.2'/'C.1'/'D'	OPTION #1	OPTION #2/2.1	OPTION #3	OPTION #1	OPTION #2	OPTION #3
DOOR OPG. WIDTH	DOOR OPG. HEIGHT	EXT. (+) INT. (-)	EXT. (+) INT. (-)	EXT. (+) INT. (-)	EXT. (+) INT. (-)	EXT. (+) INT. (-)	EXT. (+) INT. (-)	EXT. (+) INT. (-)	EXT. (+) INT. (-)	EXT. (+) INT. (-)
42"	96"	80.0	120.0	90.0	80.0	90.0	120.0	80.0	120.0	90.0
42"	108"	80.0	120.0	90.0	80.0	90.0	120.0	80.0	120.0	90.0

SINGLE DOORS WITH SADDLE THRESHOLD LIMITED TO +80.0, -80.0 PSF

SEE SHEET 7 FOR GLASS TYPES DESCRIPTION
SEE SHEET 16 FOR LOCKS AND HINGES DESCRIPTION

TABLE #J1		JAMB ANCHORS LOAD CAPACITY - PSF (NOT APPLICABLE AT TRANSOM ENDS SEE NOTE 4) SINGLE DOORS WITHOUT TRANSOM (X) OR WITH TRANSOM (O/X)													
DOOR DIMS.		1/4" SHIM SPACE						3/8" SHIM SPACE				1/2" SHIM SPACE			
		SPACING AT 16" O.C.		SPACING AT 8" O.C.		AT 16" O.C.		AT 8" O.C.		AT 16" O.C.		AT 8" O.C.			
		ANCHOR 'A'	ANCHOR 'C'	ANCHOR 'D'	ANCHOR 'A'	ANCHOR 'C'	ANCHOR 'D'	ANCHOR 'A'	ANCHOR 'C'	ANCHOR 'A'	ANCHOR 'C'	ANCHOR 'A'	ANCHOR 'C'		
DOOR OPG. WIDTH	DOOR OPG. HEIGHT	EXT.(+) INT.(-)	EXT.(+) INT.(-)	EXT.(+) INT.(-)	EXT.(+) INT.(-)	EXT.(+) INT.(-)	EXT.(+) INT.(-)	EXT.(+) INT.(-)	EXT.(+) INT.(-)	EXT.(+) INT.(-)	EXT.(+) INT.(-)	EXT.(+) INT.(-)	EXT.(+) INT.(-)	EXT.(+) INT.(-)	EXT.(+) INT.(-)
35"	108"	112.5	120.0	120.0	120.0	120.0	120.0	82.5	82.5	120.0	120.0	64.2	92.7	120.0	120.0
42"	108"	95.7	111.0	120.0	120.0	120.0	120.0	70.2	100.0	120.0	120.0	54.6	78.9	109.2	120.0

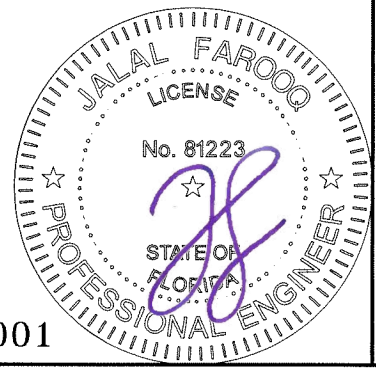
SEE SHEET 10 FOR ANCHOR DESCRIPTION



af c
AL-FAROOQ CORPORATION
ENGINEERS & PRODUCT DEVELOPMENT
9360 SUNSET DRIVE, SUITE 220
MIAMI, FLORIDA 33173 (C.A.N. 3538)
TEL. (305) 264-8100 FAX. (305) 262-6978
COMP-ANL\18-47F-MG

SERIES-MG500 ALUM OUTSWING FRENCH DOOR (L.M.I.)
MR-GLASS DOORS & WINDOWS MANUFACTURING, LLC
8051 N.W. 79th Place
Medley, FL 33166
Tel. (305) 764-3963 Fax. (305) 470-8285

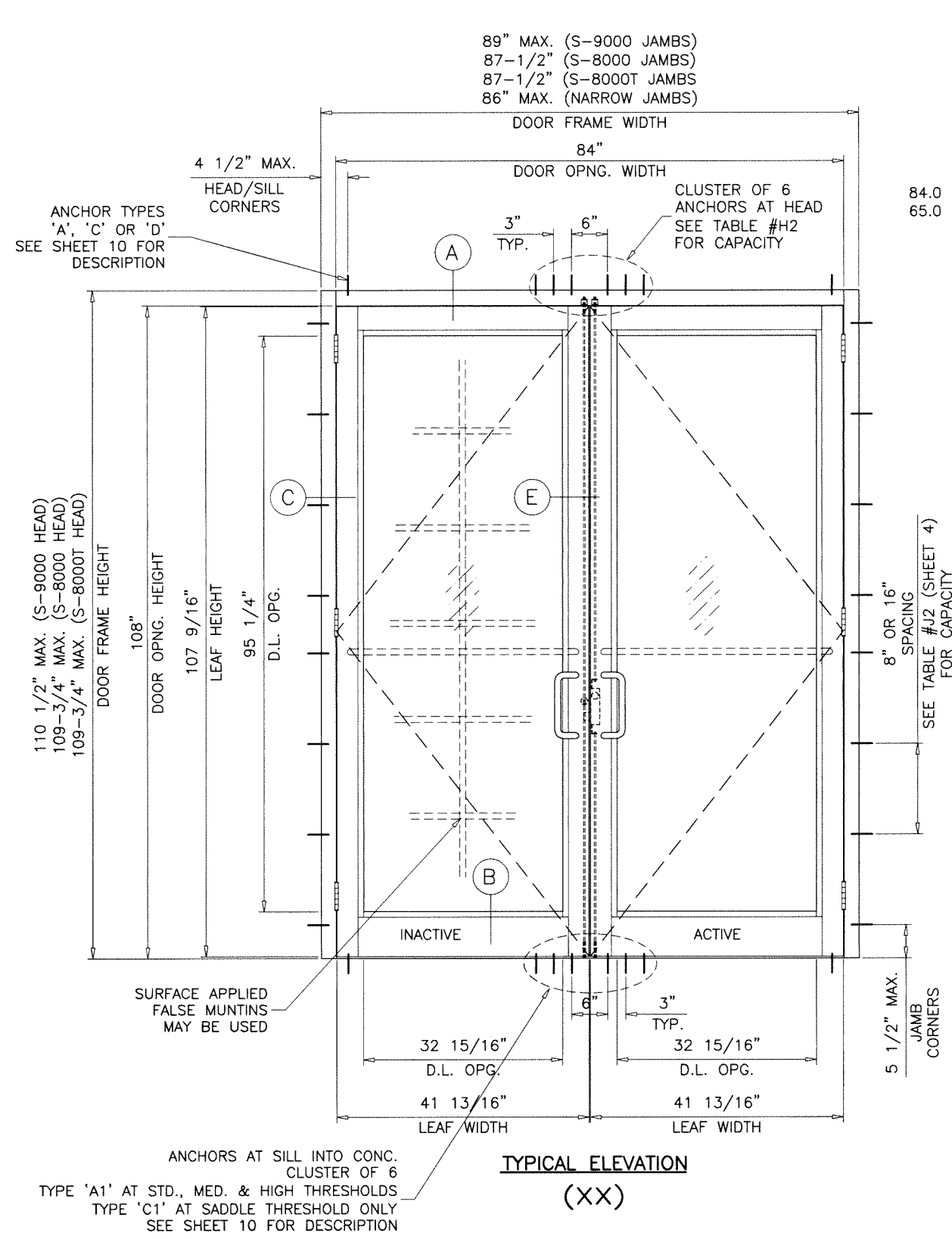
revisions:	no	date	by	description
date:	04-20-18	scale:	1/2" = 1'-0"	dr. by: TARIO
chk. by:				
drawing no.	18-47F			
sheet	2 of 18			



FL #27001

NOTE:
GLASS CAPACITIES ON THIS SHEET ARE
BASED ON ASTM E1300-09 (3 SEC. GUSTS)
AND FLORIDA BUILDING COMMISSION
DECLARATORY STATEMENT DCA05-DEC-219

Sealed: 8/1/2023



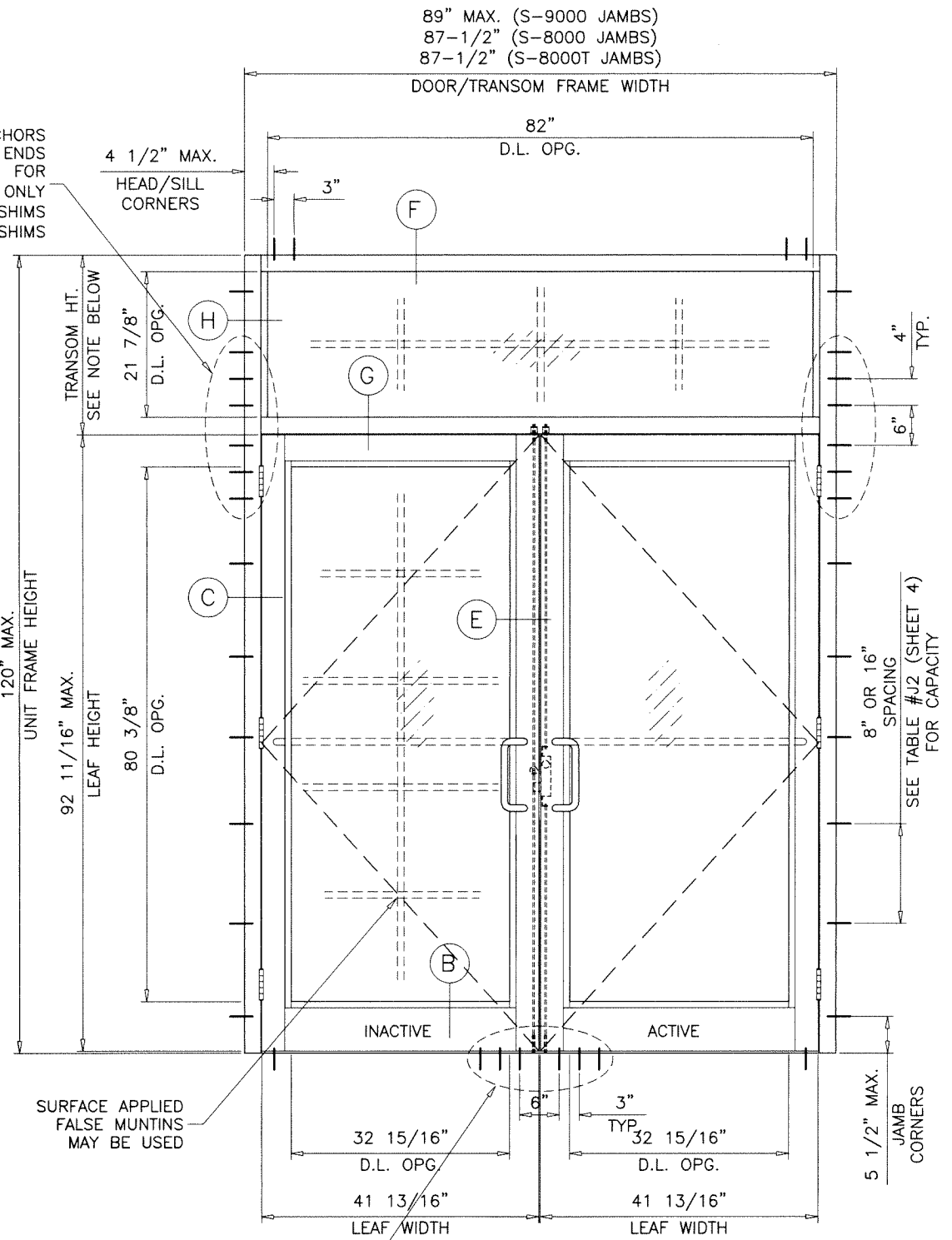
(6) ANCHORS AT TRANSOM ENDS
LIMIT MAX. LOADS FOR ANCHORS TYPE 'A' ONLY
84.0 PSF WITH 3/8\"/>

8\"/>

ANCHORS AT SILL INTO CONC. CLUSTER OF 6
TYPE 'A1' AT STD., MED. & HIGH THRESHOLDS
TYPE 'C1' AT SADDLE THRESHOLD ONLY
SEE SHEET 10 FOR DESCRIPTION

TYPICAL ELEVATION (XX)

SEE CHARTS ON SHEET 4 FOR DOUBLE DOOR AND TRANSOM LOAD CAPACITY



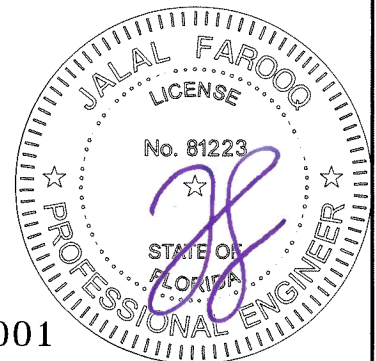
89\"/>

TRANSOM HT. SEE NOTE BELOW
21 7/8\"/>

8\"/>

TYPICAL ELEVATION (O/XX)

TRANSOM HEIGHTS:
27\"/>



FL #27001

Sealed: 8/1/2023

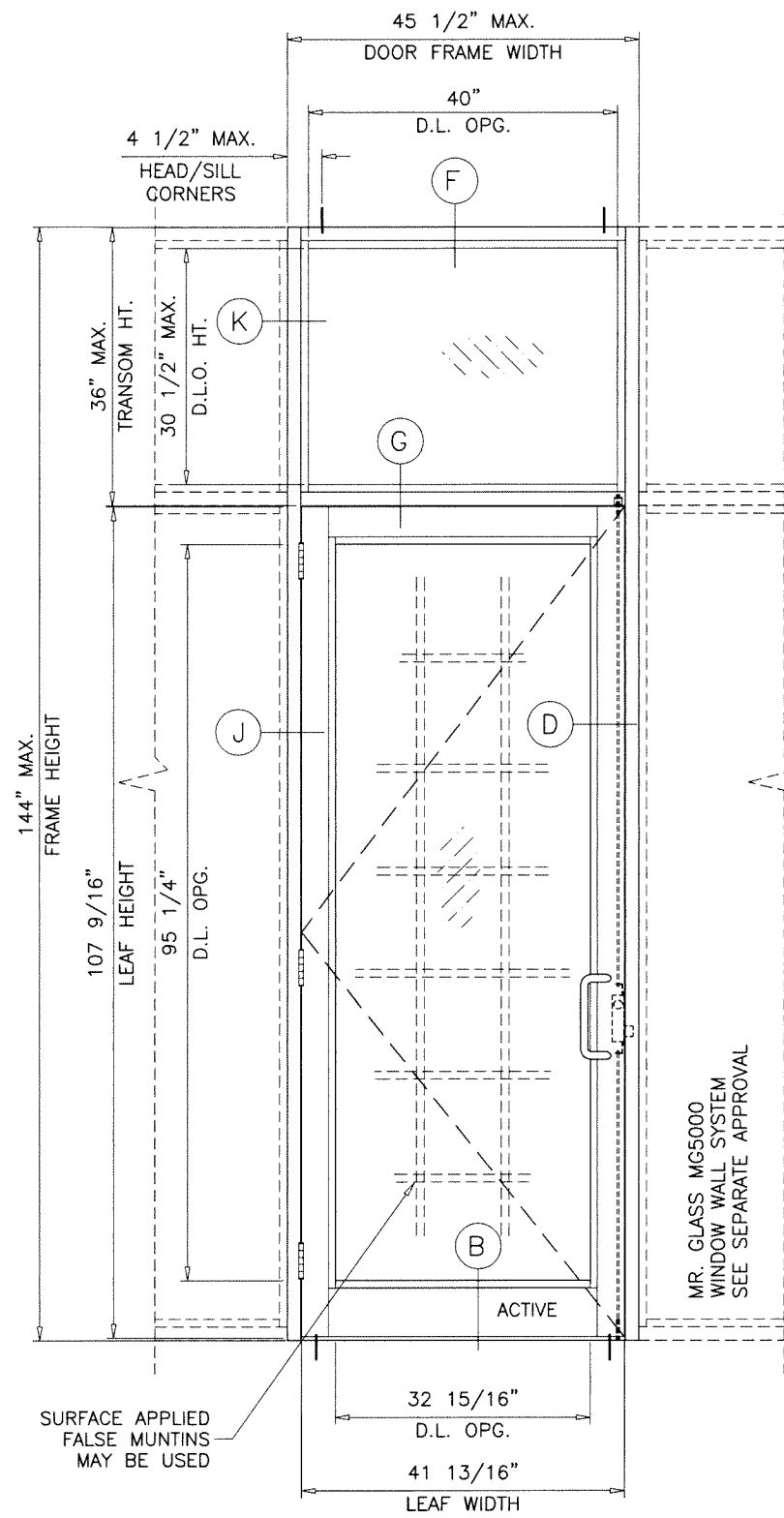
af c
AL-FAROOQ CORPORATION
ENGINEERS & PRODUCT DEVELOPMENT
9360 SUNSET DRIVE, SUITE 220 (C.A.N. 3538)
MIAMI, FLORIDA 33173
TEL. (305) 264-8100 FAX. (305) 262-6978
COMP-ANL \ 18-47F-MG

SERIES-MG500 ALUM OUTSWING FRENCH DOOR (L.M.I.)
MR-GLASS DOORS & WINDOWS MANUFACTURING, LLC
8051 N.W. 79th Place
Medley, FL. 33166
Tel. (305) 764-3963 Fax. (305) 470-8285

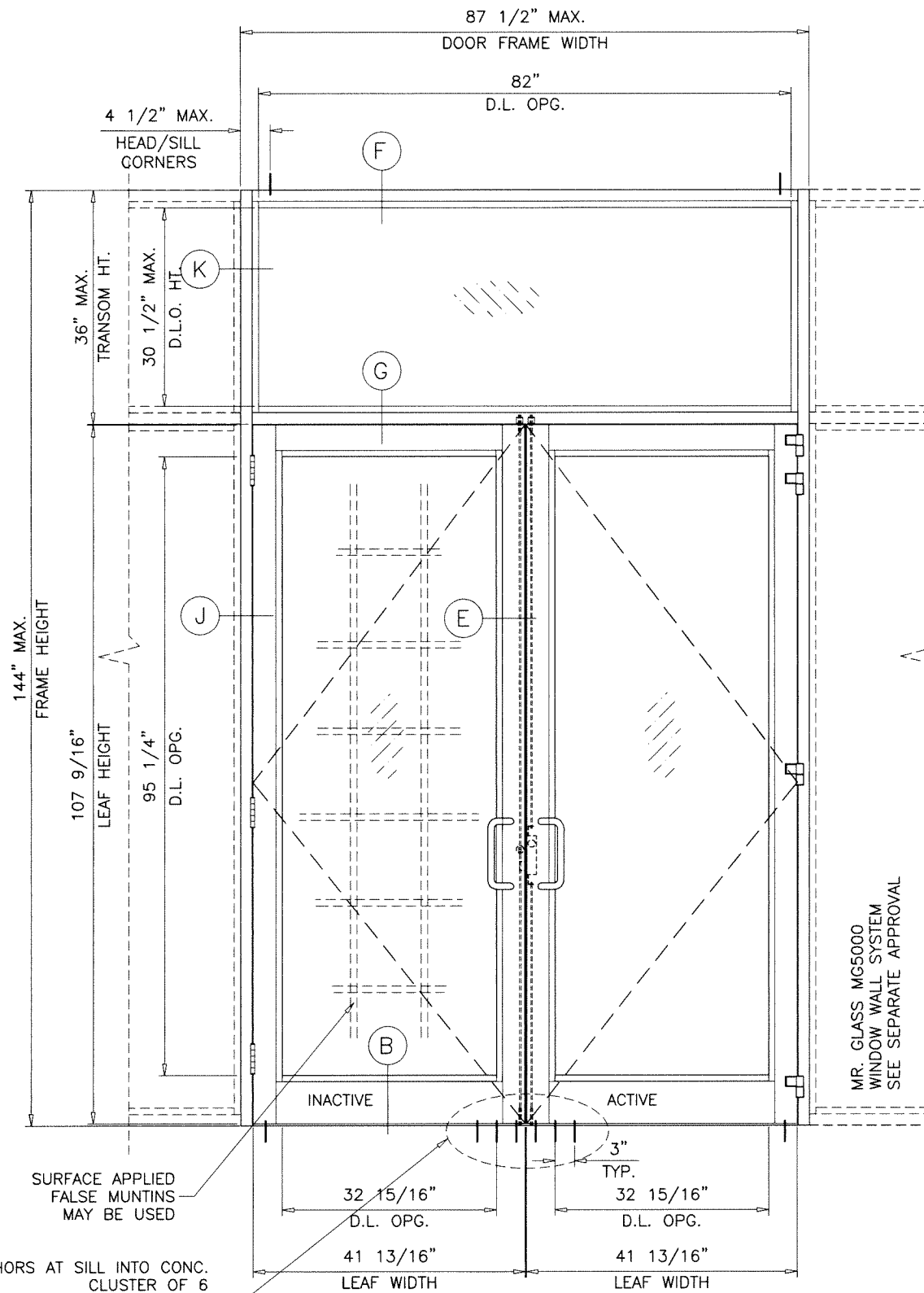
no	date	by	description

date: 04-20-18	scale: 1/2" = 1'-0"
dr. by: TARIQ	chk. by:

drawing no.
18-47F
sheet 3 of 18



TYPICAL ELEVATION
SINGLE (O/X)
(ES-8000 TRANSOM)

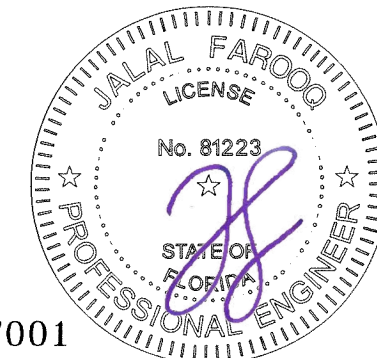


TYPICAL ELEVATION
DOUBLE (O/XX)
(ES-8000 TRANSOM)

ANCHORS AT SILL INTO CONC.
 CLUSTER OF 6
 TYPE 'A1' AT STD., MED. & HIGH THRESHOLDS
 TYPE 'C1' AT SADDLE THRESHOLD ONLY
 SEE SHEET 10 FOR DESCRIPTION

SINGLE (O/X) AND DOUBLE (O/XX) DOORS WITH 36" MAX. TRANSOM HEIGHTS
 APPROVED WITH MG5000 WINDOW WALL SYSTEM ONLY
 LIMIT MAX. DESIGN LOADS TO ±90.0 PSF
 GLASS AT TRANSOM TYPE 'B' ONLY

Sealed: 8/1/2023



FL #27001

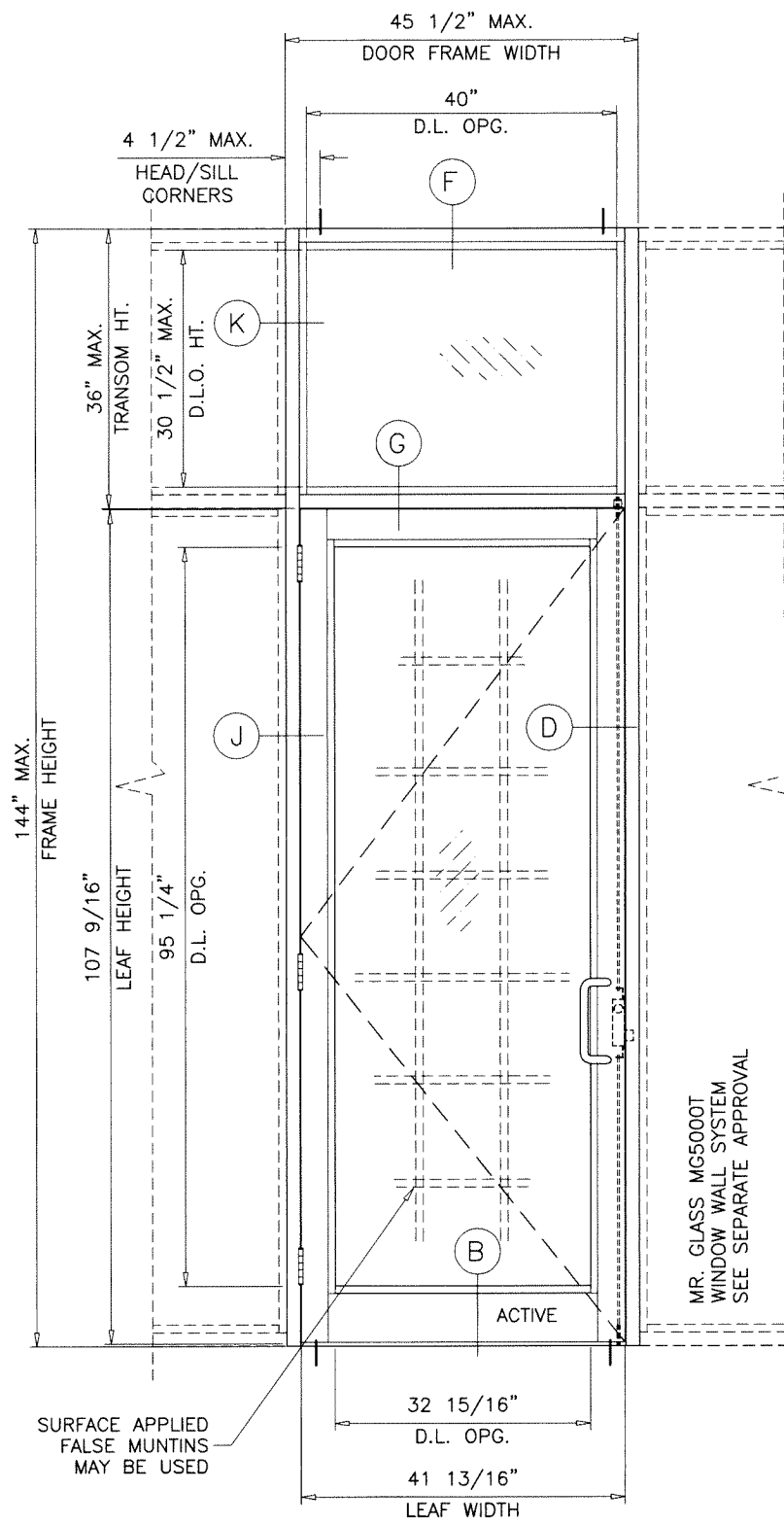
af c
AL-FAROOQ CORPORATION
 ENGINEERS & PRODUCT DEVELOPMENT
 9360 SUNSET DRIVE, SUITE 220 (C.A.N. 3538)
 MIAMI, FLORIDA 33173
 TEL. (305) 264-8100 FAX. (305) 262-6978
 COMP-ANL \ 18-47F-MG

SERIES-MG5000 ALUM OUTSWING FRENCH DOOR (L.M.I.)
MR-GLASS DOORS & WINDOWS MANUFACTURING, LLC
 8051 N.W. 79th Place
 Medley, FL. 33166
 Tel. (305) 764-3963 Fax. (305) 470-8285

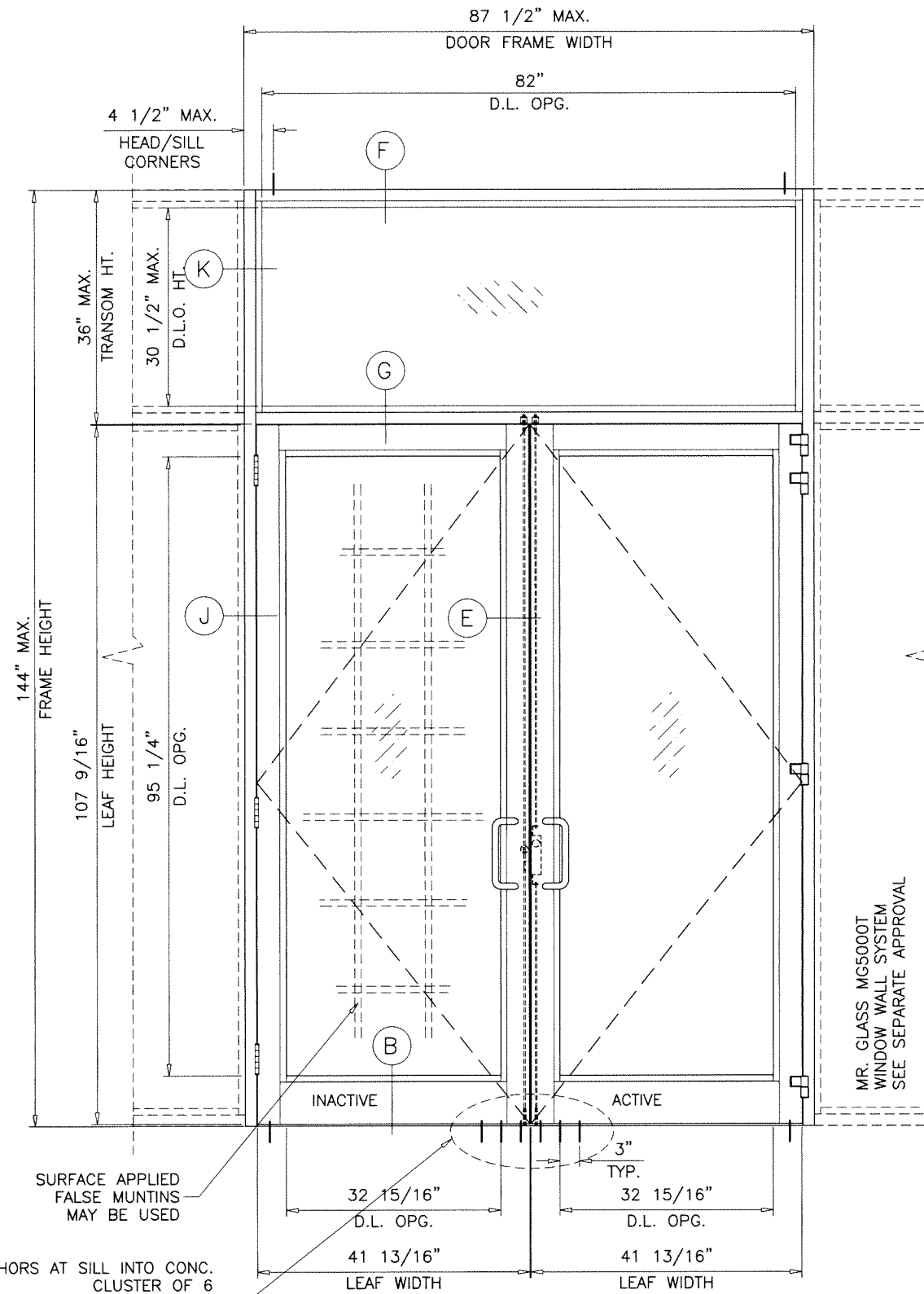
no	date	by	description

date: 04-20-18
 scale: 1/2" = 1'-0"
 dr. by: TARIQ
 chk. by:

drawing no.
18-47F
 sheet 3.1 of 18



TYPICAL ELEVATION
SINGLE (O/X)
(ES-8000T TRANSOM)



TYPICAL ELEVATION
DOUBLE (O/XX)
(ES-8000T TRANSOM)

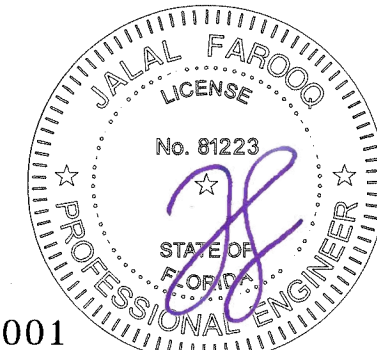
MR. GLASS MG5000T
 WINDOW WALL SYSTEM
 SEE SEPARATE APPROVAL

MR. GLASS MG5000T
 WINDOW WALL SYSTEM
 SEE SEPARATE APPROVAL

ANCHORS AT SILL INTO CONC.
 CLUSTER OF 6
 TYPE 'A1' AT STD., MED. & HIGH THRESHOLDS
 TYPE 'C1' AT SADDLE THRESHOLD ONLY
 SEE SHEET 10 FOR DESCRIPTION

SINGLE (O/X) AND DOUBLE (O/XX) DOORS WITH 36" MAX. TRANSOM HEIGHTS
 APPROVED WITH ES-8000T WINDOW WALL SYSTEM ONLY
 MAX. DESIGN LOADS TO ±75.0 PSF (UNREINFORCED HORIZONTAL)
 MAX. DESIGN LOADS TO +80.0, -90.0 PSF (REINFORCED HORIZONTAL)
 SEE SHEET 12 FOR REINFORCING DETAIL
 GLASS AT TRANSOM TYPE 'E' & 'E-R' ONLY

Sealed: 8/1/2023



FL #27001

af c
AL-FAROOQ CORPORATION
 ENGINEERS & PRODUCT DEVELOPMENT
 9360 SUNSET DRIVE, SUITE 220 (C.A.N. 3538)
 MIAMI, FLORIDA 33173
 TEL. (305) 264-8100 FAX. (305) 262-6978
 COMP-ANL \ 18-47F-MG

SERIES-MG500 ALUM OUTSWING FRENCH DOOR (L.M.I.)
MR-GLASS DOORS & WINDOWS MANUFACTURING, LLC
 8051 N.W. 79th Place
 Medley, FL. 33166
 Tel. (305) 764-3963 Fax. (305) 470-8285

no	date	by	description

date: 04-20-18
 scale: 1/2"=1'-0"
 dr. by: TARIQ
 chk. by:

drawing no.
18-47F
 sheet 3.2 of 18

**DOUBLE DOORS WITH OR WITHOUT TRANSOMS
USE CHARTS AS FOLLOWS
FOR THE CORRESPONDING DOOR SIZE**

- 1- FOR GLASS TYPE, LOCK AND HINGE OPTIONS
OBTAIN LOAD CAPACITIES FROM TABLE #D2.
- 2- SELECT THRESHOLD TYPE TO BE USED.
WATER RATED HIGH THRESHOLD ITEM #E2B (ES-9026) +90.0 PSF
NON WATER RATED MEDIUM THRESHOLD ITEM #E2D (ES-9000-036) +90.0 PSF
NON WATER RATED (STANDARD THRESHOLD +90.0 PSF)
NON WATER RATED (SADDLE THRESHOLD +80.0 PSF)
- 3- FOR JAMB ANCHORS TYPE/SHIMSPACE OBTAIN
LOAD CAPACITIES FROM TABLE #J2.
SEE ELEVATION ON SHEET 3 FOR TRANSOM END ANCHORS.
(MIN. 6 ANCHORS REQD. IN ALL CASES)
- 4- FOR HEAD ANCHORS, TYPE/SHIMSPACE OBTAIN
LOAD CAPACITIES FROM TABLE #H2.
THE LOWEST VALUES FROM STEPS 1, 2, 3
AND 4 WILL GOVERN.

TABLE #D2		DOORS LOAD CAPACITY - PSF DOUBLE DOOR WITHOUT TRANSOM (XX) OR WITH TRANSOM (O/XX)								
DOOR DIMS.		GLASS			LOCKS				HINGES	
		TYPE 'A'	TYPE 'B'/'C'	TYPE 'A.2'/'C.1'/'D'	OPTION #1	OPTION #2	OPTION #2.1	OPTION #3	OPTION #1	OPTION #2/3
DOOR OPG. WIDTH	DOOR OPG. HEIGHT	EXT. (+) INT. (-)	EXT. (+) INT. (-)	EXT. (+) INT. (-)	EXT. (+) INT. (-)	EXT. (+) INT. (-)	EXT. (+) INT. (-)	EXT. (+) INT. (-)	EXT. (+) INT. (-)	EXT. (+) INT. (-)
84"	96"	80.0	90.0	90.0	80.0	90.0	90.0	90.0	80.0	90.0
84"	108"	80.0	90.0	90.0	80.0	80.0	90.0	80.0	80.0	90.0

DOUBLE DOORS WITH SADDLE THRESHOLD LIMITED TO +80.0, -80.0 PSF
SEE SHEET 7 FOR GLASS TYPES DESCRIPTION
SEE SHEET 16 FOR LOCKS AND HINGES DESCRIPTION

TABLE #J2		JAMB ANCHORS LOAD CAPACITY - PSF (NOT APPLICABLE AT TRANSOM ENDS SEE NOTE 3) DOUBLE DOORS WITHOUT TRANSOM (XX) OR WITH TRANSOM (O/XX)													
DOOR DIMS.		1/4" SHIM SPACE						3/8" SHIM SPACE				1/2" SHIM SPACE			
		SPACING AT 16" O.C.		SPACING AT 8" O.C.		AT 16" O.C.		AT 8" O.C.		AT 16" O.C.		AT 8" O.C.			
DOOR OPG. WIDTH	DOOR OPG. HEIGHT	ANCHOR 'A'	ANCHOR 'C'	ANCHOR 'D'	ANCHOR 'A'	ANCHOR 'C'	ANCHOR 'D'	ANCHOR 'A'	ANCHOR 'C'	ANCHOR 'A'	ANCHOR 'C'	ANCHOR 'A'	ANCHOR 'C'	ANCHOR 'A'	ANCHOR 'C'
70"	108"	90.0	90.0	90.0	90.0	90.0	90.0	88.0	90.0	90.0	90.0	68.4	90.0	90.0	90.0
84"	108"	90.0	88.7	90.0	90.0	90.0	90.0	74.2	88.7	90.0	90.0	57.7	83.3	90.0	90.0

SEE SHEET 10 FOR ANCHOR DESCRIPTION

TABLE #H2		HEAD ANCHORS LOAD CAPACITY - PSF DOUBLE DOOR WITHOUT TRANSOM (XX) OR WITH TRANSOM (O/XX)							
DOOR DIMS.		1/4" SHIM SPACE			3/8" SHIM SPACE		1/2" SHIM SPACE		
		ANCHOR TYPE 'A'	ANCHOR TYPE 'C'	ANCHOR TYPE 'D'	ANCHOR TYPE 'A'	ANCHOR TYPE 'C'	ANCHOR TYPE 'A'	ANCHOR TYPE 'C'	
DOOR OPG. WIDTH	DOOR OPG. HEIGHT	EXT. (+) INT. (-)	EXT. (+) INT. (-)	EXT. (+) INT. (-)	EXT. (+) INT. (-)	EXT. (+) INT. (-)	EXT. (+) INT. (-)	EXT. (+) INT. (-)	
70"	96"	90.0	90.0	90.0	85.8	90.0	66.7	90.0	
84"	96"	90.0	90.0	90.0	72.3	90.0	56.2	81.2	
70"	108"	90.0	90.0	90.0	76.5	90.0	59.5	85.9	
84"	108"	90.0	90.0	90.0	64.4	90.0	50.1	72.3	

SEE SHEET 10 FOR ANCHOR DESCRIPTION

SILL ANCHORS DESIGN LOAD CAPACITY ALL SIZES = ± 90.0 PSF

Sealed: 8/1/2023



NOTE:
GLASS CAPACITIES ON THIS SHEET ARE
BASED ON ASTM E1300-09 (3 SEC. GUSTS)
AND FLORIDA BUILDING COMMISSION
DECLARATORY STATEMENT DCA05-DEC-219

FL #27001

afc
AL-FAROOQ CORPORATION
ENGINEERS & PRODUCT DEVELOPMENT
9360 SUNSET DRIVE, SUITE 220 (C.A.N. 3538)
MIAMI, FLORIDA 33173 FAX. (305) 262-6978
TEL. (305) 264-8100 COMP-ANL \ 18-47F-MG

SERIES-MCS500 ALUMI ODTSSWANG FREBHFHDOOR(LMM).
MR-GLASS DOORS & WINDOWS MANUFACTURING, LLC
8051 N.W. 79th Place
Medley, FL. 33166
Tel. (305) 764-3963 Fax. (305) 470-8285

revisions:	no	date	by	description			
date:	04-20-18	scale:	1/2"=1'-0"	dr. by:	TARIO	chk. by:	
drawing no.	18-47F			sheet	4 of 18		

**SINGLE OR DOUBLE DOORS WITHOUT TRANSOMS
USE CHARTS AS FOLLOWS
FOR THE CORRESPONDING DOOR SIZE**

- FOR GLASS TYPE, LOCK AND HINGE OPTIONS OBTAIN LOAD CAPACITIES FROM TABLE #D3.
 - THESE DOORS APPROVED WITH STD. THRESHOLD ONLY.
 - FOR JAMB ANCHORS TYPE/SHIMSPACE OBTAIN LOAD CAPACITIES FROM TABLE #J3.
 - FOR HEAD ANCHORS, TYPE/SHIMSPACE OBTAIN LOAD CAPACITIES FROM TABLE #H3.
- THE LOWEST VALUES FROM STEPS 1, 3 AND 4 WILL GOVERN.

TABLE #D3 DOORS LOAD CAPACITY - PSF SINGLE(X) OR DOUBLE(X) DOORS WITHOUT TRANSOM				
SINGLE DOOR(X) DIMS.		DOUBLE DOOR(X) DIMS.		
		GLASS TYPE 'A.1'	LOCKS OPTION #3	HINGES OPTION #2.1
DOOR OPG. WIDTH	DOOR OPG. HEIGHT	DOOR OPG. WIDTH	DOOR OPG. HEIGHT	EXT. (+) INT. (-)
35-1/4"	96-1/2"	70-1/2"	96-1/2"	105.3

SEE SHEET 7 FOR GLASS TYPES DESCRIPTION
SEE SHEET 16 FOR LOCKS AND HINGES DESCRIPTION

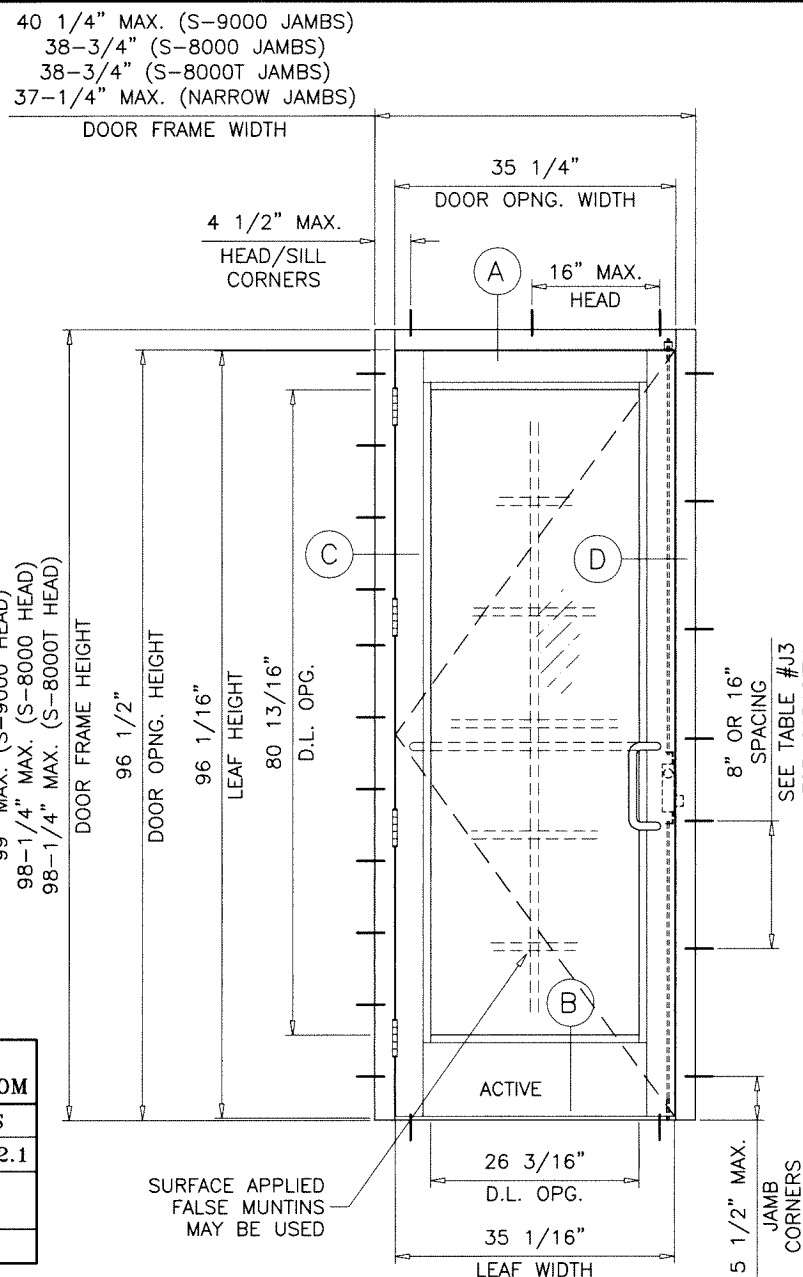
TABLE #J3 JAMB ANCHORS LOAD CAPACITY - PSF SINGLE(X) DOUBLE(X) DOORS WITHOUT TRANSOM										
SINGLE DOOR(X) DIMS.		DOUBLE DOOR(X) DIMS.		1/4" SHIM SPACE		3/8" SHIM SPACE		1/2" SHIM SPACE		
				SPACING AT 16" O.C.		AT 16"		AT 8" O.C.		AT 16"
		ANCHOR 'A', 'C' & 'D'		ANCHOR 'A'	ANCHOR 'C'	ANCHOR 'A' & 'C'	ANCHOR 'A'	ANCHOR 'C'	ANCHOR 'A' & 'C'	
DOOR OPG. WIDTH	DOOR OPG. HEIGHT	DOOR OPG. WIDTH	DOOR OPG. HEIGHT	EXT.(+) INT.(-)	EXT.(+) INT.(-)	EXT.(+) INT.(-)	EXT.(+) INT.(-)	EXT.(+) INT.(-)	EXT.(+) INT.(-)	
35-1/4"	96-1/2"	70-1/2"	96-1/2"	105.3	82.0	105.3	105.3	63.8	92.1	105.3

SEE SHEET 10 FOR ANCHOR DESCRIPTION

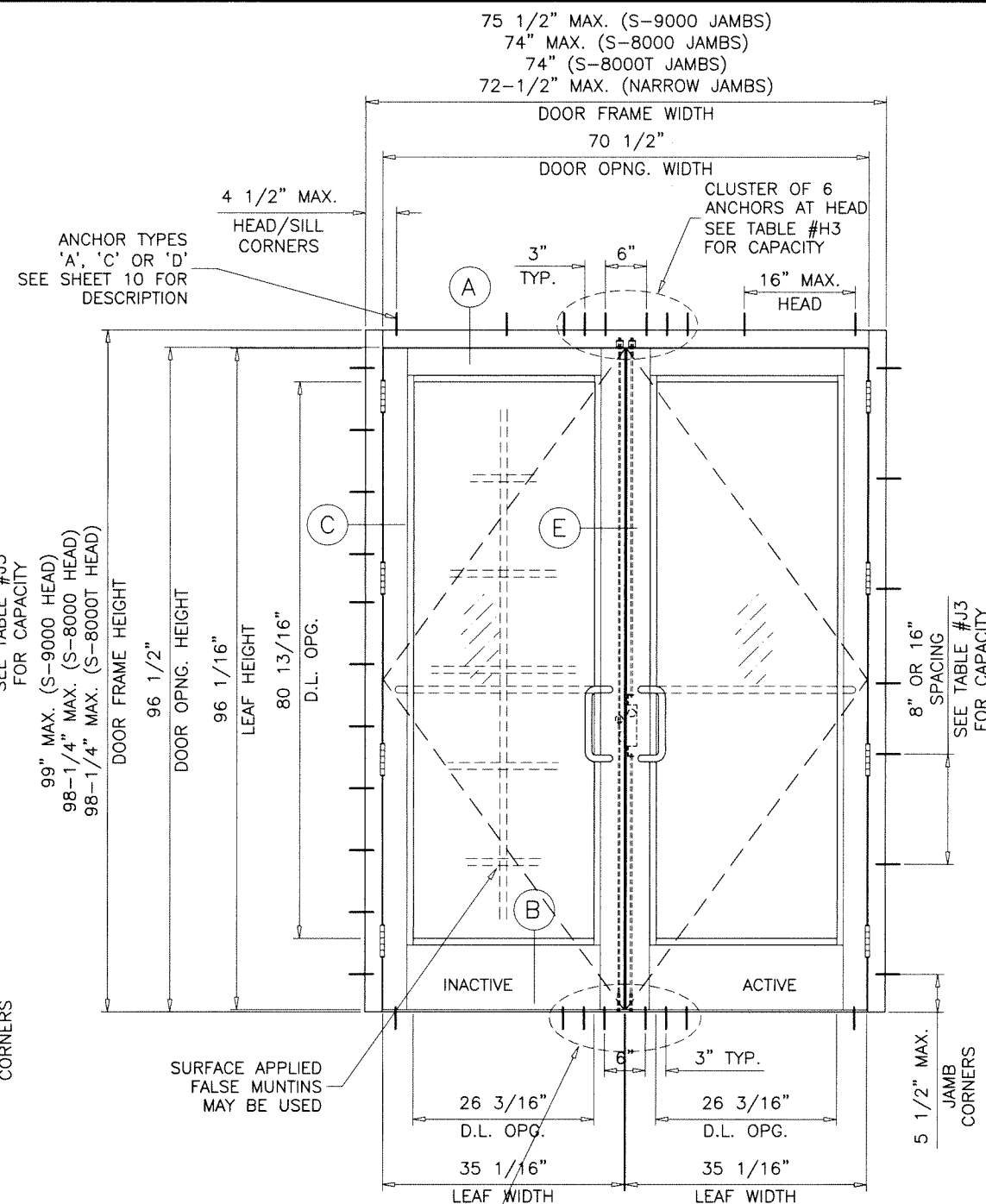
TABLE #H3 HEAD ANCHORS LOAD CAPACITY - PSF DOUBLE DOOR WITHOUT TRANSOM(X)							
DOOR DIMS.		1/4" SHIM SPACE		3/8" SHIM SPACE		1/2" SHIM SPACE	
		ANCHOR 'A', 'C' & 'D'		ANCHOR TYPE 'A'	ANCHOR TYPE 'C'	ANCHOR TYPE 'A'	ANCHOR TYPE 'C'
DOOR OPG. WIDTH	DOOR OPG. HEIGHT	EXT. (+) INT. (-)	EXT. (+) INT. (-)	EXT. (+) INT. (-)	EXT. (+) INT. (-)	EXT. (+) INT. (-)	EXT. (+) INT. (-)
70-1/2"	96-1/2"	105.3	98.9	105.3	76.9	105.3	

SEE SHEET 10 FOR ANCHOR DESCRIPTION

SILL ANCHORS DESIGN LOAD CAPACITY ALL SIZES = ± 105.3 PSF



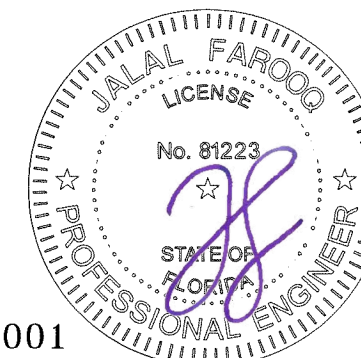
TYPICAL ELEVATION (X)



TYPICAL ELEVATION (XX)

NOTE:
GLASS CAPACITIES ON THIS SHEET ARE
BASED ON ASTM E1300-09 (3 SEC. GUSTS)
AND FLORIDA BUILDING COMMISSION
DECLARATORY STATEMENT DCA05-DEC-219

Sealed: 8/1/2023



FL #27001

af c
AL-FAROOQ CORPORATION
ENGINEERS & PRODUCT DEVELOPMENT
9360 SUNSET DRIVE, SUITE 220 (C.A.N. 3538)
MIAMI, FLORIDA 33173 TEL. (305) 264-8100 FAX. (305) 262-6978
COMP-ANL \ 18-47F-MG

SERIES-MG500 ALUM OUTSWING FRENCH DOOR (L.M.I.)
MR-GLASS DOORS & WINDOWS MANUFACTURING, LLC
8051 N.W. 79th Place
Medley, FL. 33166
Tel. (305) 764-3963 Fax. (305) 470-8285

revisions:	no	date	by	description

date: 04-20-18	scale: 1/2"=1'-0"	dr. by: TARIQ	chk. by:
----------------	-------------------	---------------	----------

drawing no. 18-47F	sheet 5 of 18
------------------------------	---------------

**SINGLE DOORS WITHOUT TRANSOMS
USE CHARTS AS FOLLOWS
FOR THE CORRESPONDING DOOR SIZE**

- 1- FOR GLASS TYPE, LOCK AND HINGE OPTIONS OBTAIN LOAD CAPACITIES FROM TABLES #D4.
- 2- THESE DOORS APPROVED WITH STD. THRESHOLD ONLY.
- 3- FOR JAMB ANCHORS TYPE/SHIMSPACE OBTAIN LOAD CAPACITIES FROM TABLE #J4.

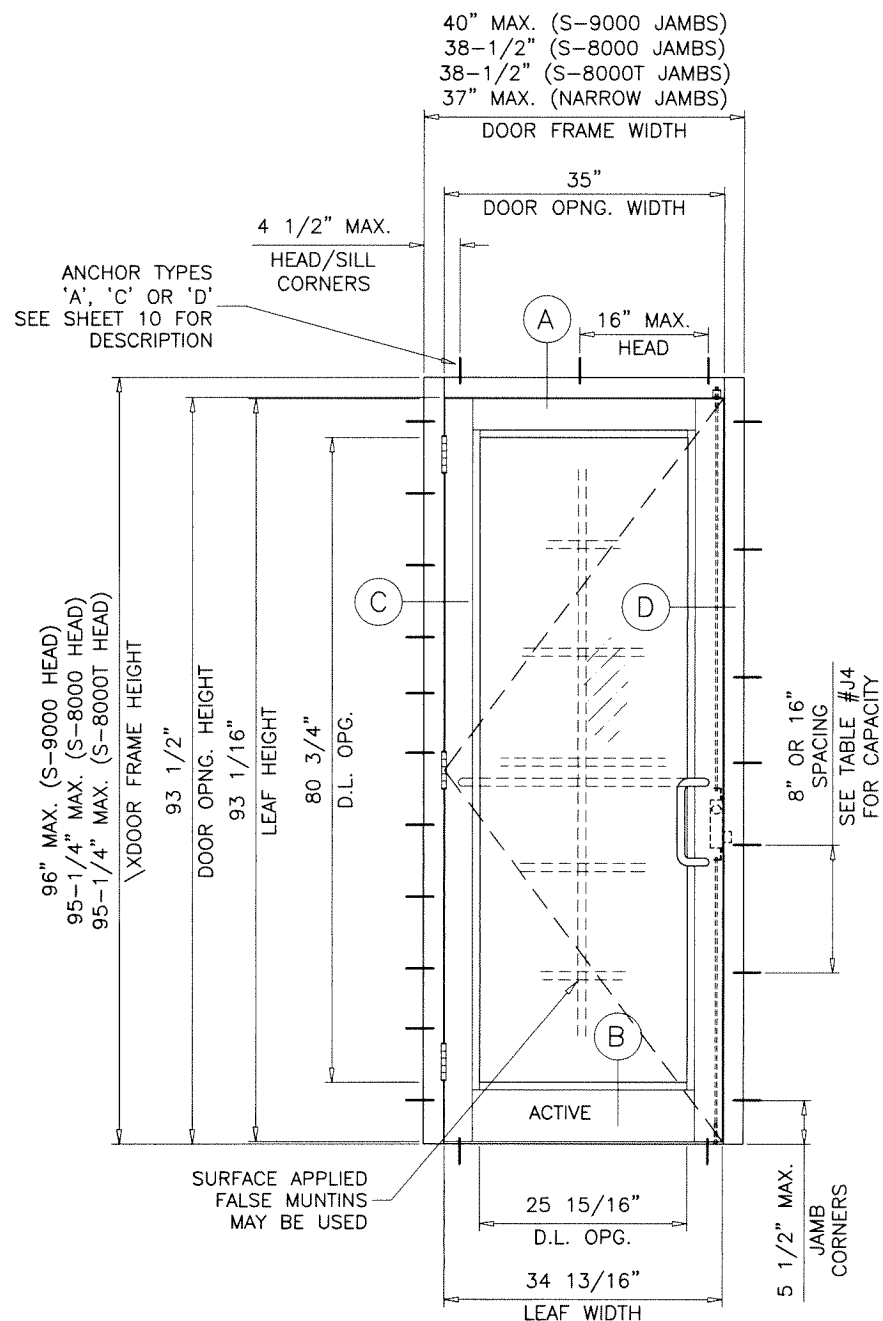
THE LOWEST VALUES FROM STEPS 1 AND 3 WILL GOVERN.

TABLE #D4								DOORS LOAD CAPACITY - PSF SINGLE(X) DOORS WITHOUT TRANSOM			
SINGLE DOOR(X) DIMS.		GLASS		LOCKS		HINGES					
		TYPE 'B.1'		OPTION #3		OPTION #2					
DOOR OPG. WIDTH	DOOR OPG. HEIGHT	EXT.(+)	INT.(-)	EXT.(+)	INT.(-)	EXT.(+)	INT.(-)				
35"	93-1/2"	120.0	130.0	120.0	130.0	120.0	130.0				

SEE SHEET 7 FOR GLASS TYPES DESCRIPTION
SEE SHEET 16 FOR LOCKS AND HINGES DESCRIPTION

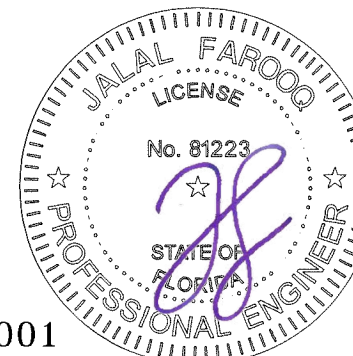
TABLE #J4												JAMB ANCHORS LOAD CAPACITY - PSF SINGLE(X) DOORS WITHOUT TRANSOM			
SINGLE DOOR(X) DIMS.		1/4" SHIM SPACE				3/8" SHIM SPACE				1/2" SHIM SPACE					
		AT 16" O.C.		SPACING AT 8" O.C.		AT 16"		AT 8" O.C.		AT 16"		AT 8" O.C.			
		ANCHOR 'A'	ANCHOR 'C'	ANCHOR 'D'	ANCHOR 'A', 'C' & 'D'	ANCHOR 'A'	ANCHOR 'C'	ANCHOR 'A' & 'C'	ANCHOR 'A'	ANCHOR 'C'	ANCHOR 'A'	ANCHOR 'C'			
DOOR OPG. WIDTH	DOOR OPG. HEIGHT	EXT.(+) INT.(-)	EXT.(+) INT.(-)	EXT.(+) INT.(-)	EXT.(+) INT.(-)	EXT.(+) INT.(-)	EXT.(+) INT.(-)	EXT.(+) INT.(-)	EXT.(+) INT.(-)	EXT.(+) INT.(-)	EXT.(+) INT.(-)				
35"	93-1/2"	112.5	130.0	130.0	130.0	82.5	117.5	130.0	64.2	92.7	128.3	130.0			

SEE SHEET 10 FOR ANCHOR DESCRIPTION



**TYPICAL ELEVATION
(X)**

Sealed: 8/1/2023



NOTE:
GLASS CAPACITIES ON THIS SHEET ARE
BASED ON ASTM E1300-09 (3 SEC. GUSTS)
AND FLORIDA BUILDING COMMISSION
DECLARATORY STATEMENT DCA05-DEC-219

FL #27001

af c
AL-FAROOQ CORPORATION
ENGINEERS & PRODUCT DEVELOPMENT
9360 SUNSET DRIVE, SUITE 220
MIAMI, FLORIDA 33173 (C.A.N. 3538)
TEL. (305) 264-8100 FAX. (305) 262-6978
COMP-ANL\18-47F-MG

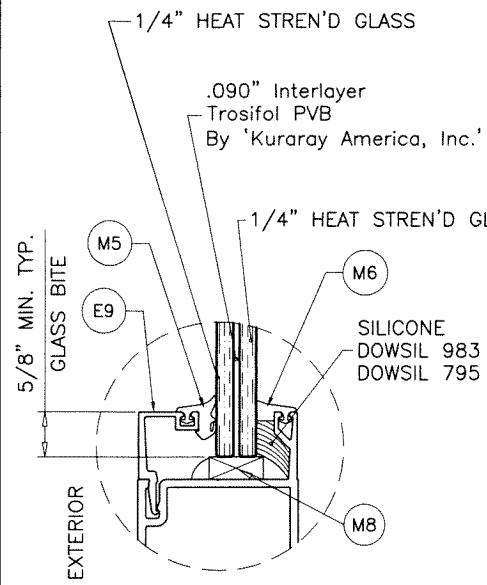
SERIES-MG500 ALUM OUTSWING FRENCH DOOR (L.M.I.)
MR-GLASS DOORS & WINDOWS MANUFACTURING, LLC
8051 N.W. 79th Place
Medley, FL 33166
Tel. (305) 764-3963 Fax. (305) 470-8285

no	date	by	description

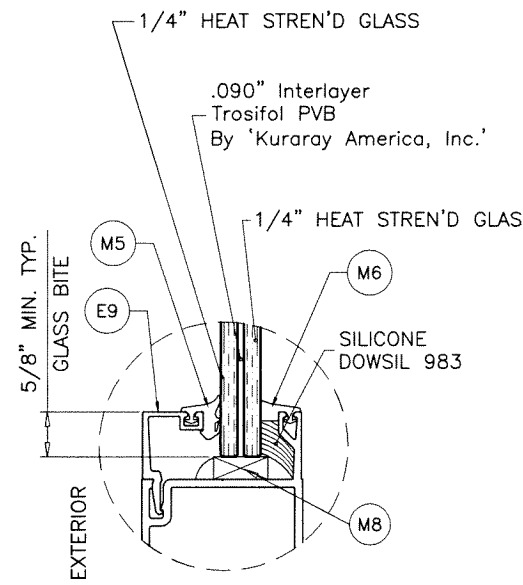
date: 04-20-18
scale: 1/2"=1'-0"
dr. by: TARIQ
chk. by:

drawing no.
18-47F

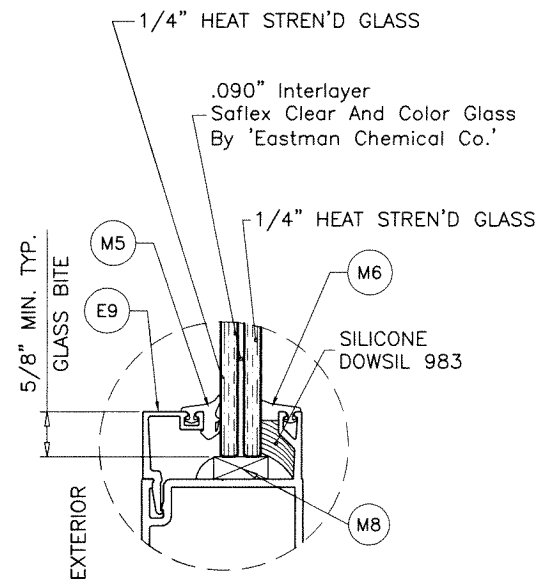
sheet 6 of 18



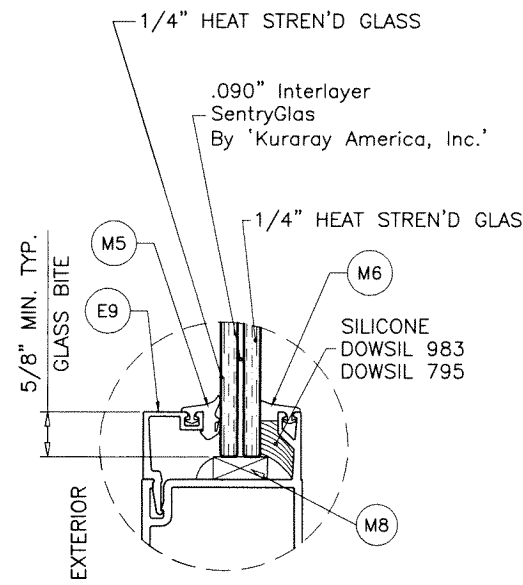
GLASS TYPE 'A'
9/16" OVERALL LAM. GLASS



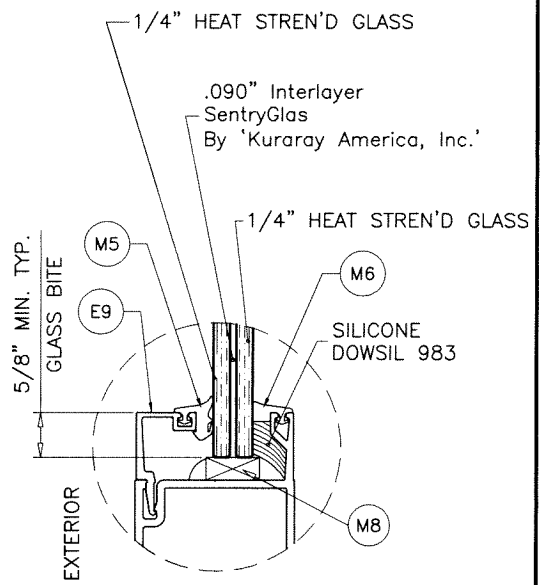
GLASS TYPE 'A.1'
9/16" OVERALL LAM. GLASS



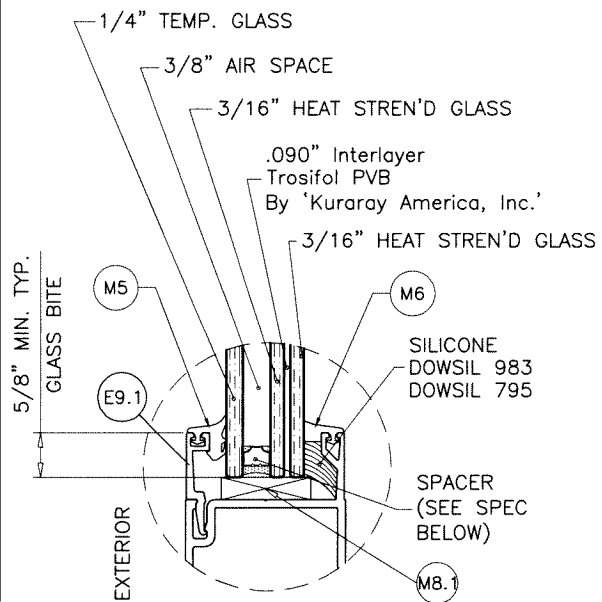
GLASS TYPE 'A.2'
9/16" OVERALL LAM. GLASS



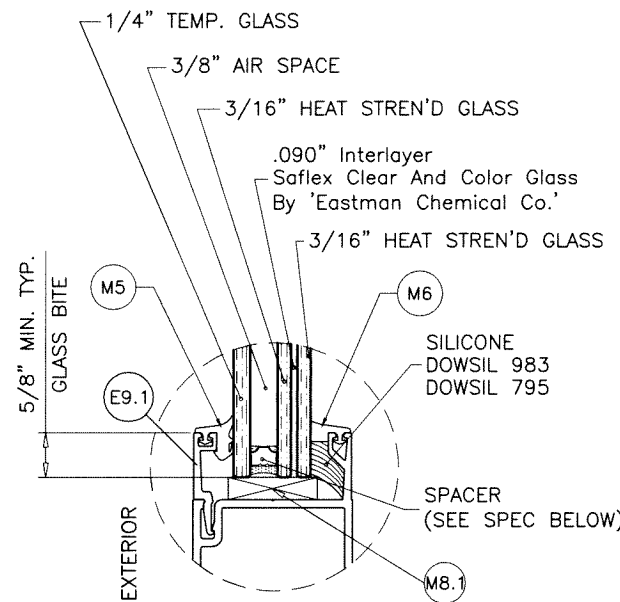
GLASS TYPE 'B'
9/16" OVERALL LAM. GLASS



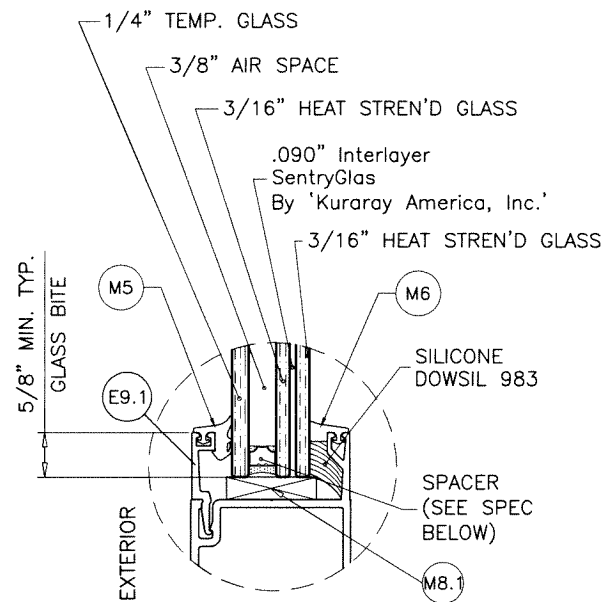
GLASS TYPE 'B.1'
9/16" OVERALL LAM. GLASS



GLASS TYPE 'C'
1-1/8" OVERALL INSUL. LAM. GLASS



GLASS TYPE 'C.1'
1-1/8" OVERALL INSUL. LAM. GLASS



GLASS TYPE 'D'
1-1/8" OVERALL INSUL. LAM. GLASS

**GLAZING OPTIONS
S-9000 DOORS**

3/8" AIR SPACE CONSISTING OF:
SPACER:
 'HELIMA' LOW PROFILE ALUMINUM SPACER
 BY 'LINGERMANN GMBH'
 AROUND THE PERIMETER OF THE GLASS.
PERIMETER SEALANT:
 SILICONE
 DOWSIL 791
 GE 2000

Sealed: 8/1/2023



FL #27001

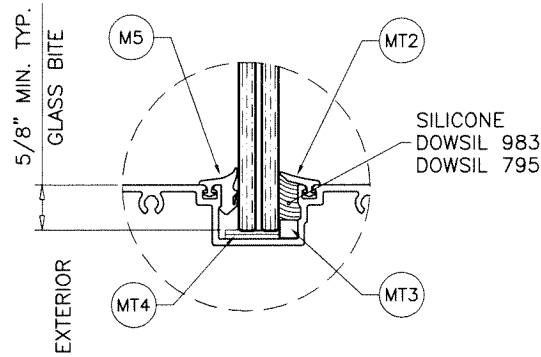
af c
AL-FAROOQ CORPORATION
 ENGINEERS & PRODUCT DEVELOPMENT
 9360 SUNSET DRIVE, SUITE 220
 MIAMI, FLORIDA 33173 (C.A.N. 3538)
 TEL. (305) 264-8100 FAX. (305) 262-6978
 COMP-ANL 18-47F-MG

SERIES-MG500 ALUM OUTSWING FRENCH DOOR (L.M.I.)
MR-GLASS DOORS & WINDOWS MANUFACTURING, LLC
 8051 N.W. 79th Place
 Medley, FL. 33166
 Tel. (305) 764-3963 Fax. (305) 470-8285

revisions:	no	date	by	description

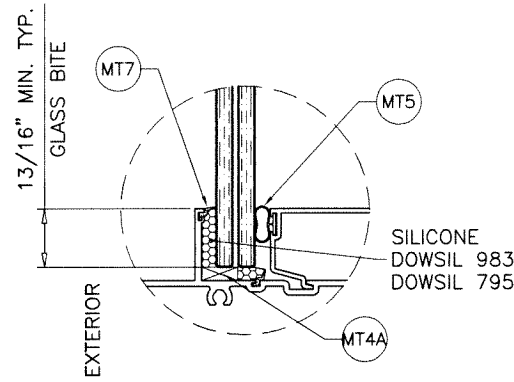
date:	04-20-18
scale:	3/8" = 1"
dr. by:	JARIQ
chk. by:	

drawing no.
18-47F
sheet 7 of 18



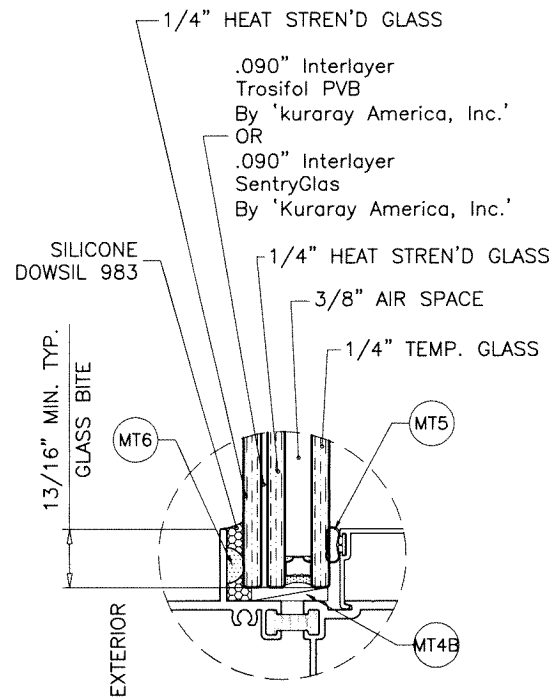
GLAZING DETAIL
S-9500 TRANSOM

GLASS TYPES A. A.1, A.2, B & B.1



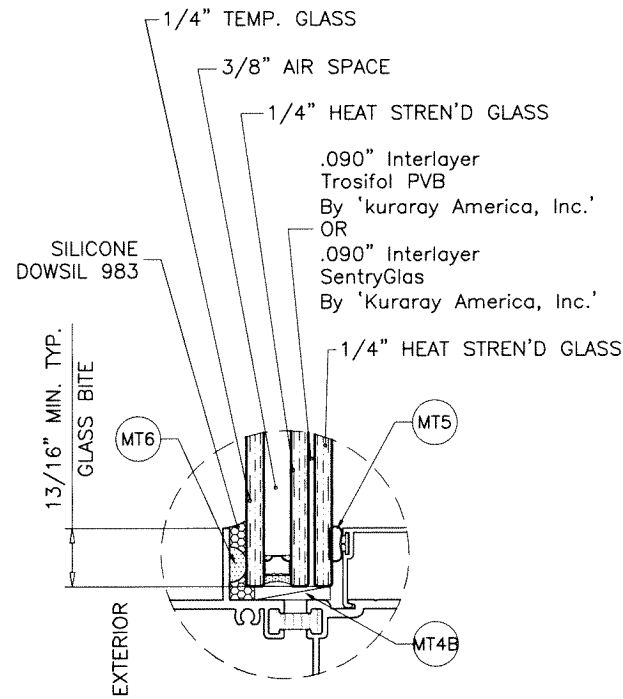
GLAZING DETAIL
S-8000 TRANSOM

GLASS TYPES A. A.1, A.2, B & B.1



GLASS TYPE 'E'

1-1/4" OVERALL LAM. INSUL. GLASS



GLASS TYPE 'E-R'

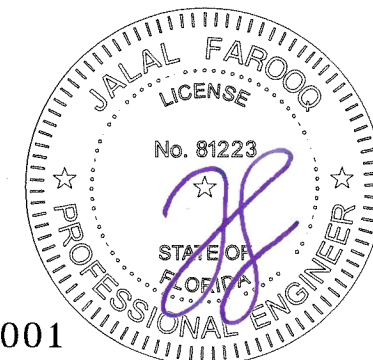
1-1/4" OVERALL INSUL. LAM. GLASS

3/8" AIR SPACE CONSISTING OF:

SPACER:
'HELIMA' LOW PROFILE ALUMINUM SPACER
BY 'LINGERMANN GMBH'
AROUND THE PERIMETER OF THE GLASS.
PERIMETER SEALANT:
SILICONE
DOWSIL 791
GE 2000

GLAZING OPTIONS
S-8000T TRANSOM

Sealed: 8/1/2023



FL #27001

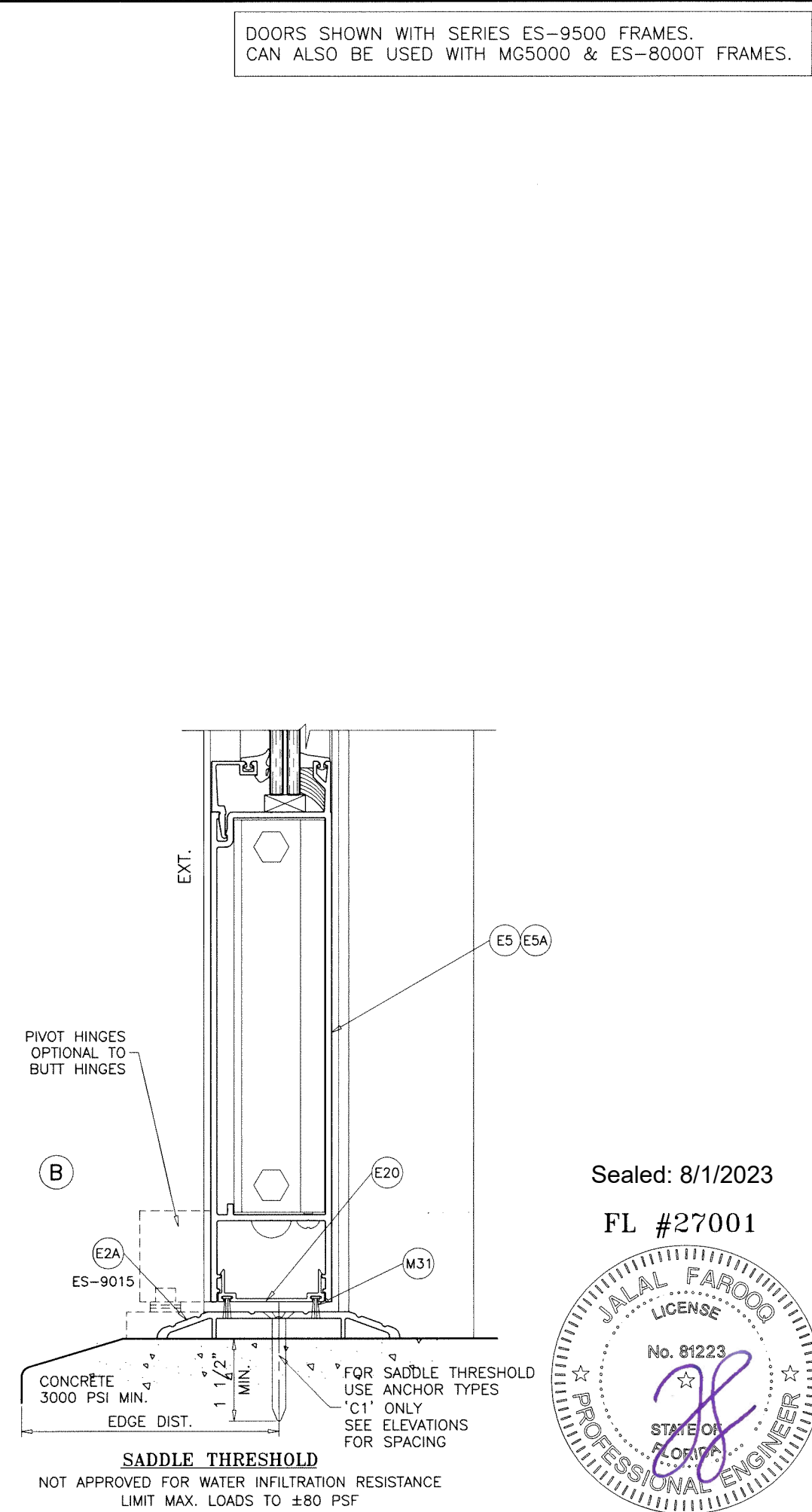
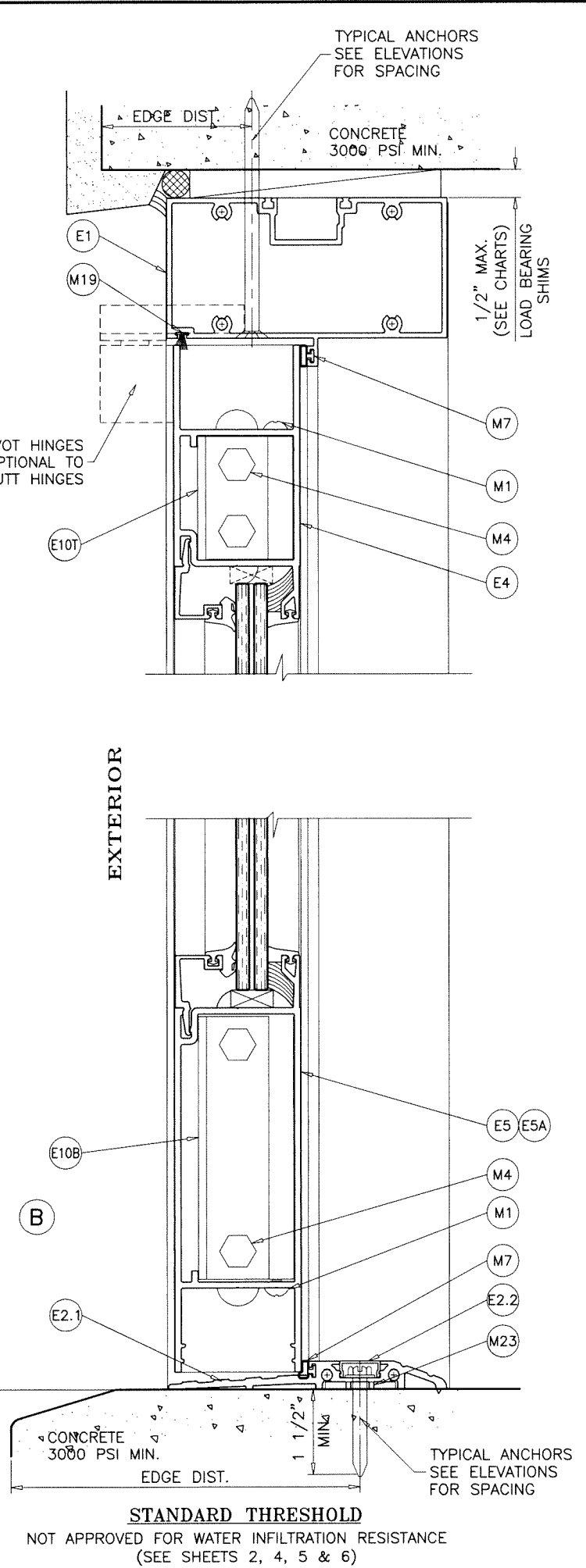
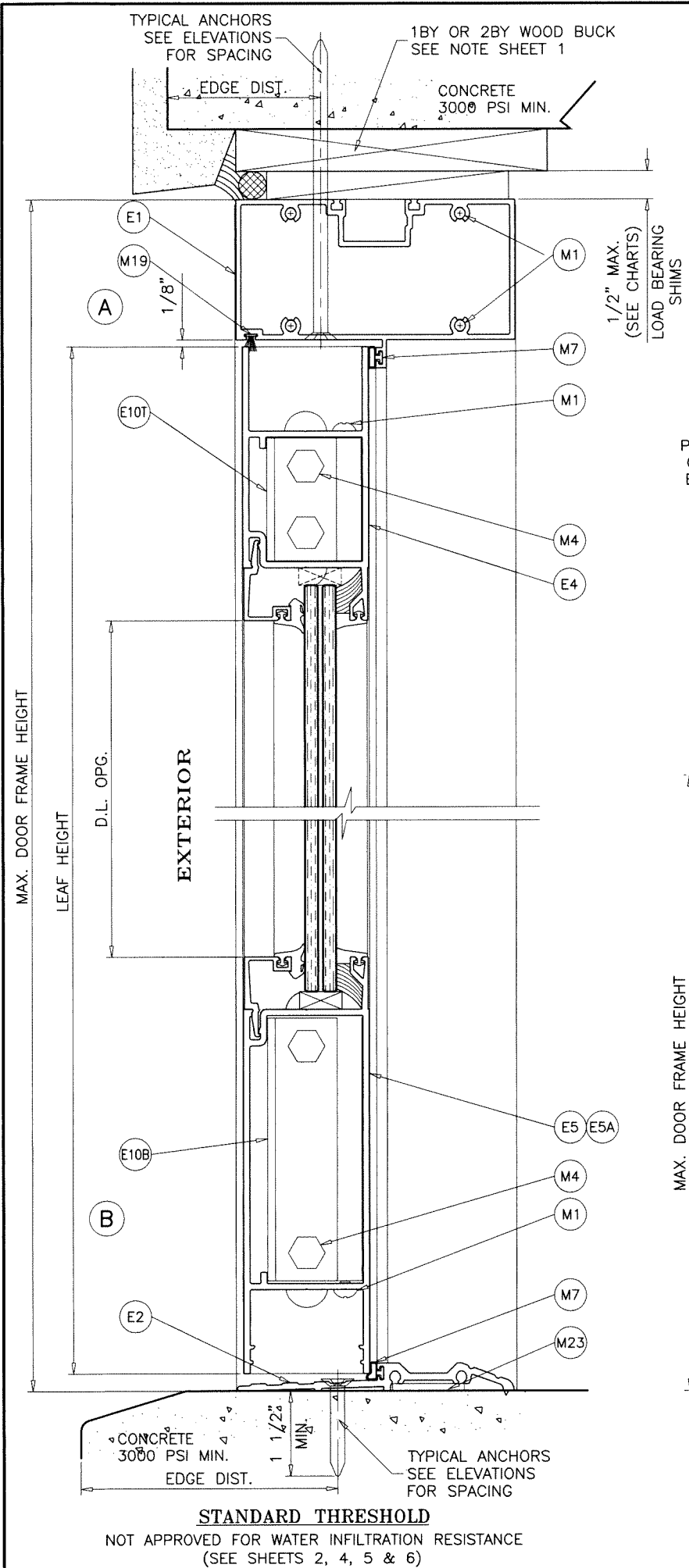
afc
AL-FAROOQ CORPORATION
ENGINEERS & PRODUCT DEVELOPMENT
9360 SUNSET DRIVE, SUITE 220 (C.A.N. 3538)
MIAMI, FLORIDA 33173
TEL. (305) 264-8100 FAX. (305) 262-6978
COMP-ANL 18-47F-MG

SERIES-MG500 ALUM OUTSWING FRENCH DOOR (L.M.I.)
MR-GLASS DOORS & WINDOWS MANUFACTURING, LLC
8051 N.W. 79th Place
Medley, FL. 33166
Tel. (305) 764-3963 Fax. (305) 470-8285

no.	date	by	description

date: 04-20-18	scale: 3/8" = 1"
dr. by: TARIQ	chk. by:

drawing no.
18-47F
sheet 7.1 of 18



DOORS SHOWN WITH SERIES ES-9500 FRAMES.
CAN ALSO BE USED WITH MG5000 & ES-8000T FRAMES.

af c
AL-FAROOQ CORPORATION
ENGINEERS & PRODUCT DEVELOPMENT
9360 SUNSET DRIVE, SUITE 220 (C.A.N. 3538)
MIAMI, FLORIDA 33173
TEL. (305) 264-8100 FAX. (305) 262-6978
COMP-ANL \ 18-47F-MG

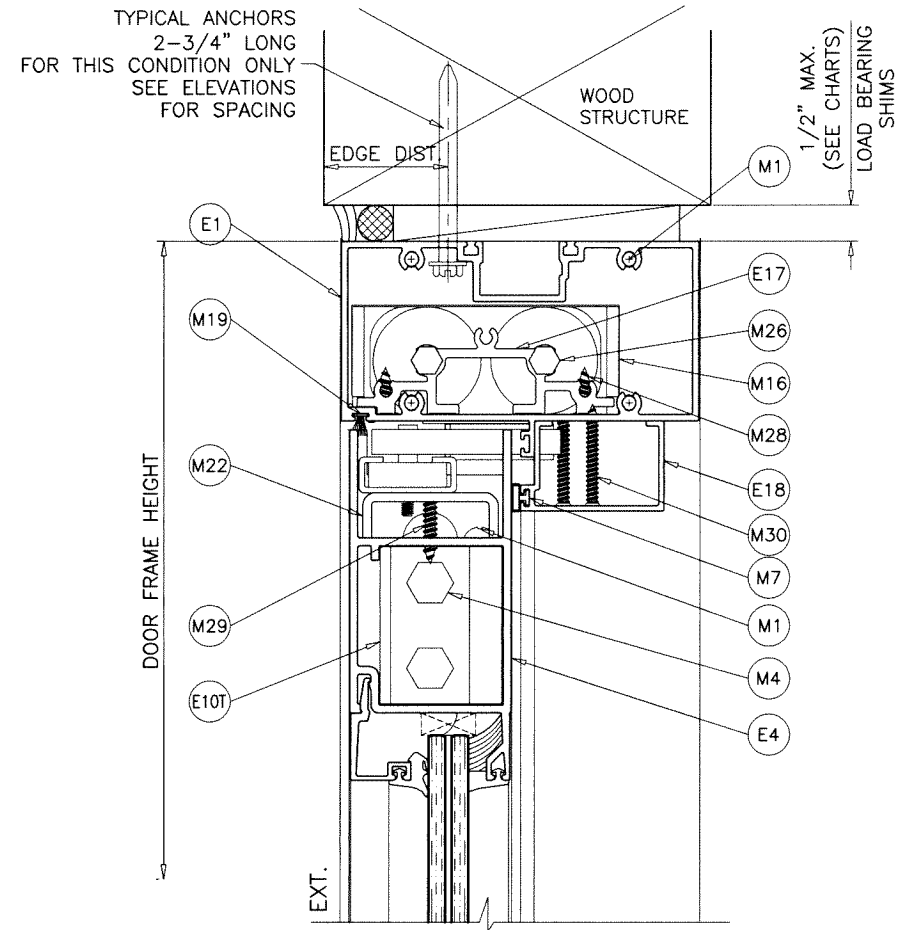
SERIES-MG500 ALUM OUTSWING FRENCH DOOR (L.M.I.)
MR-GLASS DOORS & WINDOWS MANUFACTURING, LLC
8051 N.W. 79th Place
Medley, FL. 33166
Tel. (305) 764-3963 Fax. (305) 470-8285

no	date	by	description

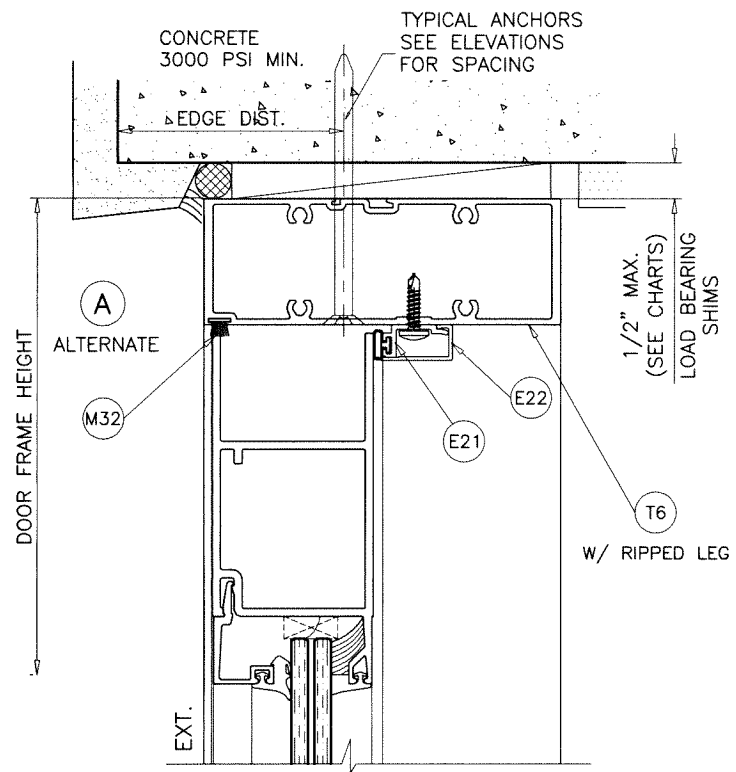
date: 04-20-18
scale: 3/8" = 1"
dr. by: TARIQ
chk. by:

drawing no.
18-47F
sheet 8 of 18

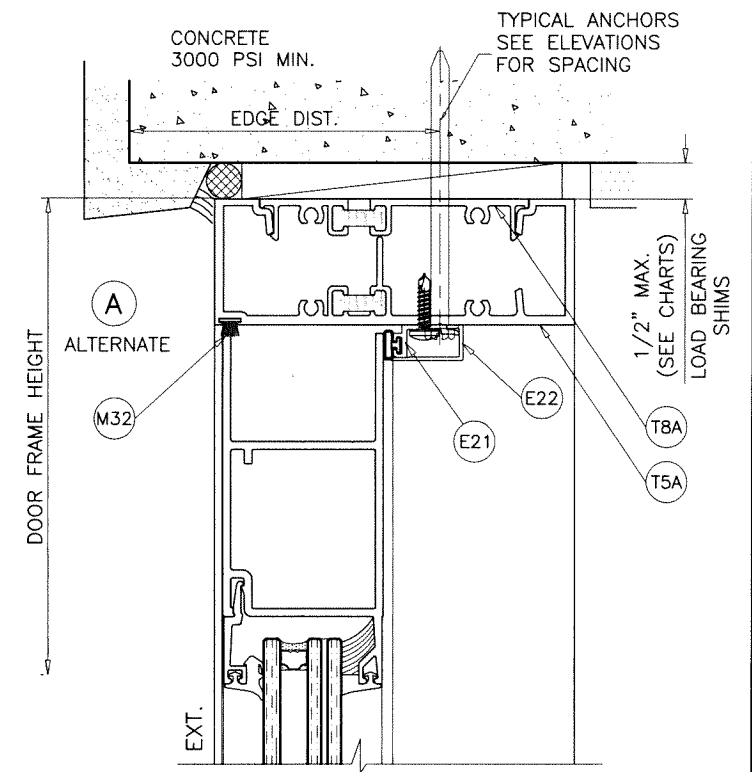
Sealed: 8/1/2023
FL #27001
JALAL FAROOQ
LICENSE
No. 81223
STATE OF FLORIDA
PROFESSIONAL ENGINEER



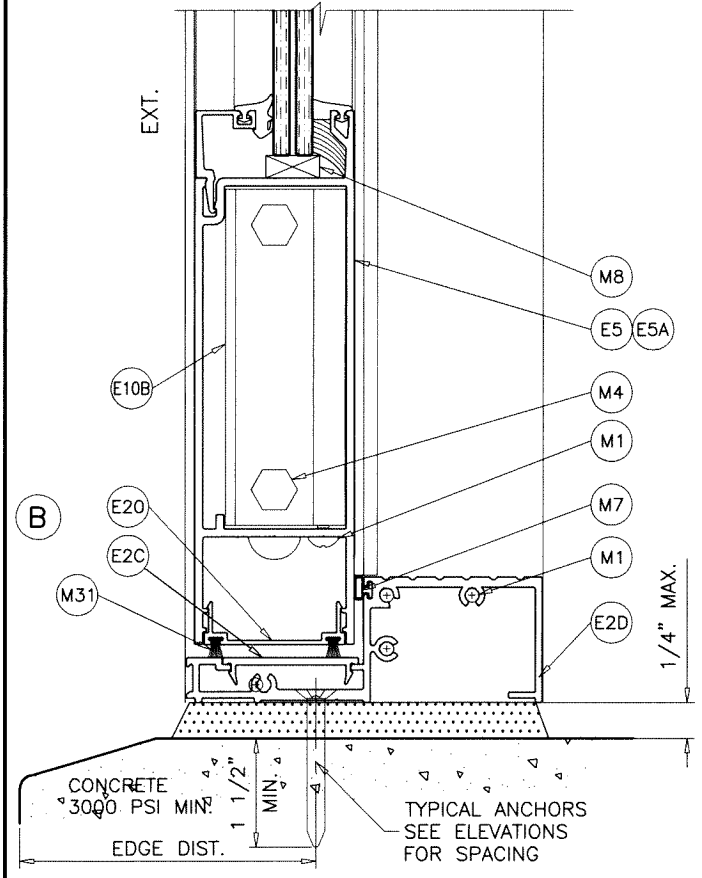
DOOR CLOSERS OPTIONAL



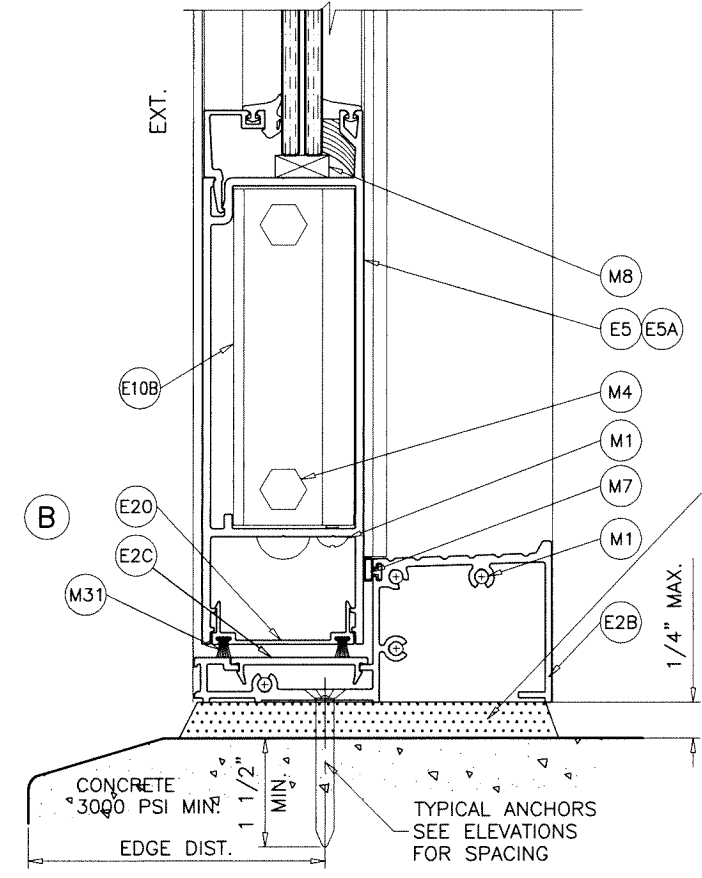
DOOR HEAD SERIES-MG5000 FRAME OPTION



DOOR HEAD SERIES-8000T FRAME OPTION



MEDIUM THRESHOLD
NOT APPROVED FOR WATER INFILTRATION RESISTANCE

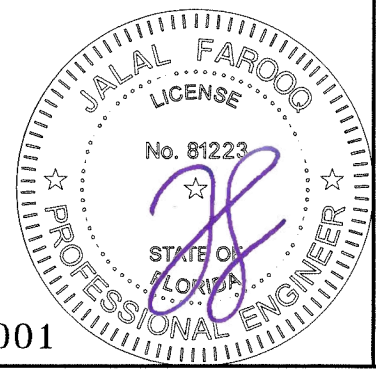


HIGH THRESHOLD
APPROVED FOR WATER INFILTRATION RESISTANCE

HIGH STRENGTH GROUT
POURED & HARDENED
f'c = 5000 PSI MIN.
NOT BY 'MR. GLASS'
MUST TRANSFER SHEAR
LOADS TO STRUCTURE

DOORS SHOWN WITH SERIES ES-9500 FRAMES.
CAN ALSO BE USED WITH MG5000 & ES-8000T FRAMES.

Sealed: 8/1/2023



FL #27001

af c

AL-FAROOQ CORPORATION
ENGINEERS & PRODUCT DEVELOPMENT
9360 SUNSET DRIVE, SUITE 220 (C.A.N. 3538)
MIAMI, FLORIDA 33173
TEL. (305) 264-8100 FAX. (305) 262-6978
COMP-ANL\18-47F-MG

SERIES-MG500 ALUM OUTSWING FRENCH DOOR (L.M.I.)
MR-GLASS DOORS & WINDOWS MANUFACTURING, LLC
8051 N.W. 79th Place
Medley, FL. 33166
Tel. (305) 764-3963 Fax. (305) 470-8285

revisions:	no	date	description

date: 04-20-18
scale: 3/8" = 1"
dr. by: TARIQ
chk. by:

drawing no.
18-47F

sheet 9 of 18

1X OR 2X WOOD BUCKS AND METAL STRUCTURES NOT BY 'MR. GLASS' MUST SUPPORT LOADS IMPOSED BY GLAZING SYSTEM AND TRANSFER THEM TO THE BUILDING STRUCTURE.

TYPICAL ANCHORS: SEE ELEV. FOR SPACING

TYPE 'A' - 1/4" DIA. ULTRACON+ BY 'DEWALT' (Fu=164 KSI, Fy=148 KSI)
 THRU 1BY OR 2BY WOOD BUCKS INTO CONCRETE OR BLOCKS
 1-1/4" MIN. EMBED INTO CONCRETE (HEAD/JAMBS)
 1-1/4" MIN. EMBED INTO GROUT FILLED BLOCKS (JAMBS)
 DIRECTLY INTO CONCRETE OR BLOCKS
 2" MIN. EMBED INTO CONCRETE (HEAD/JAMBS)
 2" MIN. EMBED INTO GROUT FILLED BLOCKS (JAMBS)

ANCHOR EDGE DISTANCES

INTO CONCRETE AND BLOCKS = 2-1/2" MIN.
 INTO WOOD STRUCTURE = 1" MIN.

TYPE 'C' - 5/16" ULTRACON BY 'DEWALT' (Fu=177 KSI, Fy=155 KSI)
 THRU 1BY OR 2BY WOOD BUCKS INTO CONCRETE OR BLOCKS
 1-1/4" MIN. EMBED INTO CONCRETE (HEAD/JAMBS)
 1-1/4" MIN. EMBED INTO GROUT FILLED BLOCKS (JAMBS)
 DIRECTLY INTO CONCRETE OR BLOCKS
 2" MIN. EMBED INTO CONCRETE (HEAD/JAMBS)
 2" MIN. EMBED INTO GROUT FILLED BLOCKS (JAMBS)

ANCHOR EDGE DISTANCES

INTO CONCRETE AND BLOCKS = 3-1/8" MIN.
 INTO WOOD STRUCTURE = 1-1/4" MIN.

TYPE 'D' - 1/4" TEKS OR SELF DRILLING SCREWS (GRADE 5 CRS)
 INTO F.B.C. APPROVED MULLIONS
 OR
 INTO METAL STRUCTURES (HEAD/JAMBS)
 (3) THREADS MIN. PENETRATION BEYOND SUBSTRATE
 ALUMINUM: 1/8" THK. MIN. (6063-T5 MIN.)
 STEEL: 1/8" THK. MIN. (Fy = 36 KSI MIN.)
 (STEEL IN CONTACT WITH ALUMINUM TO BE PLATED OR PAINTED)

ANCHOR EDGE DISTANCES

INTO METAL STRUCTURE = 1/2" MIN.

TYPE 'A1' - 1/4" X 1-3/4" ULTRACON+ BY 'DEWALT' (Fu=164 KSI, Fy=148 KSI)
 DIRECTLY INTO CONCRETE (FOR STD. AND HIGH THRESHOLD)
 WITH 1-1/2" MIN. EMBED INTO CONCRETE

ANCHOR EDGE DISTANCES

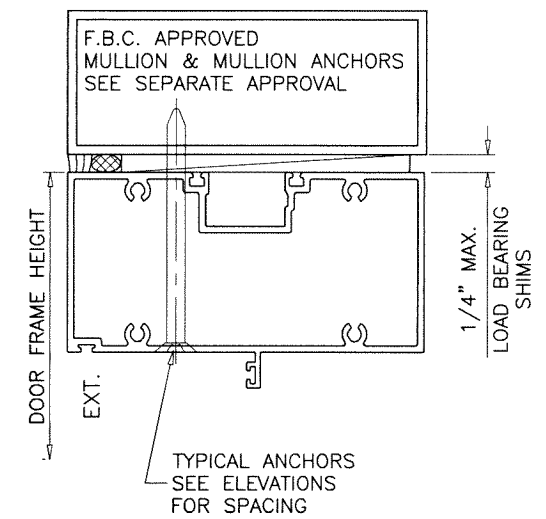
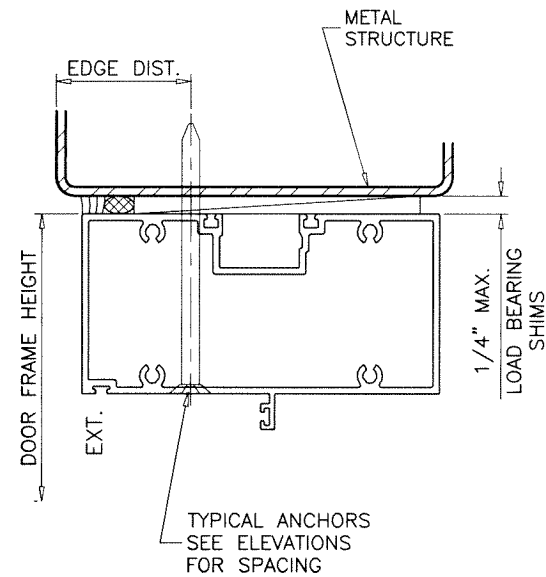
INTO CONCRETE = 2-1/2" MIN.

TYPE 'C1' - 5/16" X 2" ULTRACON BY 'DEWALT' (Fu=177 KSI, Fy=155 KSI)
 DIRECTLY INTO CONCRETE (FOR SADDLE THRESHOLD)
 WITH 1-1/2" MIN. EMBED INTO CONCRETE

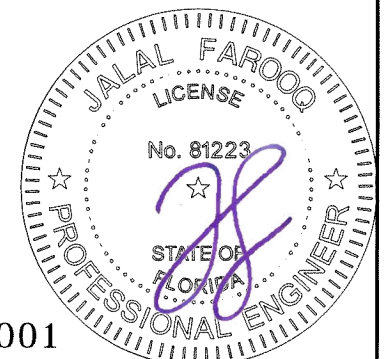
ANCHOR EDGE DISTANCES

INTO CONCRETE = 3-1/8" MIN.

WOOD AT HEAD OR JAMBS SG = 0.55 MIN.
 CONCRETE AT HEAD, SILL OR JAMBS f'c = 3000 PSI MIN.
 C-90 GROUT FILLED BLOCK AT JAMBS f'm = 2000 PSI MIN.



Sealed: 8/1/2023



af c
AL-FAROOQ CORPORATION
 ENGINEERS & PRODUCT DEVELOPMENT
 9360 SUNSET DRIVE, SUITE 220
 MIAMI, FLORIDA 33173 (C.A.N. 3538)
 TEL. (305) 264-8100 FAX. (305) 262-6978
 COMP-ANL\18-47F-MC

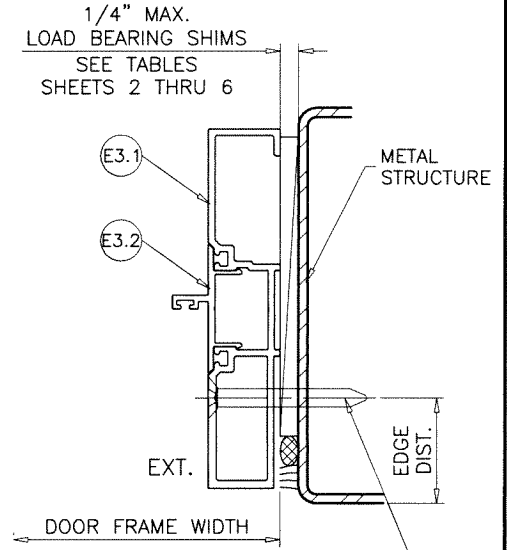
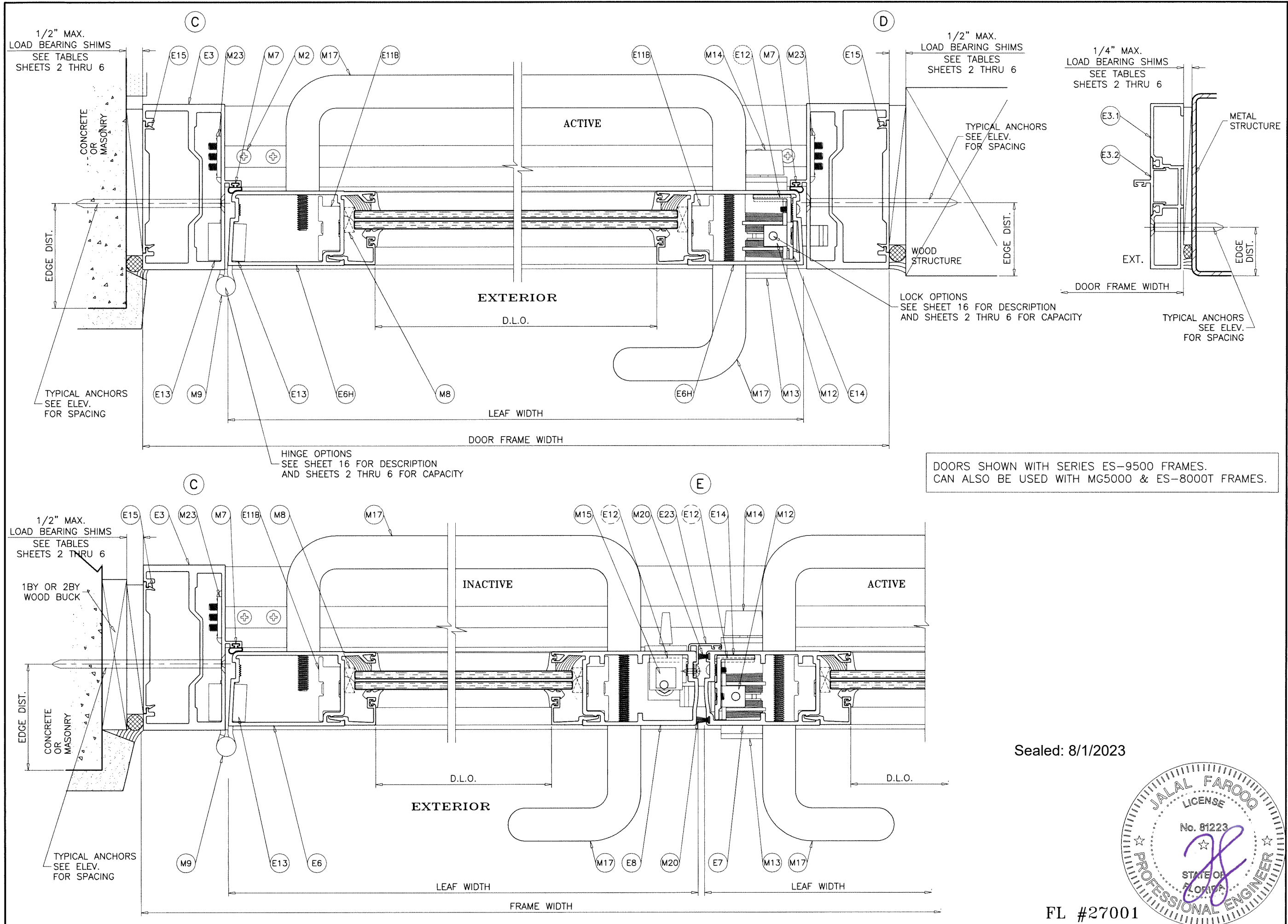
SERIES-MG500 ALUM OUTSWING FRENCH DOOR (L.M.I.)
MR-GLASS DOORS & WINDOWS MANUFACTURING, LLC
 8051 N.W. 79th Place
 Medley, FL. 33166
 Tel. (305) 764-3963 Fax. (305) 470-8285

no	date	description

date: 04-20-18
 scale: 1/2" = 1'-0"
 dr. by: TARIQ
 chk. by:

drawing no.
18-47F
 sheet 10 of 18

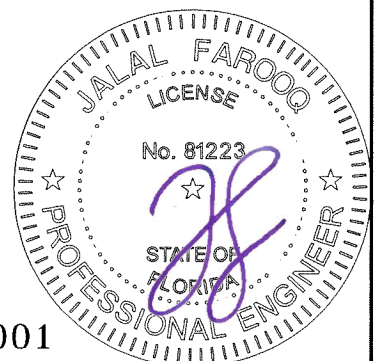
FL #27001



LOCK OPTIONS
SEE SHEET 16 FOR DESCRIPTION
AND SHEETS 2 THRU 6 FOR CAPACITY

DOORS SHOWN WITH SERIES ES-9500 FRAMES.
CAN ALSO BE USED WITH MG5000 & ES-8000T FRAMES.

Sealed: 8/1/2023



FL #27001

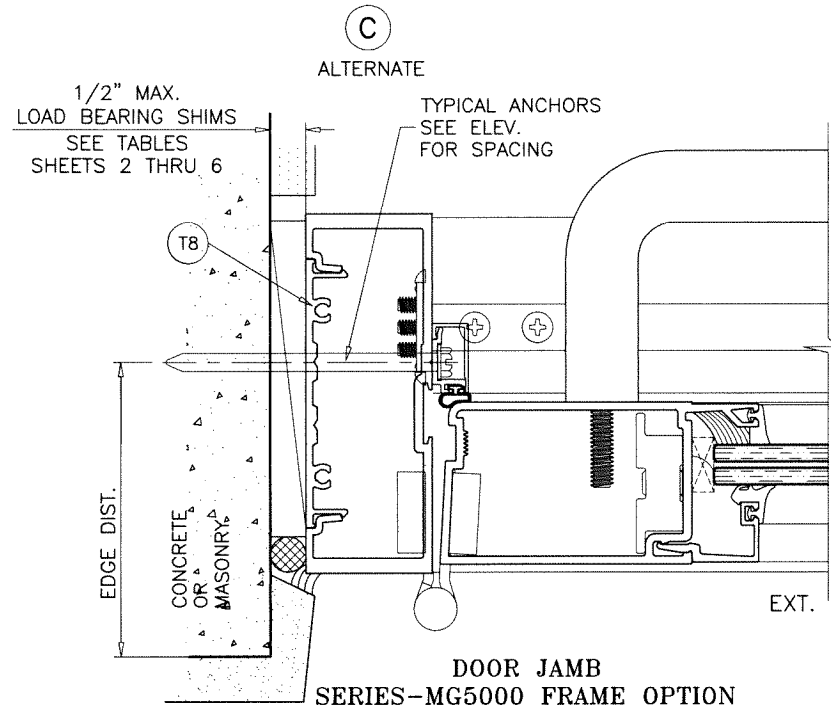
afcc
AL-FAROOQ CORPORATION
 ENGINEERS & PRODUCT DEVELOPMENT
 9360 SUNSET DRIVE, SUITE 220 (C.A.N. 3538)
 MIAMI, FLORIDA 33173 TEL. (305) 264-8100 FAX. (305) 262-6978
 COMP-ANL\18-47F-MG

SERIES-MG500 ALUM OUTSWING FRENCH DOOR (L.M.I.)
MR-GLASS DOORS & WINDOWS MANUFACTURING, LLC
 8051 N.W. 79th Place
 Medley, FL 33166
 Tel. (305) 764-3963 Fax. (305) 470-8285

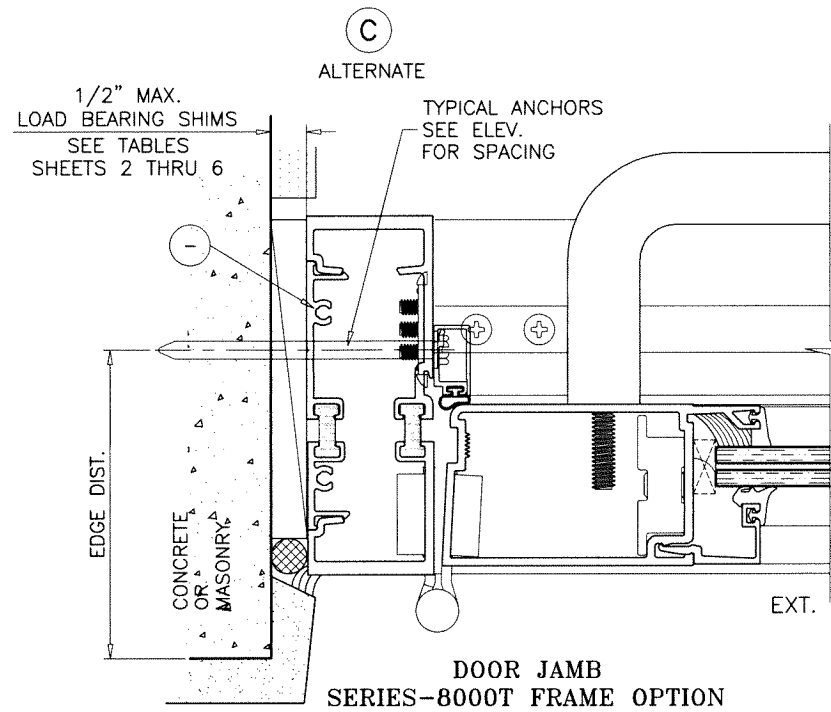
no.	date	by	description

date: 04-20-18
 scale: 3/8" = 1"
 dr. by: TARIQ
 chk. by:

drawing no.
18-47F
 sheet 11 of 18

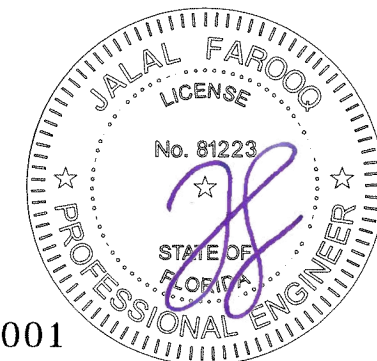


DOOR JAMB
SERIES-MG5000 FRAME OPTION



DOOR JAMB
SERIES-8000T FRAME OPTION

Sealed: 8/1/2023



FL #27001

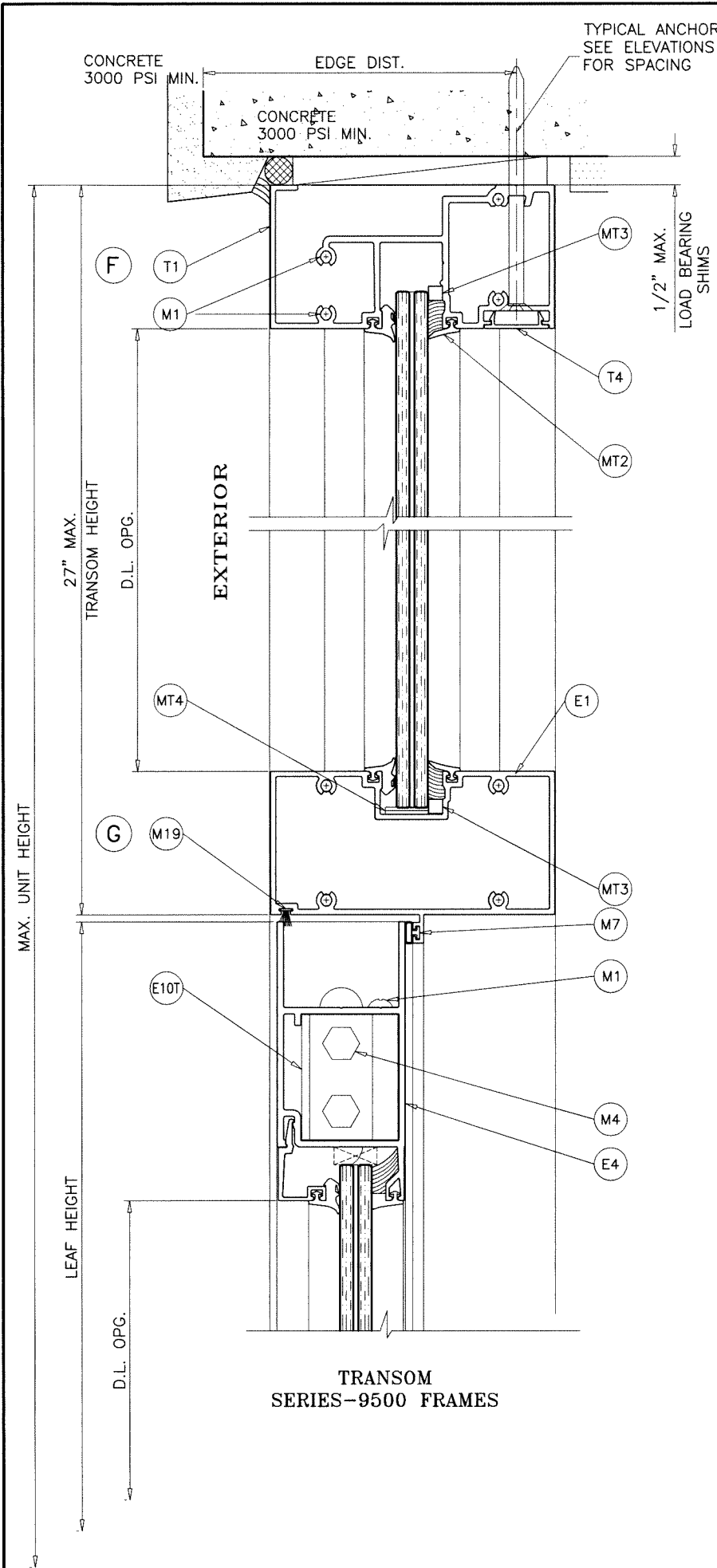
afc
AL-FAROOQ CORPORATION
 ENGINEERS & PRODUCT DEVELOPMENT
 9360 SUNSET DRIVE, SUITE 220
 MIAMI, FLORIDA 33173 (C.A.N. 3538)
 TEL. (305) 264-8100 FAX. (305) 262-6978
 COMP-ANI\18-47F-MG

SERIES-MG500 ALUM OUTSWING FRENCH DOOR (L.M.I.)
MR-GLASS DOORS & WINDOWS MANUFACTURING, LLC
 8051 N.W. 79th Place
 Medley, FL. 33166
 Tel. (305) 764-3963 Fax. (305) 470-8285

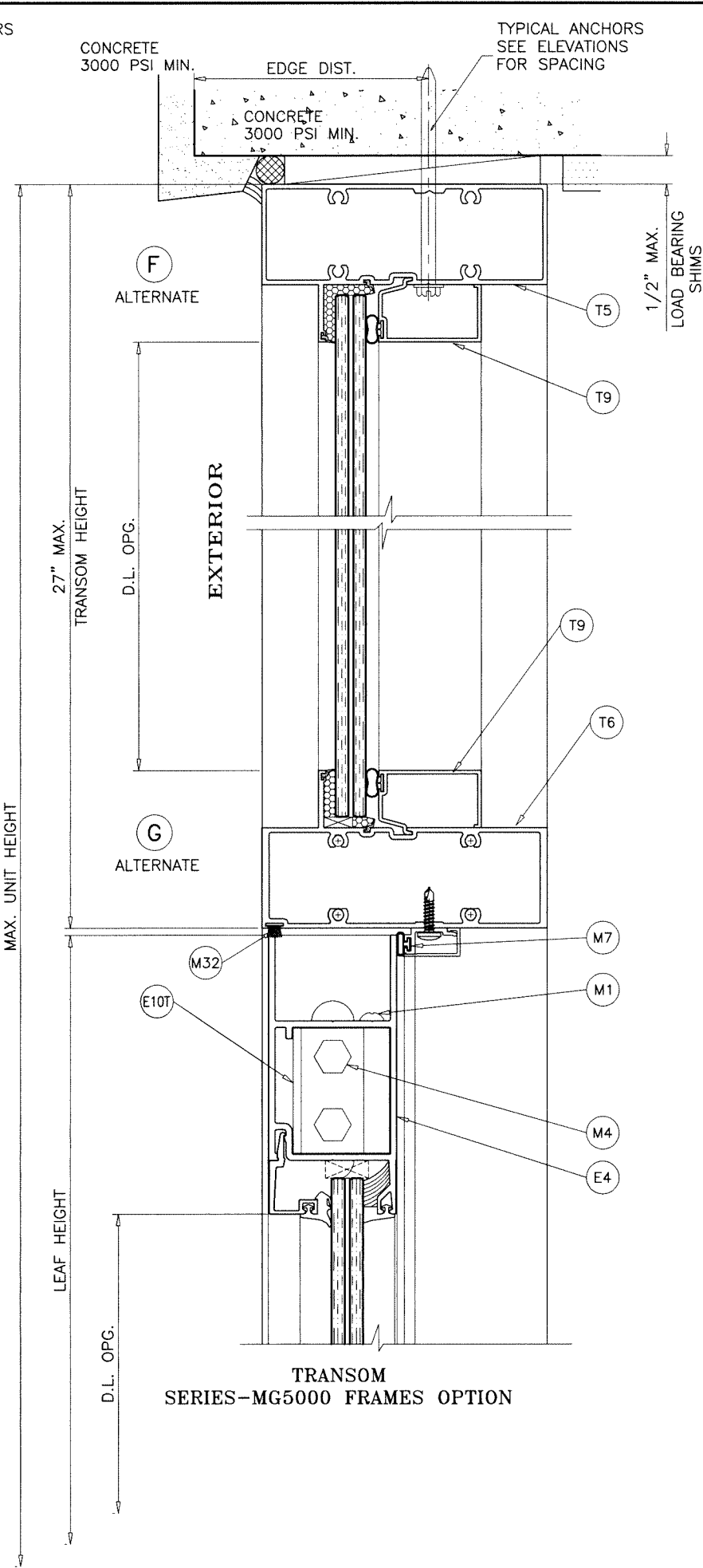
revisions:	
no	date by description

date: 04-20-18	scale: 3/8" = 1"
dr. by: TARIQ	chk. by:

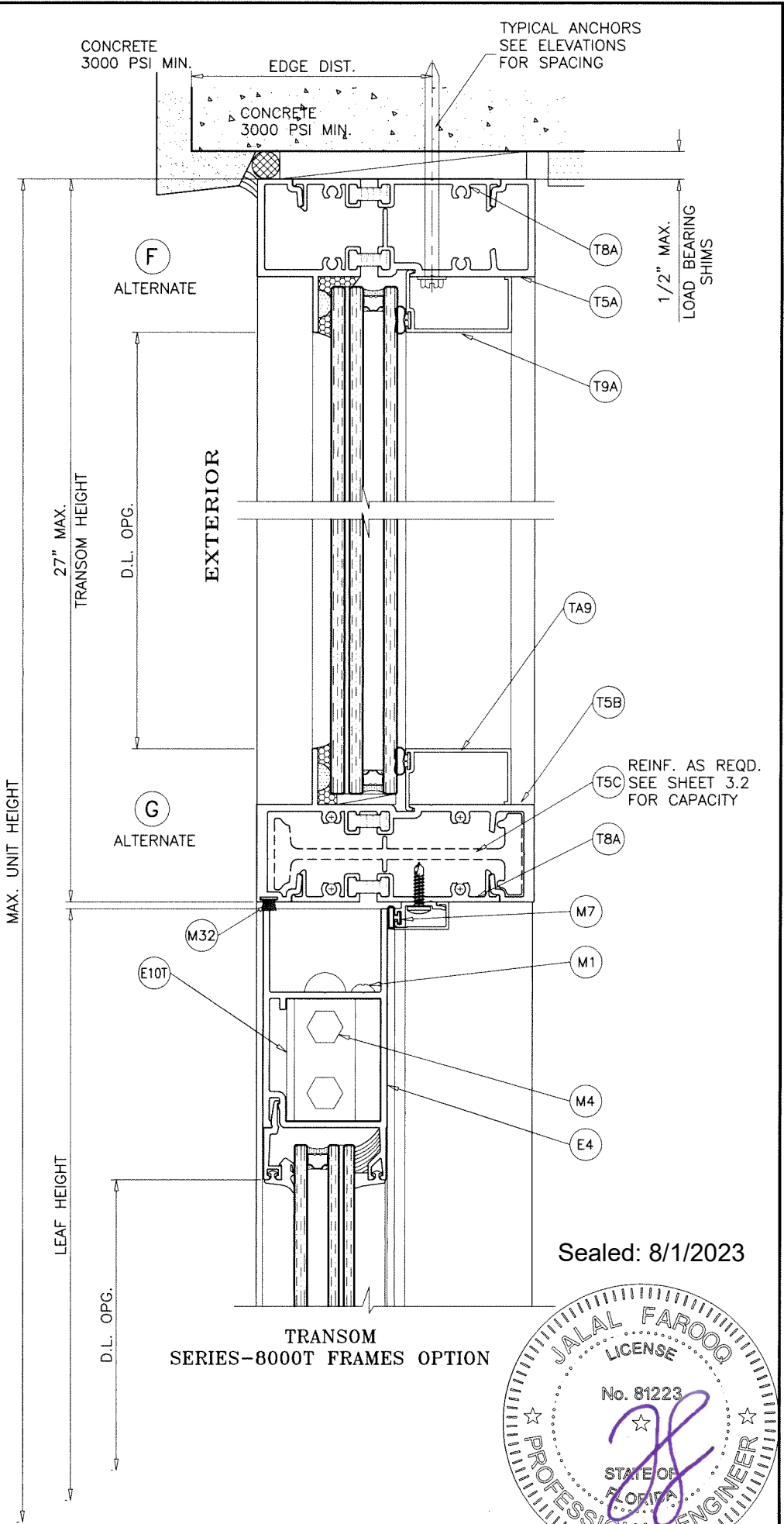
drawing no.
18-47F
 sheet 11.1 of 18



TRANSOM
SERIES-9500 FRAMES

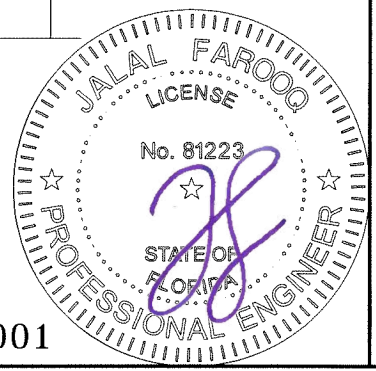


TRANSOM
SERIES-MG5000 FRAMES OPTION



TRANSOM
SERIES-8000T FRAMES OPTION

Sealed: 8/1/2023



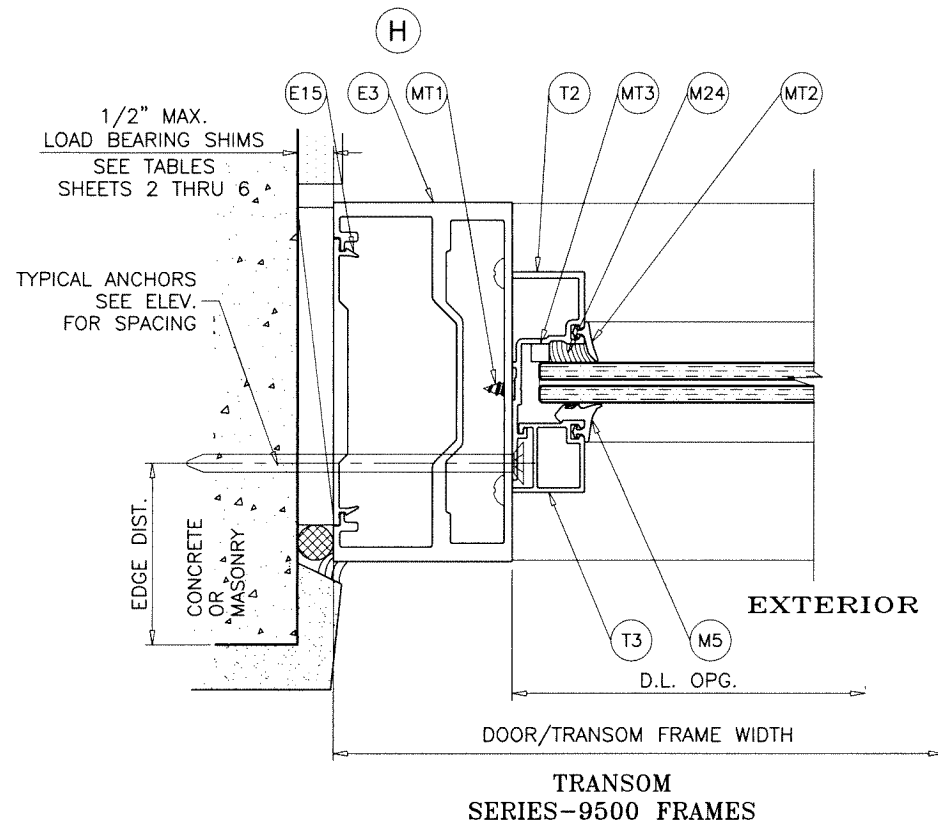
FL #27001

af c
AL-FAROOQ CORPORATION
ENGINEERS & PRODUCT DEVELOPMENT
9360 SUNSET DRIVE, SUITE 220 (C.A.N. 3538)
MIAMI, FLORIDA 33173 FAX: (305) 262-6978
TEL: (305) 264-8100

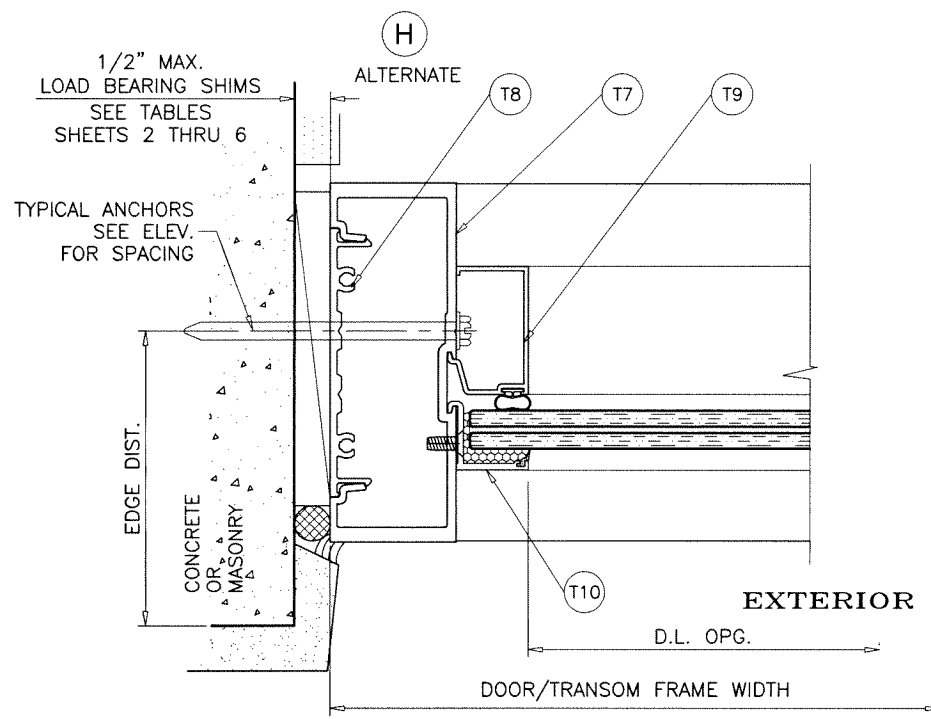
SERIES-MG500 ALUM OUTSWING FRENCH DOOR (L.M.I.)
MR-GLASS DOORS & WINDOWS MANUFACTURING, LLC
8051 N.W. 79th Place
Medley, FL 33166
Tel. (305) 764-3963 Fax. (305) 470-8285

revisions:	no	date	by	description
date:	04-20-18	scale:	3/8" = 1"	
dr. by:	TARIQ	chk. by:		
drawing no.	18-47F			
sheet	12 of 18			

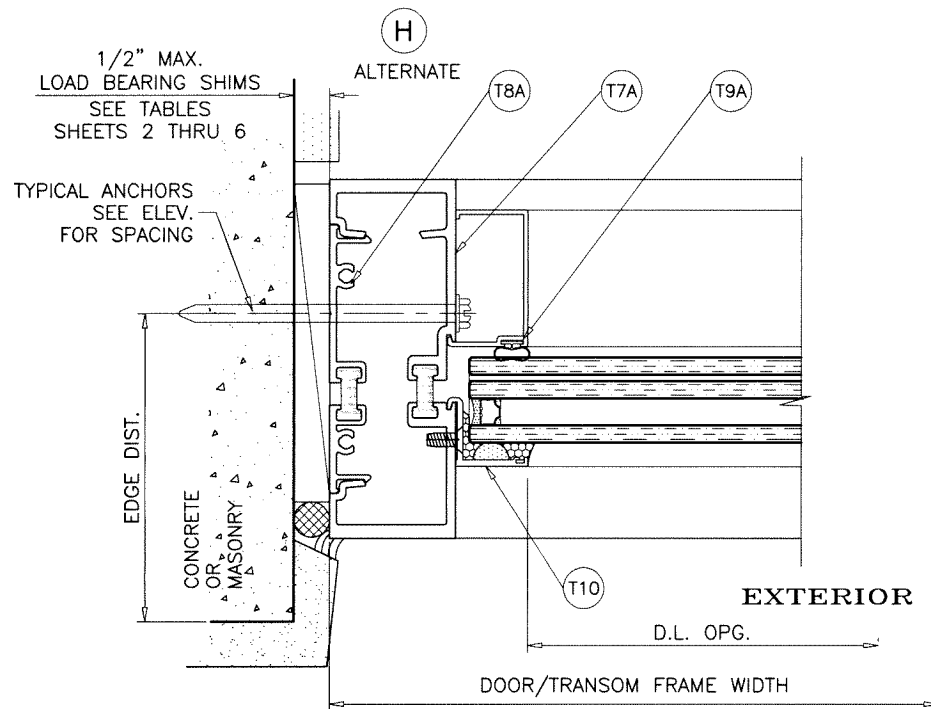
COMP-ANL\18-47F-MG



TRANSOM
SERIES-9500 FRAMES

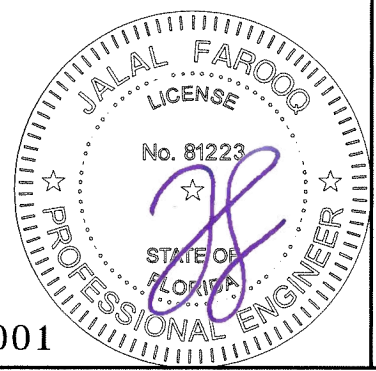


TRANSOM JAMB
SERIES-MG5000 FRAMES OPTION

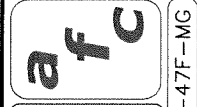


TRANSOM JAMB
SERIES-8000T FRAMES OPTION

Sealed: 8/1/2023



FL #27001



AL-FAROOQ CORPORATION
ENGINEERS & PRODUCT DEVELOPMENT
9360 SUNSET DRIVE, SUITE 220
MIAMI, FLORIDA 33173 (C.A.N. 3538)
TEL. (305) 264-8100 FAX. (305) 262-6978
COMP-ANL\18-47F-MG

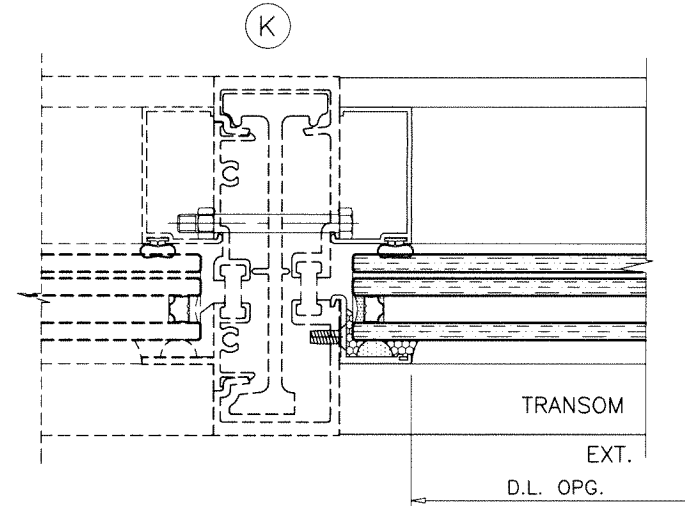
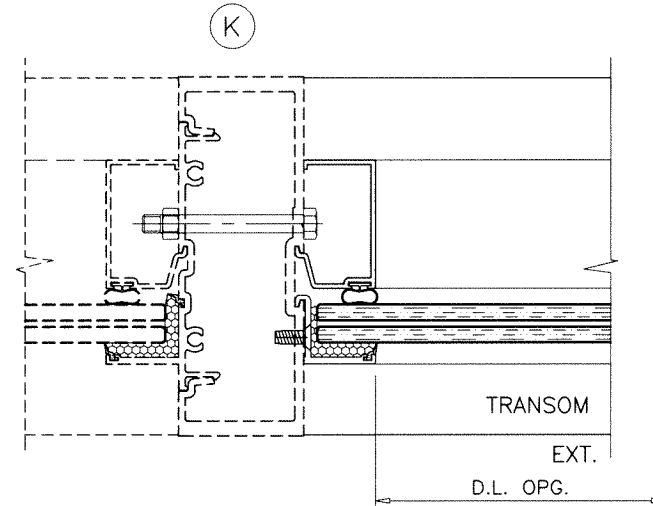
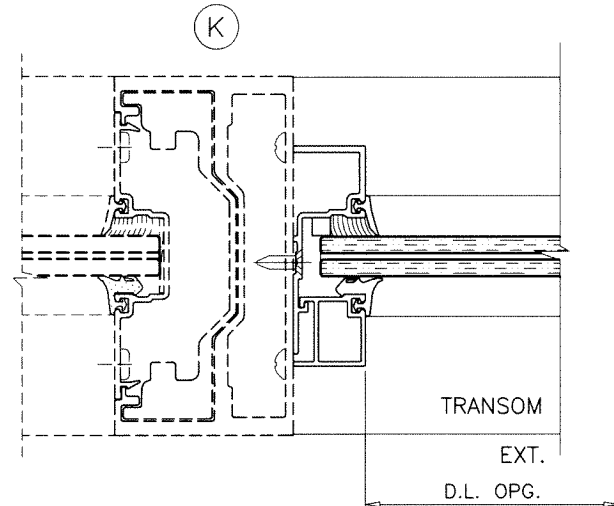
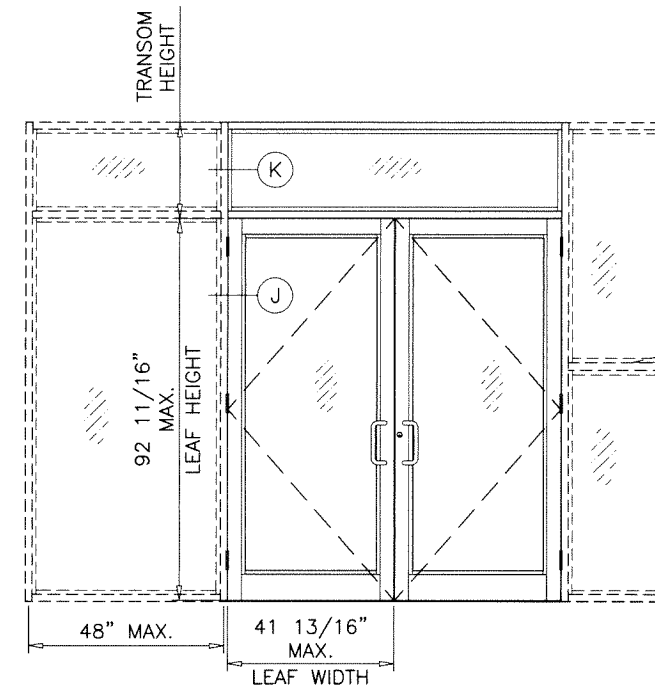
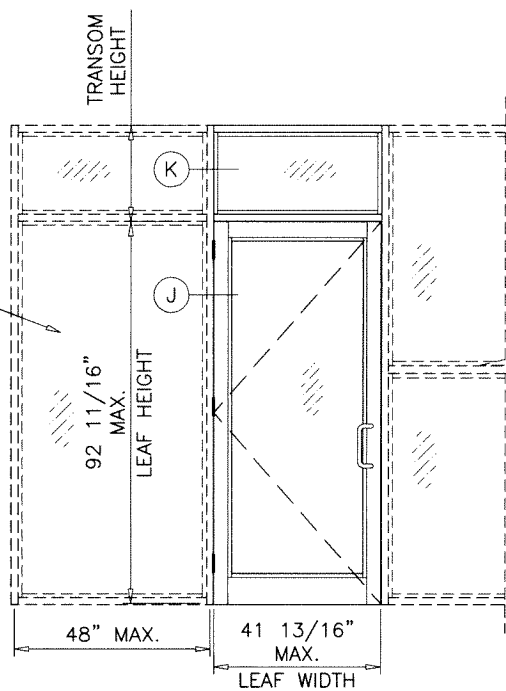
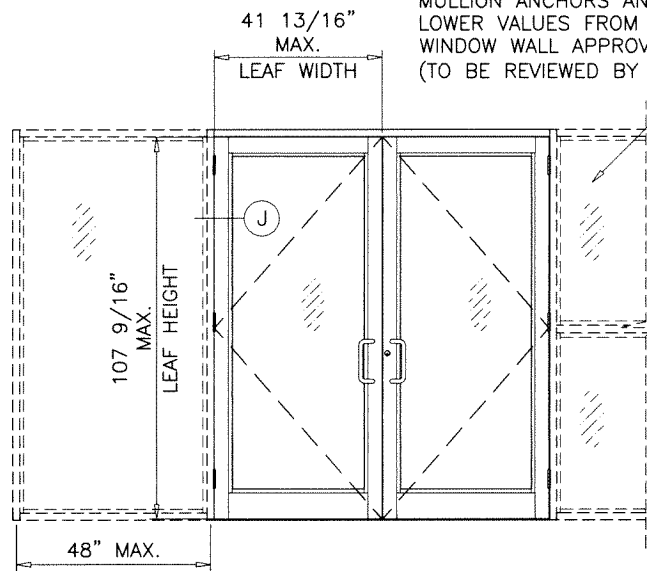
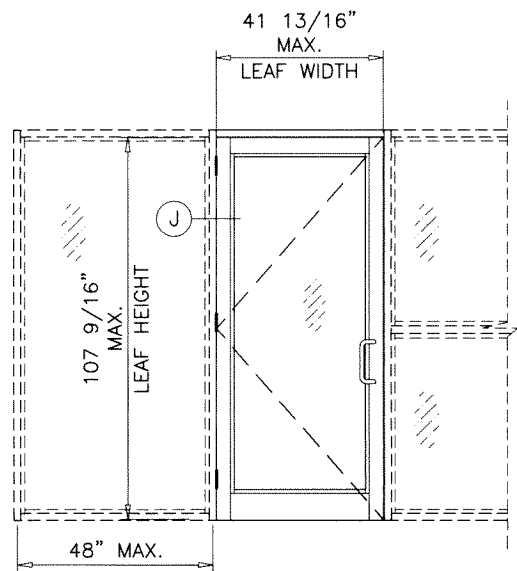
SERIES-MG500 ALUM OUTSWING FRENCH DOOR (L.M.I.)
MR-GLASS DOORS & WINDOWS MANUFACTURING, LLC
8051 N.W. 79th Place
Medley, FL. 33166
Tel. (305) 764-3963 Fax. (305) 470-8285

no	date	description

date: 04-20-18	scale: 3/8" = 1"
dr. by: TARIQ	chk. by:

drawing no.
18-47F
sheet 12.1 of 18

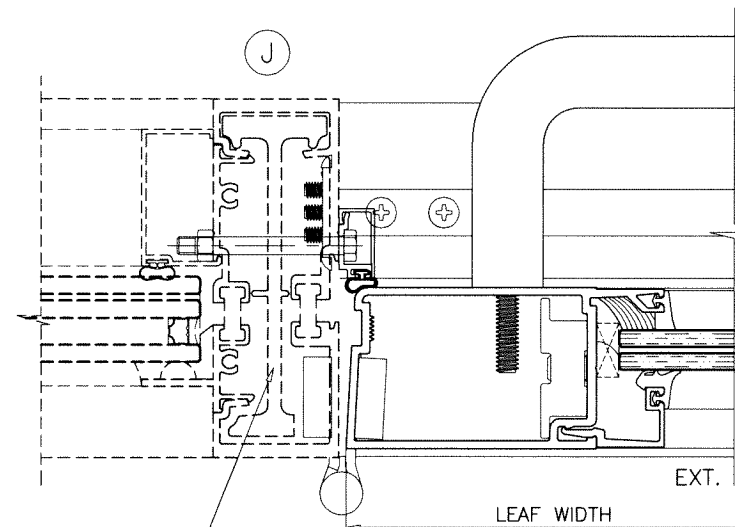
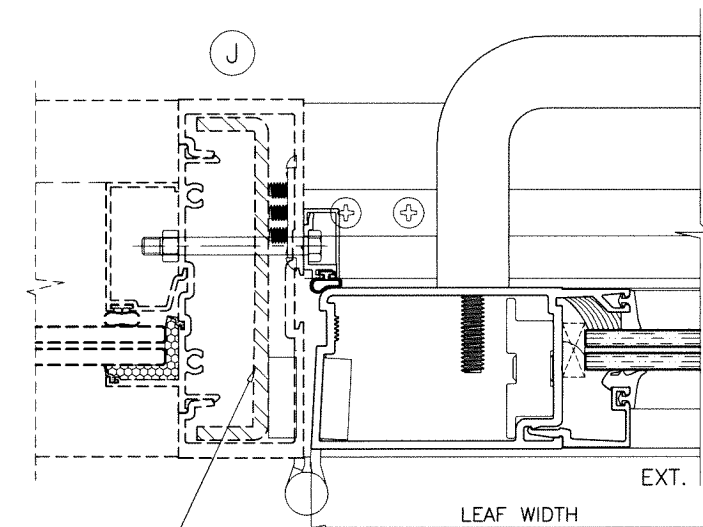
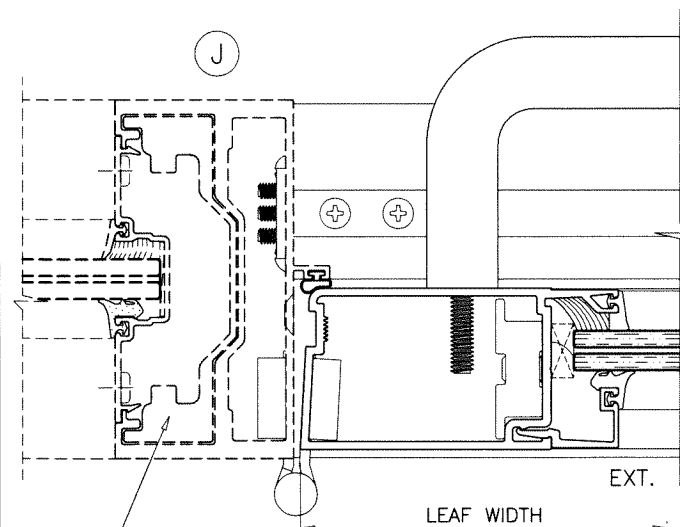
MG5000, 8000T OR 9500 WINDOW WALL SYSTEM
 SEE SEPARATE APPROVAL FOR DOOR MULLION, MULLION ANCHORS AND TRIBUTARY LOAD REQUIREMENTS
 LOWER VALUES FROM DOOR CAPACITY CHARTS OR WINDOW WALL APPROVAL WILL APPLY TO ENTIRE SYSTEM (TO BE REVIEWED BY AHJ)



F.B.C. APPROVED
 SERIES 9500 WINDOW WALL SYSTEM BY 'E.S. WDW.'
 UNDER SEPARATE APPROVAL.

F.B.C. APPROVED
 MG5000 WINDOW WALL SYSTEM BY 'MR. GLASS'
 UNDER SEPARATE APPROVAL.

F.B.C. APPROVED
 8000T WINDOW WALL SYSTEM BY 'E.S. WDW.'
 UNDER SEPARATE APPROVAL.

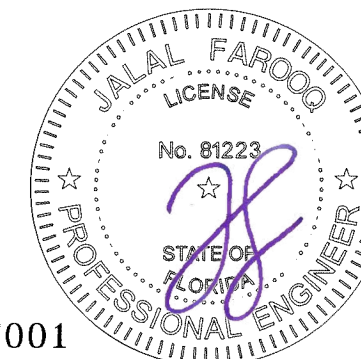


REINFORCING WILL VARY
 SEE CURRENT APPROVAL OF
 E.S. SERIES 9500
 WINDOW WALL SYSTEM
 FOR DETAILS

REINFORCING WILL VARY
 SEE CURRENT APPROVAL OF
 MR. GLASS MG5000
 WINDOW WALL SYSTEM
 FOR DETAILS

REINFORCING WILL VARY
 SEE CURRENT APPROVAL OF
 E.S. 8000T
 WINDOW WALL SYSTEM
 FOR DETAILS

Sealed: 8/1/2023

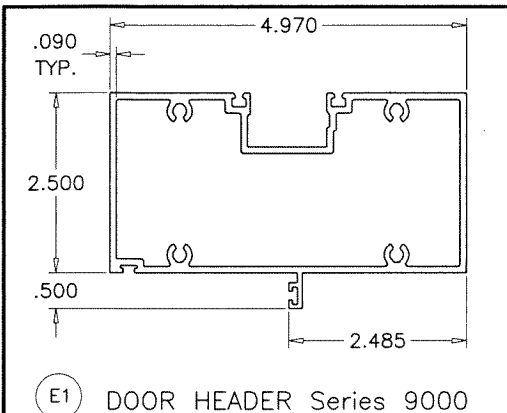


FL #27001

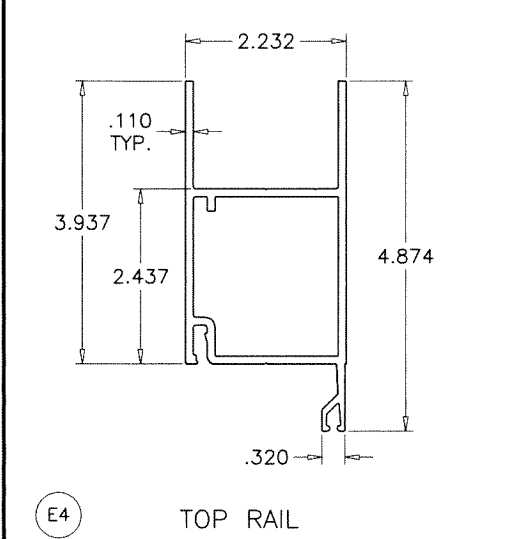
af c
AL-FAROOQ CORPORATION
 ENGINEERS & PRODUCT DEVELOPMENT
 9360 SUNSET DRIVE, SUITE 220
 MIAMI, FLORIDA 33173 (C.A.N. 3538)
 TEL. (305) 264-8100 FAX. (305) 262-6978
 COMP-ANL\18-47F-MG

SERIES-MG500 ALUM OUTSWING FRENCH DOOR (L.M.I.)
MR-GLASS DOORS & WINDOWS MANUFACTURING, LLC
 8051 N.W. 79th Place
 Medley, FL. 33166
 Tel. (305) 764-3963 Fax. (305) 470-8285

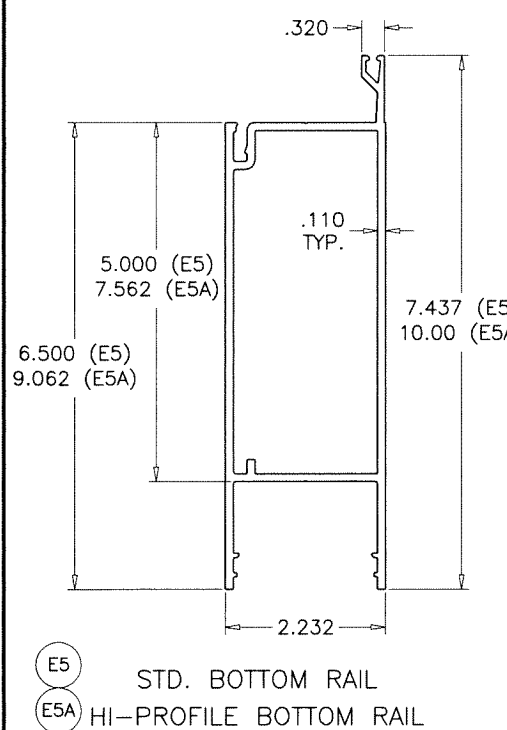
date:	04-20-18
scale:	1/2"=1'-0"
dr. by:	TARIQ
chk. by:	
drawing no.	18-47F
sheet	13 of 18



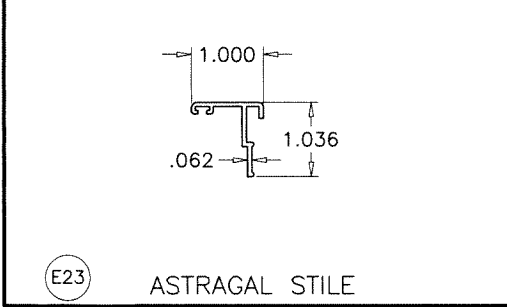
E1 DOOR HEADER Series 9000



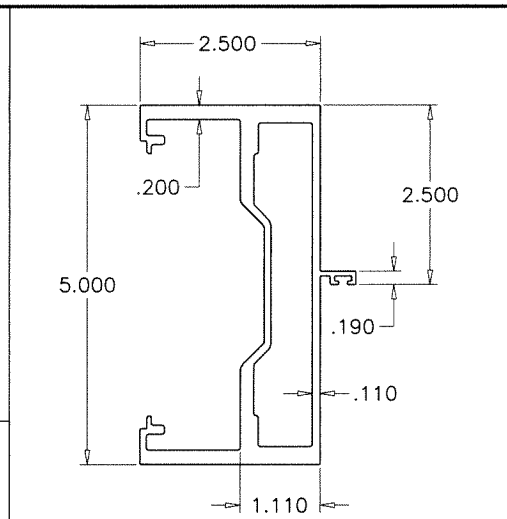
E4 TOP RAIL



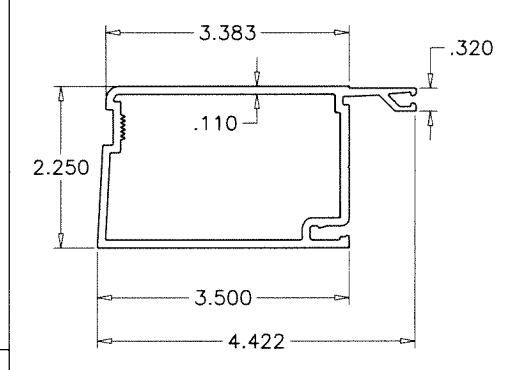
E5 STD. BOTTOM RAIL
E5A HI-PROFILE BOTTOM RAIL



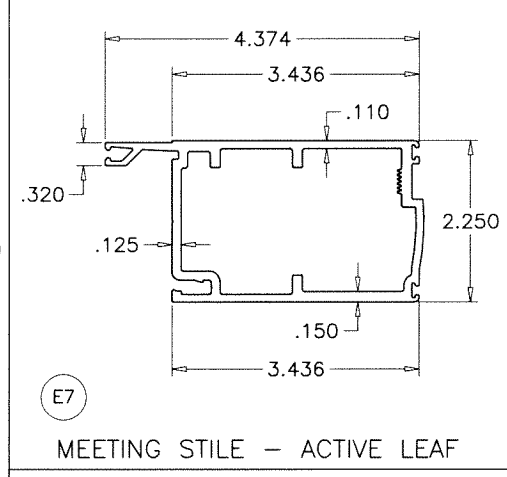
E23 ASTRAGAL STILE



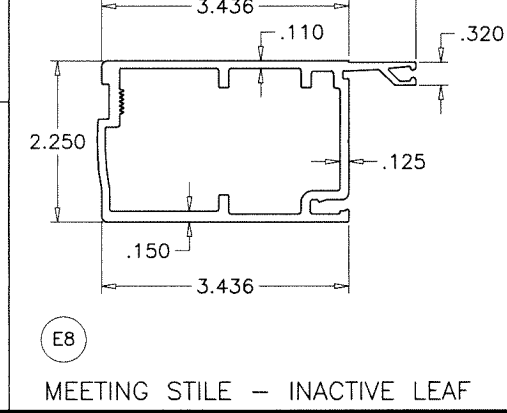
E3 DOOR JAMB Series 9000



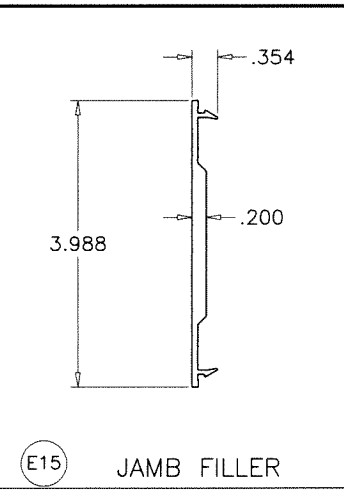
E6 HINGE/LOCK STILE



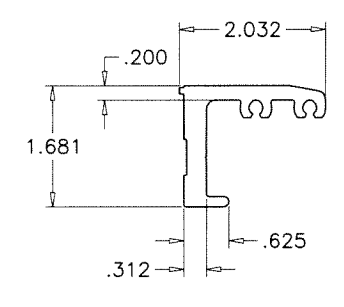
E7 MEETING STILE - ACTIVE LEAF



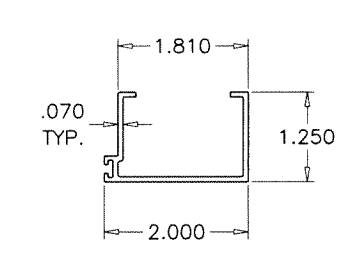
E8 MEETING STILE - INACTIVE LEAF



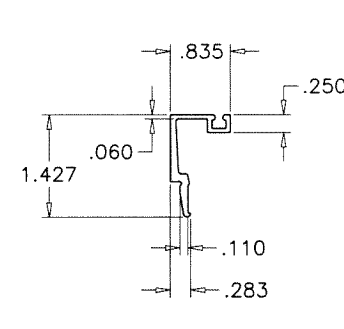
E15 JAMB FILLER



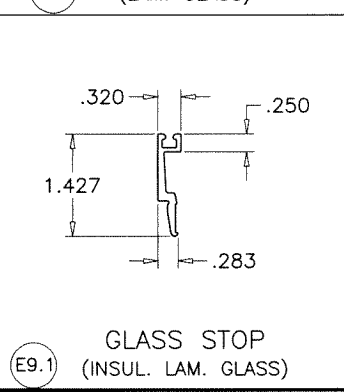
E10 CORNER BLOCK



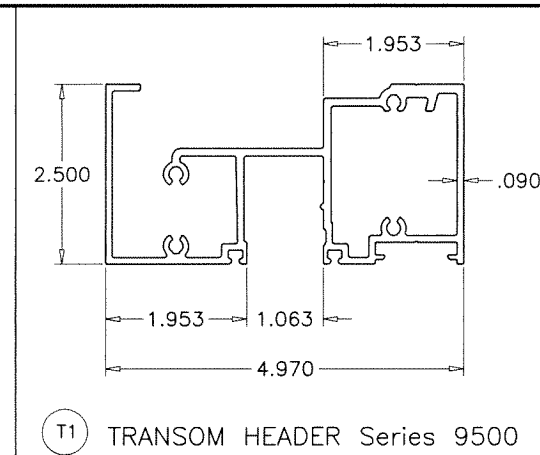
E18 CLOSURE DOOR STOP



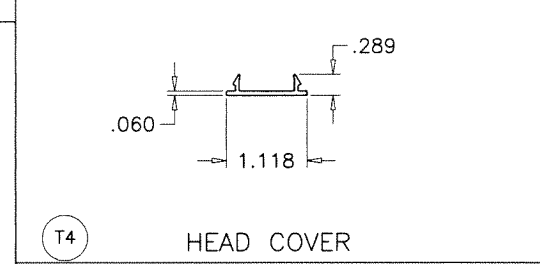
E9 GLASS STOP (LAM. GLASS)



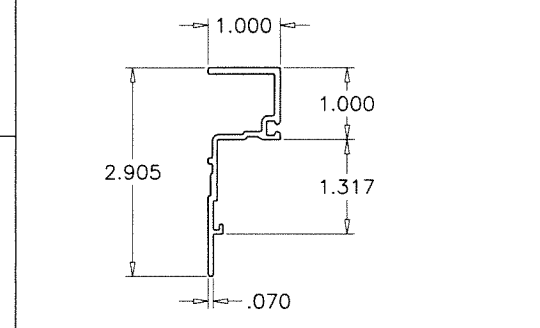
E9.1 GLASS STOP (INSUL. LAM. GLASS)



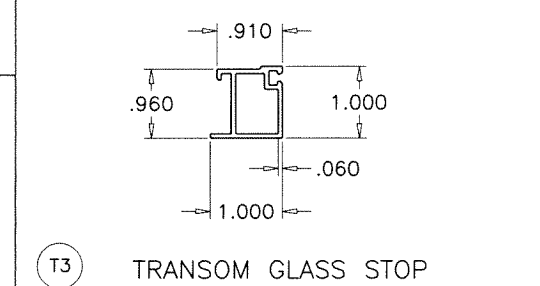
T1 TRANSOM HEADER Series 9500



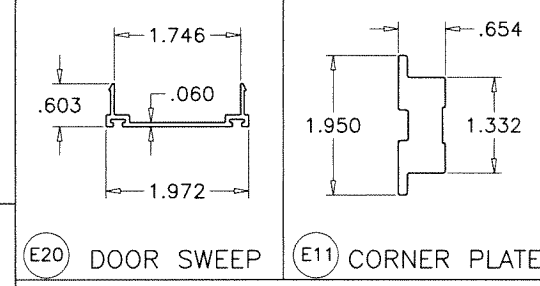
T4 HEAD COVER



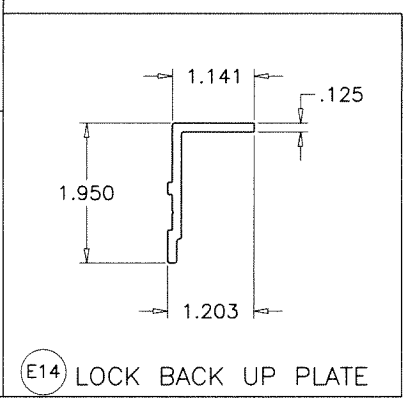
T2 TRANSOM ADAPTER



T3 TRANSOM GLASS STOP



E20 DOOR SWEEP E11 CORNER PLATE



E14 LOCK BACK UP PLATE

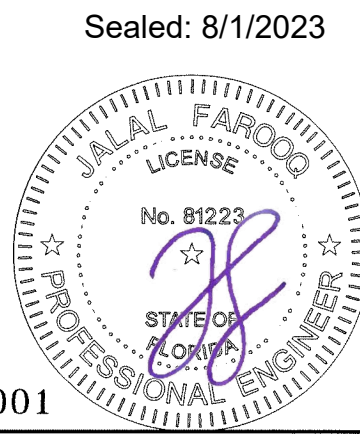
af c
AL-FAROOQ CORPORATION
 ENGINEERS & PRODUCT DEVELOPMENT
 9360 SUNSET DRIVE, SUITE 220
 MIAMI, FLORIDA 33173 (C.A.N. 3538)
 TEL. (305) 264-8100 FAX. (305) 262-6978
 COMP-ANL\18-47F-MG

SERIES-MG500 ALUM OUTSWING FRENCH DOOR (L.M.I.)
MR-GLASS DOORS & WINDOWS MANUFACTURING, LLC
 8051 N.W. 79th Place
 Medley, FL. 33166
 Tel. (305) 764-3963 Fax. (305) 470-8285

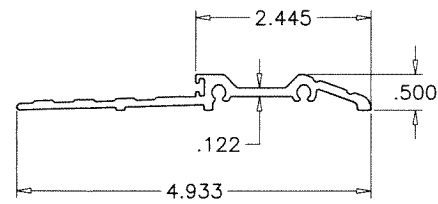
revisions:	no	date	by	description

date: 04-20-18
 scale: 3/8" = 1"
 dr. by: TARIQ
 chk. by:

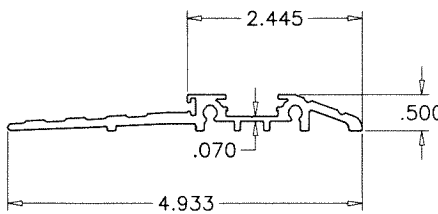
drawing no.
18-47F
 sheet 14 of 18



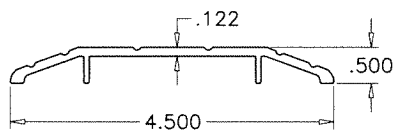
FL #27001



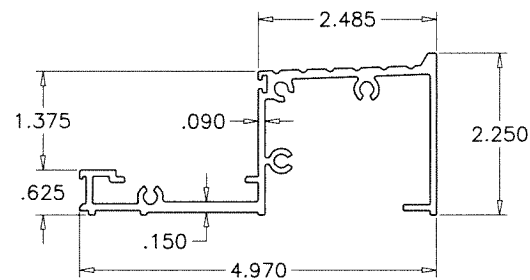
E2 STD. THRESHOLD
ES9014



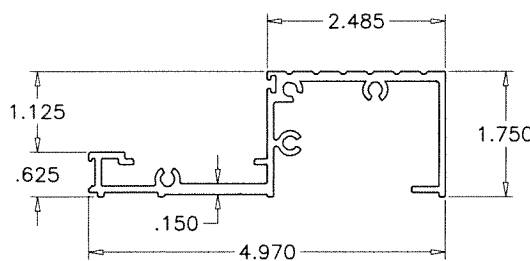
E2.1 ALT. STANDARD THRESHOLD



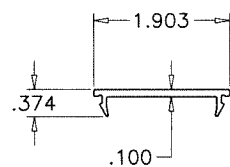
E2A SADDLE THRESHOLD
ES9015



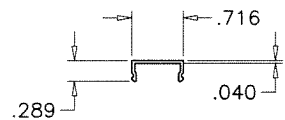
E2B HIGH THRESHOLD
APPR'D FOR WATER RESISTANCE



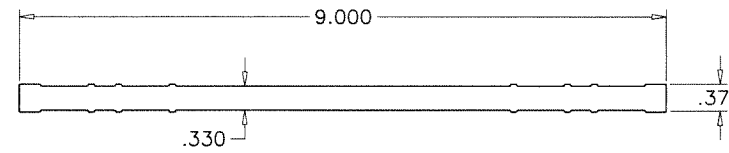
E2D MEDIUM THRESHOLD
NOT APPR'D FOR WATER RESISTANCE



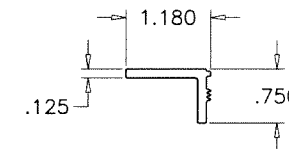
E2C THRESHOLD COVER
ES9027



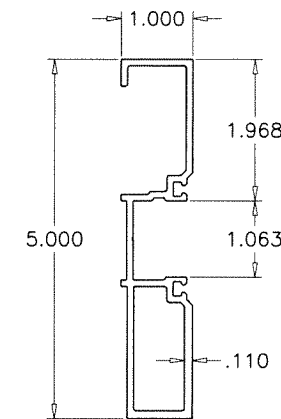
E2.2 SCREW COVER



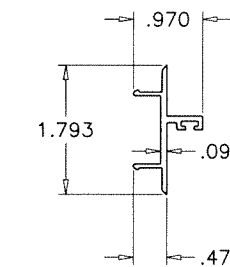
E13 HINGE BACKUP PLATE



E12 SUPPORT ANGLE

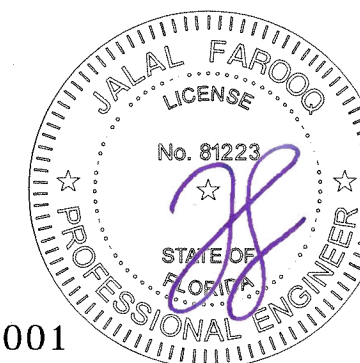


E3.1 NARROW DOOR JAMB



E3.2 NARROW JAMB
DOOR STOP

Sealed: 8/1/2023



FL #27001



AL-FAROOQ CORPORATION
ENGINEERS & PRODUCT DEVELOPMENT
9360 SUNSET DRIVE, SUITE 220
MIAMI, FLORIDA 33173 (C.A.N. 3538)
TEL. (305) 264-8100 FAX. (305) 262-6978

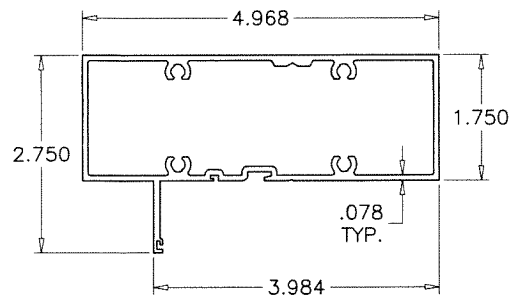
SERIES-MG500 ALUM OUTSWING FRENCH DOOR (L.M.I.)
MR-GLASS DOORS & WINDOWS MANUFACTURING, LLC
8051 N.W. 79th Place
Medley, FL. 33166
Tel. (305) 764-3963 Fax. (305) 470-8285

Revisions:	
no	description

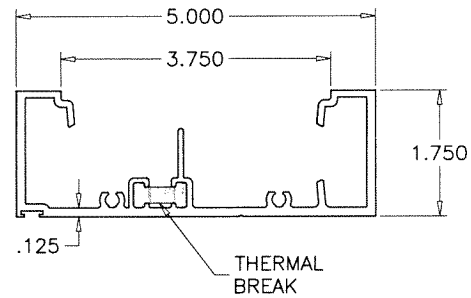
date: 04-20-18
scale: 3/8" = 1"
dr. by: TARIQ
chk. by:

drawing no.
18-47F
sheet 14.1 of 18

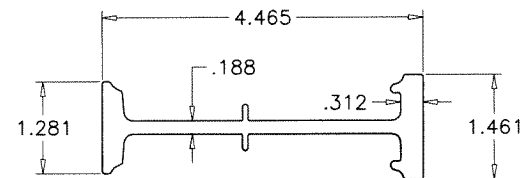
COMP-ANL\18-47F-MG



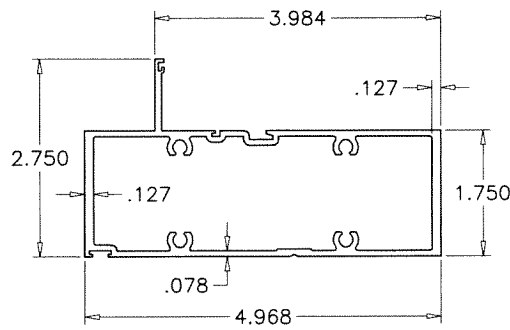
T5 TRANSOM HEAD S-8000



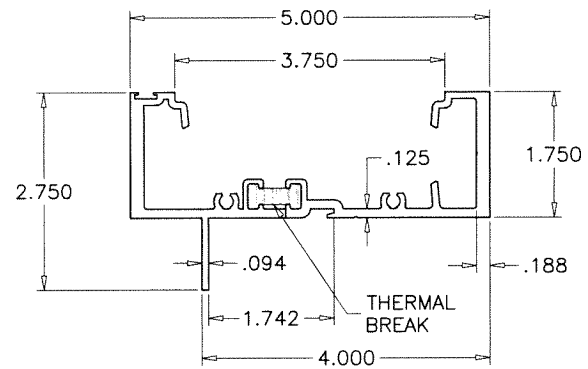
T5A TRANSOM HEAD S-8000T



T5C TRANSOM REINFORCING

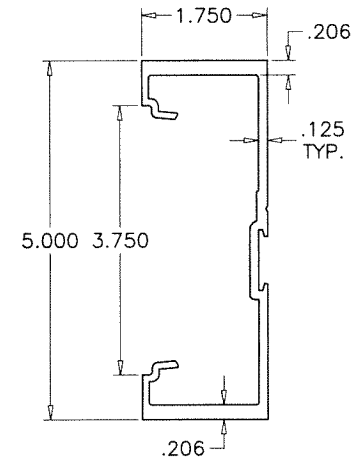


T6 TRANSOM HORIZONTAL S-8000

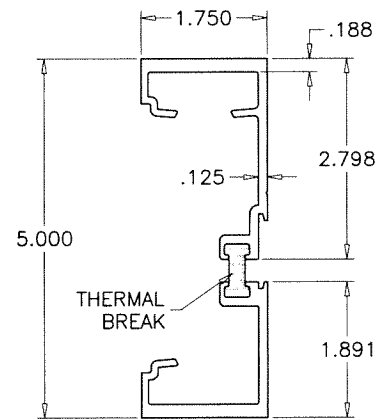


T5B TRANSOM HORIZONTAL S-8000T

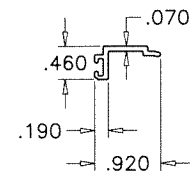
THERMAL BREAK:
FRAME MEMBERS FILLED AND DEBRIDGED USING
'BAYDUR TB 100-30' MANUFACTURED BY
'BAYER MATERIALSCIENCE, LLC.



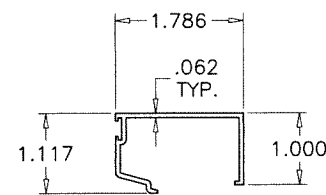
T7 TRANSOM JAMB S-8000



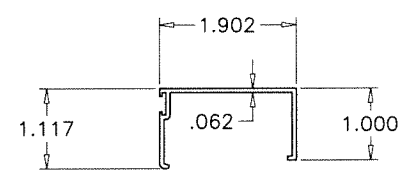
T7A TRANSOM JAMB S-8000T



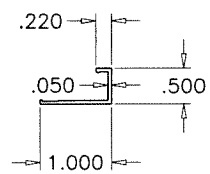
E21 DOOR STOP



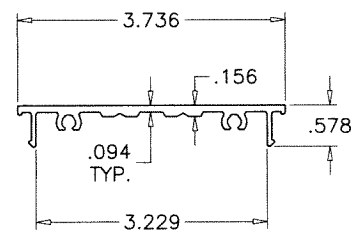
T9 TRANSOM GLASS STOP S-8000



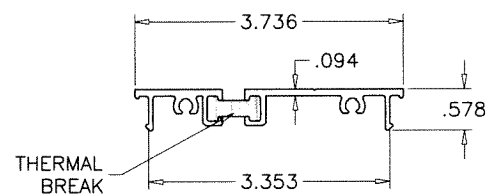
T9A TRANSOM GLASS STOP S-8000T



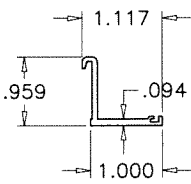
E22 DOOR STOP COVER



T8 JAMB FILLER S-8000

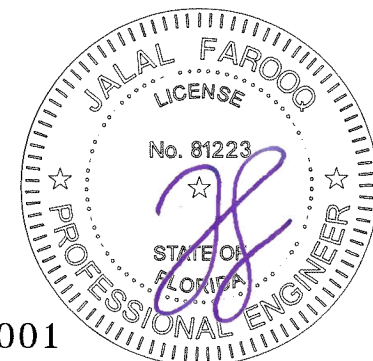


T8A TRANSOM SNAP-IN PLATE



T10 TRANSOM GLAZING ADAPTER

Sealed: 8/1/2023



FL #27001

af c
AL-FAROOQ CORPORATION
ENGINEERS & PRODUCT DEVELOPMENT
9360 SUNSET DRIVE, SUITE 220 (C.A.N. 3538)
MIAMI, FLORIDA 33173 FAX. (305) 262-6978
TEL. (305) 264-8100 COMP-ANL \ 18-47F-MG

SERIES-MG500 ALUM OUTSWING FRENCH DOOR (L.M.I.)
MR-GLASS DOORS & WINDOWS MANUFACTURING, LLC
8051 N.W. 79th Place
Medley, FL. 33166
Tel. (305) 764-3963 Fax. (305) 470-8285

no	date	by	description

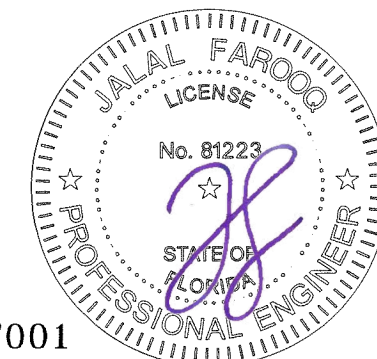
date: 04-20-18
scale: 3/8" = 1"
dr. by: TARIQ
chk. by:

drawing no.
18-47F
sheet 14.2 of 18

ITEM #	PART #	QUANTITY	DESCRIPTION	MATERIAL	MANF./SUPPLIER/REMARKS
E1	ES-9012	1	DOOR HEADER	6061-T6	-
E2	ES-9014	1	STANDARD THRESHOLD	6063-T6	-
E2.1	ES-9000-030	1	ALT. STANDARD THRESHOLD	6061-T6	-
E2.2	ES-6011	1	SCREW COVER	6063-T6	-
E2A	ES-9015	1	SADDLE THRESHOLD	6063-T6	-
E2B	ES-9026	1	HIGH THRESHOLD	6063-T6	-
E2C	ES-9027	1	THRESHOLD COVER	6063-T5	-
E2D	ES-9000-036	1	MEDIUM THRESHOLD	6063-T6	-
E3	ES-9013	2	DOOR JAMB	6063-T6	-
E3.1	ES-7530-213	2	NARROW DOOR JAMB	6063-T6	-
E3.2	ES-7530-214	2	NARROW JAMB DOOR STOP	6063-T6	-
E4	ES-9001	2	TOP RAIL	6063-T5	-
E5	ES-9002	2	STD. BOTTOM RAIL	6063-T6	-
E5A	ES-9000-031	2	HI-PROFILE BOTTOM RAIL	6063-T6	-
E6H	ES-9003	2	HINGE/LOCK STILE	6063-T5	-
E7	ES-9006	1	MEETING STILE - ACTIVE LEAF	6063-T5	-
E8	ES-9007	1	MEETING STILE - INACTIVE LEAF	6063-T5	-
E9	ES-9004	4	GLASS STOP (LAM. GLASS)	6063-T5	-
E9.1	ES-9029	4	GLASS STOP (INSUL. LAM. GLASS)	6063-T5	-
E10T	ES-9008	4	CORNER BLOCK -TOP	6063-T5	-
E10B	ES-9008	4	CORNER BLOCK - BOTTOM	6063-T5	-
E11T	ES-9009	4	CORNER PLATE - TOP	6063-T5	-
E11B	ES-9009	4	CORNER PLATE - BOTTOM	6063-T5	-
E12	ES-9010	4	SUPPORT ANGLE	6063-T5	3/4" X 1" X 1/8" X 9" LONG
E13	ES-9011	AS RQD.	HINGE BACKUP PLATE REINFORCEMENT	6063-T5	1-1/4" X 9" X 3/8" THK.
E13A	12-24 X 1/2"	4/ PLATE	HINGE BACKUP PLATE FASTENERS	ST. STEEL	FH MACHINE SCREWS
E14	ES-9020	1	LOCK BACKUP PLATE REINFORCEMENT	6063-T5	10" LONG
E14A	8-32 X 1/2"	3/ PLATE	LOCK PLATE FASTENERS	ST. STEEL	PH MACHINE SCREWS
E15	ES-9016	AS RQD.	JAMB FILLER	6063-T6	-
E16	ES-9017	AS RQD.	REINFORCEMENT	6063-T6	-
E17	ES-9021	1/ CLOSER	CLOSER SUPPORT CLIPS (PAIR)	6063-T5	-
E18	ES-9022	1	CLOSER DOOR STOP	6063-T5	-
E19	ES-9023	1/ CLOSER	CLOSER COVER PLATE	6063-T5	-
E20	ES-9005	-	DOOR SWEEP	-	-
E21	ES-9051	-	DOOR STOP	-	-
E22	ES-9052	-	DOOR STOP COVER	-	-
E23	ES-9060	-	ASTRAGAL STILE	6063-T5	SECURED WITH #8 X 1/2" SMS AT 12" O.C.
M1	-	28	#12 x 1" P.H. ST/ST SMS	-	-
M2	-	AS RQD.	#12 - 24 x 1" F.H. ST/ST MS	-	-
M3	-	18	#8 - 32 x 1/2" P.H. ST/ST MS	-	-
M4	-	16	3/8" - 16 x 1" HEX. BOLT	-	-
M5	ES-9000-G01	AS RQD.	WEDGE GASKET	SILICONE	DUROMETER 70±5 SHORE A
M6	ES-9000-G02	AS RQD.	SPACER GASKET	EPDM	DUROMETER 70±5 SHORE A
M7	ES-9000-G03	AS RQD.	BULB VINYL, BASE-POLYPROPYLENE, BULB-TPE	-	ULTRAFAB, DUROMETER 73±5 SHORE A
M8	ES-9000-B01	AS REQD.	SETTING BLOCKS (LAM. GLASS) AT 1/4 POINTS	EPDM	DUROMETER 80±5 SHORE A
M8.1	ES-9000-B02A	AS REQD.	SETTING BLOCKS (INSUL. LAM. GLASS) AT 1/4 POINTS	EPDM	DUROMETER 80±5 SHORE A
M9	-	AS RQD.	HINGE 4 1/2" x 4"	-	-
M9A	-	AS RQD.	OFFSET PIVOT HINGE	ALUMINUM	-
M9B	60AT 2-TLG	AS REQD.	RESIDENTIAL HINGE	-	DR. HAHN
M12	-	1	3 POINT LOCK	-	-
M13	-	1	KEY CYLINDER	-	-
M14	-	1	THUMBTURN	-	-
M15	-	1	2 POINT LOCK	-	-
M16	-	1/ LEAF	DOOR CLOSURE	-	-
M17	-	2	PUSH - PULL	-	-
M19	W13273NK	AS RQD.	PILE W'STRIPPING - HEADER	WOOL	-
M20	W23451NK	AS RQD.	PILE - MTG STILES	WOOL	-
M22	-	1/ CLOSER	CHANNEL SPACER 5/8" X 1-7/8"	-	-
M23	-	2	THRESHOLD CLIP	-	-

ITEM #	PART #	QUANTITY	DESCRIPTION	MATERIAL	MANF./SUPPLIER/REMARKS
M26	-	2/ CLOSER	1/4 - 20 x 2" HEX. BOLT	-	-
M27	-	3/ CLOSER	#10 x 1" P.H. ST/ST SMS	-	-
M28	-	6/ CLOSER	#10 x 1" F.H. ST/ST SMS	-	-
M29	-	3/ CLOSER	#10 x 1" F.H. ST/ST SMS	-	-
M30	-	AS RQD.	#10 x 1 1/2" F.H. ST/ST SMS, AT 23" O.C.	ST. STEEL	-
M31	W13351NK	AS RQD.	PILE - DOOR SWEEP	WOOL	-
M32	W13275NK	AS RQD.	PILE - HEADER	WOOL	-
T1	ES-9506	-	TRANSOM HEADER Series 9500	6063-T6	-
T2	ES-9019	-	TRANSOM ADAPTER	6063-T5	-
T3	ES-9018	-	TRANSOM GLASS STOP	6063-T5	-
T4	ES-9502	-	HEAD COVER	6063-T5	-
T5	ES-8005	AS REQD.	TRANSOM HEAD S-8000	6005-T6	-
T5A	ES-8000T-018	AS REQD.	TRANSOM HEAD S-8000T	6005-T5	-
T5B	ES-8000T-017	AS REQD.	TRANSOM HORIZONTAL S-8000T	6061-T6	-
T5C	ES-8000T-006	AS REQD.	TRANSOM REINFORCING	6005-T5	-
T6	ES-8013	AS REQD.	HORIZONTAL AT DOOR S-8000	6061-T6	-
T7	ES-8012	AS REQD.	TRANSOM JAMB S-8000	6005-T6	-
T7A	ES-8000T-009T	AS REQD.	TRANSOM JAMB S-8000T	6005-T6	-
T8	ES-8003	AS REQD.	JAMB FILLER S-8000	6005-T5	-
T8A	ES-8000T-003	AS REQD.	HEAD/JAMB FILLER S-8000T	6005-T5	-
T9	ES-8006	AS REQD.	TRANSOM GLASS STOP S-8000	6063-T5	-
T9A	ES-8000T-005	AS REQD.	TRANSOM GLASS STOP S-8000T	6063-T5	-
T10	ES-8014	AS REQD.	TRANSOM GLAZING ADAPTER	6063-T6	-
MT1	-	-	#10 x 1/2" F.H. ST/ST SMS	-	-
MT2	-	-	TRIM GASKET	SILICONE	-
MT3	-	-	INTERIOR SPACER 1/4" x 1/4"	FOAM	-
MT4	-	AS REQD.	SETTING BLOCKS (1/16" x 3/4") AT 1/4 POINTS	EPDM	DUROMETER 80±5 SHORE A
MT4A	-	AS REQD.	SETTING BLOCKS (3/16" x 1/2") AT 1/4 POINTS	EPDM	DUROMETER 85±5 SHORE A
MT4B	ES-7530-B01A	AS REQD.	SETTING BLOCKS AT 1/4 POINTS	EPDM	DUROMETER 80±5 SHORE A
MT5	ES-8010	AS REQD.	INTERIOR GLAZING GASKET	EPDM	DUROMETER 60±5 SHORE A
MT6	ES-8011A	AS REQD.	BUMP-ON GLASS SPACER	SILICONE	DUROMETER 85±5 SHORE A
MT7	ES-8009	AS REQD.	SILICONE STOP	SILICONE	-

Sealed: 8/1/2023



FL #27001

AL-FAROOQ CORPORATION
 ENGINEERS & PRODUCT DEVELOPMENT
 9360 SUNSET DRIVE, SUITE 220
 MIAMI, FLORIDA 33173 (C.A.N. 3538)
 TEL. (305) 264-8100 FAX. (305) 262-6978
 COMP-ANL\18-47F-MC

SERIES-MG500 ALUM OUTSWING FRENCH DOOR (L.M.I.)
MR-GLASS DOORS & WINDOWS MANUFACTURING, LLC
 8051 N.W. 79th Place
 Medley, FL 33166
 Tel. (305) 764-3963 Fax. (305) 470-8285

revisions:	no date by description
date: 04-20-18	scale: 3/8" = 1"
	dr. by: TARIQ
	chk. by:
drawing no. 18-47F	
sheet 15 of 18	

LOCKS: (See Tables On Sheets 2 Thru 6 For Load Capacities)

OPTION #1: LIMIT MAX. LOADS TO ±80.0 PSF

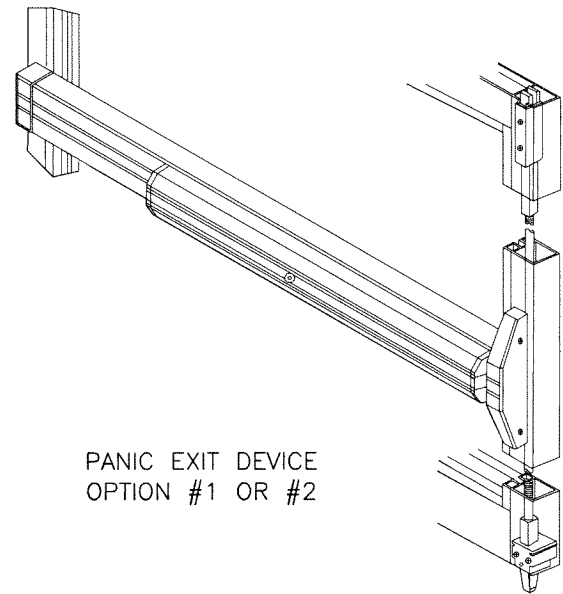
ACTIVE & INACTIVE LEAF:

CONCEALED VERTICAL ROD PANIC EXIT DEVICE BY 'JACKSON PANIC SYSTEM' #1285 LOCATED AT 41" FROM SILL AT EACH LEAF.

- FASTENED WITH
 (1) #14 X 1" HH SELF DRILLING SCREW AT ONE END AND
 (2) #12-24 X 1/2" OH MACHINE SCREWS AT OTHER END
 OR

CONCEALED VERTICAL ROD PANIC EXIT DEVICE BY 'ADAMS RITE' LOCATED AT 40" FROM SILL AT EACH LEAF.

- FASTENED WITH
 (2) #10-32 X 3/4" FH MACHINE SCREWS AT ONE END AND
 (2) #10-24 X 1/2" FH MACHINE SCREWS AT OTHER END



PANIC EXIT DEVICE
OPTION #1 OR #2

CONCEALED BOLTS ENGAGEMENT INTO FRAMES = 1/2" MIN. TYP.

OPTION #2: LIMIT MAX. LOADS TO +80.0, -90.0 PSF

ACTIVE & INACTIVE LEAF:

CONCEALED VERTICAL ROD PANIC EXIT DEVICE BY 'JACKSON PANIC SYSTEM' #2086 LOCATED AT 41" FROM SILL AT EACH LEAF.

- FASTENED WITH
 (1) #14 X 1" HH SELF DRILLING SCREW AT ONE END AND
 (2) #12-24 X 1/2" OH MACHINE SCREWS AT OTHER END
 OR

CONCEALED VERTICAL ROD PANIC EXIT DEVICE BY 'DOR-O-MATIC' LOCATED AT 40" FROM SILL AT EACH LEAF.

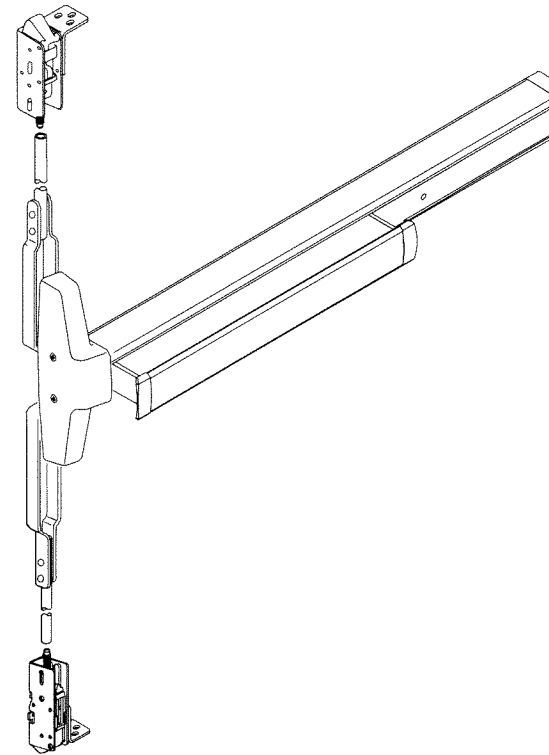
- FASTENED WITH
 (2) #12-24 X 1/2" FH MACHINE SCREWS AT ONE END

OPTION #2.1: LIMIT MAX. LOADS TO ±90.0 PSF

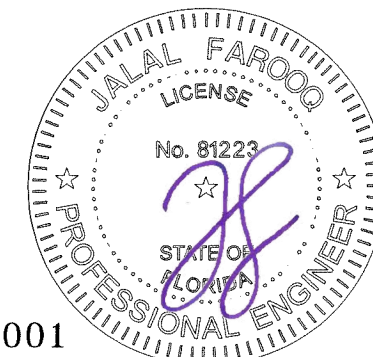
ACTIVE & INACTIVE LEAF:

CONCEALED VERTICAL ROD PANIC EXIT DEVICE SERIES 3347 BY 'VON DUPRIN' LOCATED AT 40" FROM SILL AT EACH LEAF.

- FASTENED WITH
 (2) #10-32 X 3/4" FH MACHINE SCREWS AT ONE END AND
 (2) #10-24 X 1/2" FH MACHINE SCREWS AT OTHER END



Sealed: 8/1/2023



FL #27001

af c
AL-FAROOQ CORPORATION
 ENGINEERS & PRODUCT DEVELOPMENT
 9360 SUNSET DRIVE, SUITE 220
 MIAMI, FLORIDA 33173 (C.A.N. 3538)
 TEL. (305) 264-8100 FAX. (305) 262-6978
 COMP-ANL\18-47F-MG

SERIES-MG500 ALUM OUTSWING FRENCH DOOR (L.M.I.)
MR-GLASS DOORS & WINDOWS MANUFACTURING, LLC
 8051 N.W. 79th Place
 Medley, FL. 33166
 Tel. (305) 764-3963 Fax. (305) 470-8285

revisions:	
no	description

date: 04-20-18
 scale: 3/8" = 1"
 dr. by: TARIQ
 chk. by:

drawing no.
18-47F
 sheet 16 of 18

LOCKS: (See Tables On Sheets 2 Thru 6 For Load Capacities)

OPTION #3:

ACTIVE LEAF:

KEY OPERATED THREE POINT LOCK SYSTEM 4015/4016 BY 'ADAMS RITE' WITH CONCEALED FLUSH BOLTS AT TOP & BOTTOM OF LOCK STILE AND A THUMB TURN ON THE INTERIOR, LOCATED AT 40" FROM BOTTOM OF PANEL FASTENED WITH
(2) #12-24 X 1/2" FH MACHINE SCREWS

INACTIVE LEAF:

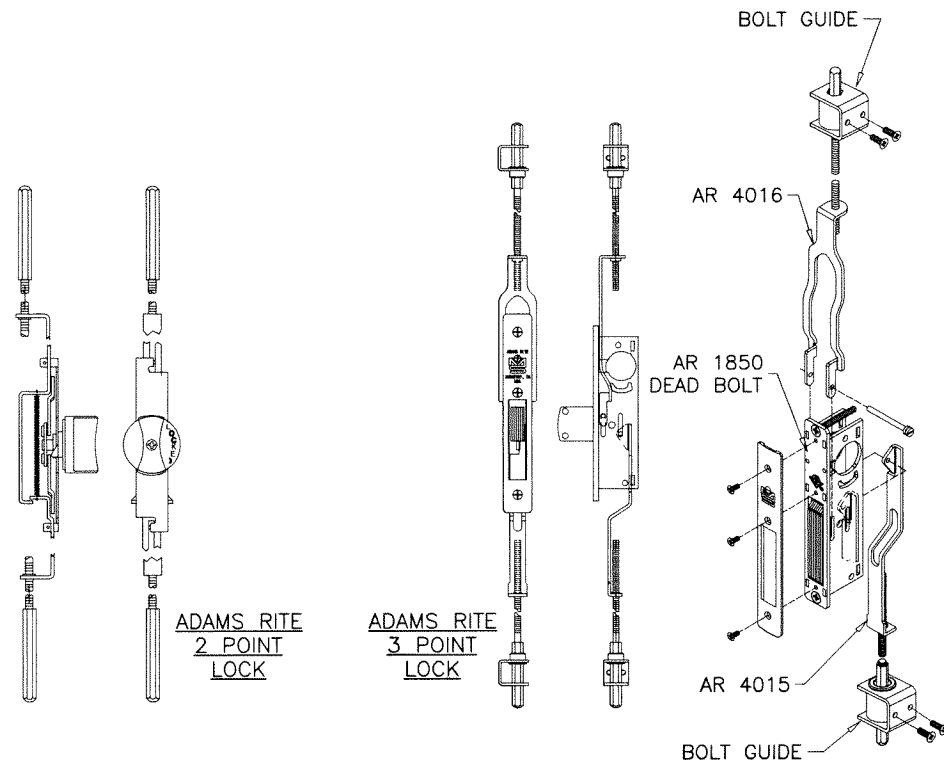
MANUALLY OPERATED TWO POINT LOCK SYSTEM 1880/81 BY 'ADAMS RITE' WITH CONCEALED FLUSH BOLTS AT TOP & BOTTOM OF LOCK STILE AND A THUMB TURN ON THE INTERIOR, LOCATED AT 40" FROM BOTTOM OF PANEL FASTENED WITH
(2) #8-32 X 1/4" PH MACHINE SCREWS

ACTIVE LEAF:

SURFACE MOUNT 3 POINT MORTISE LOCK SYSTEM BY 'INTERLOCK USA'
KEY OPERATED ON EXTERIOR AND THUMB TURN ON INTERIOR
LEVER TYPE HANDLE AT 40" FROM BOTTOM
ACTIVATES SHOOT BOLTS ENGAGING AT HEAD AND SILL
FASTENED WITH
(2) #10 X 3/4" FH SMS

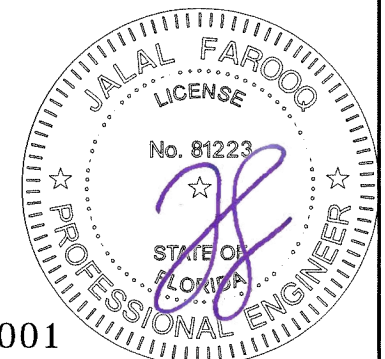
INACTIVE LEAF:

SURFACE MOUNT 2 POINT LOCK SYSTEM BY 'INTERLOCK USA'
LEVER TYPE HANDLE AT 40" FROM BOTTOM
ACTIVATES SHOOT BOLTS ENGAGING AT HEAD AND SILL
FASTENED WITH
(2) #10 X 3/4" FH SMS



CONCEALED BOLTS ENGAGEMENT INTO FRAMES = 1/2" MIN. TYP.

Sealed: 8/1/2023



FL #27001

af c
AL-FAROOQ CORPORATION
ENGINEERS & PRODUCT DEVELOPMENT
9360 SUNSET DRIVE, SUITE 220 (C.A.N. 3538)
MIAMI, FLORIDA 33173 TEL. (305) 262-6978
FAX. (305) 264-8100

SERIES-MG500 ALUM OUTSWING FRENCH DOOR (L.M.I.)
MR-GLASS DOORS & WINDOWS MANUFACTURING, LLC
8051 N.W. 79th Place
Medley, FL. 33166
Tel. (305) 764-3963 Fax. (305) 470-8285

no	date	by	description

date: 04-20-18
scale: 3/8" = 1"
dr. by: TARIQ
chk. by:

drawing no.
18-47F

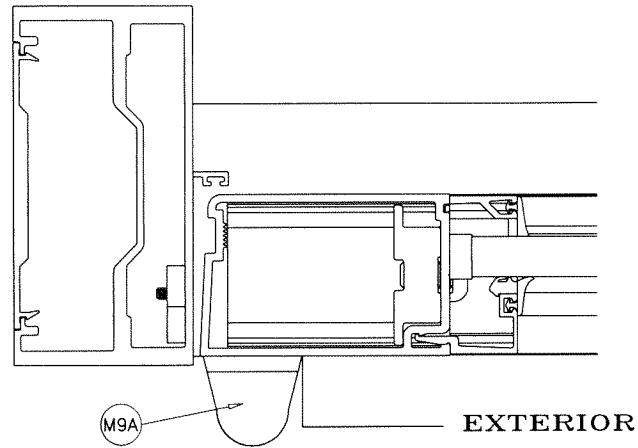
sheet 16.1 of 18

COMP-ANL\18-47F-MG

HINGES: (See Tables On Sheets 2 Thru 6 For Load Capacities)

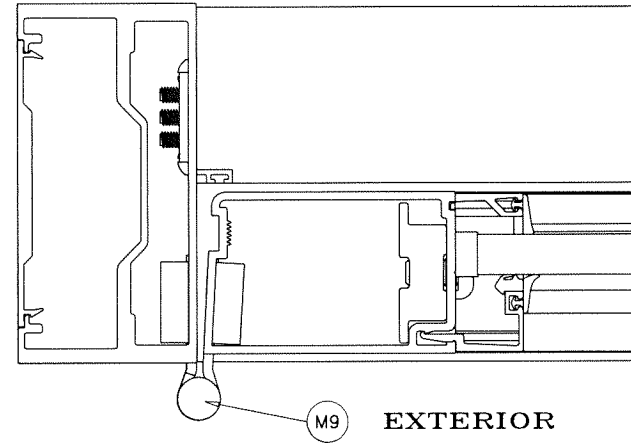
OPTION #1:

OFFSET PIVOT HINGES
ALUMINUM AT TOP AND BOTTOM
FASTENED TO FRAME AND THRESHOLD WITH
#10-24 X 1/2" FH THREAD CUTTING SCREWS
(2) AT THRESHOLD, (2) AT JAMB BOTTOM
(3) AT FRAME HEAD
HEAVY DUTY BRASS OR BRONZE AT MIDSPAN
FASTENED TO FRAME AND LEAF WITH
(4) 1/4-20 X 5/8" MS



OPTION #2:

4 X 4-3/4" ST. STEEL BALL BEARING BUTT HINGES
LOCATED AT
11" FROM TOP & BOTTOM AND AT MIDSPAN
FASTENED TO DOOR FRAME AND LEAF STILE WITH
(4) #12-24 X 1/2" FH MACHINE SCREWS PER HASP

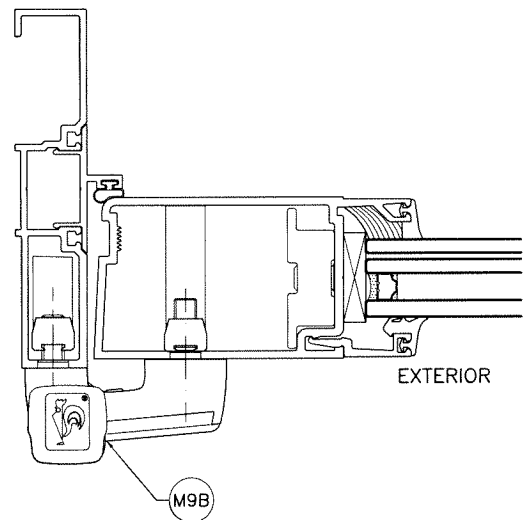


OPTION #2.1:

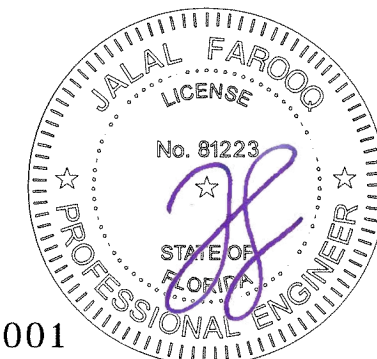
4 X 4-3/4" ST. STEEL BALL BEARING BUTT HINGES
(4) PER LEAF
(1) AT 9-5/8" FROM TOP TO CL OF HINGE
(1) AT 10-5/16" FROM BOTTOM TO CL OF HINGE
(2) INTERMEDIATE HINGES EQUALLY SPACED FROM
TOP AND BOTTOM HINGE
FASTENED TO DOOR FRAME AND LEAF STILE WITH
(4) #12-24 X 1/2" FH MACHINE SCREWS PER HASP

OPTION #3: LIMIT MAX. LOADS TO ±90.0 PSF

SERIES 60AT (DR HAHN A701) DIE CAST ALUMINUM HINGE
BY 'DR HAHN'
(2) HINGES PER LEAF AT 6" FROM TOP & BOTTOM



Sealed: 8/1/2023



FL #27001

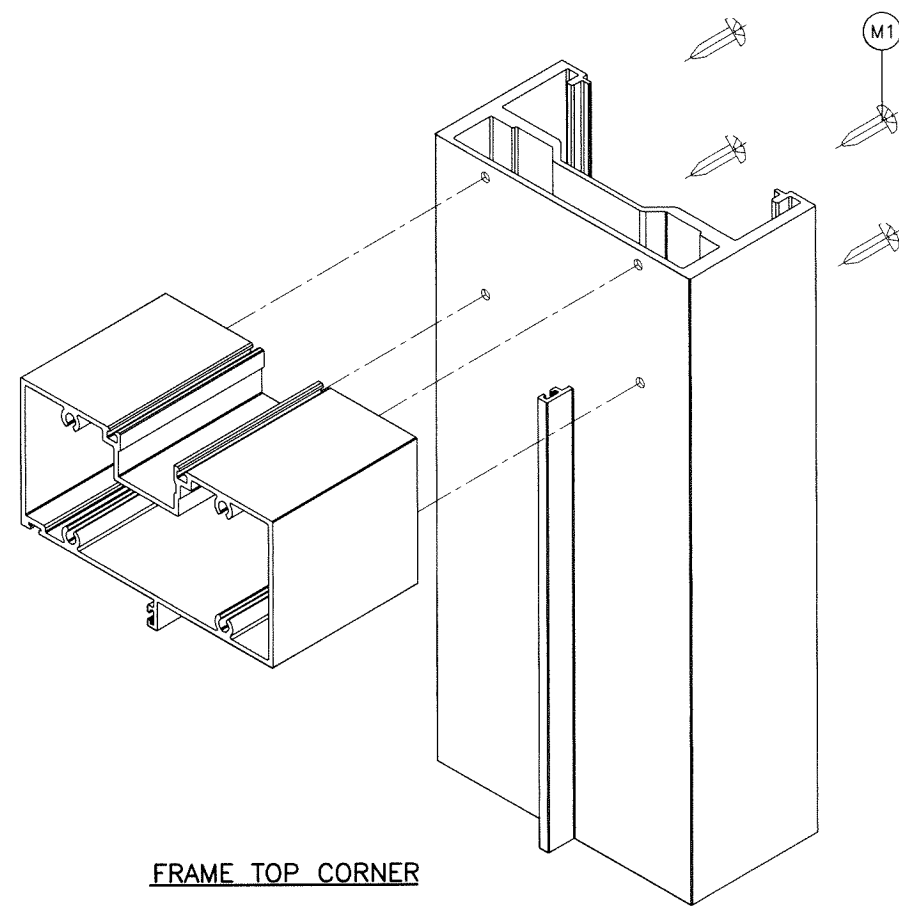
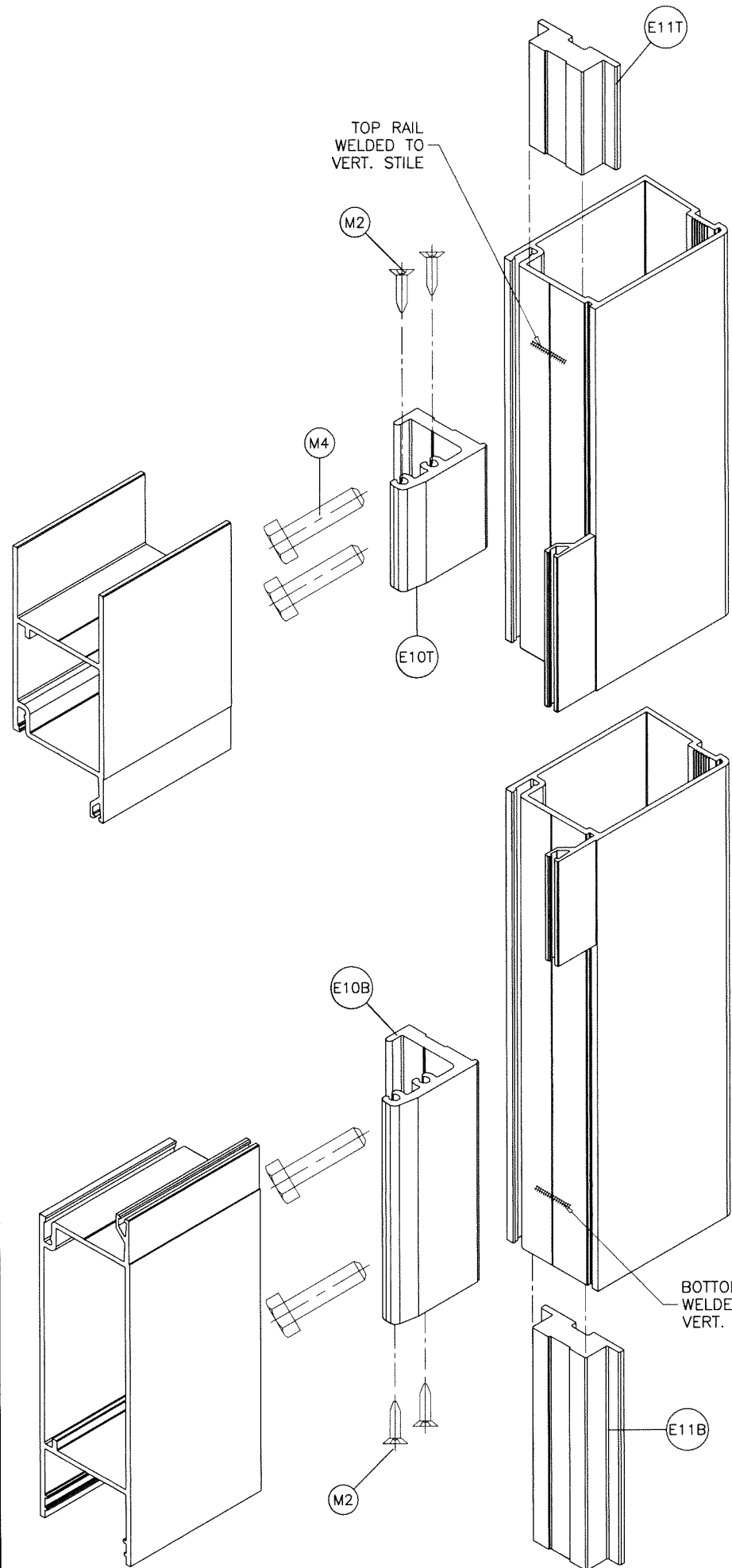
af c
AL-FAROOQ CORPORATION
ENGINEERS & PRODUCT DEVELOPMENT
9360 SUNSET DRIVE, SUITE 220 (C.A.N. 3538)
MIAMI, FLORIDA 33173
TEL. (305) 264-8100 FAX. (305) 262-6978
COMP-ANL\18-47F-MC

SERIES-MG500 ALUM OUTSWING FRENCH DOOR (L.M.I.)
MR-GLASS DOORS & WINDOWS MANUFACTURING, LLC
8051 N.W. 79th Place
Medley, FL 33166
Tel. (305) 764-3963 Fax. (305) 470-8285

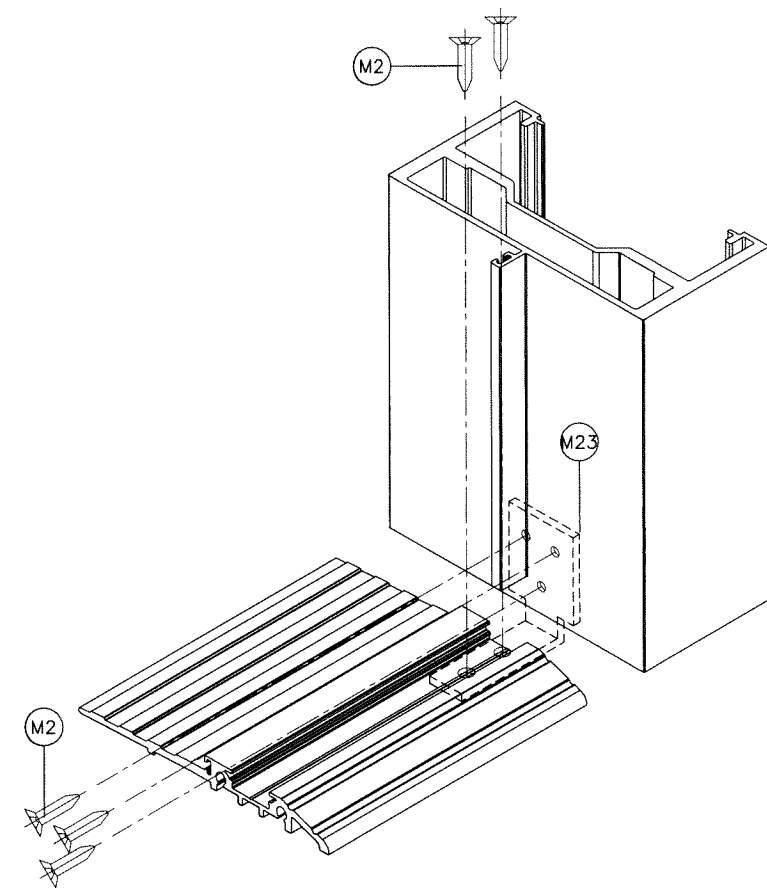
revisions:	no	date	by	description

date: 04-20-18
scale: 3/8" = 1"
dr. by: TARIQ
chk. by:

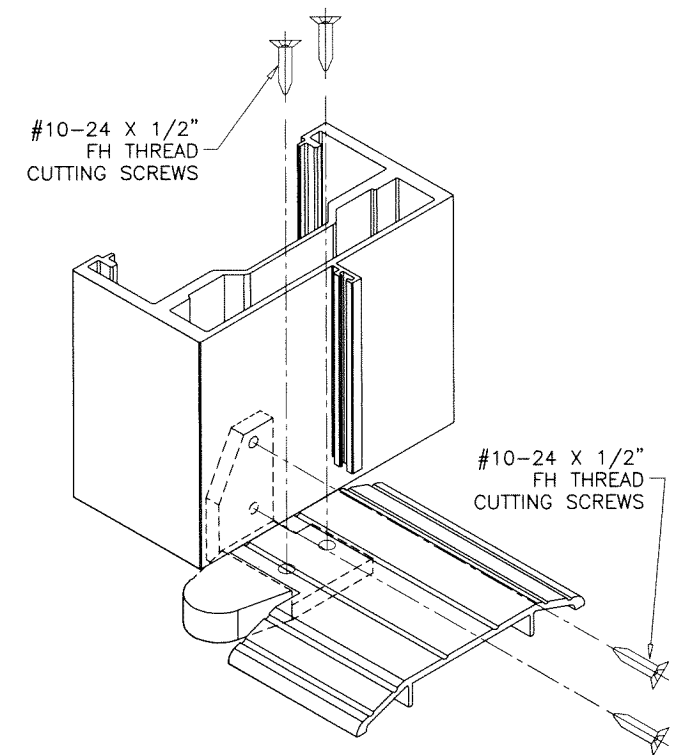
drawing no.
18-47F
sheet 16.2 of 18



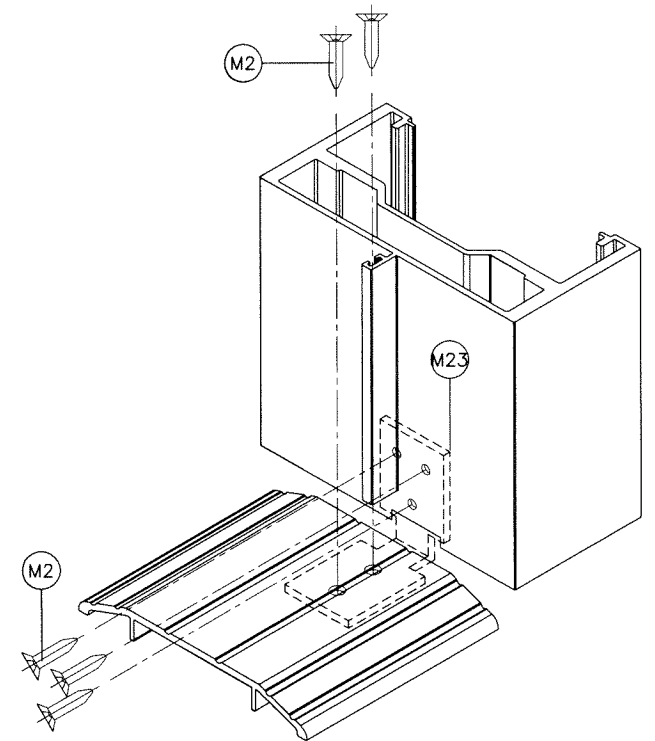
FRAME TOP CORNER



THRESHOLD CORNER



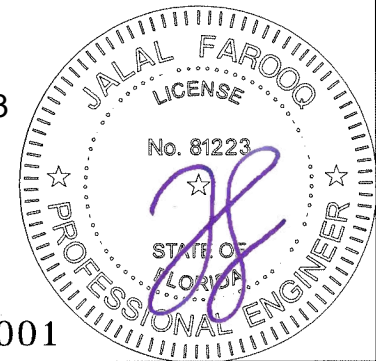
PIVOT THRESHOLD CORNER



THRESHOLD CORNER

Sealed: 8/1/2023

FL #27001



af c

AL-FAROOQ CORPORATION
 ENGINEERS & PRODUCT DEVELOPMENT
 9360 SUNSET DRIVE, SUITE 220
 MIAMI, FLORIDA 33173 (C.A.N. 3538)
 TEL. (305) 264-8100 FAX. (305) 262-6978
 COMP-ANL 18-47F-MG

SERIES-MG500 ALUM OUTSWING FRENCH DOOR (L.M.I.)

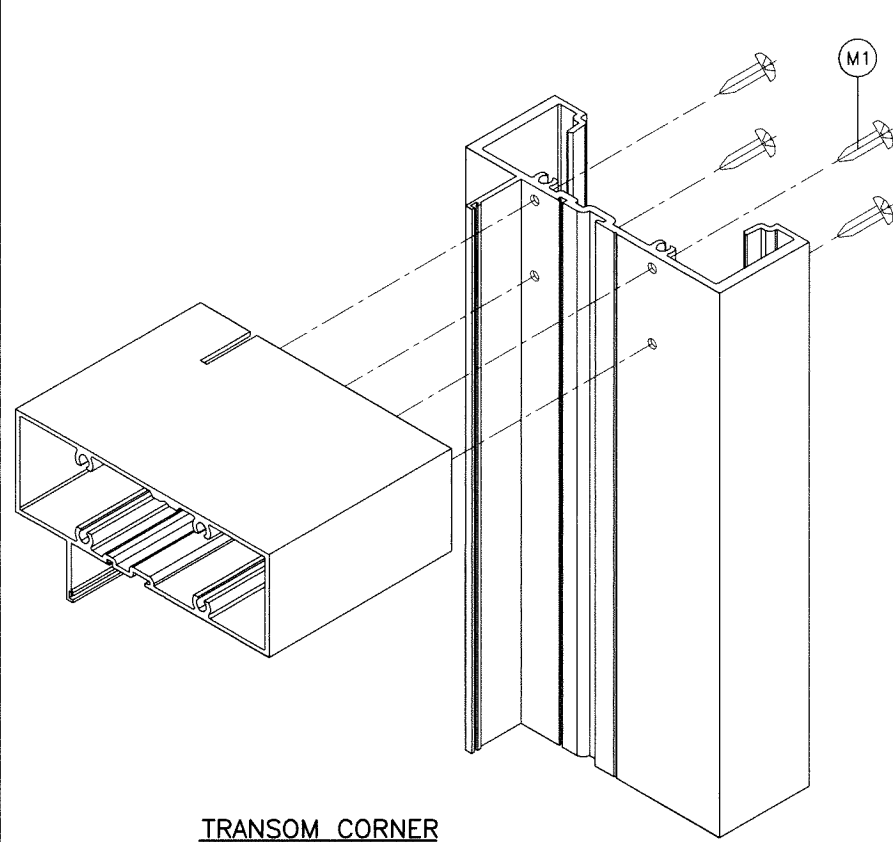
MR-GLASS DOORS & WINDOWS MANUFACTURING, LLC
 8051 N.W. 79th Place
 Medley, FL. 33166
 Tel. (305) 764-3963 Fax. (305) 470-8285

no	date	by	description

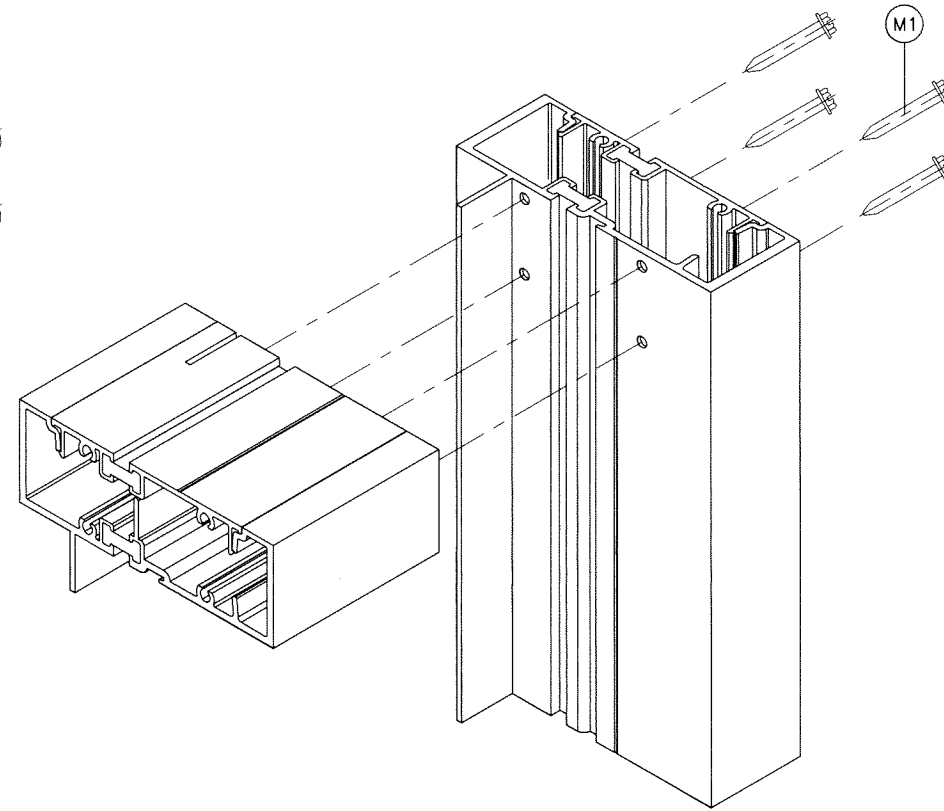
date: 04-20-18
 scale: 3/8" = 1"
 dr. by: TARIQ
 chk. by:

drawing no.
18-47F

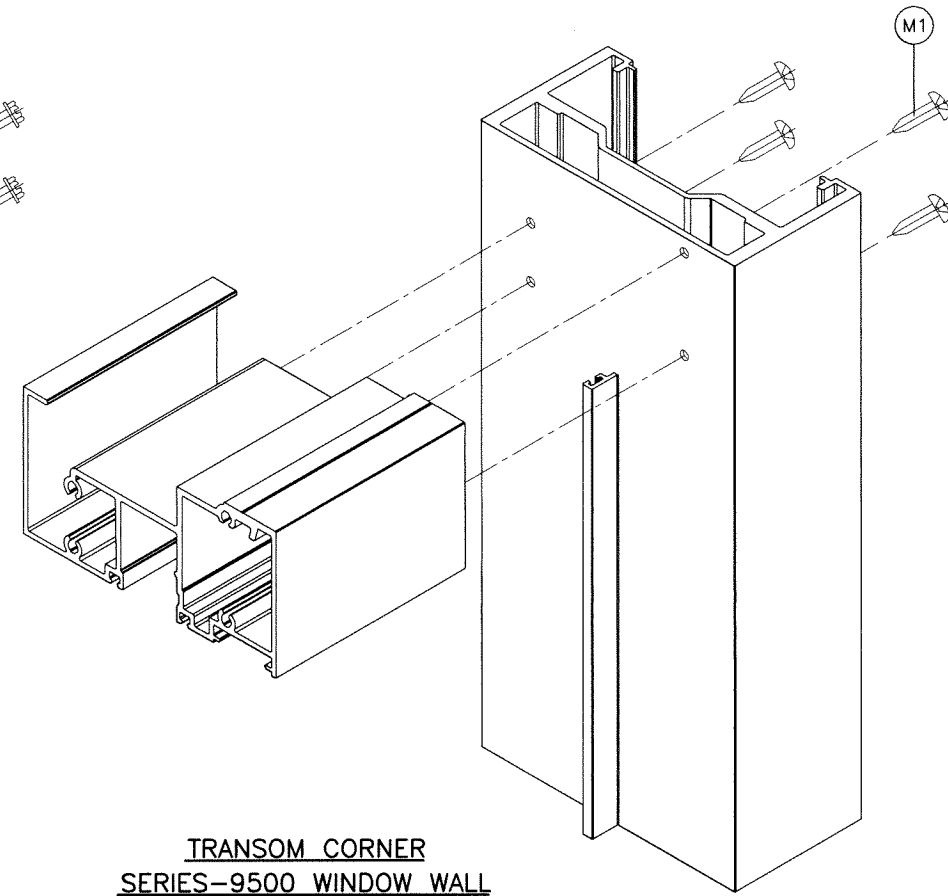
sheet 17 of 18



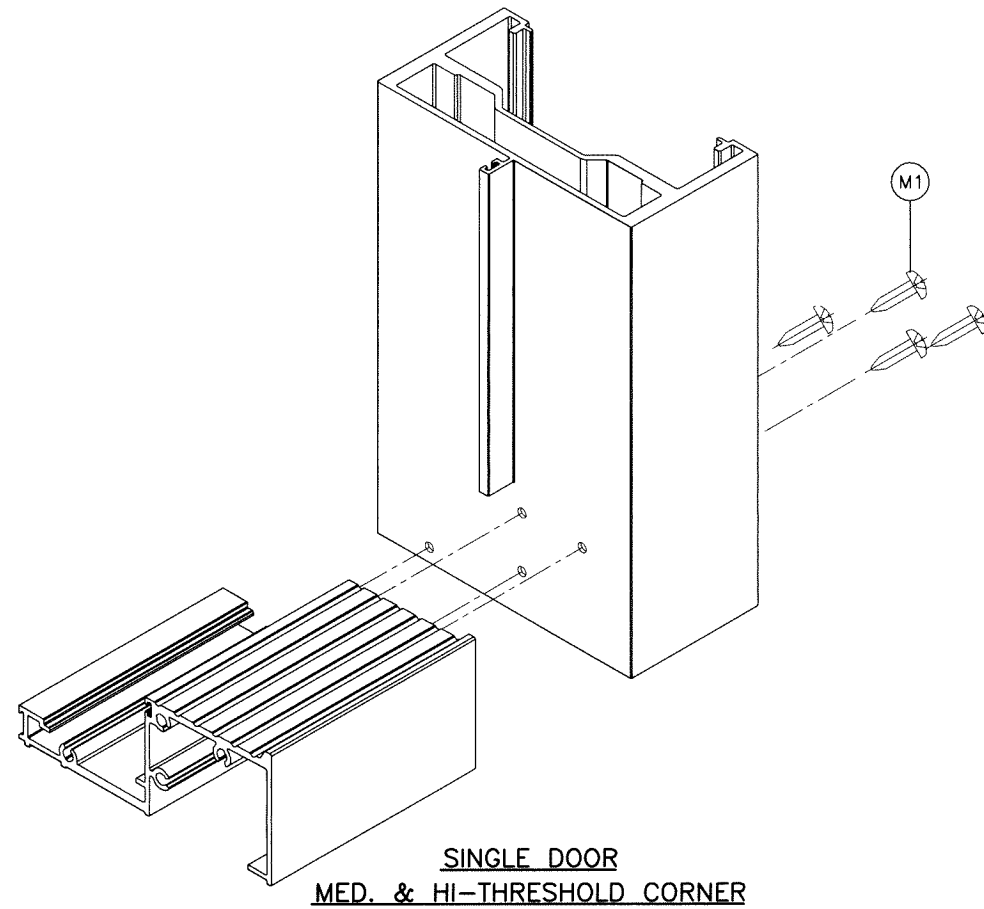
TRANSOM CORNER
SERIES-MG5000 WINDOW WALL



TRANSOM CORNER
SERIES-8000T WINDOW WALL

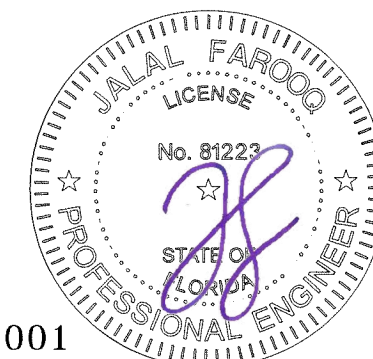


TRANSOM CORNER
SERIES-9500 WINDOW WALL

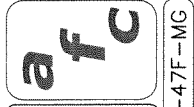


SINGLE DOOR
MED. & HI-THRESHOLD CORNER

Sealed: 8/1/2023



FL #27001



AL-FAROOQ CORPORATION
ENGINEERS & PRODUCT DEVELOPMENT
9360 SUNSET DRIVE, SUITE 220
MIAMI, FLORIDA 33173 (C.A.N. 3538)
TEL. (305) 264-8100 FAX. (305) 262-6978
COMP-ANL\18-47F-MC

SERIES-MG500 ALUM OUTSWING FRENCH DOOR (L.M.I.)

MR-GLASS DOORS & WINDOWS MANUFACTURING, LLC
8051 N.W. 79th Place
Medley, FL. 33166
Tel. (305) 764-3963 Fax. (305) 470-8285

no	date	by	description

date: 04-20-18
scale: 3/8" = 1"
dr. by: TARIQ
chk. by:

drawing no.
18-47F

sheet 18 of 18