



[DBPR HOME](#) | [ABOUT DBPR](#) | [DBPR DIVISIONS](#) | [CONTACT DBPR](#)

[BCIS Home](#) | [Log In](#) | [User Registration](#) | [Hot Topics](#) | [Submit Surcharge](#) | [Stats & Facts](#) | [Publications](#) | [Contact Us](#) | [BCIS Site Map](#) | [Links](#) | [Search](#)



Product Approval
USER: Public User

[Product Approval Menu](#) > [Product or Application Search](#) > [Application List](#) > **Application Detail**

OFFICE OF THE SECRETARY

FL #	FL37319-R2								
Application Type	Revision								
Code Version	2023								
Application Status	Approved								
Comments									
Archived	<input type="checkbox"/>								
Product Manufacturer	Mr-Glass Doors & Windows Manufacturing, LLC								
Address/Phone/Email	8051 NW 79th Place Medley, FL 33166 (305) 470-8284 ulises@mrglasswindows.com								
Authorized Signature	Ulises Senaris ulises@mrglasswindows.com								
Technical Representative	Augusto Arias								
Address/Phone/Email	8120 NW 84th St Medley, FL 33166 (305) 470-8284 aarias@mrglasswindows.com								
Quality Assurance Representative									
Address/Phone/Email									
Category	Windows								
Subcategory	Fixed								
Compliance Method	Evaluation Report from a Florida Registered Architect or a Licensed Florida Professional Engineer <input type="checkbox"/> Evaluation Report - Hardcopy Received								
Florida Engineer or Architect Name who developed the Evaluation Report	Jalal Farooq								
Florida License	PE-81223								
Quality Assurance Entity	Keystone Certifications, Inc.								
Quality Assurance Contract Expiration Date	08/27/2025								
Validated By	Abel Carrasco, PE <input checked="" type="checkbox"/> Validation Checklist - Hardcopy Received								
Certificate of Independence	FL37319_R2_COI_SS - Certificate of Independence.pdf								
Referenced Standard and Year (of Standard)	<table border="0"> <thead> <tr> <th>Standard</th> <th>Year</th> </tr> </thead> <tbody> <tr> <td>TAS 201</td> <td>1994</td> </tr> <tr> <td>TAS 202</td> <td>1994</td> </tr> <tr> <td>TAS 203</td> <td>1994</td> </tr> </tbody> </table>	Standard	Year	TAS 201	1994	TAS 202	1994	TAS 203	1994
Standard	Year								
TAS 201	1994								
TAS 202	1994								
TAS 203	1994								
Equivalence of Product Standards Certified By									
Sections from the Code									
Product Approval Method	Method 1 Option D								

Date Submitted 07/21/2023
 Date Validated 07/22/2023
 Date Pending FBC Approval 07/25/2023
 Date Approved 10/18/2023

Summary of Products

FL #	Model, Number or Name	Description
37319.1	MRG-400 Aluminum Fixed Window	Large missile impact resistant aluminum fixed window.
Limits of Use Approved for use in HVHZ: Yes Approved for use outside HVHZ: Yes Impact Resistant: Yes Design Pressure: +100/-100 Other: See drawings 21-02F for span vs load combination and installation details.		Installation Instructions FL37319_R2_II_SS - MG-400 Fixed WDW (LMI) DWG 21-02F 2023.pdf Verified By: Jalal Farooq PE #81223 Created by Independent Third Party: Yes Evaluation Reports FL37319_R2_AE_SS - MG400 FIXED (LMI) - PAE 2023.pdf Created by Independent Third Party: Yes

[Back](#) [Next](#)

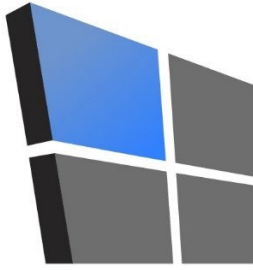
Contact Us :: [2601 Blair Stone Road, Tallahassee FL 32399](#) Phone: 850-487-1824

The State of Florida is an AA/EEO employer. [Copyright 2007-2013 State of Florida.](#) :: [Privacy Statement](#) :: [Accessibility Statement](#) :: [Refund Statement](#)

Under Florida law, email addresses are public records. If you do not want your e-mail address released in response to a public-records request, do not send electronic mail to this entity. Instead, contact the office by phone or by traditional mail. If you have any questions, please contact 850.487.1395. *Pursuant to Section 455.275(1), Florida Statutes, effective October 1, 2012, licensees licensed under Chapter 455, F.S. must provide the Department with an email address if they have one. The emails provided may be used for official communication with the licensee. However email addresses are public record. If you do not wish to supply a personal address, please provide the Department with an email address which can be made available to the public. To determine if you are a licensee under Chapter 455, F.S., please click [here](#).

Product Approval Accepts:





AL-FAROOQ CORPORATION

CONSULTING ENGINEERS & PRODUCT DEVELOPMENT

August 11, 2020

Product Approval Administrator
Building Codes & Standards Section
Department of Business & Professional Regulations
1940 North Monroe Street, Suite 90
Tallahassee, FL 32399-2100

To whom it may concern,

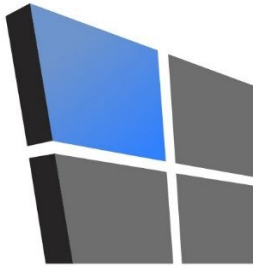
As the design engineer retained to prepare the product approval(s) associated with this letter as shown below on this same web page, I do hereby declare that I do not have and will not have any financial interest in any company manufacturing or distributing the referenced product(s), nor do I have or will have any financial interest with any other entity involved in the approval process of the referenced product(s).

Sincerely,



Sealed 8-11-2020

Jalal Farooq, P.E.
CFO



AL-FAROOQ CORPORATION

CONSULTING ENGINEERS & PRODUCT DEVELOPMENT

PRODUCT APPROVAL EVALUATION RULE CHAPTER #61G20-3 • METHOD 1 OPTION D

FL 37319

Date: 07/20/2023

Detailed Product Description:

Manufacturer: MR-GLASS DOORS & WINDOWS MANUFACTURING LLC.

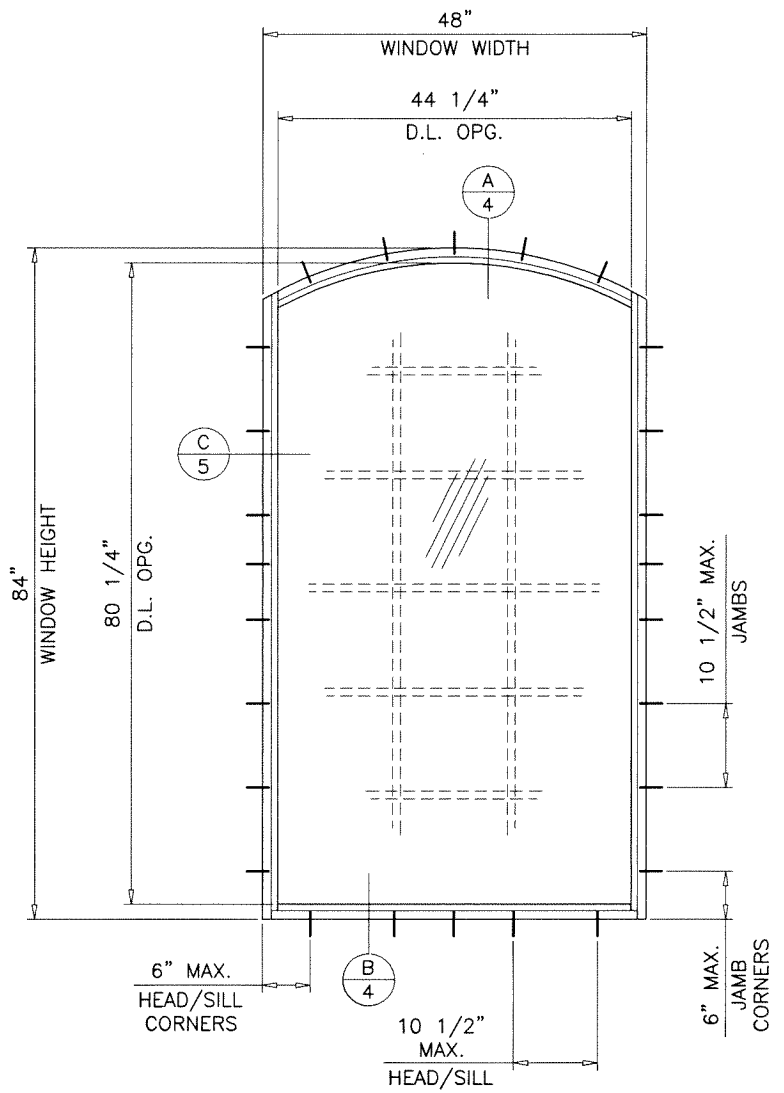
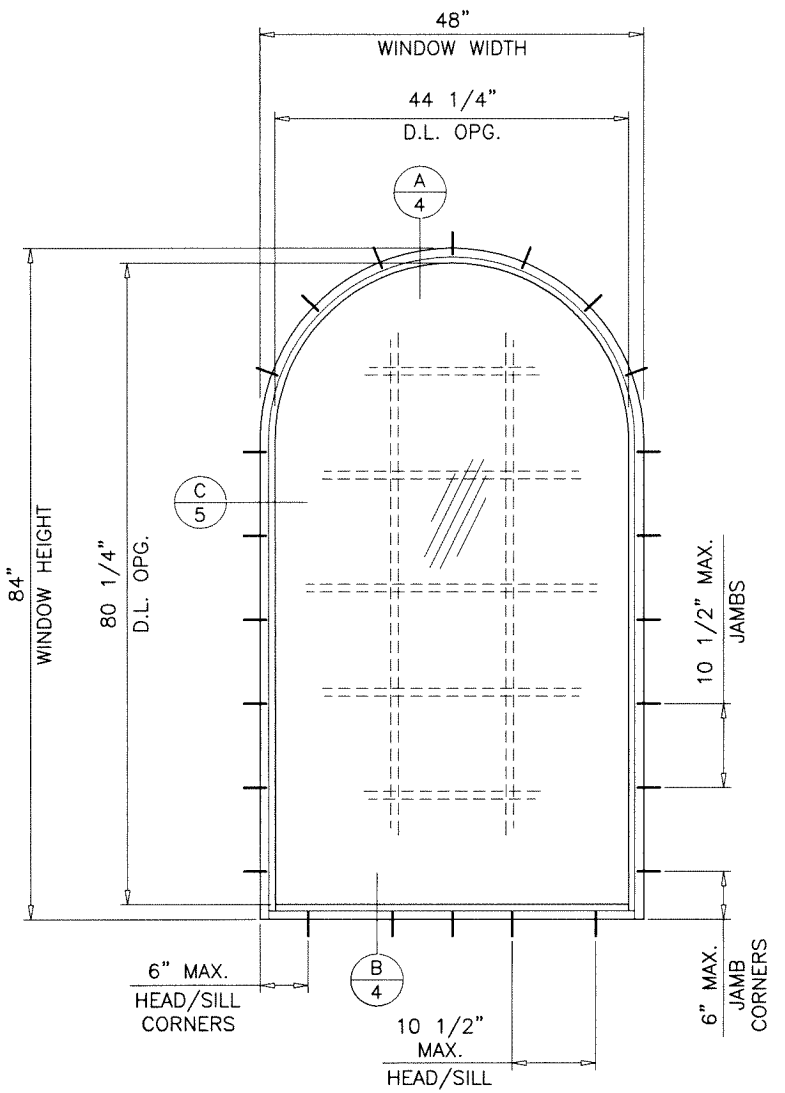
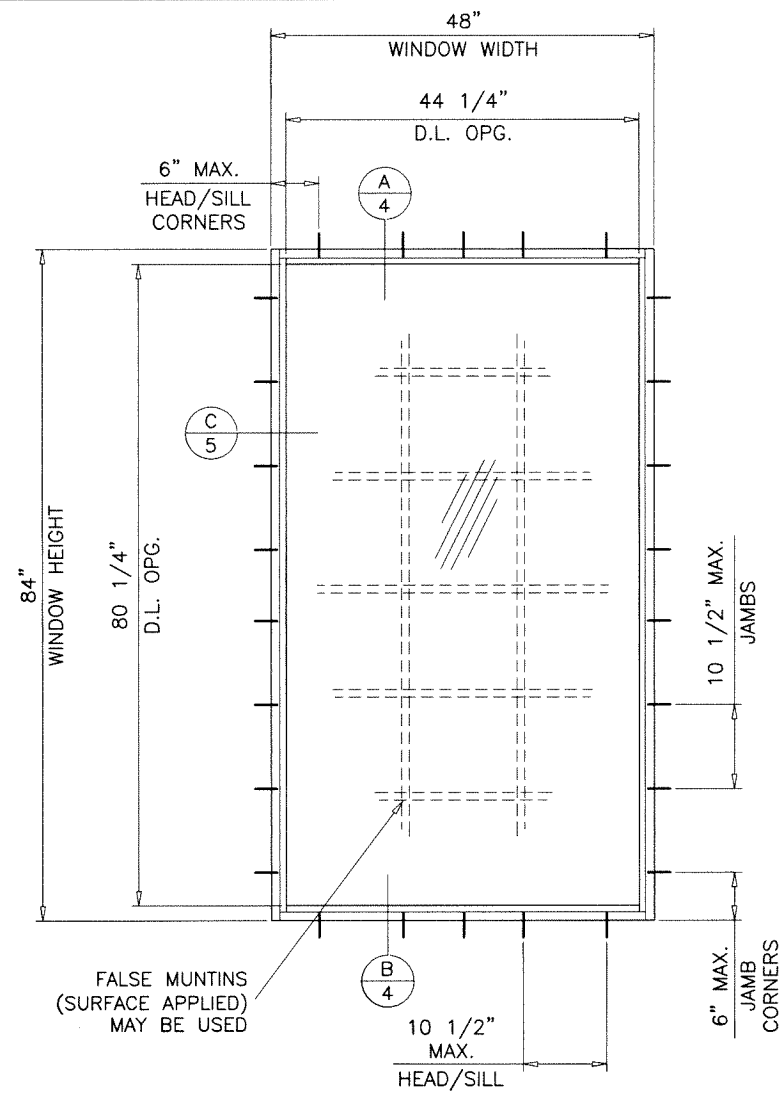
Manufacturer Address: 8051 NW 79th PLACE, MEDLEY, FL 33166

Model Name: SERIES MRG-400 ALUMINUM FIXED WINDOW

Maximum Load: +100 PSF, -100 PSF (Large Missile Impact)

Installation Drawings # 21-02F

This product complies with the High Velocity Hurricane Zone (HVHZ) testing requirements.					
For maximum sizes, combination of span vs loads and anchor type refer to installation drawings.					
Comparative analysis used <u>X</u> Yes <u> </u> No					
Mandatory Tests (Tested in accordance with AAMA 101/I.S.2/NAFS/TAS-202)					
TEST	DESCRIPTION	TEST LOCATION	TEST REPORT DATE	TEST REPORT #	Test Sealed by
ASTM E283	Air Infiltration Leakage	Fenestration Testing Laboratory, Inc.	01/24/2017	FTL-9147	Idalmis Ortega, PE
ASTM E331 OR ASTM 547 & TAS 202	Water Penetration	Fenestration Testing Laboratory, Inc.	01/24/2017	FTL-9147	Idalmis Ortega, PE
ASTM E330 & TAS 202	Uniform Static Air Press.	Fenestration Testing Laboratory, Inc.	01/24/2017	FTL-9147	Idalmis Ortega, PE
Supplemental Tests (Tested in accordance with TAS-201 and TAS-203)					
TEST	DESCRIPTION	TEST LOCATION	TEST REPORT DATE	TEST REPORT #	Test Sealed by
FBC 1626.2 TAS 201 & 203 ASTM E1886/1996 ANSI Z97.1	Large Missile Impact & Cyclic	Fenestration Testing Laboratory, Inc. Hurricane Engineering & Testing, Inc	01/24/2017 02/08/2022	FTL-9147 HETI-21-7149 HETI-21-7153 HETI-21-7155	Idalmis Ortega, PE Dr. Ram N. Tewari, PE
Under the limitations of the attached installation drawings, to the best of my knowledge and ability, the above product conforms to the requirements of the 2023 Florida Building Code.					
Evaluation Report Engineer:					
Jalal Farooq Al-Farooq Corporation					
PE # 81223 EB # 3538		Sealed: 7/21/2023			



TYPICAL ELEVATIONS
(TESTED UNITS)

SERIES MRG-400
ALUMINUM FIXED WINDOW

DESIGN LOAD RATINGS FOR THESE WINDOWS TO BE AS PER CHARTS SHOWN ON SHEET 2.
APPROVAL APPLIES TO SINGLE UNITS OR SIDE BY SIDE COMBINATIONS OF FIX./FIX. OR FIXED WITH OTHER WINDOW TYPES IN MODULES OF TWO OR MORE WINDOWS USING F.B.C. APPROVED MULLIONS IN BETWEEN.
LOWER DESIGN PRESSURE FROM WINDOWS OR MULLION APPROVAL WILL APPLY TO ENTIRE SYSTEM.

THIS PRODUCT HAS BEEN DESIGNED AND TESTED TO COMPLY WITH THE REQUIREMENTS OF THE 2020 (7TH EDITION)/2023 (8TH EDITION) FLORIDA BUILDING CODE INCLUDING HIGH VELOCITY HURRICANE ZONE (HVHZ).
1BY OR 2BY WOOD BUCKS & BUCK FASTENERS BY OTHERS, MUST BE DESIGNED AND INSTALLED ADEQUATELY TO TRANSFER APPLIED PRODUCT LOADS TO THE BUILDING STRUCTURE.
ANCHORS SHALL BE CORROSION RESISTANT, SPACED AS SHOWN ON DETAILS AND INSTALLED PER MANUF'S INSTRUCTIONS. SPECIFIED EMBEDMENT TO BASE MATERIAL SHALL BE BEYOND WALL DRESSING OR STUCCO.
A LOAD DURATION INCREASE IS USED IN DESIGN OF ANCHORS INTO WOOD ONLY.
ALL SHIMS TO BE HIGH IMPACT, NON-METALLIC AND NON-COMPRESSIBLE.
MATERIALS INCLUDING BUT NOT LIMITED TO STEEL/METAL SCREWS, THAT COME INTO CONTACT WITH OTHER DISSIMILAR MATERIALS SHALL MEET THE REQUIREMENTS OF THE 2020/2023 FLORIDA BLDG. CODE & ADOPTED STANDARDS.
THIS PRODUCT APPROVAL IS GENERIC AND DOES NOT PROVIDE INFORMATION FOR A SITE SPECIFIC PROJECT, I.E. LIFE SAFETY OF THIS PRODUCT, ADEQUACY OF STRUCTURE RECEIVING THIS PRODUCT AND SEALING AROUND OPENING FOR WATER INFILTRATION RESISTANCE ETC.
CONDITIONS NOT SHOWN IN THIS DRAWING ARE TO BE ANALYZED SEPARATELY, AND TO BE REVIEWED BY BUILDING OFFICIAL.
DESIGN LOADS SHOWN ARE BASED ON 'ALLOWABLE STRESS DESIGN (ASD)'.
MANUFACTURER'S LABEL SHALL BE LOCATED ON A READILY VISIBLE LOCATION IN ACCORDANCE WITH SECTION 1709.9.3 OF FLORIDA BUILDING CODE.
LABELING TO COMPLY WITH SECTION 1709.9.2.

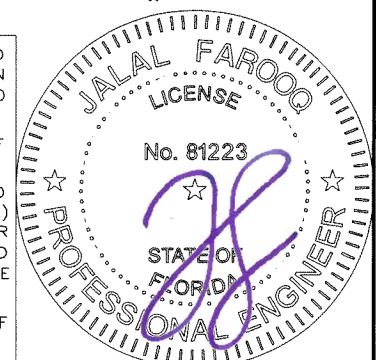
WINDOWS WITH GLASS TYPE 'B' COMPLY WITH REQUIREMENTS OF ANSI Z97.1.


THESE WINDOWS ARE RATED FOR LARGE & SMALL MISSILE IMPACT. SHUTTERS ARE NOT REQUIRED.

Sealed: 7/21/2023

FL #37319

- A- CONTRACTOR TO BE RESPONSIBLE FOR THE SELECTION, PURCHASE AND INSTALLATION OF THIS PRODUCT BASED ON THIS PRODUCT EVALUATION PROVIDED HE/SHE DOES NOT DEVIATE FROM THE CONDITIONS DETAILED ON THIS DOCUMENT.
- B- THIS PRODUCT EVALUATION DOCUMENT WILL BE CONSIDERED INVALID IF ALTERED BY ANY MEANS.
- C- SITE SPECIFIC PROJECTS SHALL BE PREPARED BY A FLORIDA REGISTERED ENGINEER OR ARCHITECT WHO WILL BECOME THE ENGINEER OF RECORD (E.O.R.) FOR THE PROJECT AND WHO WILL BE RESPONSIBLE FOR THE PROPER USE OF THE P.E.D. ENGINEER OF RECORD, ACTING AS A DELEGATED ENGINEER TO THE P.E.D. ENGINEER SHALL SUBMIT TO THIS LATTER THE SITE SPECIFIC DRAWINGS FOR REVIEW.
- D- THIS P.E.D. SHALL BEAR THE DATE AND ORIGINAL SEAL AND SIGNATURE OF THE PROFESSIONAL ENGINEER OF RECORD THAT PREPARED IT.





AL-FAROOQ CORPORATION
ENGINEERS & PRODUCT DEVELOPMENT
9360 SUNSET DRIVE, SUITE 220
MIAMI, FLORIDA 33173
TEL. (305) 264-8100 FAX. (305) 262-6978
COMP-ANL\21-02F-MG

MRG-400 ALUMINUM FIXED WDW. (L.M.I.)
MR-GLASS DOORS & WINDOWS MANUFACTURING, LLC
8051 N.W. 79th Place
Medley, FL. 33166
Tel. (305) 764-3963 Fax. (305) 470-8285

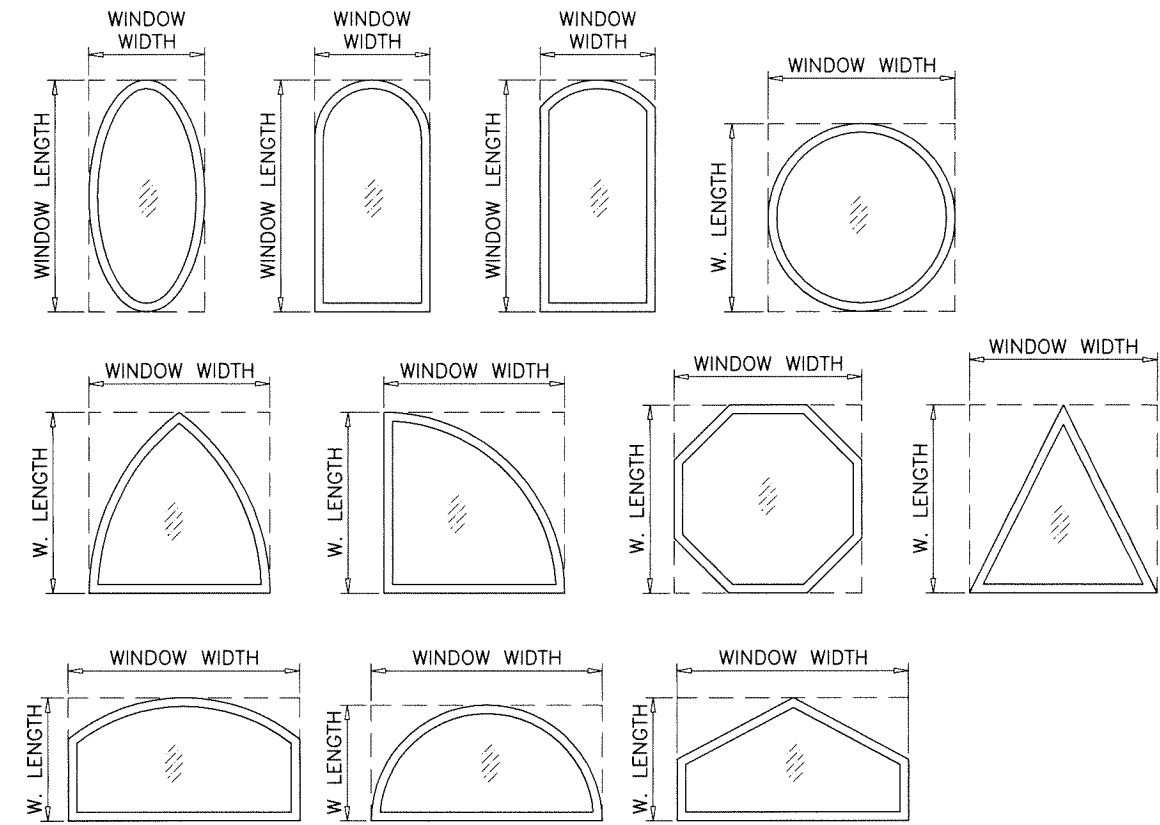
no	date	by	description
A	07.18.23		UPDATED TO 2023 FBC

date: 01-08-21
scale: 1/2" = 1'-0"
dr. by: TARIQ
chk. by:

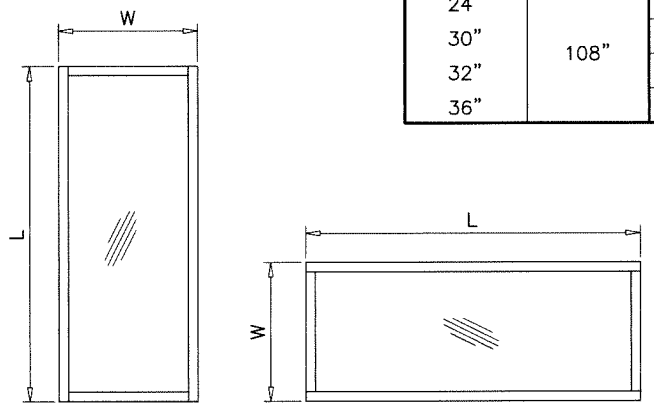
drawing no. **21-02F**
sheet 1 of 7

DESIGN LOAD CAPACITY - PSF					
FRAME DIMS.		GLASS TYPES 'A' & 'Ai'		GLASS TYPES 'B' & 'Bi'	
WIDTH	HEIGHT	EXT.(+)	1NT.(-)	EXT.(+)	1NT.(-)
19-1/8"	26"	65.0	65.0	100.0	100.0
26-1/2"		65.0	65.0	100.0	100.0
37"		65.0	65.0	100.0	100.0
53-1/8"		65.0	65.0	100.0	100.0
19-1/8"	38-3/8"	65.0	65.0	100.0	100.0
26-1/2"		65.0	65.0	100.0	100.0
37"		65.0	65.0	100.0	100.0
53-1/8"		65.0	65.0	100.0	100.0
19-1/8"	50-5/8"	65.0	65.0	100.0	100.0
26-1/2"		65.0	65.0	100.0	100.0
37"		65.0	65.0	100.0	100.0
53-1/8"		65.0	65.0	94.8	94.8
19-1/8"	56"	65.0	65.0	100.0	100.0
26-1/2"		65.0	65.0	100.0	100.0
37"		65.0	65.0	100.0	100.0
53-1/8"		65.0	65.0	90.4	90.4
19-1/8"	63"	65.0	65.0	100.0	100.0
26-1/2"		65.0	65.0	100.0	100.0
37"		65.0	65.0	100.0	100.0
53-1/8"		65.0	65.0	90.4	90.4
19-1/8"	72"	65.0	65.0	100.0	100.0
26-1/2"		65.0	65.0	100.0	100.0
37"		65.0	65.0	100.0	100.0
53-1/8"		65.0	65.0	90.4	90.4
19-1/8"	76"	65.0	65.0	100.0	100.0
26-1/2"		65.0	65.0	100.0	100.0
37"		65.0	65.0	100.0	100.0

DESIGN LOAD CAPACITY - PSF						
FRAME DIMS.		GLASS TYPES 'A' & 'Ai'		GLASS TYPES 'B' & 'Bi'		
WIDTH	HEIGHT	EXT.(+)	1NT.(-)	EXT.(+)	1NT.(-)	
24"	48"	65.0	65.0	100.0	100.0	
30"		65.0	65.0	100.0	100.0	
32"		65.0	65.0	100.0	100.0	
36"		65.0	65.0	100.0	100.0	
42"		65.0	65.0	100.0	100.0	
48"		65.0	65.0	100.0	100.0	
54"		65.0	65.0	100.0	100.0	
24"		60"	65.0	65.0	100.0	100.0
30"	65.0		65.0	100.0	100.0	
32"	65.0		65.0	100.0	100.0	
36"	65.0		65.0	100.0	100.0	
42"	65.0		65.0	100.0	100.0	
48"	65.0		65.0	100.0	100.0	
54"	65.0		65.0	88.9	88.9	
24"	72"		65.0	65.0	100.0	100.0
30"		65.0	65.0	100.0	100.0	
32"		65.0	65.0	100.0	100.0	
36"		65.0	65.0	100.0	100.0	
42"		65.0	65.0	100.0	100.0	
48"		65.0	65.0	100.0	100.0	
54"		65.0	65.0	88.9	88.9	
24"		84"	65.0	65.0	100.0	100.0
30"	65.0		65.0	100.0	100.0	
32"	65.0		65.0	100.0	100.0	
36"	65.0		65.0	100.0	100.0	
42"	65.0		65.0	100.0	100.0	
48"	65.0		65.0	100.0	100.0	
54"	65.0		65.0	88.9	88.9	
24"	96"		65.0	65.0	100.0	100.0
30"		65.0	65.0	100.0	100.0	
32"		65.0	65.0	100.0	100.0	
36"		65.0	65.0	100.0	100.0	
42"		65.0	65.0	100.0	100.0	
24"		108"	65.0	65.0	100.0	100.0
30"			65.0	65.0	100.0	100.0
32"			65.0	65.0	100.0	100.0
36"	65.0		65.0	100.0	100.0	



ALLOWABLE LOADS FOR ALTERNATE SHAPES AS SHOWN ABOVE OR SIMILAR CAN BE VERIFIED BY INSCRIBING PICTURE WINDOW SHAPE WITHIN SQUARE OR RECTANGLE AS SHOWN IN DOTTED LINES AND OBTAINING ALLOWABLE LOADS FROM THOSE SHAPES.

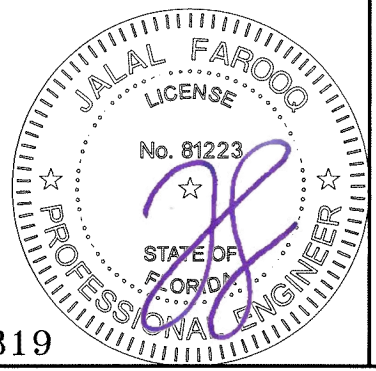


NOTE:
WIDTH AND LENGTH DIMENSIONS CAN BE ORIENTED VERTICALLY OR HORIZONTALLY AS SHOWN ABOVE.

NOTE:
GLASS CAPACITIES ON THIS SHEET ARE BASED ON ASTM E1300-09 (3 SEC. GUSTS).

Sealed: 7/21/2023

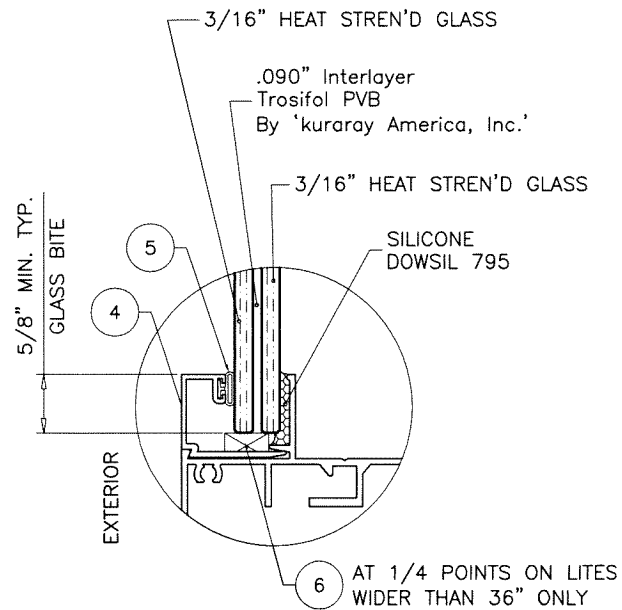
FL #37319



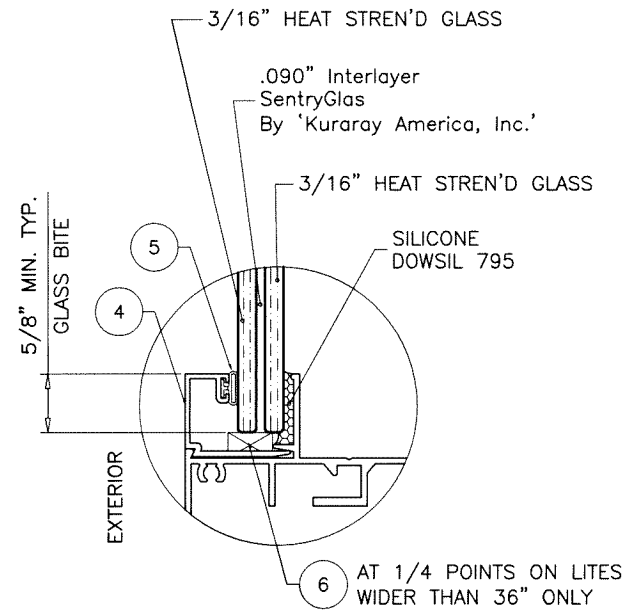
af c
AL-FAROOQ CORPORATION
 ENGINEERS & PRODUCT DEVELOPMENT
 9360 SUNSET DRIVE, SUITE 220 (C.A.N. 3538)
 MIAMI, FLORIDA 33173
 TEL. (305) 264-8100 FAX. (305) 262-6978
 COMP-ANL 21-02F-MC

MRG-400 ALUMINUM FIXED WDW. (L.M.I.)
MR-GLASS DOORS & WINDOWS MANUFACTURING, LLC
 8051 N.W. 79th Place
 Medley, FL. 33166
 Tel. (305) 764-3963 Fax. (305) 470-8285

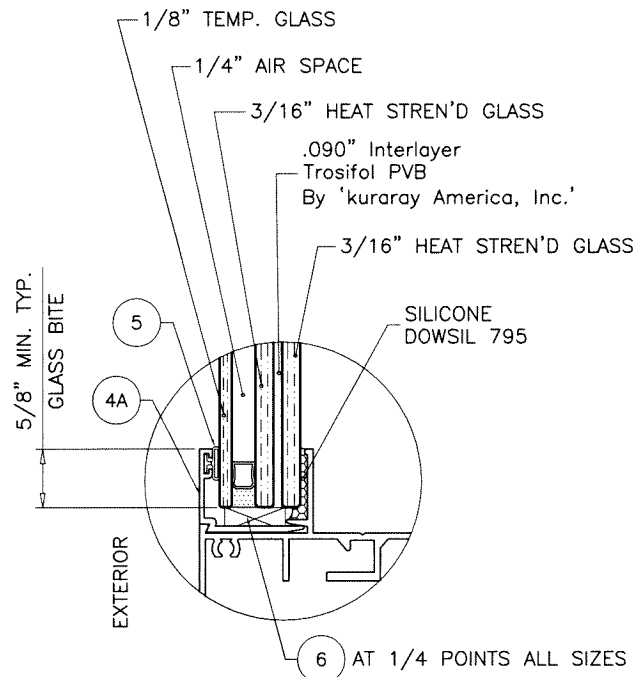
revisions:	no.	date	by	description
date:	01-08-21			
scale:	-			
dr. by:	TARIQ			
chk. by:				
drawing no.	21-02F			
sheet	2 of 7			



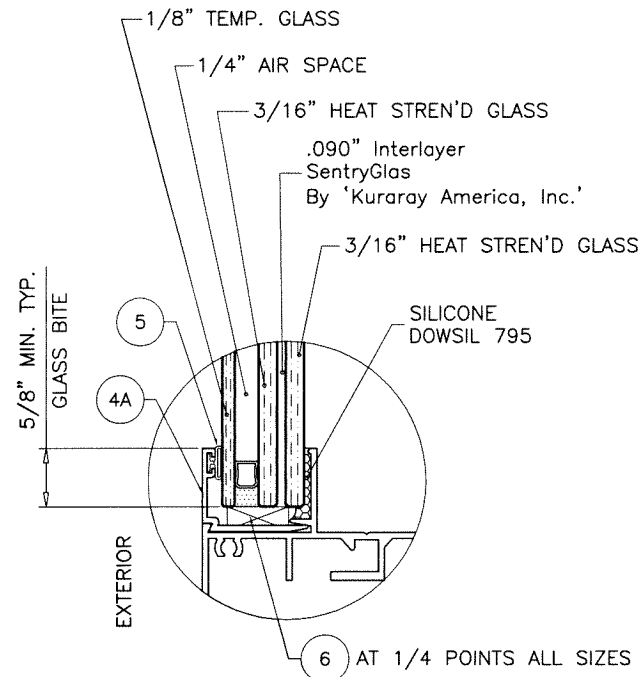
GLASS TYPE 'A'
 7/16" OVERALL LAM. GLASS



GLASS TYPE 'B'
 7/16" OVERALL LAM. GLASS

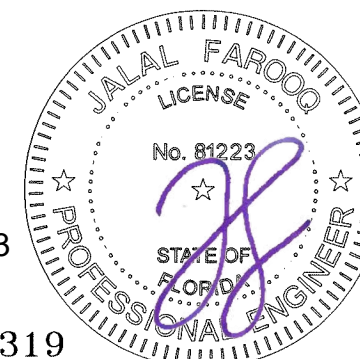


GLASS TYPE 'Ai'
 13/16" OVERALL INSUL. LAM. GLASS



GLASS TYPE 'Bi'
 13/16" OVERALL INSUL. LAM. GLASS

1/4" AIR SPACE CONSISTING OF:
SPACER:
 'HELIMA' LOW PROFILE ALUMINUM SPACER
 BY 'LINGERMANN GMBH'
 AROUND THE PERIMETER OF THE GLASS.
PERIMETER SEALANT:
 SILICONE
 DOWSIL 791
 GE 2000
 OR
 'DURASEAL' EDGE SEAL SYSTEM
 BY 'QUANEX'



Sealed: 7/21/2023

FL #37319

a f c

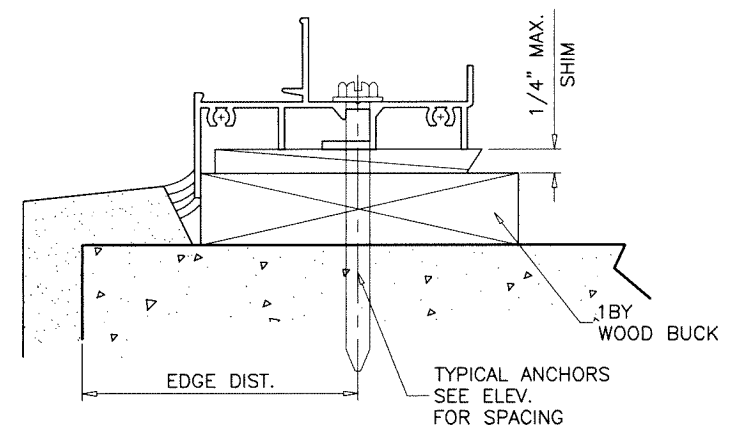
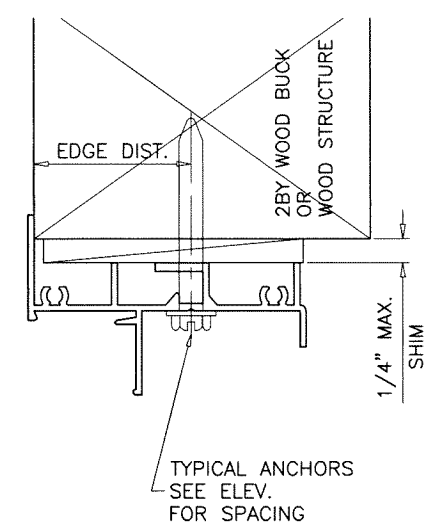
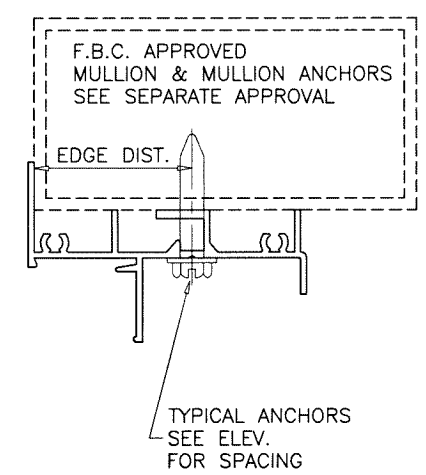
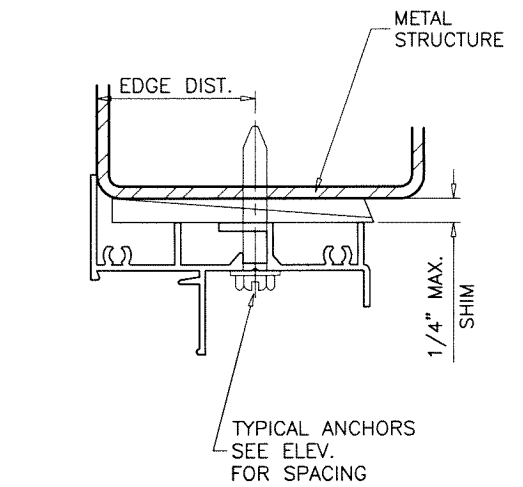
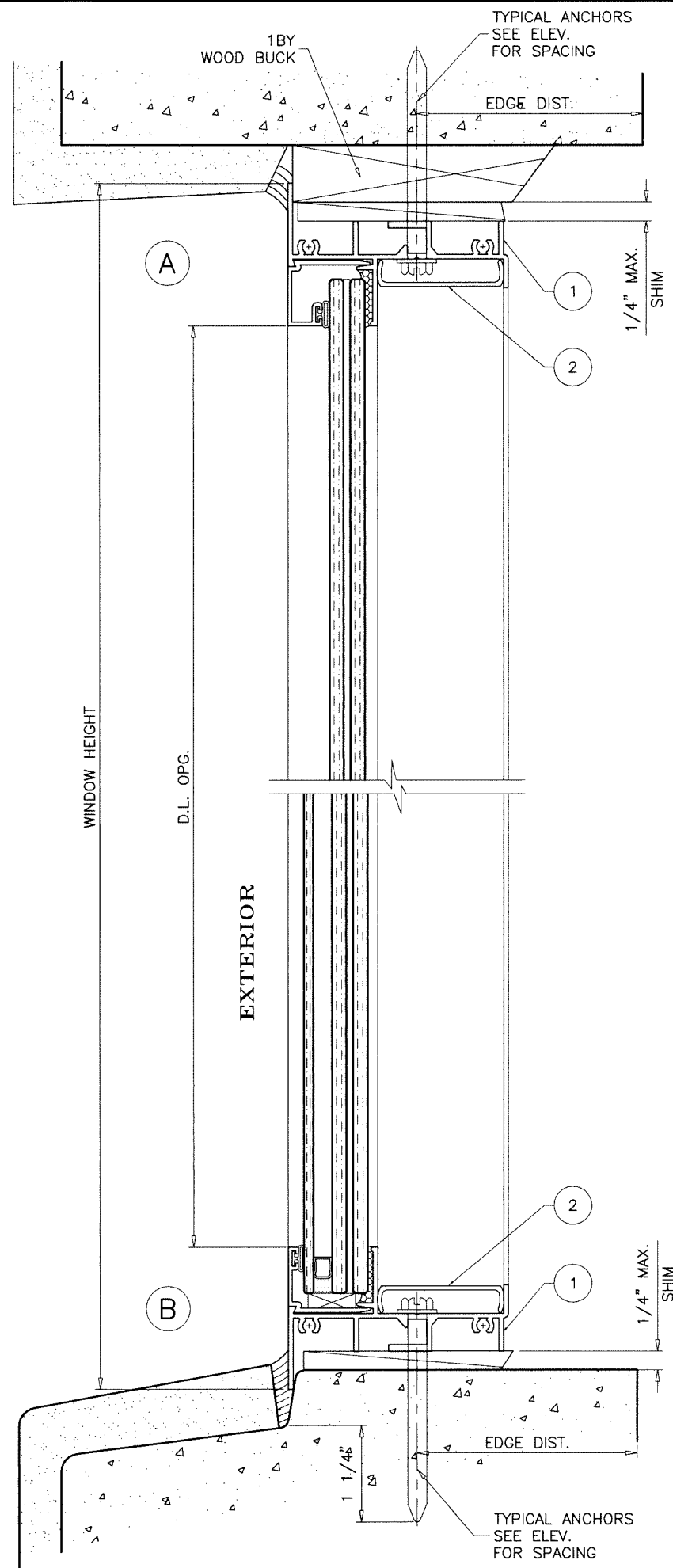
AL-FAROOQ CORPORATION
 ENGINEERS & PRODUCT DEVELOPMENT
 9360 SUNSET DRIVE, SUITE 220
 MIAMI, FLORIDA 33173 (C.A.N. 3538)
 TEL. (305) 264-8100 FAX. (305) 262-6978
 COMP-ANL\21-02F-MG

MRG-400 ALUMINUM FIXED WDW. (L.M.I.)
 MR-GLASS DOORS & WINDOWS MANUFACTURING, LLC
 8051 N.W. 79th Place
 Medley, FL. 33166
 Tel. (305) 764-3963 Fax. (305) 470-8285

revisions:	no.	date	description

date: 01-08-21
 scale: 1/2" = 1"
 dr. by: TARIQ
 chk. by:

drawing no.
21-02F
 sheet 3 of 7



WOOD BUCKS AND METAL STRUCTURE NOT BY 'MR. GLASS' MUST SUSTAIN LOADS IMPOSED BY GLAZING SYSTEM AND TRANSFER THEM TO THE BUILDING STRUCTURE.

TYPICAL ANCHORS: SEE ELEV. FOR SPACING
1/4" DIA. ULTRACON+ BY 'DEWALT' (Fu=164 KSI, Fy=148 KSI)
 INTO 2BY WOOD BUCKS OR WOOD STRUCTURES
 1-1/2" MIN. PENETRATION INTO WOOD (HEAD/SILL/JAMBS)
 THRU 1BY BUCKS INTO CONC. OR BLOCKS
 1-1/4" MIN. EMBED INTO CONCRETE (HEAD/SILL/JAMBS)
 1-1/4" MIN. EMBED INTO BLOCKS (JAMBS)
 DIRECTLY INTO CONCRETE OR BLOCKS
 1-1/4" MIN. EMBED INTO CONCRETE (HEAD/SILL/JAMBS)
 1-1/4" MIN. EMBED INTO BLOCKS (JAMBS)
#14 SMS OR SELF DRILLING SCREWS (GRADE 2 CRS)
 INTO F.B.C. APPROVED MULLIONS
 OR
 INTO METAL STRUCTURES (HEAD/SILL/JAMBS)
 (3) THREADS MIN. TO EXTEND BEYOND METAL THICKNESS
 ALUMINUM: 1/8" THK. MIN. (6063-T5 MIN.)
 STEEL: 1/8" THK. MIN. (Fy = 36 KSI MIN.)
 (STEEL IN CONTACT WITH ALUMINUM TO BE PLATED OR PAINTED)

TYPICAL EDGE DISTANCE
 INTO CONCRETE AND BLOCKS = 1-1/2" MIN.
 INTO WOOD STRUCTURE = 1" MIN.
 INTO METAL STRUCTURE = 3/4" MIN.
 WOOD AT HEAD, SILL OR JAMBS SG = 0.55 MIN.
 CONCRETE AT HEAD, SILL OR JAMBS f'c = 3000 PSI MIN.
 C-90 HOLLOW/FILLED BLOCK AT JAMBS f'm = 2000 PSI MIN.

Sealed: 7/21/2023

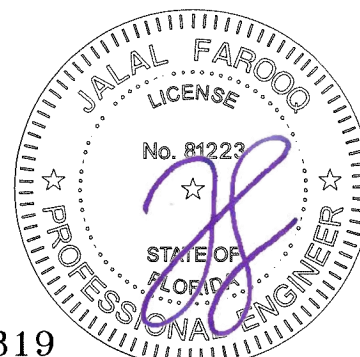
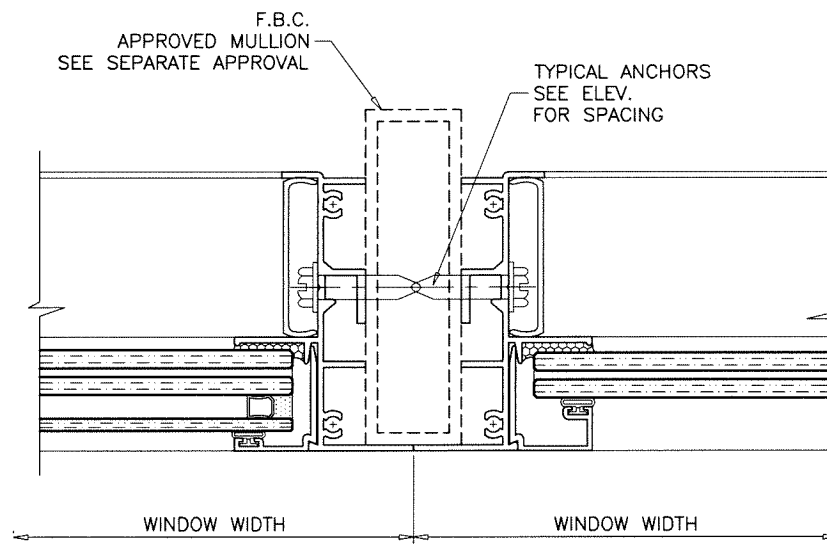
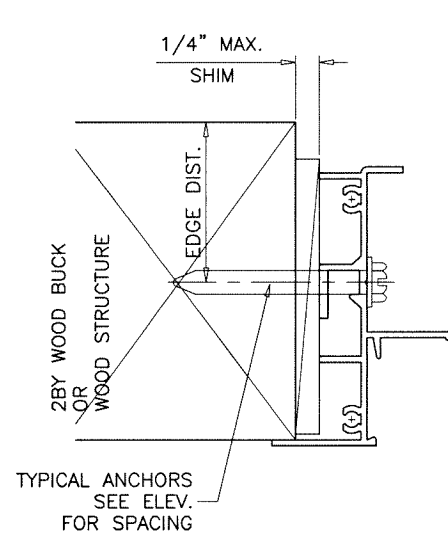
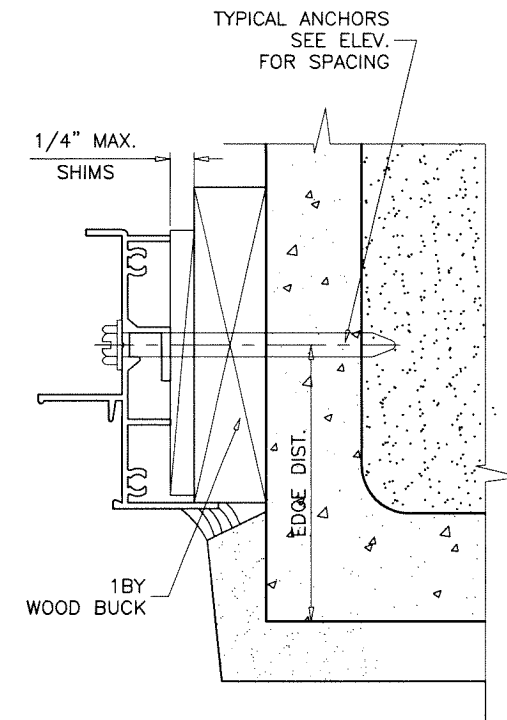
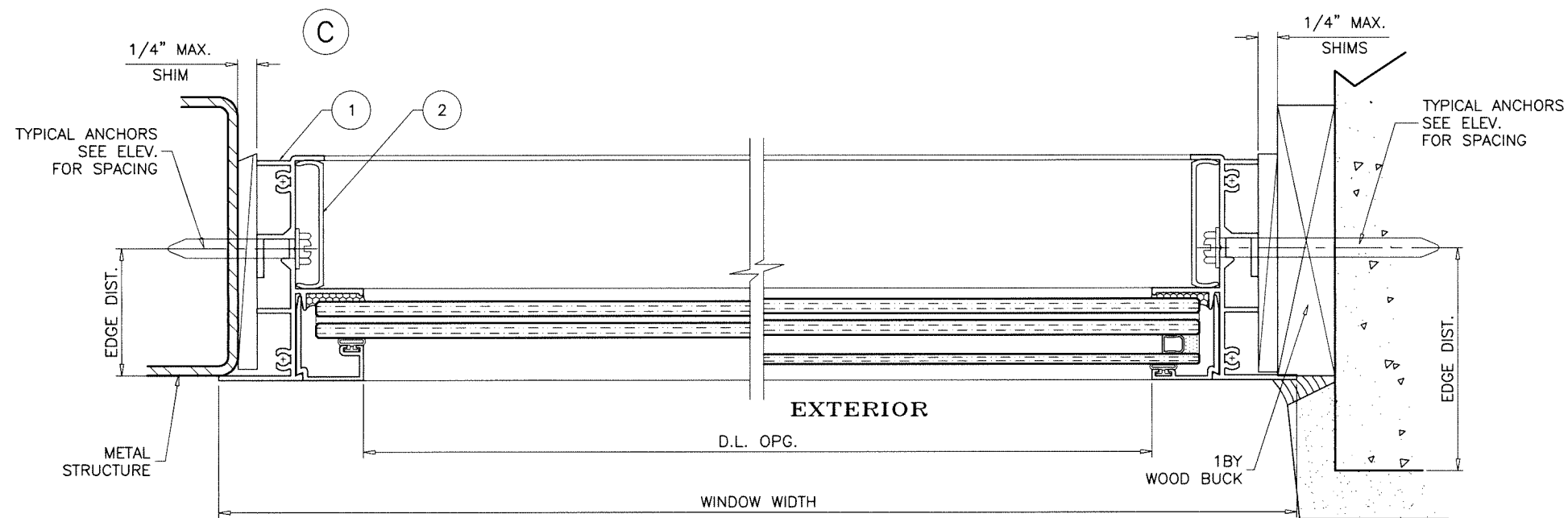
FL #37319



af c
AL-FAROOQ CORPORATION
 ENGINEERS & PRODUCT DEVELOPMENT
 9360 SUNSET DRIVE, SUITE 220
 MIAMI, FLORIDA 33173 (C.A.N. 3538)
 TEL. (305) 264-8100 FAX. (305) 262-6978
 COMP-ANL\21-02F-MG

MRG-400 ALUMINUM FIXED WDW. (L.M.I.)
MR-GLASS DOORS & WINDOWS MANUFACTURING, LLC
 8051 N.W. 79th Place
 Medley, FL 33166
 Tel. (305) 764-3963 Fax. (305) 470-8285

revisions:	no	date	by	description
date:	01-08-21	scale:	1/2" = 1"	
dr. by:	TARIQ	chk. by:		
drawing no.	21-02F			
sheet	4 of 7			



Sealed: 7/21/2023

FL #37319

afc
AL-FAROOQ CORPORATION
 ENGINEERS & PRODUCT DEVELOPMENT
 9360 SUNSET DRIVE, SUITE 220
 MIAMI, FLORIDA 33173 (C.A.N. 3538)
 TEL. (305) 264-8100 FAX. (305) 262-6978
 COMP-ANL\21-02F-MG

MRG-400 ALUMINUM FIXED WDW. (L.M.I.)
MR-GLASS DOORS & WINDOWS MANUFACTURING, LLC
 8051 N.W. 79th Place
 Medley, FL 33166
 Tel. (305) 764-3963 Fax. (305) 470-8285

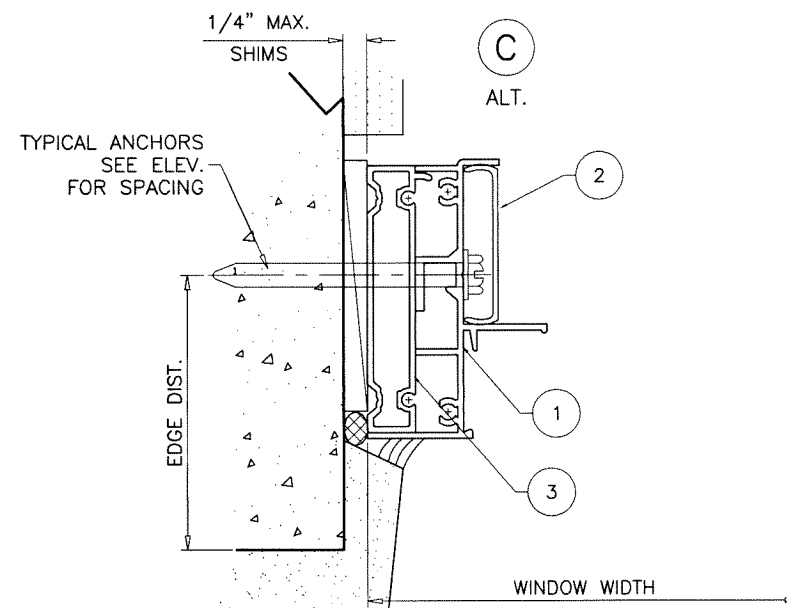
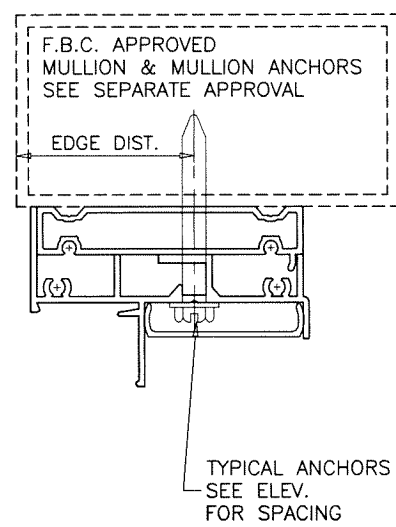
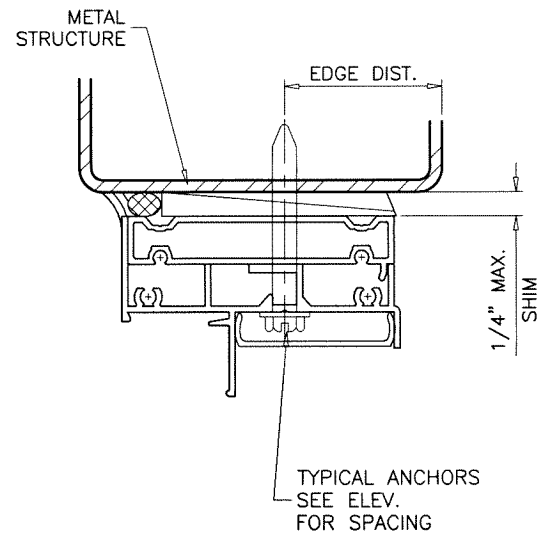
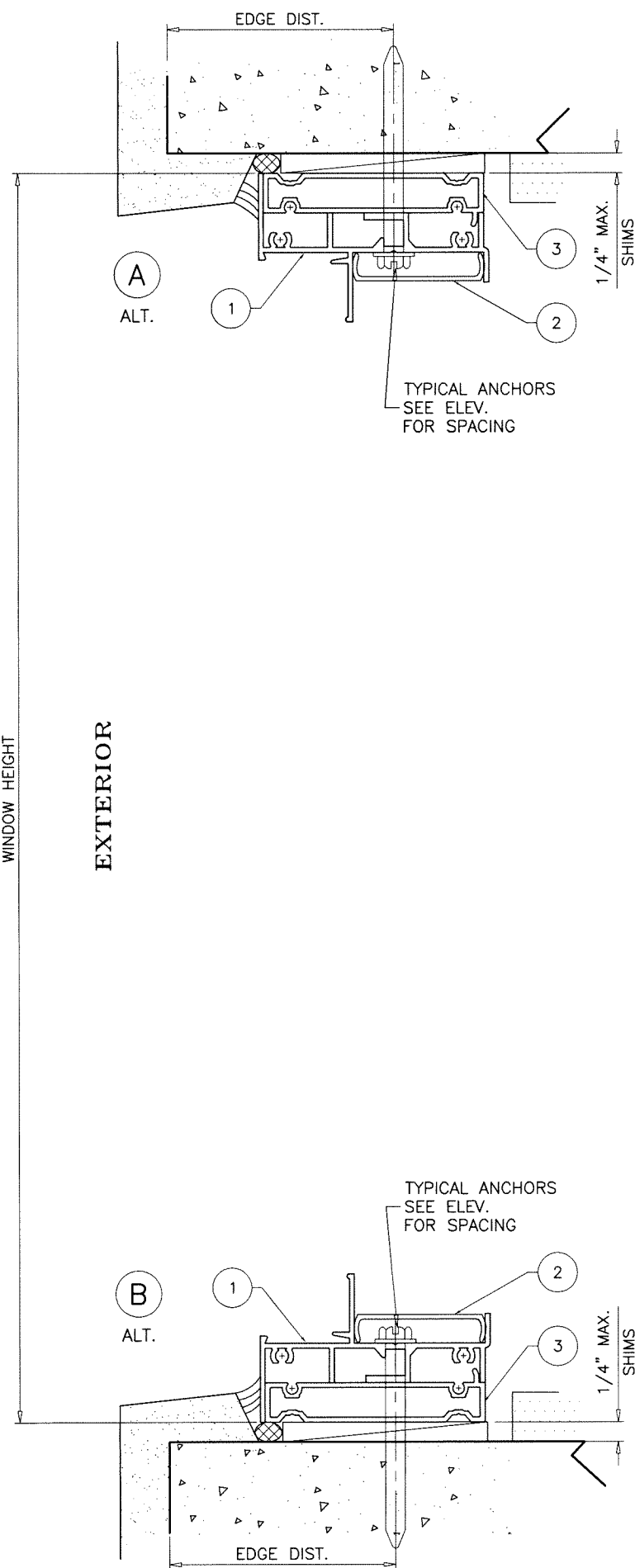
revisions:	no	date	by	description

date: 01-08-21
 scale: 1/2" = 1"
 dr. by: TARIQ
 chk. by:

drawing no.
21-02F
 sheet 5 of 7

WINDOW HEIGHT

EXTERIOR

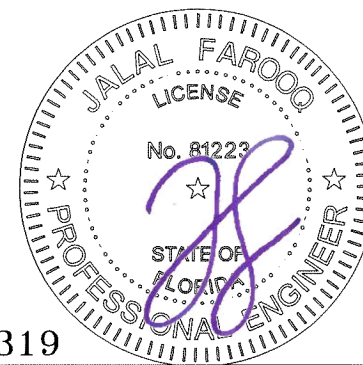


INSTALLATION DETAILS WITH FLUSH FRAME ADAPTERS

SEE SHEETS 4 & 5 FOR WINDOW DETAILS

Sealed: 7/21/2023

FL #37319



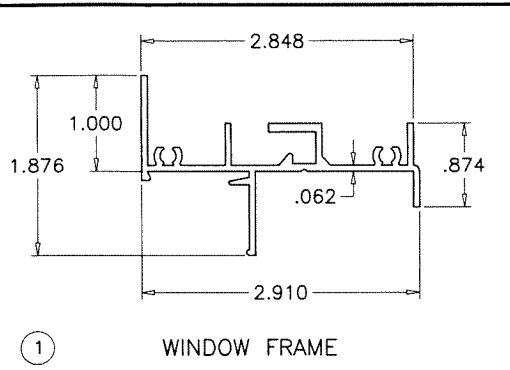
afc
AL-FAROOQ CORPORATION
 ENGINEERS & PRODUCT DEVELOPMENT
 9360 SUNSET DRIVE, SUITE 220 (C.A.N. 3538)
 MIAMI, FLORIDA 33173 TEL. (305) 264-8100 FAX. (305) 262-6978
 COMP-ANI\21-02F-MG

MRG-400 ALUMINUM FIXED WDW. (L.M.I.)
MR-GLASS DOORS & WINDOWS MANUFACTURING, LLC
 8051 N.W. 79th Place
 Medley, FL. 33166
 Tel. (305) 764-3963 Fax. (305) 470-8285

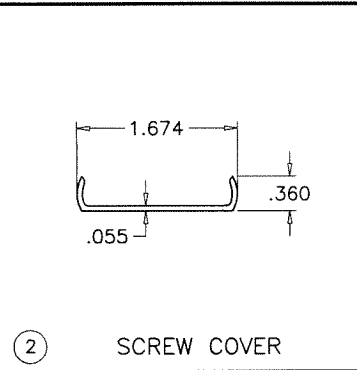
revisions:	no	date	by	description

date: 01-08-21
 scale: 1/2" = 1"
 dr. by: TARIQ
 chk. by:

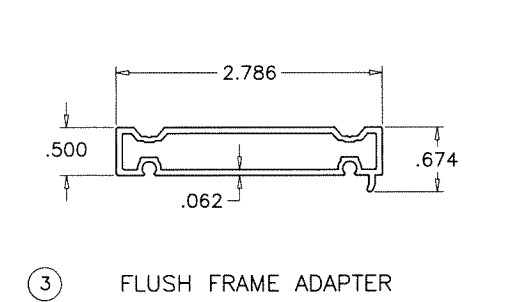
drawing no.
21-02F
 sheet 6 of 7



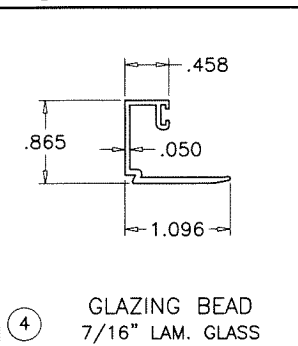
① WINDOW FRAME



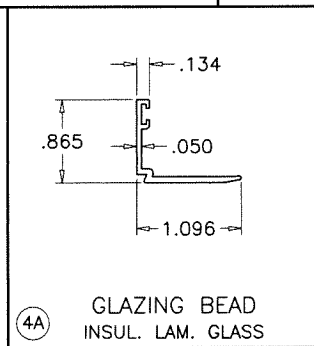
② SCREW COVER



③ FLUSH FRAME ADAPTER



④ GLAZING BEAD
7/16" LAM. GLASS

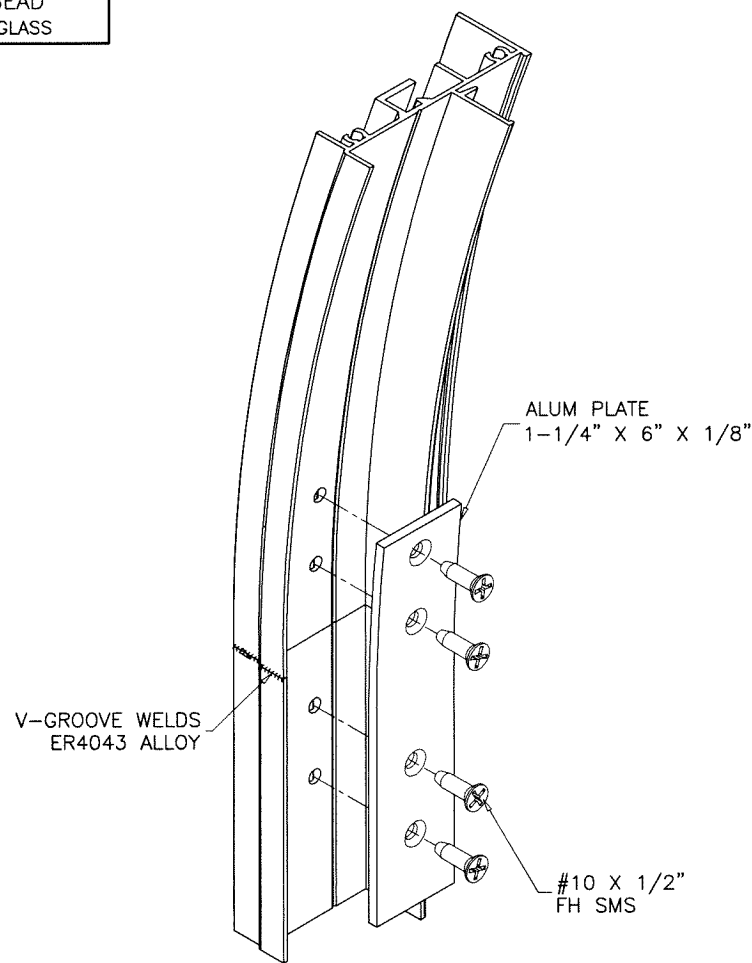


④A GLAZING BEAD
INSUL. LAM. GLASS

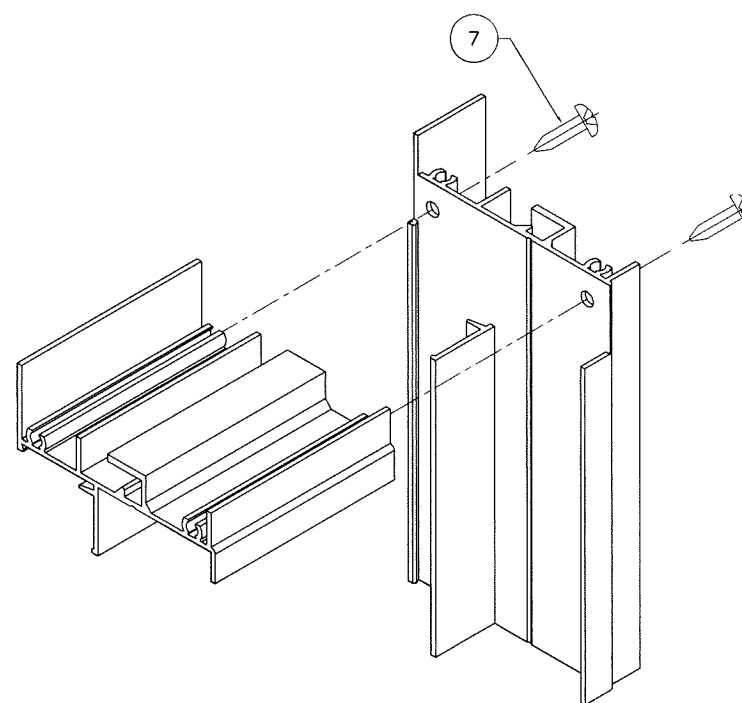
ITEM	PART #	QUANTITY	DESCRIPTION	MATERIAL	MANF./SUPPLIER/REMARKS
1	MRG-201	4	WINDOW FRAME	6063-T6	-
2	MRG-215	4	SCREW COVER	6063-T6	-
3	MRG-212	4	FLUSH FRAME ADAPTER	6063-T6	-
4	MRG-209	4	GLAZING BEAD (7/16" LAM. GLASS)	6063-T6	-
4A	MRG-210	4	GLAZING BEAD (INSUL. LAM. GLASS)	6063-T6	-
5	E201	AS REQD.	GLAZING BEAD BULB	NEOPRENE	ULTRAFAB
6	-	AS REQD.	SETTING BLOCKS AT 1/4 POINTS (3/16" X 1/2" X 1")	EPDM	DUROMETER 80±5 SHORE A
7	#10 X 1"	AS REQD.	FRAME ASSEMBLY FASTENERS	ST/ST	P.H. SMS
8	#8 X 1"	AS REQD.	ADAPTER ASSEMBLY FASTENERS	ST/ST	F.H. SMS
9	-	-	-	-	-

SEALANT:

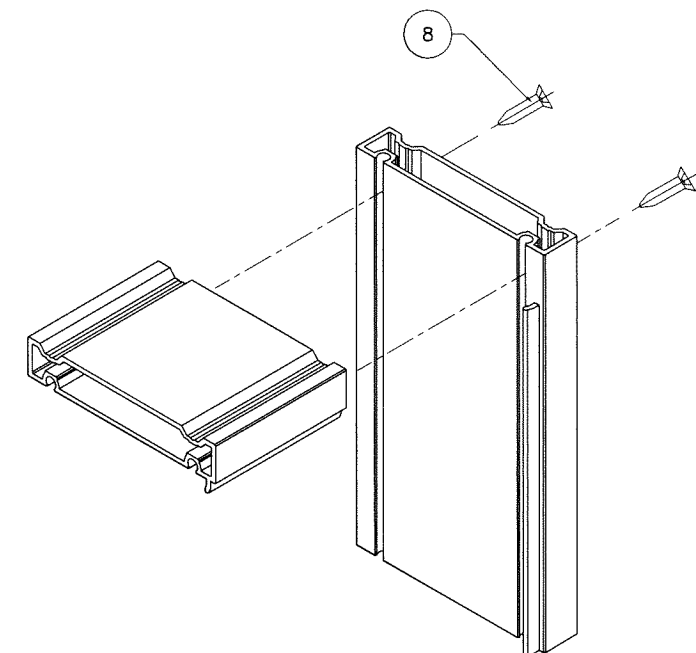
ALL JOINTS AND FRAME CONNECTIONS SEALED WITH SILICONE.



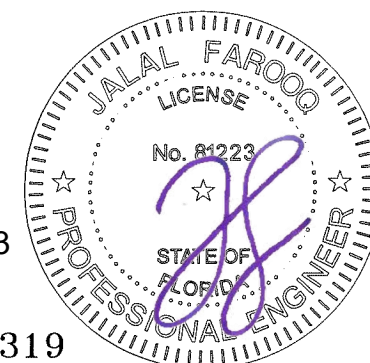
CIRCULAR WINDOWS



RECT. OR SQUARE WINDOWS



ADAPTER CORNERS



Sealed: 7/21/2023

FL #37319

af c
AL-FAROOQ CORPORATION
 ENGINEERS & PRODUCT DEVELOPMENT
 9360 SUNSET DRIVE, SUITE 220
 MIAMI, FLORIDA 33173 (C.A.N. 3638)
 TEL. (305) 264-8100 FAX. (305) 262-6978
 COMP-ANL\21-02F-MG

MRG-400 ALUMINUM FIXED WDW. (L.M.I.)
MR-GLASS DOORS & WINDOWS MANUFACTURING, LLC
 8051 N.W. 79th Place
 Medley, FL 33166
 Tel. (305) 764-3963 Fax. (305) 470-8285

revisions:	no	date	by	description

date: 01-08-21
 scale: 1/2" = 1"
 dr. by: TARIQ
 chk. by:
 drawing no.
21-02F
 sheet 7 of 7