



DBPR HOME | ABOUT DBPR | DBPR DIVISIONS | CONTACT DBPR

BCIS Home | Log In | User Registration | Hot Topics | Submit Surcharge | Stats & Facts | Publications | Contact Us | BCIS Site Map | Links | Search



Product Approval
USER: Public User

[Product Approval Menu](#) > [Product or Application Search](#) > [Application List](#) > **Application Detail**

OFFICE OF THE SECRETARY

FL #	FL38057-R4								
Application Type	Revision								
Code Version	2023								
Application Status	Approved								
Comments									
Archived	<input type="checkbox"/>								
Product Manufacturer	Mr-Glass Doors & Windows Manufacturing, LLC								
Address/Phone/Email	8051 NW 79th Place Medley, FL 33166 (305) 470-8284 ulises@mrglasswindows.com								
Authorized Signature	Ulises Senaris ulises@mrglasswindows.com								
Technical Representative	Augusto Arias								
Address/Phone/Email	8120 NW 84th St Medley, FL 33166 (305) 470-8284 aarias@mrglasswindows.com								
Quality Assurance Representative									
Address/Phone/Email									
Category	Exterior Doors								
Subcategory	Sliding Exterior Door Assemblies								
Compliance Method	Evaluation Report from a Florida Registered Architect or a Licensed Florida Professional Engineer <input type="checkbox"/> Evaluation Report - Hardcopy Received								
Florida Engineer or Architect Name who developed the Evaluation Report	Jalal Farooq								
Florida License	PE-81223								
Quality Assurance Entity	Keystone Certifications, Inc.								
Quality Assurance Contract Expiration Date	08/27/2025								
Validated By	Abel Carrasco, PE <input checked="" type="checkbox"/> Validation Checklist - Hardcopy Received								
Certificate of Independence	FL38057 R4 COI SS - Certificate of Independence 2023.pdf								
Referenced Standard and Year (of Standard)	<table border="0"> <thead> <tr> <th>Standard</th> <th>Year</th> </tr> </thead> <tbody> <tr> <td>TAS 201</td> <td>1994</td> </tr> <tr> <td>TAS 202</td> <td>1994</td> </tr> <tr> <td>TAS 203</td> <td>1994</td> </tr> </tbody> </table>	Standard	Year	TAS 201	1994	TAS 202	1994	TAS 203	1994
Standard	Year								
TAS 201	1994								
TAS 202	1994								
TAS 203	1994								
Equivalence of Product Standards Certified By									
Sections from the Code									

Product Approval Method Method 1 Option D

Date Submitted 08/15/2023
 Date Validated 08/17/2023
 Date Pending FBC Approval 08/23/2023
 Date Approved 10/18/2023

Summary of Products

FL #	Model, Number or Name	Description
38057.1	Series MG-1500 Aluminum Sliding Glass Door	Large missile impact resistant aluminum sliding glass door
Limits of Use Approved for use in HVHZ: Yes Approved for use outside HVHZ: Yes Impact Resistant: Yes Design Pressure: +65/-80 Other: See drawing 21-16F for span vs load combinations and installation details		Installation Instructions FL38057_R4_II_SS - MG-1500 SGD (LMI) DWG 21-16F 2023.pdf Verified By: Jalal Farooq PE # 81223 Created by Independent Third Party: Yes Evaluation Reports FL38057_R4_AE_SS - MG-1500 SGD (LMI)-PAE 2023.pdf Created by Independent Third Party: Yes
38057.2	Series MG-1500 Aluminum Sliding Glass Door	Small missile impact resistant aluminum sliding glass door
Limits of Use Approved for use in HVHZ: Yes Approved for use outside HVHZ: Yes Impact Resistant: Yes Design Pressure: +60/-70 Other: See drawing 21-20F for span vs load combinations and installation details		Installation Instructions FL38057_R4_II_SS - MG-1500 SGD (SMI) DWG 21-20F 2023.pdf Verified By: Jalal Farooq PE # 81223 Created by Independent Third Party: Yes Evaluation Reports FL38057_R4_AE_SS - MG-1500 SGD (SMI)-PAE 2023.pdf Created by Independent Third Party: Yes

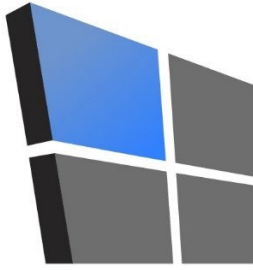
[Back](#) [Next](#)

Contact Us :: 2601 Blair Stone Road, Tallahassee FL 32399 Phone: 850-487-1824

The State of Florida is an AA/EEO employer. [Copyright 2007-2013 State of Florida.](#) :: [Privacy Statement](#) :: [Accessibility Statement](#) :: [Refund Statement](#)

Under Florida law, email addresses are public records. If you do not want your e-mail address released in response to a public-records request, do not send electronic mail to this entity. Instead, contact the office by phone or by traditional mail. If you have any questions, please contact 850.487.1395. *Pursuant to Section 455.275(1), Florida Statutes, effective October 1, 2012, licensees licensed under Chapter 455, F.S. must provide the Department with an email address if they have one. The emails provided may be used for official communication with the licensee. However email addresses are public record. If you do not wish to supply a personal address, please provide the Department with an email address which can be made available to the public. To determine if you are a licensee under Chapter 455, F.S., please click [here](#).





AL-FAROOQ CORPORATION

CONSULTING ENGINEERS & PRODUCT DEVELOPMENT

January 23, 2023

Product Approval Administrator
Building Codes & Standards Section
Department of Business & Professional Regulations
1940 North Monroe Street, Suite 90
Tallahassee, FL 32399-2100

To whom it may concern,

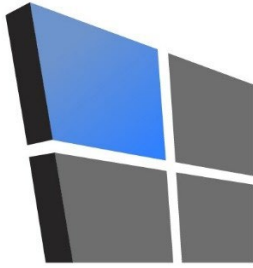
As the design engineer retained to prepare the product approval(s) associated with this letter as shown below on this same web page, I do hereby declare that I do not have and will not have any financial interest in any company manufacturing or distributing the referenced product(s), nor do I have or will have any financial interest with any other entity involved in the approval process of the referenced product(s).

Sincerely,



Jalal Farooq, P.E.
CFO

Sealed: 1/23/2023



AL-FAROOQ CORPORATION

CONSULTING ENGINEERS & PRODUCT DEVELOPMENT

PRODUCT APPROVAL EVALUATION RULE CHAPTER #61G20-3 • METHOD 1 OPTION D

FL 38057

Date: 07/20/2023

Detailed Product Description:

Manufacturer: MR-GLASS DOORS & WINDOWS MANUFACTURING LLC.

Manufacturer Address: 8051 NW 79th PLACE, MEDLEY, FL 33166

Model Name: MG-1500 ALUMINUM SLIDING GLASS DOOR

Maximum Load: +65 PSF, -80 PSF (Large Missile Impact)

Installation Drawings # 21-16F

This product complies with the High Velocity Hurricane Zone (HVHZ) testing requirements.					
For maximum sizes, combination of span vs loads and anchor type refer to installation drawings.					
Comparative analysis used <input checked="" type="checkbox"/> Yes <input type="checkbox"/> No					
Mandatory Tests (Tested in accordance with AAMA 101/I.S.2/NAFS/TAS-202)					
TEST	DESCRIPTION	TEST LOCATION	TEST REPORT DATE	TEST REPORT #	Test Sealed by
ASTM E283	Air Infiltration Leakage	Hurricane Engineering & Testing Inc.	02/11/2021 05/21/2021 11/07/2022 12/16/2022 05/17/2023	HETI-20-8095 HETI-20-8079 HETI-22-7241 HETI-22-7278 HETI-23-8031	Rafael E. Droz-Seda, PE Dr. Ram Tewari, PE
ASTM E331 OR ASTM 547 & TAS 202	Water Penetration	Hurricane Engineering & Testing Inc.	02/11/2021 05/21/2021 11/07/2022 12/16/2022 05/17/2023	HETI-20-8095 HETI-20-8079 HETI-22-7241 HETI-22-7278 HETI-23-8031	Rafael E. Droz-Seda, PE Dr. Ram Tewari, PE
ASTM E330 & TAS 202	Uniform Static Air Press.	Hurricane Engineering & Testing Inc.	02/11/2021 06/24/2021 06/24/2021 11/07/2022 12/16/2022 05/17/2023	HETI-20-8095 HETI-21-7047 HETI-21-7051 HETI-22-7241 HETI-22-7278 HETI-23-8031	Rafael E. Droz-Seda, PE Dr. Ram Tewari, PE
ASTM F842	Forced Entry	Hurricane Engineering & Testing Inc.	02/11/2021 11/07/2022 12/16/2022 05/17/2023	HETI-20-8095 HETI-22-7241 HETI-22-7278 HETI-23-8031	Rafael E. Droz-Seda, PE Dr. Ram Tewari, PE

Supplemental Tests (Tested in accordance with TAS-201 and TAS-203)

TEST	DESCRIPTION	TEST LOCATION	TEST REPORT DATE	TEST REPORT #	Test Sealed by
FBC 1626.2 (TAS 201 & 203) ASTME1886/1996	Large Missile Impact & Cyclic	Hurricane Engineering & Testing Inc.	02/11/2021	HETI-20-8095	Rafael E. Droz-Seda, PE
			06/24/2021	HETI-21-7047	
			06/24/2021	HETI-21-7051	Dr. Ram Tewari, PE
			11/07/2022	HETI-22-7241	
			12/16/2022	HETI-22-7278	
			12/16/2022	HETI-22-7280	
			05/17/2023	HETI-23-8031	

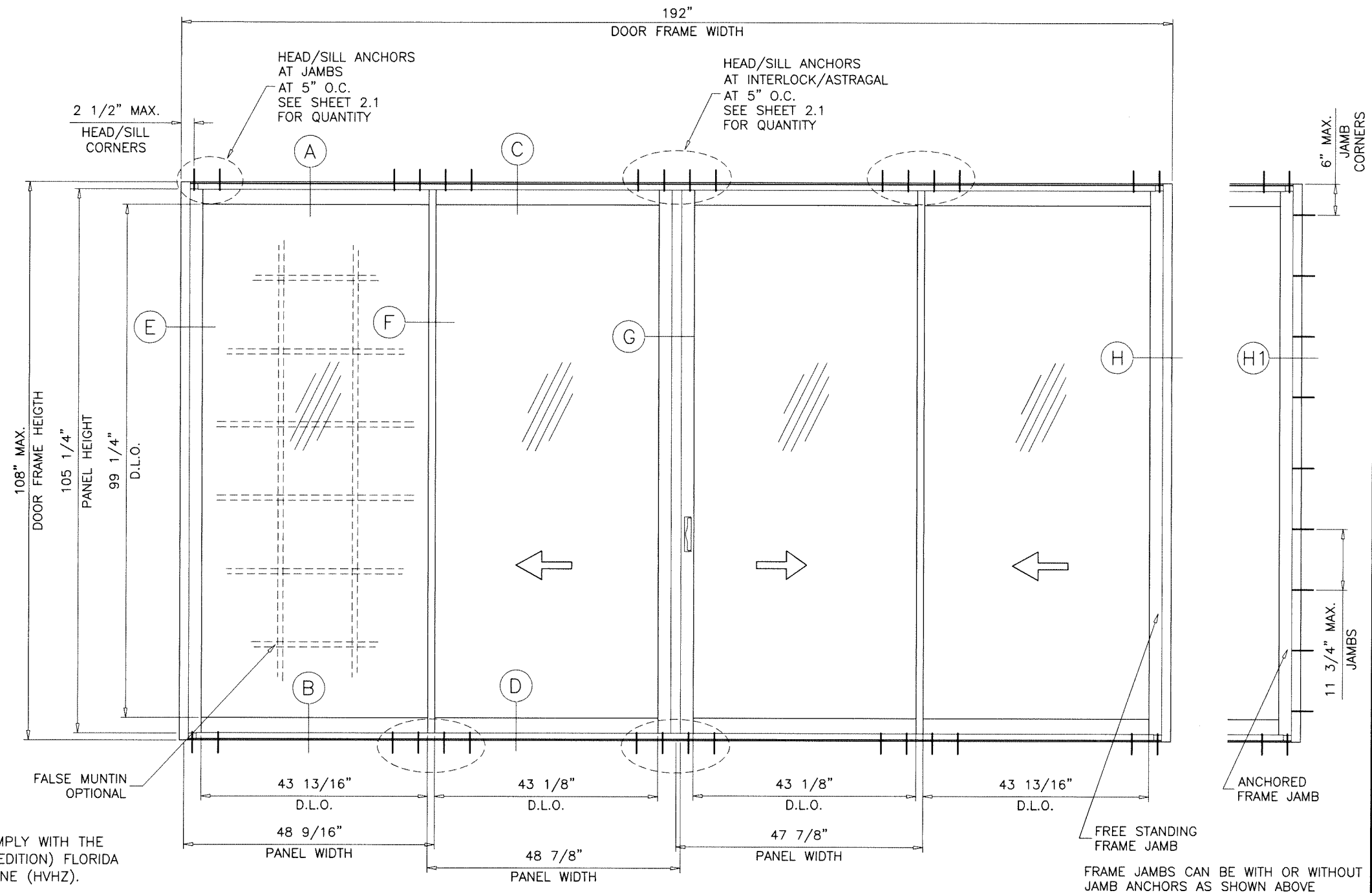
Under the limitations of the attached installation drawings, to the best of my knowledge and ability, the above product conforms to the requirements of the 2023 Florida Building Code.

Evaluation Report Engineer:

Jalal Farooq PE # 81223
Al-Farooq Corporation EB # 3538



Sealed: 7/21/2023



**SERIES MG-1500 (L.M.I.)
ALUMINUM SLIDING GLASS DOOR**

THIS PRODUCT HAS BEEN DESIGNED AND TESTED TO COMPLY WITH THE REQUIREMENTS OF THE 2020 (7TH EDITION)/2023 (8TH EDITION) FLORIDA BUILDING CODE INCLUDING HIGH VELOCITY HURRICANE ZONE (HVHZ).

1BY OR 2BY WOOD BUCKS & BUCK FASTENERS BY OTHERS, MUST BE DESIGNED AND INSTALLED ADEQUATELY TO TRANSFER APPLIED PRODUCT LOADS TO THE BUILDING STRUCTURE.

ANCHORS SHALL BE CORROSION RESISTANT, SPACED AS SHOWN ON DETAILS AND INSTALLED PER MANUF'S INSTRUCTIONS. SPECIFIED EMBEDMENT TO BASE MATERIAL SHALL BE BEYOND WALL DRESSING OR STUCCO.

A LOAD DURATION INCREASE IS USED IN DESIGN OF ANCHORS INTO WOOD ONLY. ALL SHIMS TO BE HIGH IMPACT, NON-METALLIC AND NON-COMPRESSIBLE.

MATERIALS INCLUDING BUT NOT LIMITED TO STEEL/METAL SCREWS, THAT COME INTO CONTACT WITH OTHER DISSIMILAR MATERIALS SHALL MEET THE REQUIREMENTS OF THE 2020/2023 FLORIDA BLDG. CODE & ADOPTED STANDARDS.

THIS PRODUCT APPROVAL IS GENERIC AND DOES NOT PROVIDE INFORMATION FOR A SITE SPECIFIC PROJECT, I.E. LIFE SAFETY OF THIS PRODUCT, ADEQUACY OF STRUCTURE RECEIVING THIS PRODUCT AND SEALING AROUND OPENING FOR WATER INFILTRATION RESISTANCE ETC. CONDITIONS NOT SHOWN IN THIS DRAWING ARE TO BE ANALYZED SEPARATELY, AND TO BE REVIEWED BY BUILDING OFFICIAL.

DESIGN LOADS SHOWN ARE BASED ON 'ALLOWABLE STRESS DESIGN (ASD)'. MANUFACTURER'S LABEL SHALL BE LOCATED ON A READILY VISIBLE LOCATION IN ACCORDANCE WITH SECTION 1709.9.3 OF FLORIDA BUILDING CODE. LABELING TO COMPLY WITH SECTION 1709.9.2.

TYPICAL ELEVATION
TESTED UNIT

INSTRUCTIONS:

USE CHARTS AS FOLLOWS

- STEP 1** DETERMINE DESIGN WIND LOAD REQUIREMENT BASED ON WIND VELOCITY, BLDG. HEIGHT, WIND ZONE USING APPLICABLE ASCE 7 STANDARD.
- STEP 2** DETERMINE DOOR CAPACITY FROM TABLE ON SHEET 2 FOR INTERLOCK AND ASTRAGAL STILES USED.
- STEP 3** USING CHARTS ON SHEET 2.1 SELECT ANCHOR OPTION WITH DESIGN RATING MORE THAN DESIGN LOAD SPECIFIED IN STEP 1 ABOVE.
- STEP 4** FOR DOORS WITH FREE STANDING JAMBS SEE SHEET 6 TO VERIFY MIN. & MAX. GAP DIMENSIONS.
- STEP 5** THE LOWEST VALUE RESULTING FROM STEPS 2 THRU 4 SHALL APPLY TO ENTIRE SYSTEM.

THESE DOORS ARE RATED FOR LARGE & SMALL MISSILE IMPACT. SHUTTERS ARE NOT REQUIRED.

Sealed: 7/21/2023

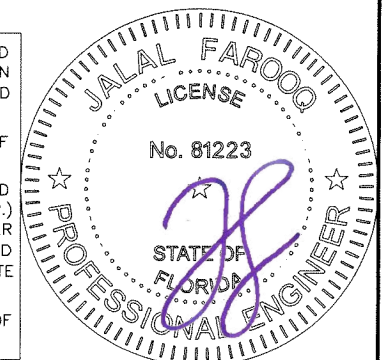
FL #38057

A- CONTRACTOR TO BE RESPONSIBLE FOR THE SELECTION, PURCHASE AND INSTALLATION OF THIS PRODUCT BASED ON THIS PRODUCT EVALUATION PROVIDED HE/SHE DOES NOT DEVIATE FROM THE CONDITIONS DETAILED ON THIS DOCUMENT.

B- THIS PRODUCT EVALUATION DOCUMENT WILL BE CONSIDERED INVALID IF ALTERED BY ANY MEANS.

C- SITE SPECIFIC PROJECTS SHALL BE PREPARED BY A FLORIDA REGISTERED ENGINEER OR ARCHITECT WHICH WILL BECOME THE ENGINEER OF RECORD (E.O.R.) FOR THE PROJECT AND WHO WILL BE RESPONSIBLE FOR THE PROPER USE OF THE P.E.D. ENGINEER OF RECORD, ACTING AS A DELEGATED ENGINEER TO THE P.E.D. ENGINEER SHALL SUBMIT TO THIS LATTER THE SITE SPECIFIC DRAWINGS FOR REVIEW.

D- THIS P.E.D. SHALL BEAR THE DATE AND ORIGINAL SEAL AND SIGNATURE OF THE PROFESSIONAL ENGINEER OF RECORD THAT PREPARED IT.



afc
AL-FAROOQ CORPORATION
ENGINEERS & PRODUCT DEVELOPMENT
9360 SUNSET DRIVE, SUITE 220
MIAMI, FLORIDA 33173
TEL. (305) 264-8100 FAX. (305) 262-6978
COMP-ANL\21-16F-MG

MG-1500 ALUM SLIDING GLASS DOOR (L.M.I.)
MR-GLASS DOORS & WINDOWS MANUFACTURING, LLC
8051 N.W. 79th Place
Medley, FL. 33166
Tel. (305) 764-3963 Fax. (305) 470-8285

no	date	description
A	07.01.21	GLASS TYPE B ADDED
B	01.12.23	STILES OPTIONS ADDED
C	06.07.23	STD. ASTRAGAL ADDED
D	07.18.23	UPDATED TO 2023 FBC

revisions:

date: 02-25-21
scale: 1/2" = 1'-0"
dr. by: TARIO
chk. by:

drawing no.
21-16F

sheet 1 of 10

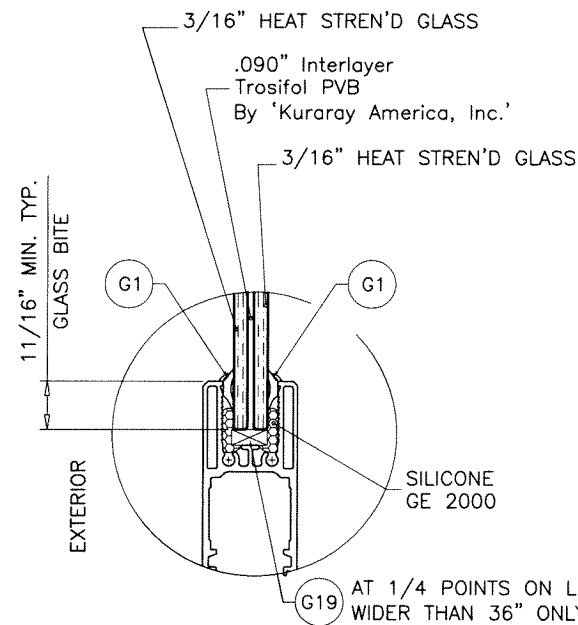
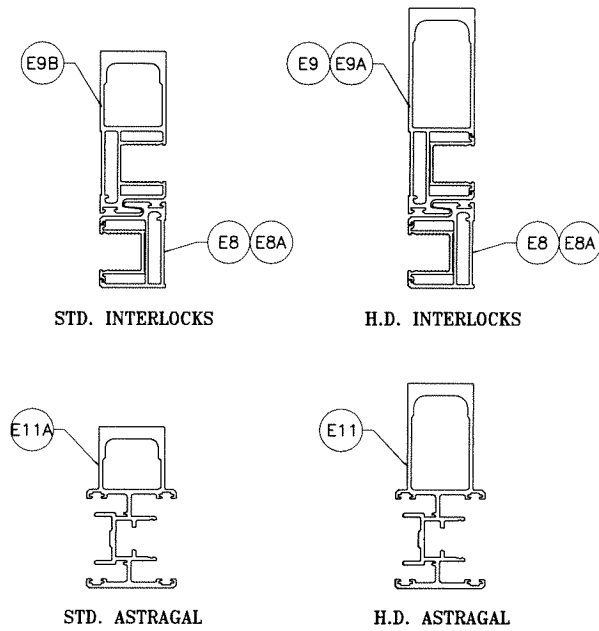
DESIGN LOAD CAPACITY - PSF							
AVERAGE PANEL WIDTH INCHES	DOOR FRAME HEIGHT INCHES	GLASS TYPES 'A' & 'A1'		GLASS TYPE 'A1'		GLASS TYPE 'B'	
		STD. INTERLOCKS STD. ASTRAGAL		H.D. INTERLOCKS H.D. ASTRAGAL		H.D. INTERLOCKS H.D. ASTRAGAL	
		EXT.(+)	INT.(-)	EXT.(+)	INT.(-)	EXT.(+)	INT.(-)
30	82	60.0	65.0	65.0	80.0	60.0	65.0
36		60.0	65.0	65.0	80.0	60.0	65.0
42		60.0	65.0	65.0	80.0	60.0	65.0
48		60.0	65.0	65.0	80.0	60.0	65.0
54		-	-	65.0	80.0	60.0	65.0
60		-	-	65.0	80.0	60.0	65.0
63	-	-	65.0	80.0	60.0	65.0	
30	84	60.0	65.0	65.0	80.0	60.0	65.0
36		60.0	65.0	65.0	80.0	60.0	65.0
42		60.0	65.0	65.0	80.0	60.0	65.0
48		60.0	65.0	65.0	80.0	60.0	65.0
54		-	-	65.0	80.0	60.0	65.0
61		-	-	65.0	80.0	60.0	65.0
30	90	-	-	65.0	80.0	60.0	65.0
36		-	-	65.0	80.0	60.0	65.0
42		-	-	65.0	80.0	60.0	65.0
48		-	-	65.0	80.0	60.0	65.0
54		-	-	65.0	80.0	60.0	65.0
57		-	-	65.0	80.0	60.0	65.0
30	96	-	-	65.0	80.0	60.0	65.0
36		-	-	65.0	80.0	60.0	65.0
42		-	-	65.0	80.0	60.0	65.0
48		-	-	65.0	80.0	60.0	65.0
50		-	-	60.0	65.0	60.0	65.0
54		-	-	60.0	65.0	60.0	65.0
30	102	-	-	60.0	65.0	60.0	65.0
36		-	-	60.0	65.0	60.0	65.0
42		-	-	60.0	65.0	60.0	65.0
48		-	-	60.0	65.0	60.0	65.0
50		-	-	60.0	65.0	60.0	65.0
54		-	-	60.0	65.0	60.0	65.0
30	108	-	-	60.0	65.0	60.0	65.0
36		-	-	60.0	65.0	60.0	65.0
42		-	-	60.0	65.0	60.0	65.0
48		-	-	60.0	65.0	60.0	65.0
48		-	-	60.0	65.0	60.0	65.0
48		-	-	60.0	65.0	60.0	65.0

SEE CHART ABOVE FOR DESIGN LOAD CAPACITY OF DESIRED GLASS SIZE.

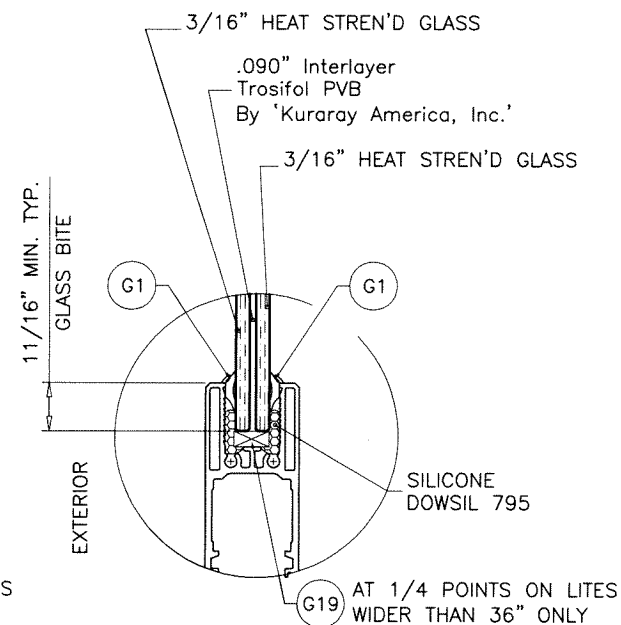
SEE CHART ON SHEET 2.1 FOR HEAD/SILL ANCHOR CAPACITY. LOWER DESIGN PRESSURES FROM DESIGN LOAD CHART OR ANCHOR CHART WILL APPLY TO ENTIRE SYSTEM.

DOOR HEIGHT AND WIDTH SIZE MUST COMPLY EGRESS REQUIREMENTS PER FBC AS REQUIRED.

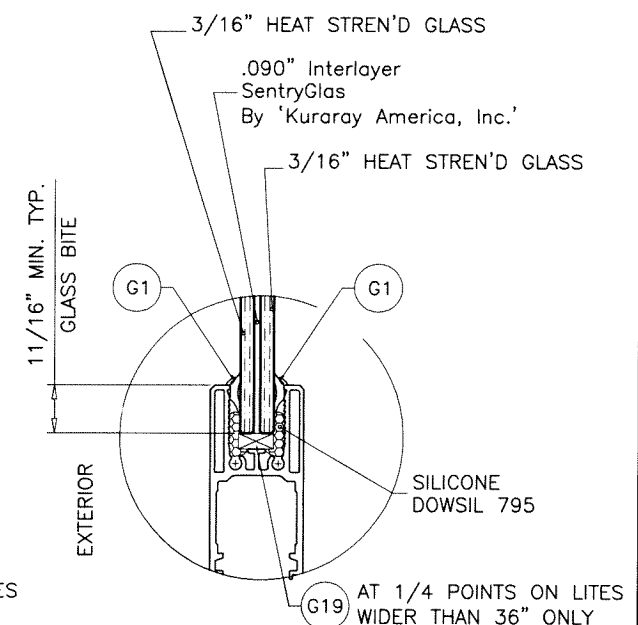
$$\text{AVERAGE PANEL WIDTH} = \frac{\text{DOOR FRAME WIDTH}}{\text{NUMBER OF PANELS}}$$



GLASS TYPE 'A'
7/16" OVERALL LAM. GLASS



GLASS TYPE 'A1'
7/16" OVERALL LAM. GLASS



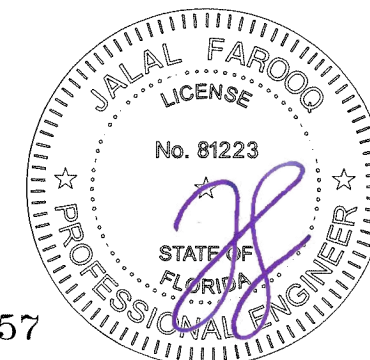
GLASS TYPE 'B'
7/16" OVERALL LAM. GLASS

GLAZING OPTIONS

NOTE:
GLASS CAPACITIES ON THIS SHEET ARE BASED ON ASTM E1300-09 (3 SEC. GUSTS) AND FLORIDA BUILDING COMMISSION DECLARATORY STATEMENT DCA05-DEC-219

Sealed: 7/21/2023

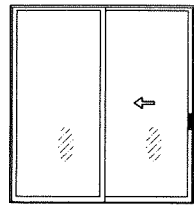
FL #38057



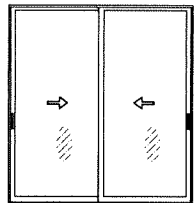
AL-FAROOQ CORPORATION
ENGINEERS & PRODUCT DEVELOPMENT
9360 SUNSET DRIVE, SUITE 220
MIAMI, FLORIDA 33173
TEL. (305) 264-8100 FAX. (305) 262-6978
COMP-ANL \ 21-16F-MG

MG-1500 ALUM SLIDING GLASS DOOR (L.M.I.)
MR-GLASS DOORS & WINDOWS MANUFACTURING, LLC
8051 N.W. 79th Place
Medley, FL. 33166
Tel. (305) 764-3963 Fax. (305) 470-8285

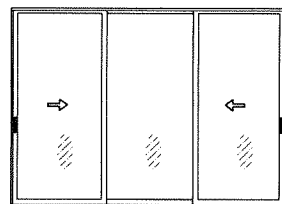
revisions:	no.	date	by	description
date:	02-25-21	scale:	3/8" = 1"	
dr. by:	TARIQ	chk. by:		
drawing no.	21-16F			
sheet	2 of 10			



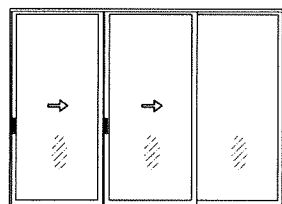
OX (SHOWN)
XO



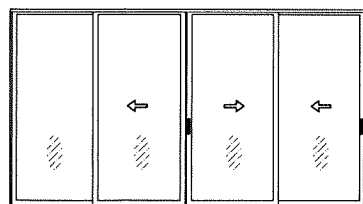
XX (SHOWN)



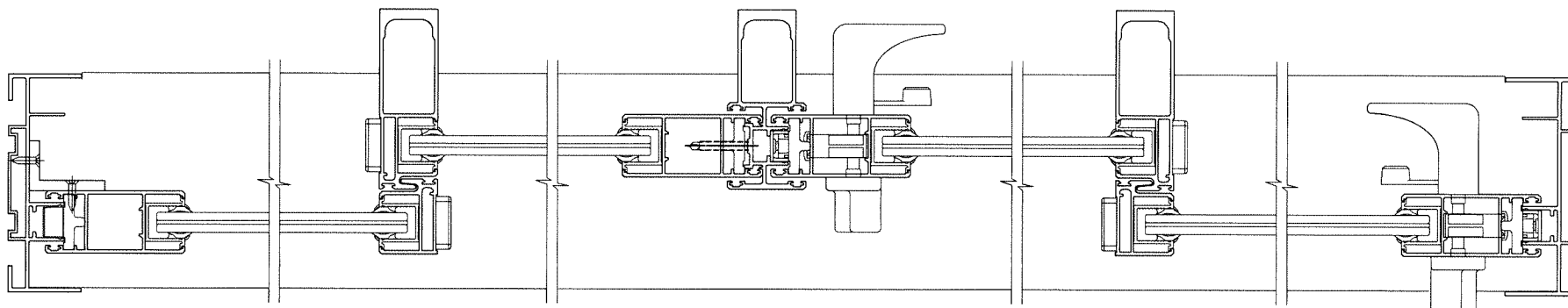
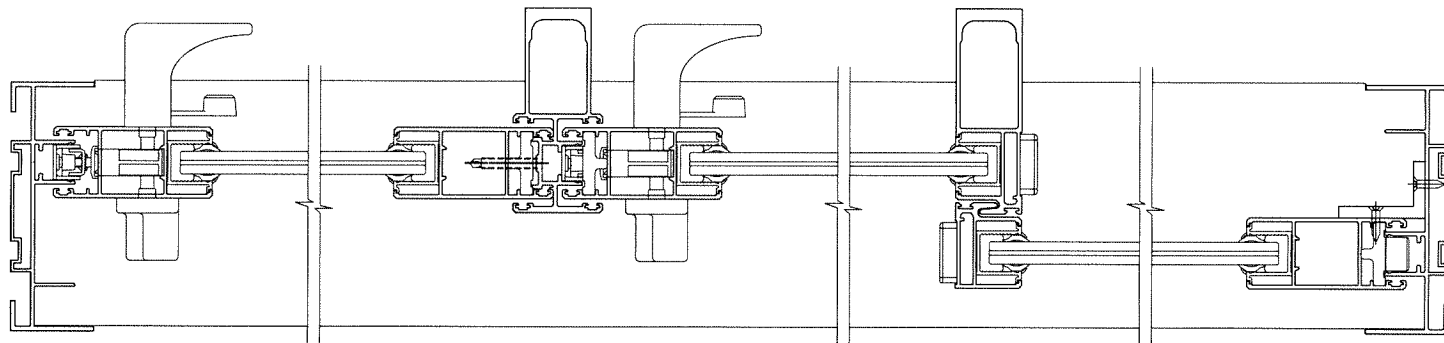
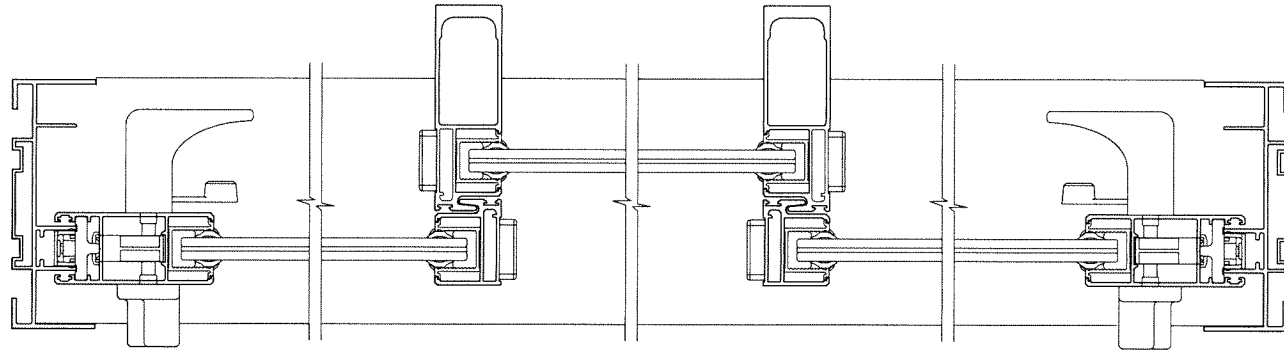
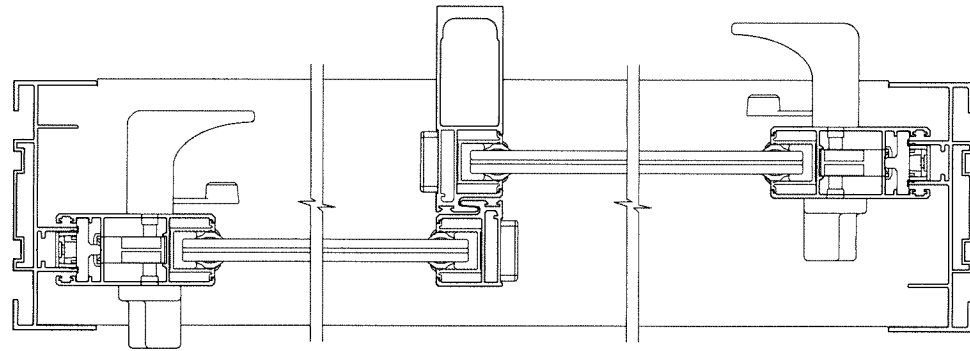
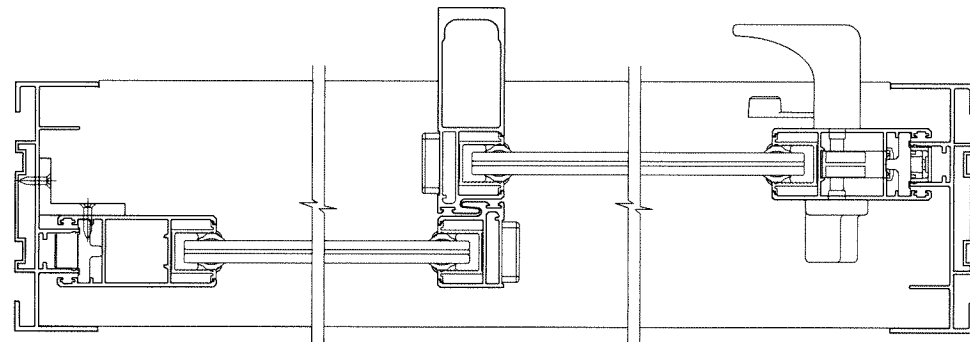
XOX (SHOWN)



XXO (SHOWN)
OXX



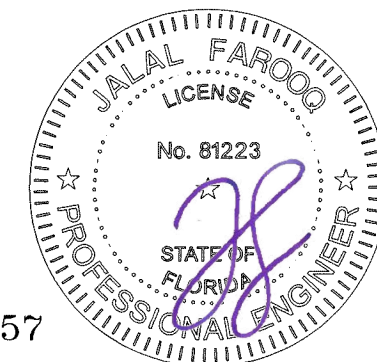
OXXX (SHOWN)
XXXX
OXXO



NOTE:
1. CONFIGURATIONS SHOWN FOR ILLUSTRATION PURPOSES ONLY.
2. FOR APPLICABLE DESIGN PRESSURES SEE SHEETS 2 & 2.1.
3. FOR ANCHOR DETAILS SEE SHEETS 4 THRU 7.

APPROVED CONFIGURATIONS

FL #38057



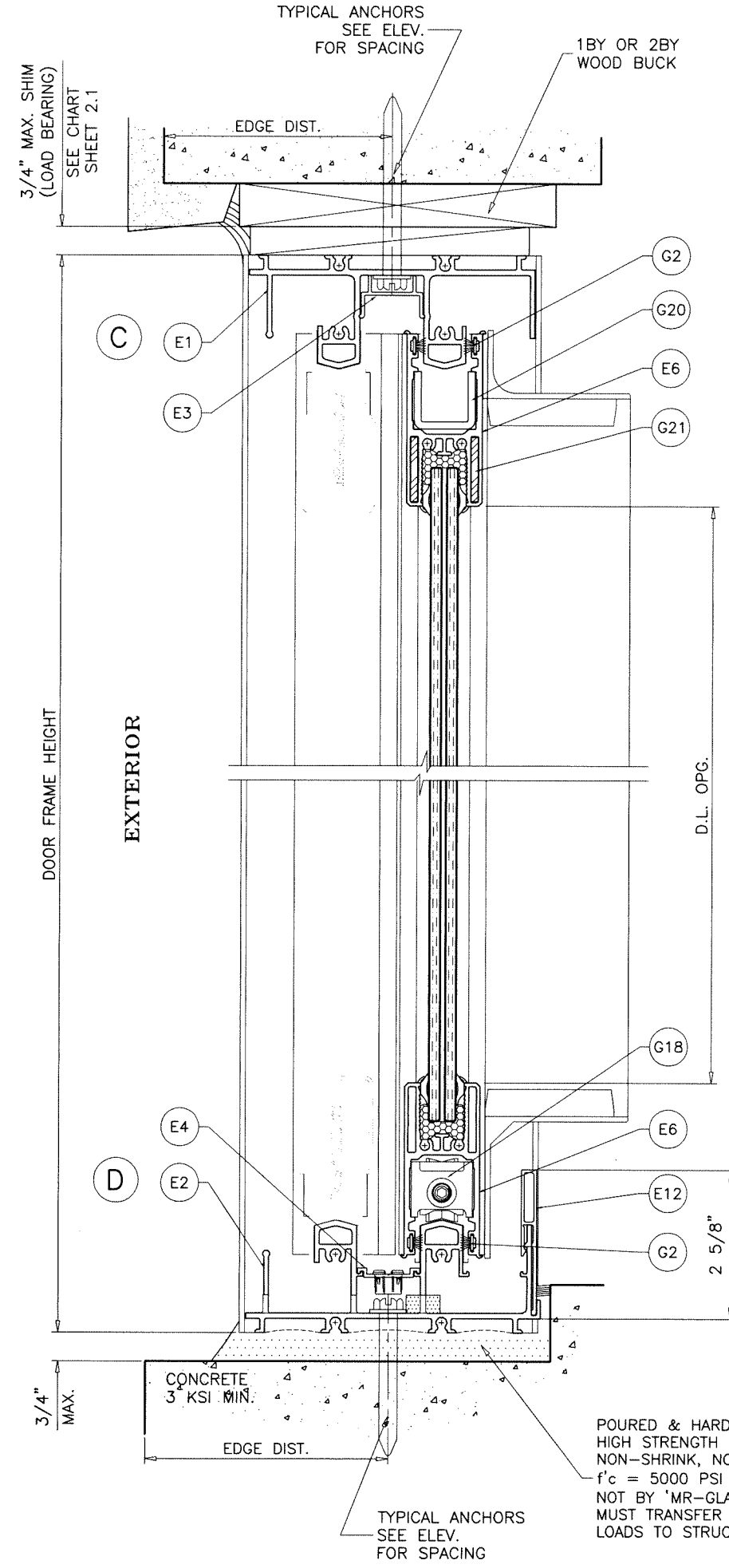
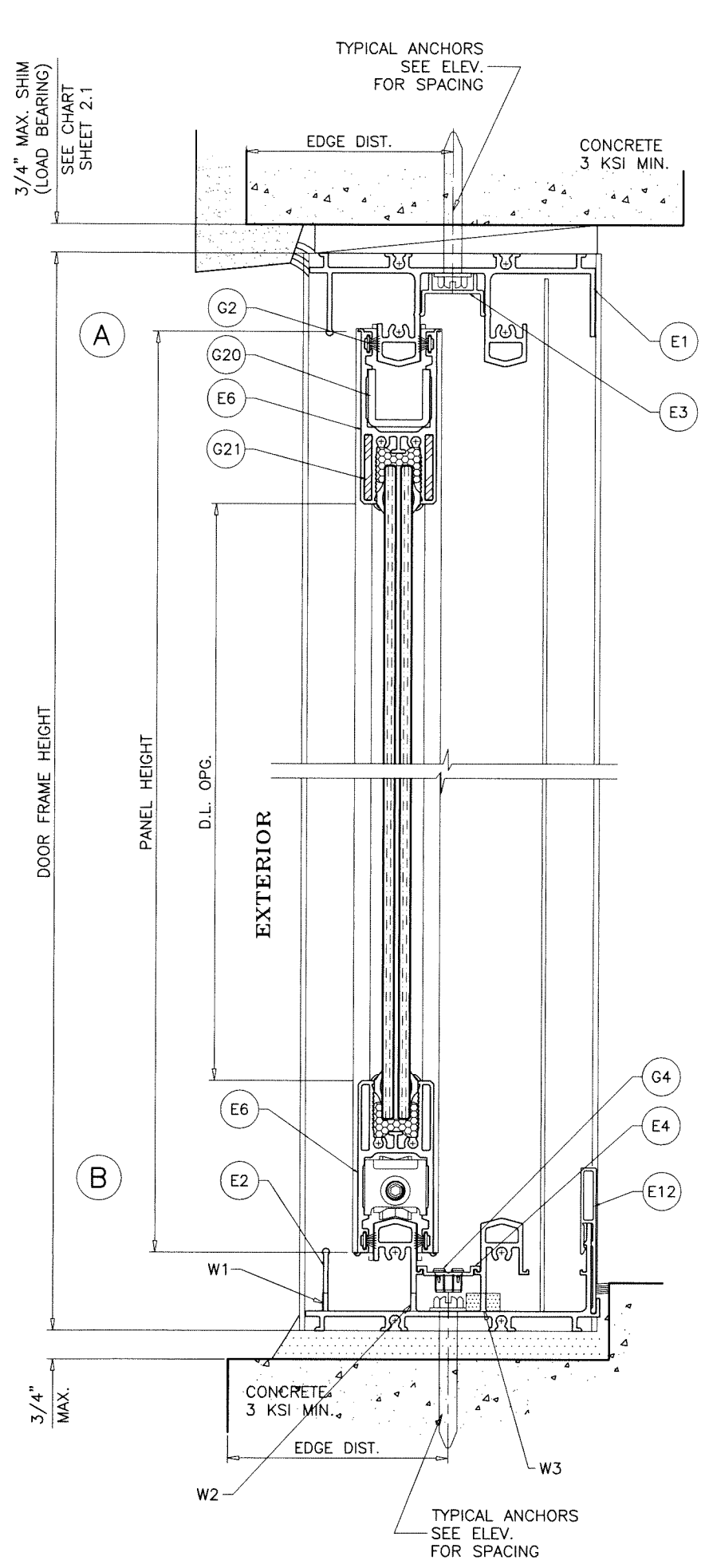
Sealed: 7/21/2023

af c
AL-FAROOQ CORPORATION
ENGINEERS & PRODUCT DEVELOPMENT
9360 SUNSET DRIVE, SUITE 220
MIAMI, FLORIDA 33173 (C.A.N. 3538)
TEL. (305) 264-8100 FAX. (305) 262-6978
COMP-ANL\21-16F-MG

MG-1500 ALUM SLIDING GLASS DOOR (L.M.I.)
MR-GLASS DOORS & WINDOWS MANUFACTURING, LLC
8051 N.W. 79th Place
Medley, FL. 33166
Tel. (305) 764-3963 Fax. (305) 470-8285

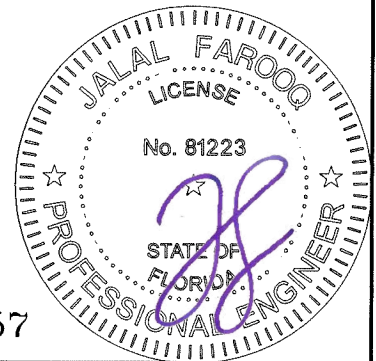
revisions:	no	date	by	description

date: 02-25-21
scale: 3/8" = 1"
dr. by: TARIO
chk. by:
drawing no.
21-16F
sheet 3 of 10



WEEPHOLES:

- W1 = EXTERIOR LEG CUT 3-1/2" ON EACH END
3"W X 1/4"H WEEP SLOTS AT 24" O.C.
- W2 = 1-3/8"W X 1/4"H WEEP SLOTS AT 12" O.C.
- W3 = 1-3/8"W X 1/4"H WEEP SLOTS AT 12" O.C.
WITH RETICULATED FOAM.



Sealed: 7/21/2023

FL #38057

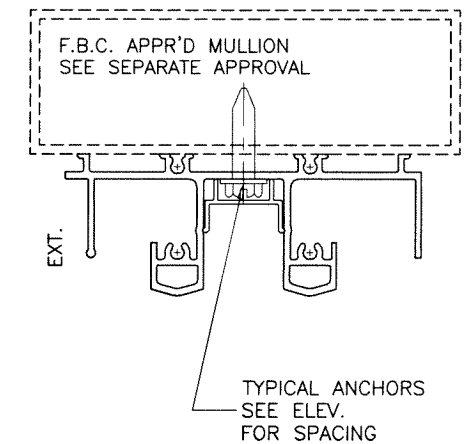
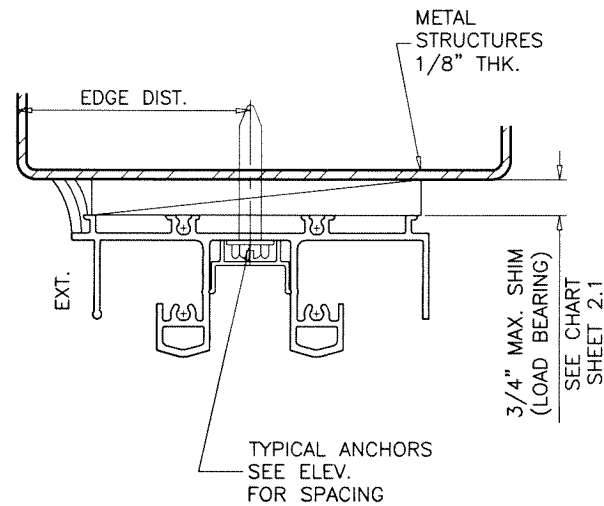
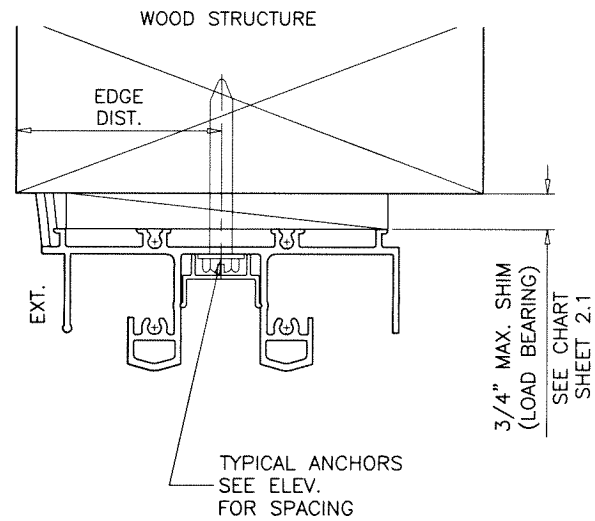
afc

AL-FAROOQ CORPORATION
ENGINEERS & PRODUCT DEVELOPMENT
9360 SUNSET DRIVE, SUITE 220
MIAMI, FLORIDA 33173 (C.A.N. 3538)
TEL. (305) 264-8100 FAX. (305) 262-6978
COMP-ANL 21-16F-MG

MG-1500 ALUM SLIDING GLASS DOOR (L.M.I.)
MR-GLASS DOORS & WINDOWS MANUFACTURING, LLC
8051 N.W. 79th Place
Medley, FL. 33166
Tel. (305) 764-3963 Fax. (305) 470-8285

revisions:	no	date	by description

date: 02-25-21	scale: 3/8" = 1"	dr. by: TARIQ	chk. by:
drawing no.		21-16F	
sheet 4 of 10			



1BY OR 2BY WOOD BUCKS AND METAL STRUCTURE NOT BY 'MR-GLASS' MUST SUSTAIN LOADS IMPOSED BY GLAZING SYSTEM AND TRANSFER THEM TO THE BUILDING STRUCTURE.

TYPICAL ANCHORS: SEE ELEV. FOR SPACING

- TYPE 'A' - 5/16" DIA. ULTRACON BY 'DEWALT'** (Fu=177 KSI, Fy=155 KSI)
 INTO WOOD STRUCTURES
 1-7/8" MIN. PENETRATION INTO WOOD (HEAD/JAMBS)
 THRU 1BY OR 2BY BUCKS INTO CONC. OR BLOCKS
 1-1/4" MIN. EMBED INTO CONCRETE (HEAD)
 1-1/4" MIN. EMBED INTO CONC. OR BLOCKS (JAMBS)
 DIRECTLY INTO CONC. OR BLOCKS
 1-3/4" MIN. EMBED INTO CONCRETE (JAMBS)
 1-3/4" MIN. EMBED INTO GROUT-FILLED BLOCKS (JAMBS)

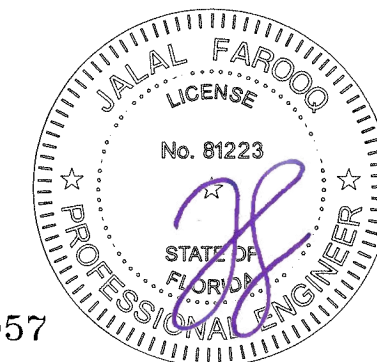
- TYPE 'B' - 5/16" DIA. ULTRACON BY 'DEWALT'** (Fu=177 KSI, Fy=155 KSI)
 DIRECTLY INTO CONCRETE
 1-3/4" MIN. EMBED (HEAD/SILL)

- TYPE 'C' - 5/16" DIA. TEKS OR SELF DRILLING SCREWS** (GRADE 5 CRS)
 INTO F.B.C. APPROVED MULLIONS
 OR
 INTO METAL STRUCTURES (HEAD/JAMBS)
 (3) THREADS MIN. TO EXTEND BEYOND METAL THICKNESS
 ALUMINUM: 1/8" THK. MIN. (6063-T5 MIN.)
 STEEL: 1/8" THK. MIN. (Fy = 36 KSI MIN.)
 (STEEL IN CONTACT WITH ALUMINUM TO BE PLATED OR PAINTED)

TYPICAL EDGE DISTANCE

- INTO CONCRETE AT HEAD/SILL = 2-3/16" MIN.
- INTO CONCRETE AND BLOCKS AT JAMBS = 2-1/2" MIN.
- INTO WOOD STRUCTURE = 1-1/4" MIN.
- INTO METAL STRUCTURE = 3/4" MIN.

- WOOD AT HEAD OR JAMBS SG = 0.55 MIN.
- CONCRETE AT HEAD, SILL OR JAMBS f'c = 3000 PSI MIN.
- C-90 HOLLOW/FILLED BLOCK AT JAMBS f'm = 2000 PSI MIN.



Sealed: 7/21/2023

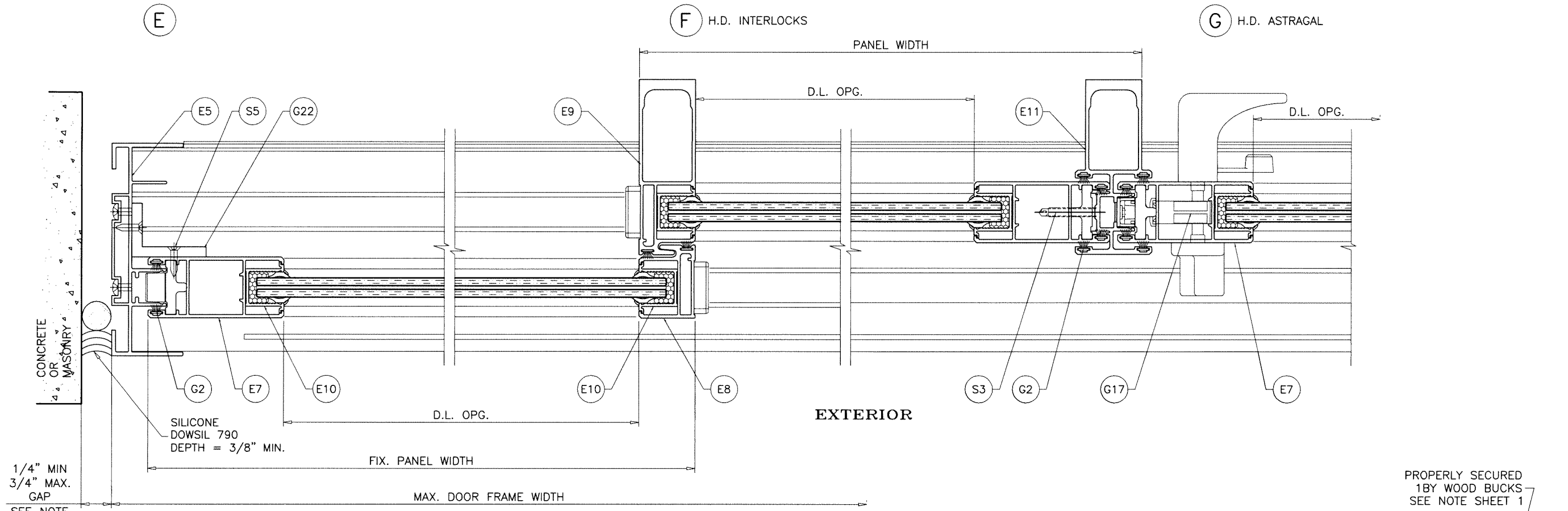
FL #38057

af c
AL-FAROOQ CORPORATION
 ENGINEERS & PRODUCT DEVELOPMENT
 9360 SUNSET DRIVE, SUITE 220
 MIAMI, FLORIDA 33173 (C.A.N. 3538)
 TEL. (305) 264-8100 FAX. (305) 262-6978
 COMP-ANL\21-16F-MG

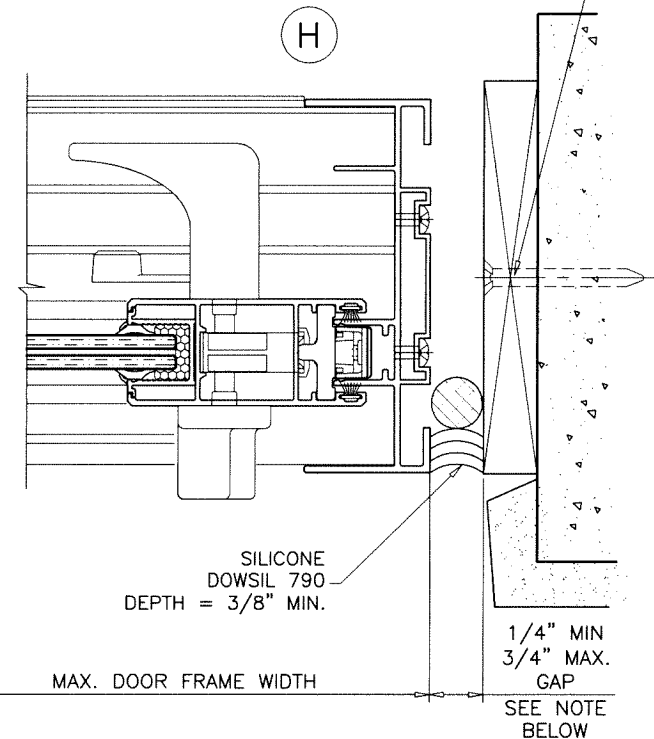
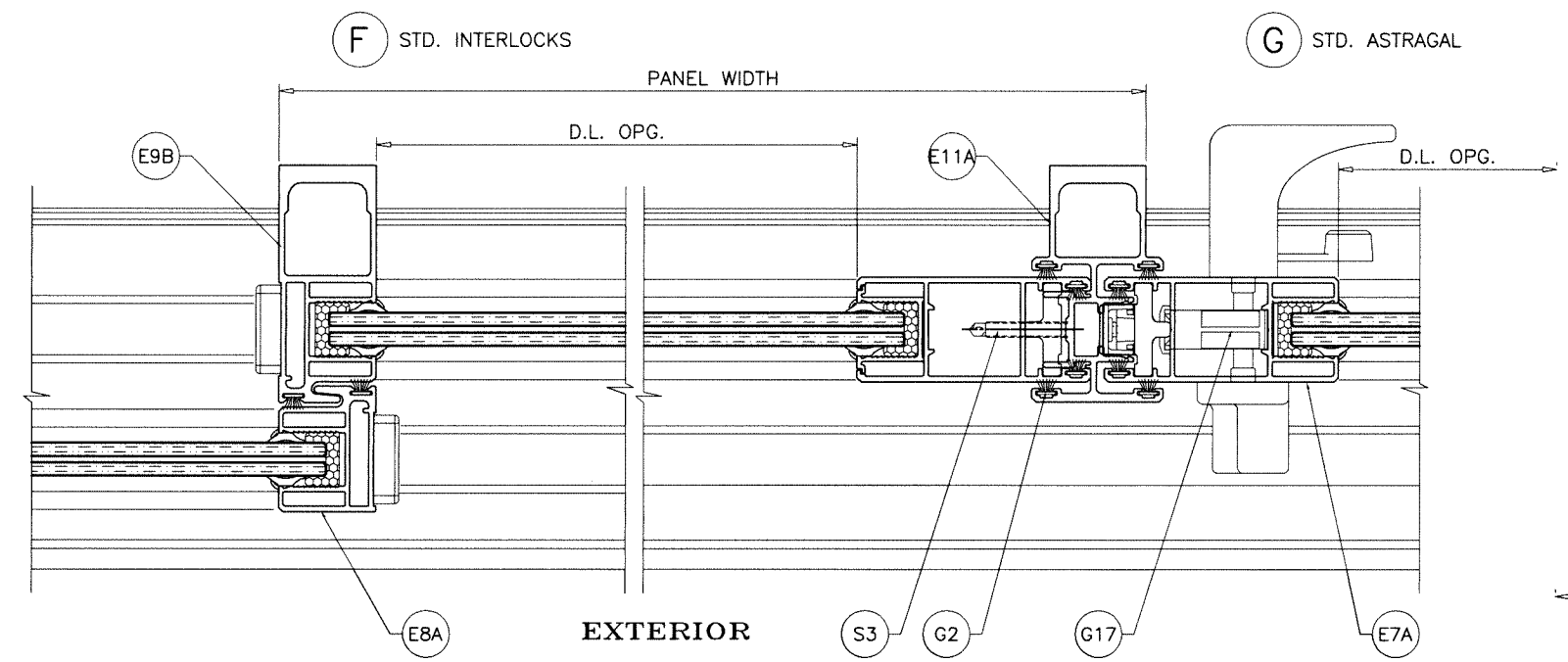
MG-1500 ALUM SLIDING GLASS DOOR (L.M.I.)
MR-GLASS DOORS & WINDOWS MANUFACTURING, LLC
 8051 N.W. 79th Place
 Medley, FL. 33166
 Tel. (305) 764-3963 Fax. (305) 470-8285

revisions:		by description	
no	date		

date: 02-25-21
 scale: 3/8" = 1"
 dr. by: TARIO
 chk. by:
 drawing no. 21-16F
 sheet 5 of 10



1/4" MIN
3/4" MAX.
GAP
SEE NOTE
BELOW

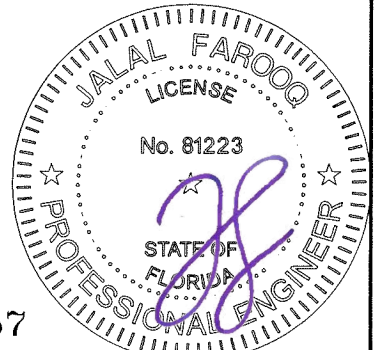


MAX. FRAME HEIGHT	GAP	
	MIN.	MAX.
84"	1/4"	3/4"
96"	5/16"	3/4"
108"	3/8"	3/4"

NOTE:
MAX. MOVEMENT CONSIDERED=100% STRETCH.
PLEASE REFER TO SEALANT MANUFACTURER'S DATA AND APPLICATION MANUAL FOR COMPATABILITY OF SEALANT TO SUBSTRATE & WINDOW WALL MATERIAL/FINISH AND COMPLIANCE FOR WARRANTY.
REFER TO ACI-117-10 FOR CONSTRUCTION TOLERANCES.
ALTERNATE SEALANTS AT JAMB GAPS CAN BE DESIGNED BY ENGINEER OF RECORD BASED ON MANUFACTURER GUIDE LINES.
GAPS LESS THAN 1/4" MAY BE DESIGNED BY ENGINEER OF RECORD BY THE USE OF BOND BREAKER TAPE OR 15% OF GAP ALLOWED MOVEMENT.

Sealed: 7/21/2023

FL #38057



af c
AL-FAROOQ CORPORATION
ENGINEERS & PRODUCT DEVELOPMENT
9360 SUNSET DRIVE, SUITE 220
MIAMI, FLORIDA 33173
TEL. (305) 264-8100 FAX. (305) 262-6978
C.A.N. 3538

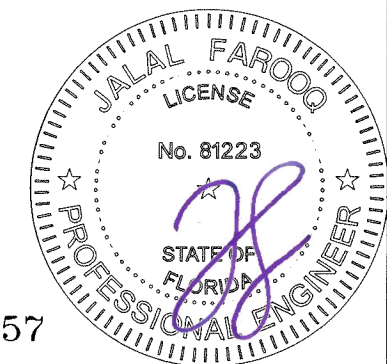
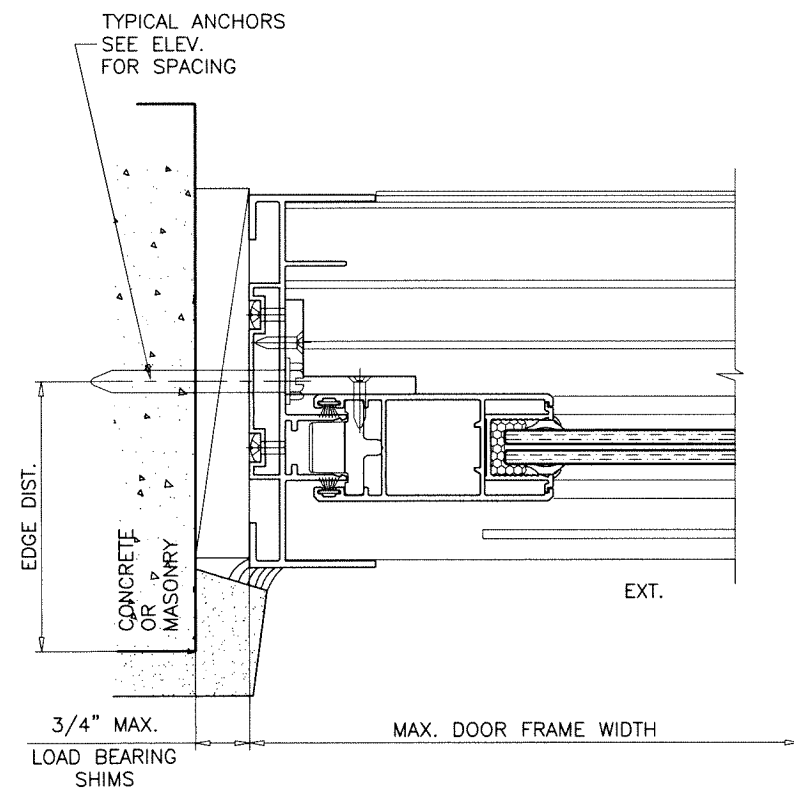
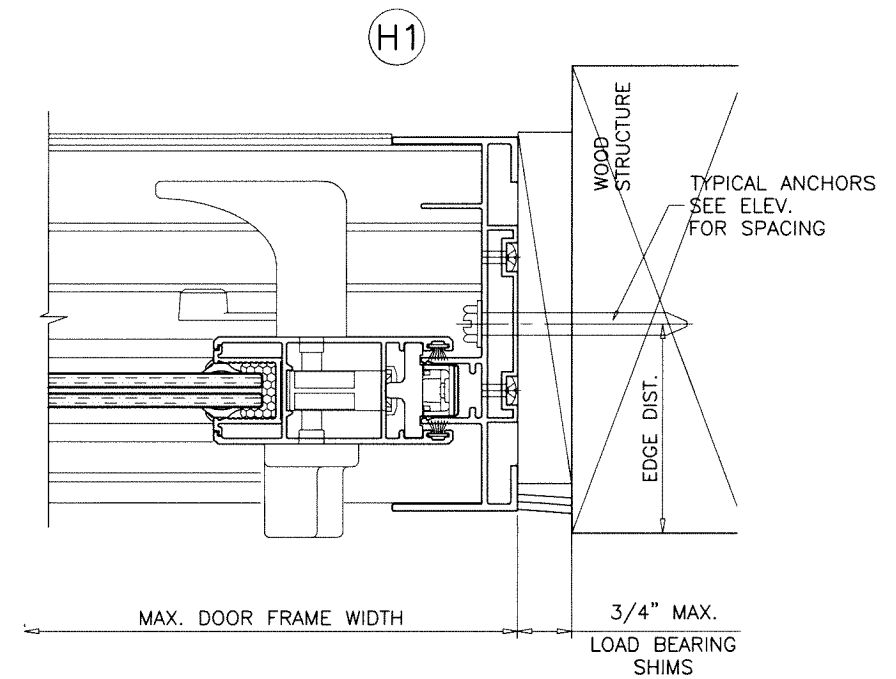
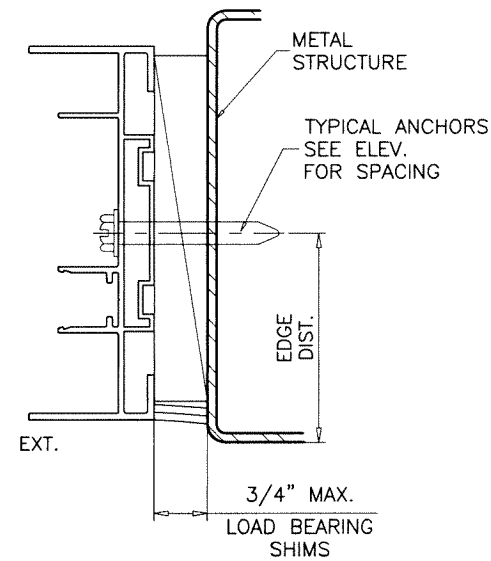
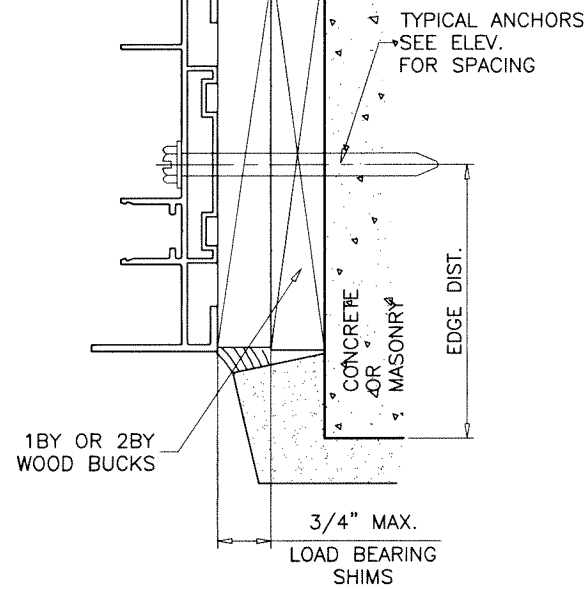
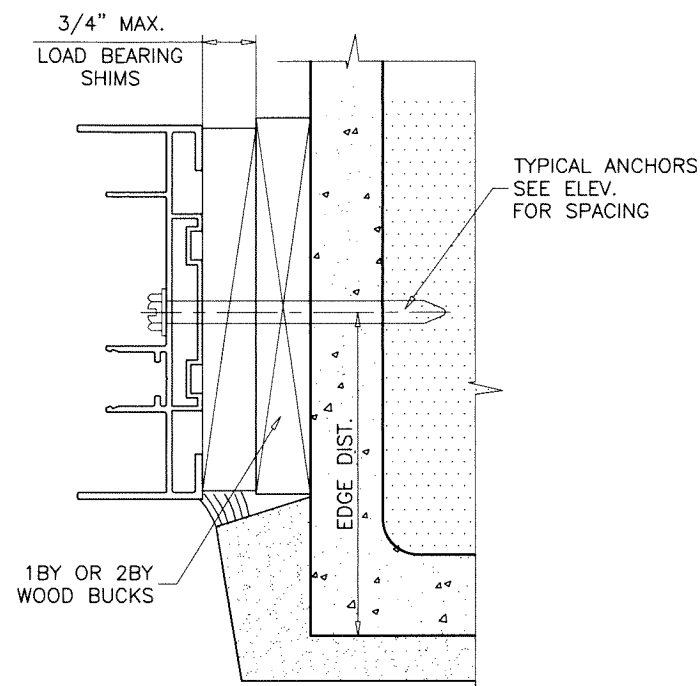
MG-1500 ALUM SLIDING GLASS DOOR (L.M.I.)
MR-GLASS DOORS & WINDOWS MANUFACTURING, LLC
8051 N.W. 79th Place
Medley, FL. 33166
Tel. (305) 764-3963 Fax. (305) 470-8285

revisions:

no	date	description

date: 02-25-21
scale: 3/8" = 1"
dr. by: TARIQ
chk. by:
drawing no.
21-16F
sheet 6 of 10

COMP-ANL \ 21-16F-MG



Sealed: 7/21/2023

FL #38057

afc

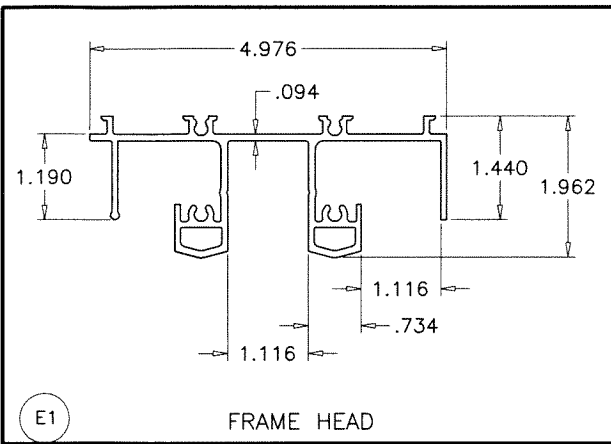
AL-FAROOQ CORPORATION
 ENGINEERS & PRODUCT DEVELOPMENT
 9360 SUNSET DRIVE, SUITE 220
 MIAMI, FLORIDA 33173 (C.A.N. 3538)
 TEL. (305) 264-8100 FAX. (305) 262-6978
 COMP-ANL 21-16F-MG

MG-1500 ALUM SLIDING GLASS DOOR (L.M.I.)
MR-GLASS DOORS & WINDOWS MANUFACTURING, LLC
 8051 N.W. 79th Place
 Medley, FL. 33166
 Tel. (305) 764-3963 Fax. (305) 470-8285

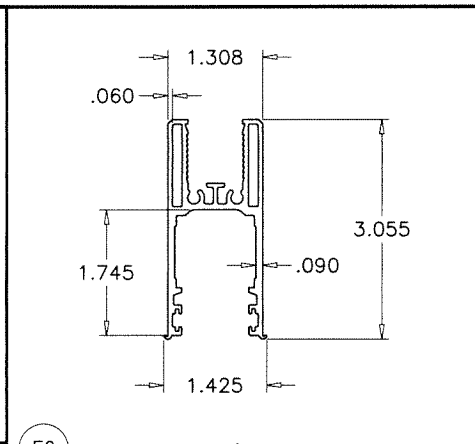
revisions:	
no	date by description

date: 02-25-21
 scale: 3/8" = 1"
 dr. by: TARIQ
 chk. by:

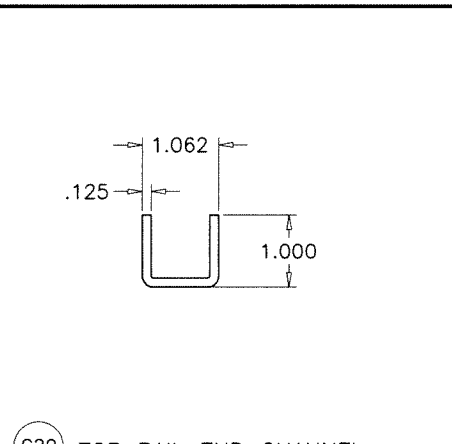
drawing no.
21-16F
 sheet 7 of 10



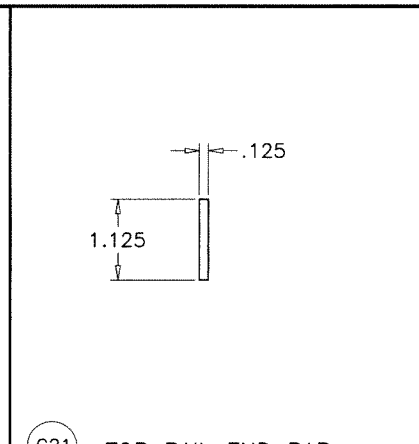
E1 FRAME HEAD



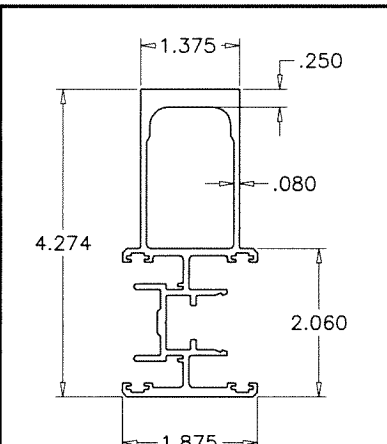
E6 PANEL TOP/BOTTOM RAIL



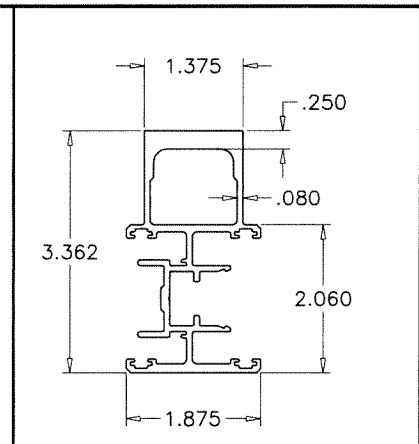
G20 TOP RAIL END CHANNEL



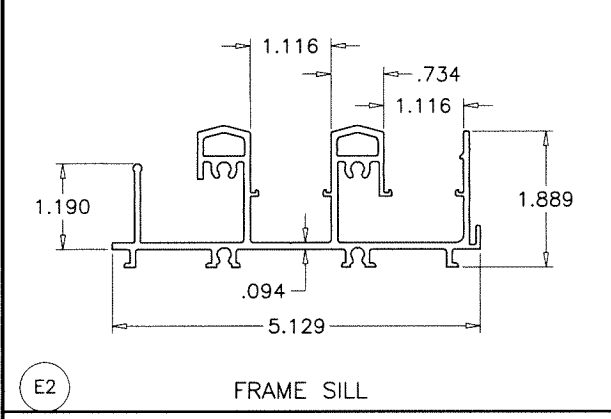
G21 TOP RAIL END BAR



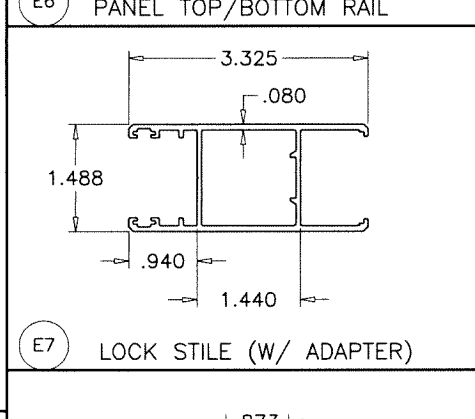
E11 H.D. ASTRAGAL STILE



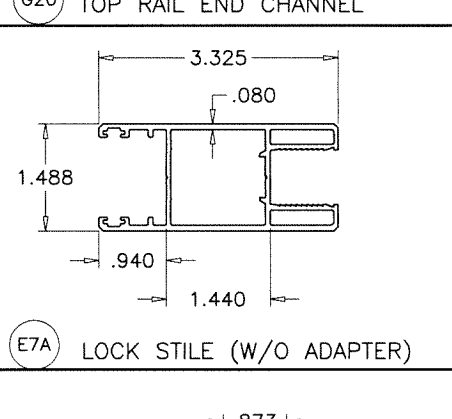
E11A STD. ASTRAGAL STILE



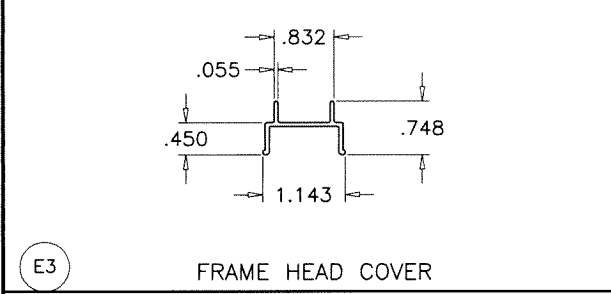
E2 FRAME SILL



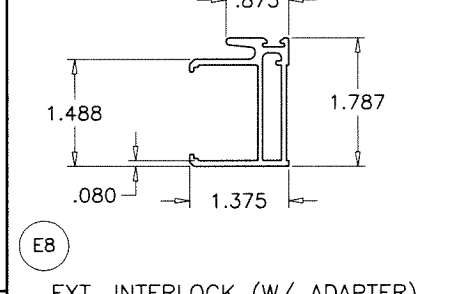
E7 LOCK STILE (W/ ADAPTER)



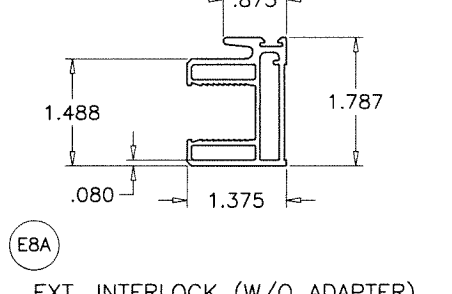
E7A LOCK STILE (W/O ADAPTER)



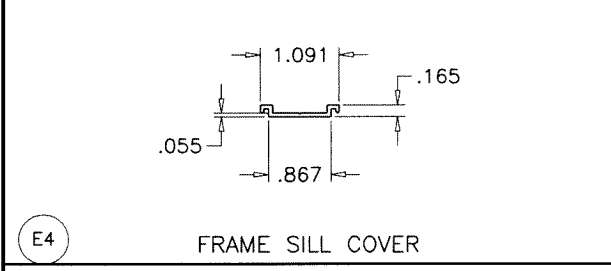
E3 FRAME HEAD COVER



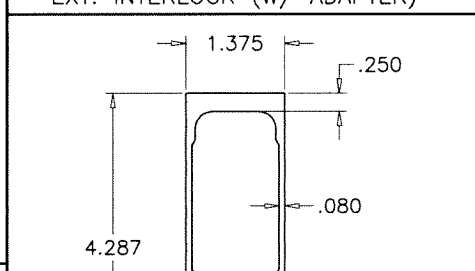
E8 EXT. INTERLOCK (W/ ADAPTER)



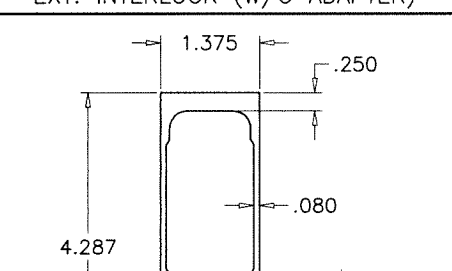
E8A EXT. INTERLOCK (W/O ADAPTER)



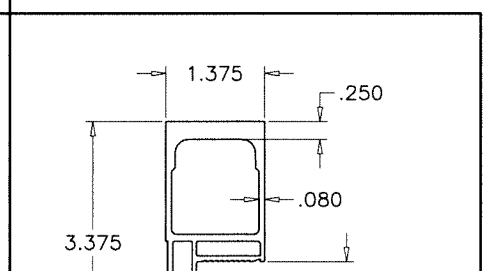
E4 FRAME SILL COVER



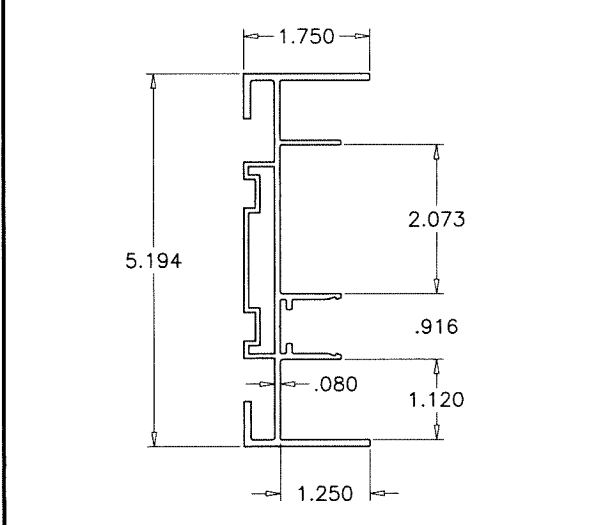
E9 H.D. INT. INTERLOCK (W/ ADAPTER)



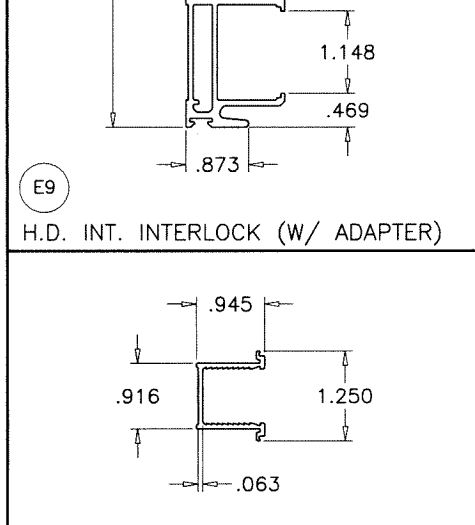
E9A H.D. INT. INTERLOCK (W/O ADAPTER)



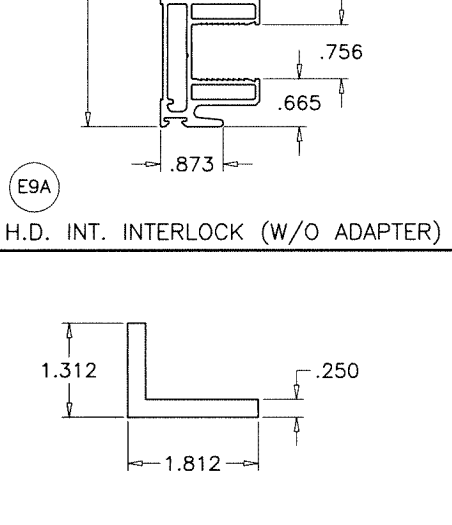
E9B STD. INT. INTERLOCK (W/O ADAPTER)



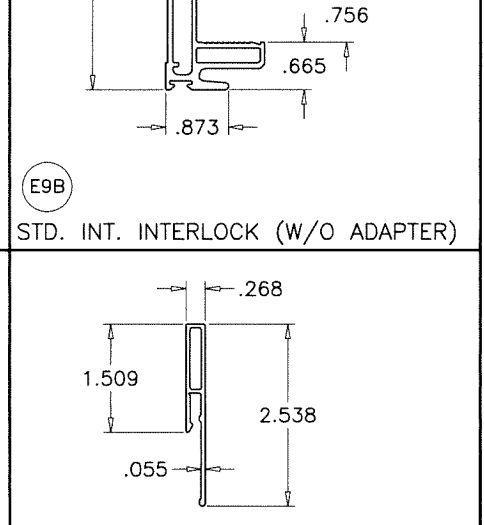
E5 FRAME JAMB



E10 GLASS ADAPTER



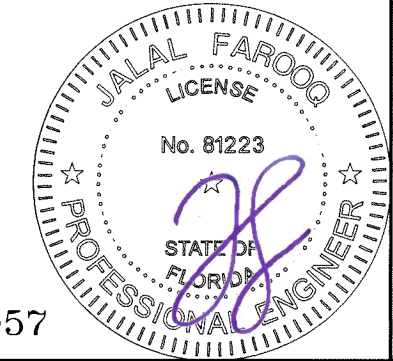
G22 FIX. PANEL CLIP



E12 SILL RISER

Sealed: 7/21/2023

FL #38057



af c
AL-FAROOQ CORPORATION
 ENGINEERS & PRODUCT DEVELOPMENT
 9360 SUNSET DRIVE, SUITE 220
 MIAMI, FLORIDA 33173 (C.A.N. 3538)
 TEL. (305) 264-8100 FAX. (305) 262-6978
 COMP-ANL\21-16F-MG

MG-1500 ALUM SLIDING GLASS DOOR (L.M.I.)
MR-GLASS DOORS & WINDOWS MANUFACTURING, LLC
 8051 N.W. 79th Place
 Medley, FL. 33166
 Tel. (305) 764-3963 Fax. (305) 470-8285

revisions:	no	date	by	description

date: 02-25-21
 scale: 3/8" = 1"
 dr. by: TARIQ
 ch. by:
 drawing no.
21-16F
 sheet 8 of 10

ITEM #	PART #	QUANTITY	DESCRIPTION	MATERIAL	MANF./SUPPLIER/REMARKS
E1	E1503	1	FRAME HEAD	6063-T6	-
E2	E1501	1	FRAME SILL	6063-T6	-
E3	E1522	AS REQD.	FRAME HEAD COVER	6063-T5	OPTIONAL
E4	E1520	AS REQD.	FRAME SILL COVER	6063-T5	OPTIONAL
E5	E1502	2	FRAME JAMB	6063-T6	-
E6	E1510	2/ PANEL	PANEL TOP/BOTTOM RAIL	6063-T6	-
E7	E1511	AS REQD.	LOCK STILE (WITH GLASS ADAPTER)	6063-T6	-
E7A	E1511A	AS REQD.	LOCK STILE (WITHOUT GLASS ADAPTER)	6063-T6	-
E8	E1512	AS REQD.	EXTERIOR INTERLOCK (WITH GLASS ADAPTER)	6063-T6	-
E8A	E1512A	AS REQD.	EXTERIOR INTERLOCK (WITHOUT GLASS ADAPTER)	6063-T6	-
E9	E1513	AS REQD.	H.D. INTERIOR INTERLOCK (WITH GLASS ADAPTER)	6063-T6	-
E9A	E1513A	AS REQD.	H.D. INTERIOR INTERLOCK (WITHOUT GLASS ADAPTER)	6063-T6	-
E9B	E1515A	AS REQD.	STD. INTERIOR INTERLOCK (WITHOUT GLASS ADAPTER)	6063-T6	-
E10	E1517	AS REQD.	GLASS ADAPTER	6063-T6	-
E11	E1514	AS REQD.	H.D. ASTRAGAL STILE	6063-T6	-
E11A	E1516	AS REQD.	STD. ASTRAGAL STILE	6063-T6	-
E12	E1521	AS REQD.	SILL RISER	6063-T5	-
G1	G15-01L	AS REQD.	WEDGE GASKET	EPDM	DUROMETER 65±5 SHORE A
G2	G15-02	AS REQD.	PILE W'STRIPPING	POLYETHYLENE/YARN	-
G3	G15-12	AS REQD.	BALL VALVE	-	-
G4	G15-12	AS REQD.	HOLE PLUG	PVC	-
G5	G15-15	AS REQD.	GASKET	NEOPRENE	-
G6	M10-05	AS REQD.	EXTERIOR BUMPER	-	-
G7	M15-01	AS REQD.	LOCK STILE COVER	POLYAMIDE	-
G8	M15-02	AS REQD.	-	-	-
G9	M15-03	AS REQD.	LOCK STILE GUIDE	POLYAMIDE	-
G10	-	AS REQD.	PANEL BUMPER	NEOPRENE	-
G11	M15-04	AS REQD.	INTERLOCK COVER	POLYAMIDE	-
G12	M15-05	AS REQD.	INTERLOCK COVER	POLYAMIDE	-
G13	M15-06	AS REQD.	INTERLOCK COVER/GUIDE	POLYAMIDE	-
G14	M15-07	AS REQD.	INTERLOCK CAP	POLYAMIDE	-
G15	M15-09	AS REQD.	ASTRAGAL CAP	POLYAMIDE	-
G16	M15-11	AS REQD.	ASTRAGAL COVER	POLYAMIDE	-
G17	L15-01	-	2 POINT MORTISE LOCK & HANDLE	ZAMAK	INTERLOCK
G18	M15-20	2/ MOV. PANEL	ROLLER ASSEMBLY AT 9" FROM ENDS	ST. STEEL/ACETAL	FASTENED WITH (2) 12-24 X 3/4" PH MS
G19	-	AS REQD.	SETTING BLOCKS	EPDM	DUROMETER 80±5 SHORE A
G20	-	AS REQD.	TOP RAIL END CHANNEL, 4" LONG AT PANEL ENDS	6063-T6	-
G21	-	AS REQD.	TOP RAIL END BAR, 4" LONG AT PANEL ENDS	6063-T6	-
G22	-	2/ FIX. PANEL	FIXED PANEL CLIP, 1-7/8" LONG, AT 4" FROM TOP & BOTTOM	6063-T6	-
S1	#12 X 1 1/2"	4/ CORNER	FRAME ASSEMBLY FASTENERS	ST. STEEL	PH SDS
S2	#10 X 1 1/2"	4/ CORNER	PANEL ASSEMBLY FASTENERS	ST. STEEL	PH SDS
S3	#12 X 1 1/2"	AS REQD.	ASTRAGAL FASTENERS, AT 3-1/2" FROM ENDS & 8" O.C.	ST. STEEL	FH SDS
S4	#10 X 1"	AS REQD.	BALL VALVE FASTENERS	ST. STEEL	PH SMS
S5	#10 X 1"	2/ CLIP	FIX. CLIP FASTENERS	ST. STEEL	FH SMS

SEALANT:

ALL JOINTS AND FRAME CONNECTIONS SEALED WITH WHITE/ALUMINUM COLORED SILICONE.

LOCKS:

SURFACE MOUNT METALLIC THREE PLY DUAL HOOK LOCK AT 38-1/2" FROM BOTTOM FASTENED TO LOCK STILE WITH (2) 10-24 X 1/2" FH TC MS

SURFACE MOUNT METALLIC HANDLE AT 38-1/2" FROM BOTTOM FASTENED TO LOCK STILE WITH (2) 8-32 X 2-5/8" FH MS

SURFACE MOUNT METALLIC KEEPER FACING LOCK AT 38 1/2" FROM BOTTOM FASTENED WITH (1) #14 X 2-7/8" FH SDS AND (1) 12-24 X 1/2" PH MS

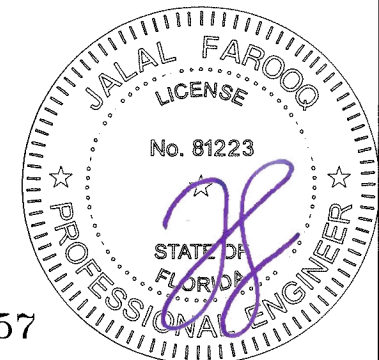
af c
AL-FAROOQ CORPORATION
 ENGINEERS & PRODUCT DEVELOPMENT
 9360 SUNSET DRIVE, SUITE 220 (C.A.N. 3538)
 MIAMI, FLORIDA 33173
 TEL. (305) 264-8100 FAX. (305) 262-6978
 COMP-ANL\21-16F-MG

MG-1500 ALUM SLIDING GLASS DOOR (L.M.I.)
MR-GLASS DOORS & WINDOWS MANUFACTURING, LLC
 8051 N.W. 79th Place
 Medley, FL. 33166
 Tel. (305) 764-3963 Fax. (305) 470-8285

revisions:	no	date	by	description

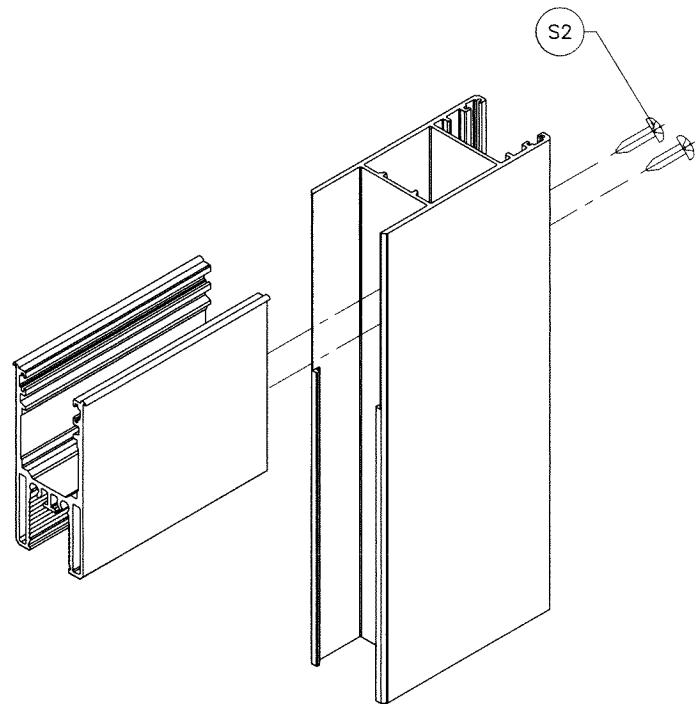
date: 02-25-21
 scale: 3/8" = 1"
 dr. by: TARIQ
 chk. by:

drawing no.
21-16F
 sheet 9 of 10

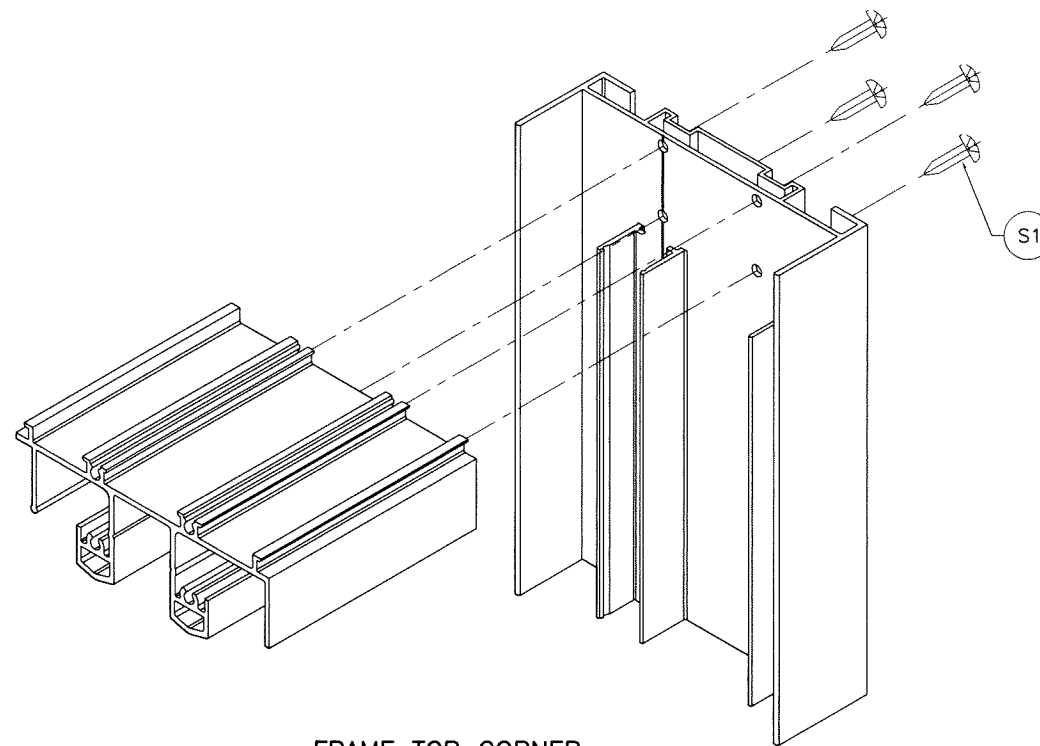


Sealed: 7/21/2023

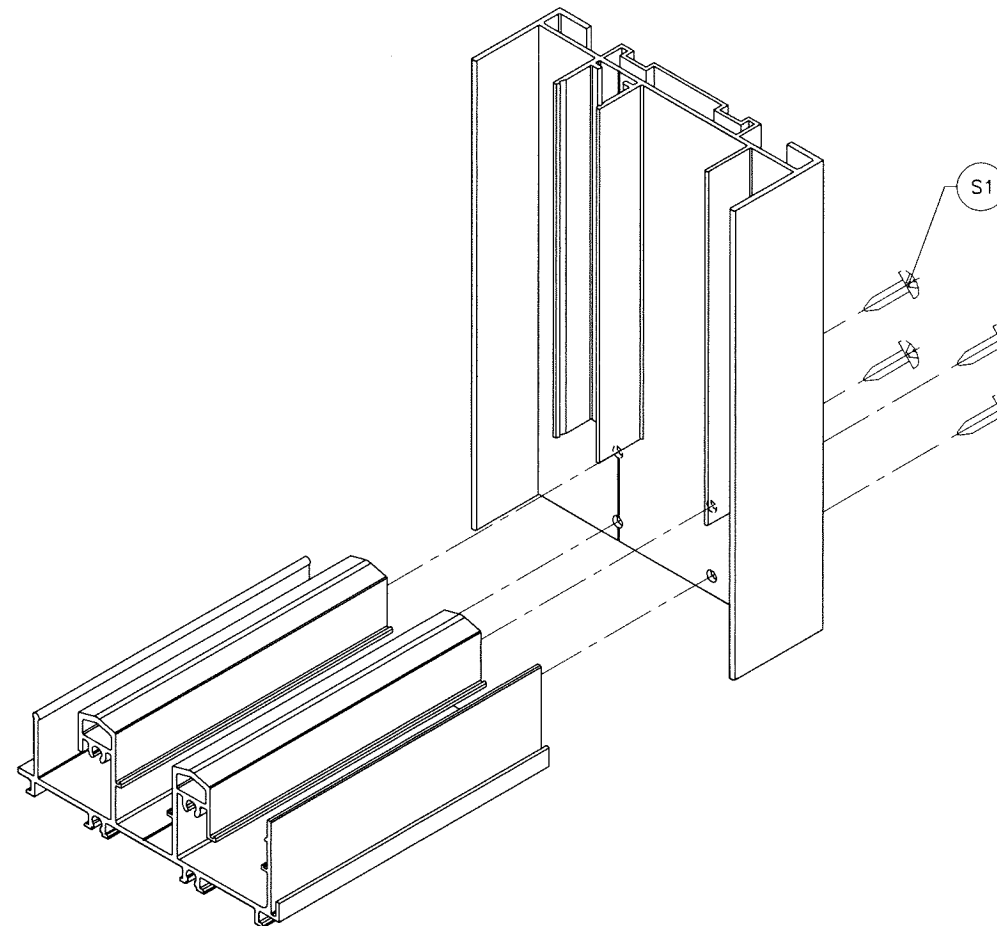
FL #38057



PANEL TOP/BOTTOM CORNER



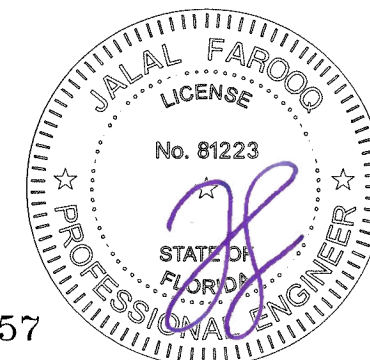
FRAME TOP CORNER




FRAME BOTTOM CORNER

Sealed: 7/21/2023

FL #38057





AL-FAROOQ CORPORATION
 ENGINEERS & PRODUCT DEVELOPMENT
 9360 SUNSET DRIVE, SUITE 220
 MIAMI, FLORIDA 33173 (C.A.N. 3538)
 TEL. (305) 264-8100 FAX. (305) 262-6978
 COMP-ANL\21-16F-MG

MG-1500 ALUM SLIDING GLASS DOOR (L.M.I.)
MR-GLASS DOORS & WINDOWS MANUFACTURING, LLC
 8051 N.W. 79th Place
 Medley, FL. 33166
 Tel. (305) 764-3963 Fax. (305) 470-8285

revisions:	
no	date by description

date: 02-25-21
 scale: 3/8" = 1"
 dr. by: TARIQ
 chk. by:

drawing no.
21-16F

sheet 10 of 10