



[DBPR HOME](#) | [ABOUT DBPR](#) | [DBPR DIVISIONS](#) | [CONTACT DBPR](#)

[BCIS Home](#) | [Log In](#) | [User Registration](#) | [Hot Topics](#) | [Submit Surcharge](#) | [Stats & Facts](#) | [Publications](#) | [Contact Us](#) | [BCIS Site Map](#) | [Links](#) | [Search](#)

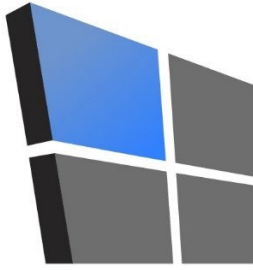


Product Approval
USER: Public User

[Product Approval Menu](#) > [Product or Application Search](#) > [Application List](#) > **Application Detail**

OFFICE OF THE SECRETARY

FL #	FL39859-R1
Application Type	Revision
Code Version	2023
Application Status	Approved
Comments	
Archived	<input type="checkbox"/>
Product Manufacturer	Mr-Glass Doors & Windows Manufacturing, LLC
Address/Phone/Email	8051 NW 79th Place Medley, FL 33166 (305) 470-8284 ulises@mrglasswindows.com
Authorized Signature	Ulises Senaris ulises@mrglasswindows.com
Technical Representative	Augusto Arias
Address/Phone/Email	8120 NW 84th St Medley, FL 33166 (305) 470-8284 aarias@mrglasswindows.com
Quality Assurance Representative	
Address/Phone/Email	
Category	Panel Walls
Subcategory	Wall Louver
Compliance Method	Evaluation Report from a Florida Registered Architect or a Licensed Florida Professional Engineer <input type="checkbox"/> Evaluation Report - Hardcopy Received
Florida Engineer or Architect Name who developed the Evaluation Report	Jalal Farooq
Florida License	PE-81223
Quality Assurance Entity	Keystone Certifications, Inc.
Quality Assurance Contract Expiration Date	08/27/2025
Validated By	Abel Carrasco, PE <input checked="" type="checkbox"/> Validation Checklist - Hardcopy Received
Certificate of Independence	FL39859_R1_COI_SS - Certificate of Independence 2023.pdf
Referenced Standard and Year (of Standard)	Standard TAS 201/203 1994 TAS 202 1994
Equivalence of Product Standards Certified By	
Sections from the Code	



AL-FAROOQ CORPORATION

CONSULTING ENGINEERS & PRODUCT DEVELOPMENT

January 23, 2023

Product Approval Administrator
Building Codes & Standards Section
Department of Business & Professional Regulations
1940 North Monroe Street, Suite 90
Tallahassee, FL 32399-2100

To whom it may concern,

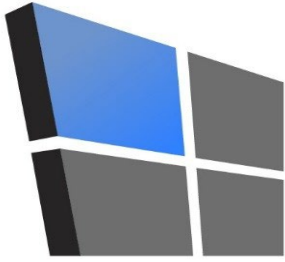
As the design engineer retained to prepare the product approval(s) associated with this letter as shown below on this same web page, I do hereby declare that I do not have and will not have any financial interest in any company manufacturing or distributing the referenced product(s), nor do I have or will have any financial interest with any other entity involved in the approval process of the referenced product(s).

Sincerely,



Jalal Farooq, P.E.
CFO

Sealed: 1/23/2023



AL-FAROOQ CORPORATION

CONSULTING ENGINEERS & PRODUCT DEVELOPMENT

PRODUCT APPROVAL EVALUATION RULE CHAPTER #61G20-3 • METHOD 1 OPTION D

FL 39859

Date: 07/20/2023

Detailed Product Description:

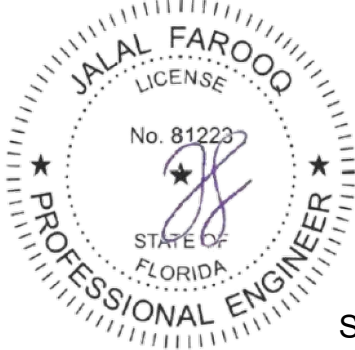
Manufacturer: MR-GLASS DOORS & WINDOWS MANUFACTURING, LLC.

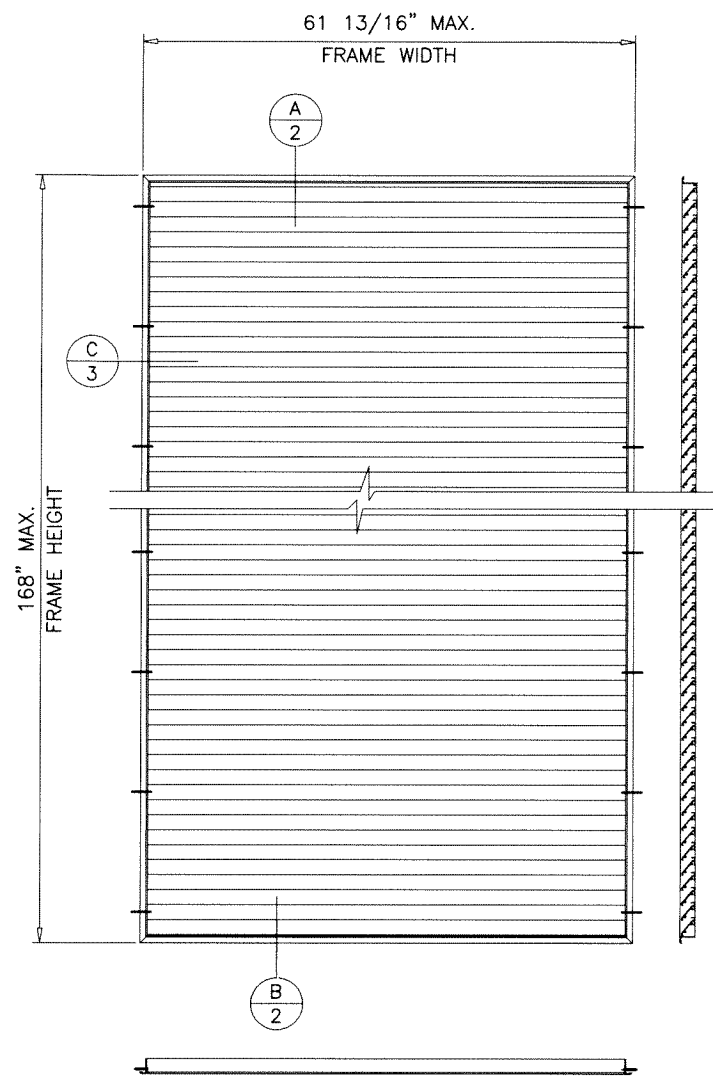
Manufacturer Address: 8051 NW 79th PLACE, MEDLEY, FL 33166

Model Name: SERIES MG450 ALUMINUM LOUVER SYSTEM

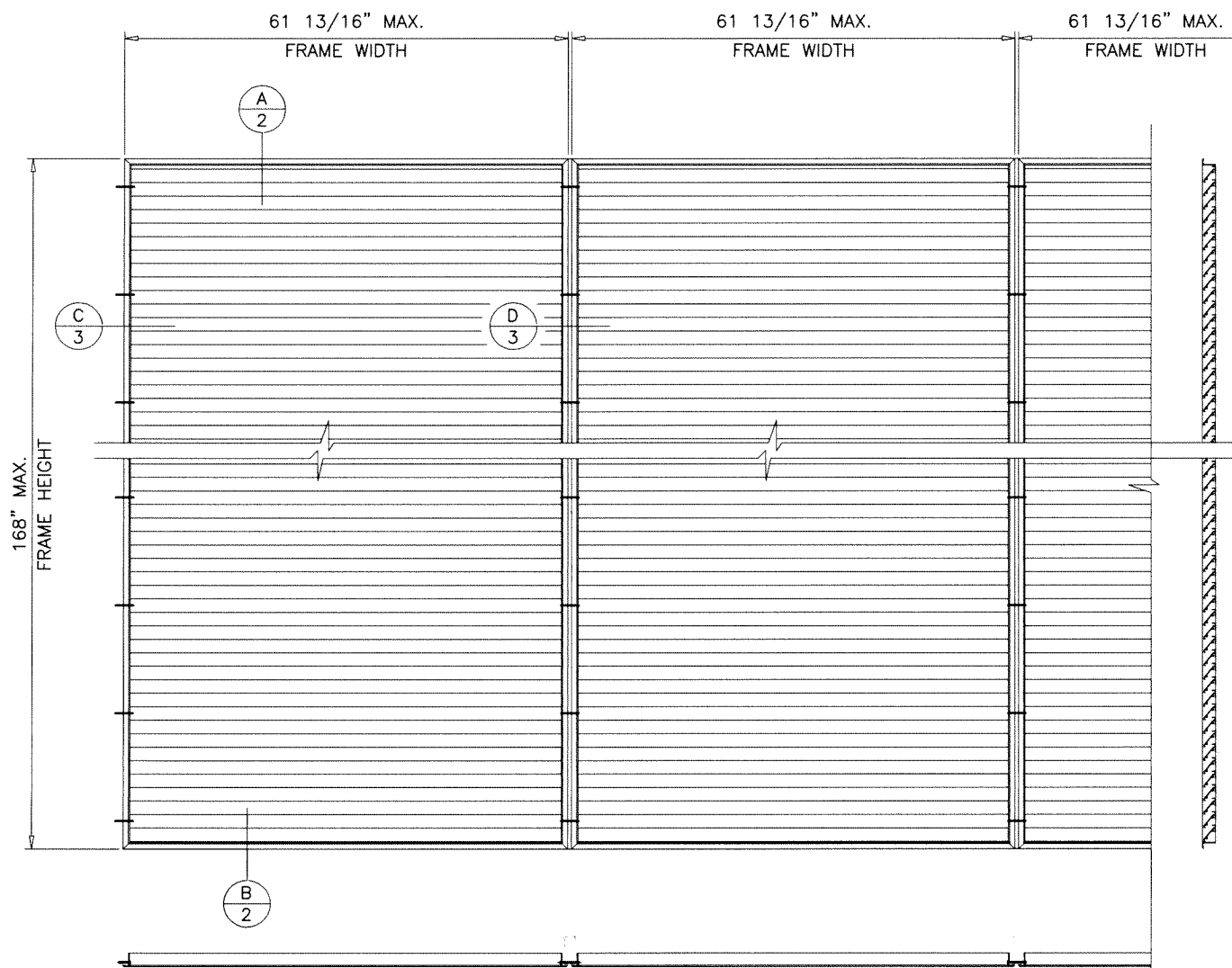
Maximum Load: +80 PSF, -80 PSF (Large Missile Impact)

Installation Drawings # 21-64F

This product complies with the High Velocity Hurricane Zone (HVHZ) testing requirements.					
For maximum sizes, combination of span vs loads and anchor type refer to installation drawings.					
Comparative analysis used <input checked="" type="checkbox"/> Yes <input type="checkbox"/> No					
Mandatory Tests (Tested in accordance with TAS 202)					
Test	Description	Test Location	Test Report Date	Test Report #	Test Sealed By
ASTM E330 & TAS 202	Uniform Static Air Pressure	Hurricane Engineering & Testing Inc.	8/4/2021	HETI-21-7054	Rafael E. Droz-Seda, PE
Supplemental Tests (Tested in accordance with TAS-201 and TAS-203)					
Test	Description	Test Location	Test Report Date	Test Report#	Test Sealed By
FBC 1626.2 TAS 201 & 203 ASTME1886/1996	Large Missile Impact & Cyclic	Hurricane Engineering & Testing Inc.	8/4/2021	HETI-21-7054	Rafael E. Droz-Seda, PE
Under the limitations of the attached installation drawings, to the best of my knowledge and ability, the above product conforms to the requirements of the 2023 Florida Building Code.					
Evaluation Report Engineer:					
Jalal Farooq Al-Farooq Corporation		PE # 81223 EB # 3538			
			Sealed: 7/21/2023		

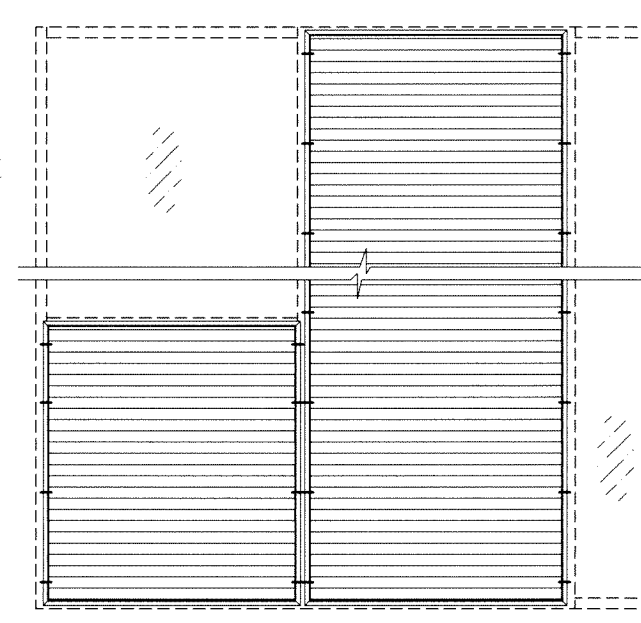


SINGLE UNIT



MULTIPLE UNITS

TYPICAL ELEVATIONS



LOUVERS CAN ALSO BE INSTALLED IN FBC APPROVED WINDOW WALL, DOOR AND WINDOW FRAMES. FOR APPROVED PRODUCTS CAPACITY AND LIMITATIONS SEE SEPARATE APPROVALS. FOR LOUVER CAPACITY SEE BELOW. LOWER VALUES FROM APPROVED PRODUCTS AND LOUVER CAPACITY SHALL APPLY.

MAX. DESIGN LOAD RATING	
FRAME WIDTH	LOAD CAPACITY
59- 1/2" MAX.	80.0 PSF
61-13/16" MAX.	73.8 PSF

INTERPOLATION BETWEEN WIDTHS ALLOWED

SERIES MG-450 ALUMINUM LOUVER SYSTEM

THIS PRODUCT HAS BEEN DESIGNED AND TESTED TO COMPLY WITH THE REQUIREMENTS OF THE 2020 (7TH EDITION)/2023 (8TH EDITION) FLORIDA BUILDING CODE INCLUDING HIGH VELOCITY HURRICANE ZONE (HVHZ).

ANCHORS SHALL BE CORROSION RESISTANT, SPACED AS SHOWN ON DETAILS AND INSTALLED PER MANUF'S INSTRUCTIONS. SPECIFIED EMBEDMENT TO BASE MATERIAL SHALL BE BEYOND WALL DRESSING OR STUCCO.

ALL SHIMS TO BE HIGH IMPACT, NON-METALLIC AND NON-COMPRESSIBLE.

MATERIALS INCLUDING BUT NOT LIMITED TO STEEL/METAL SCREWS, THAT COME INTO CONTACT WITH OTHER DISSIMILAR MATERIALS SHALL MEET THE REQUIREMENTS OF THE 2020/2023 FLORIDA BLDG. CODE & ADOPTED STANDARDS.

THIS PRODUCT APPROVAL IS GENERIC AND DOES NOT PROVIDE INFORMATION FOR A SITE SPECIFIC PROJECT, i.e. LIFE SAFETY OF THIS PRODUCT, ADEQUACY OF STRUCTURE RECEIVING THIS PRODUCT AND SEALING AROUND OPENING FOR WATER INFILTRATION RESISTANCE ETC.

CONDITIONS NOT SHOWN IN THIS DRAWING ARE TO BE ANALYZED SEPARATELY, AND TO BE REVIEWED BY BUILDING OFFICIAL.

DESIGN LOADS SHOWN ARE BASED ON 'ALLOWABLE STRESS DESIGN (ASD)'.

MANUFACTURER'S LABEL SHALL BE LOCATED ON A READILY VISIBLE LOCATION IN ACCORDANCE WITH SECTION 1709.9.3 OF FLORIDA BUILDING CODE. LABELING TO COMPLY WITH SECTION 1709.9.2.

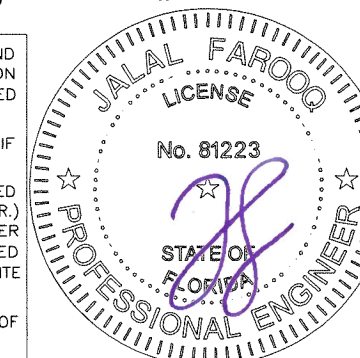
LOUVER SYSTEM IS TO BE INSTALLED IN LOCATIONS WHERE THE ROOM BEHIND LOUVER IS DESIGNED TO DRAIN WATER PENETRATING INTO THE ROOM. THE ROOM WILL HOUSE WATER RESISTANT/WATER PROOF EQUIPMENT, COMPONENTS OR SUPPLIES.

THIS SYSTEM IS RATED FOR LARGE & SMALL MISSILE IMPACT. SHUTTERS ARE NOT REQUIRED.

Sealed: 7/21/2023

FL #39859

- A- CONTRACTOR TO BE RESPONSIBLE FOR THE SELECTION, PURCHASE AND INSTALLATION OF THIS PRODUCT BASED ON THIS PRODUCT EVALUATION PROVIDED HE/SHE DOES NOT DEVIATE FROM THE CONDITIONS DETAILED ON THIS DOCUMENT.
- B- THIS PRODUCT EVALUATION DOCUMENT WILL BE CONSIDERED INVALID IF ALTERED BY ANY MEANS.
- C- SITE SPECIFIC PROJECTS SHALL BE PREPARED BY A FLORIDA REGISTERED ENGINEER OR ARCHITECT WHICH WILL BECOME THE ENGINEER OF RECORD (E.O.R.) FOR THE PROJECT AND WHO WILL BE RESPONSIBLE FOR THE PROPER USE OF THE P.E.D. ENGINEER OF RECORD, ACTING AS A DELEGATED ENGINEER TO THE P.E.D. ENGINEER SHALL SUBMIT TO THIS LATTER THE SITE SPECIFIC DRAWINGS FOR REVIEW.
- D- THIS P.E.D. SHALL BEAR THE DATE AND ORIGINAL SEAL AND SIGNATURE OF THE PROFESSIONAL ENGINEER OF RECORD THAT PREPARED IT.



AL-FAROOQ CORPORATION
ENGINEERS & PRODUCT DEVELOPMENT
9360 SUNSET DRIVE, SUITE 220
MIAMI, FLORIDA 33173 (C.A.N. 3538)
TEL. (305) 264-8100 FAX. (305) 262-6978

SERIES MG-450 ALUMINUM STATIONARY LOUVERS
MR-GLASS DOORS & WINDOWS MANUFACTURING, LLC
8051 N.W. 79th Place
Medley, FL. 33166
Tel. (305) 764-3963 Fax. (305) 470-8285

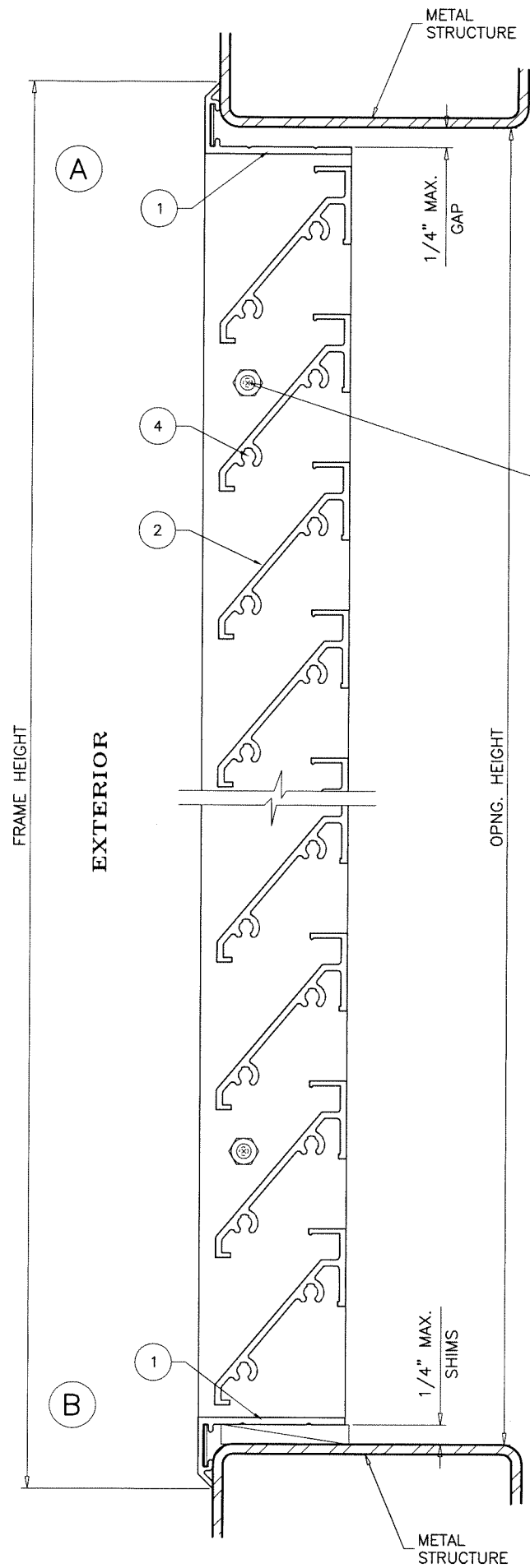
revisions:	no	date	description
	A	07.18.23	description UPDATED TO 2023 FBC

date: 09-01-21
scale: 1/2" = 1'-0"
dr. by: TARIO
chk. by:

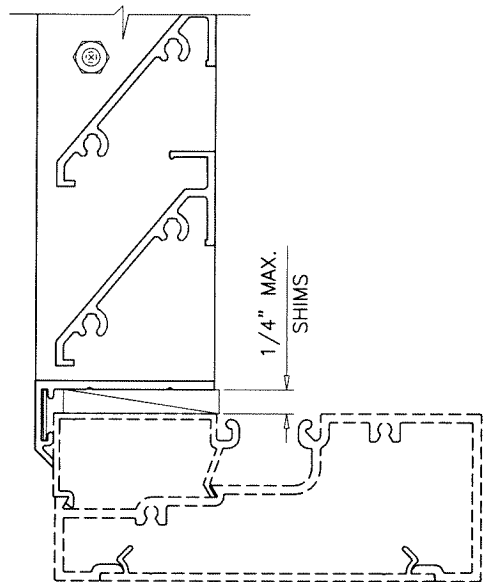
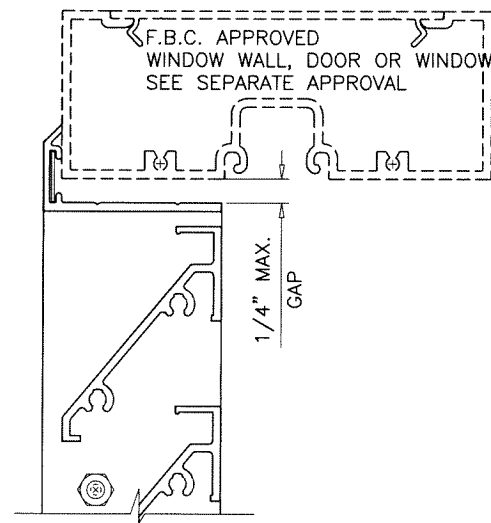
drawing no.
21-64F

sheet 1 of 4

LOUVER\21-64F-MG



JAMB ANCHORS
AT 2-3/4" FROM ENDS
AND 15" O.C.
TYP.



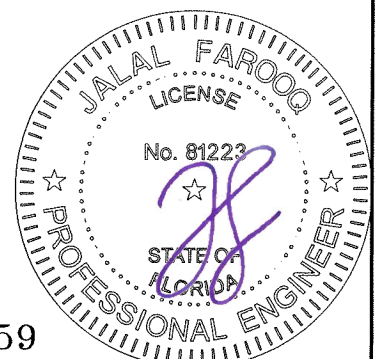
METAL STRUCTURES NOT BY 'MR-GLASS'
MUST SUPPORT LOADS IMPOSED BY LOUVER SYSTEM AND
TRANSFER THEM TO THE BUILDING STRUCTURE.

JAMB ANCHORS:
1/4" DIA. TEKS OR SELF-DRILLING SCREWS (GRADE 5 CRS)
 INTO F.B.C. APPROVED MULLIONS
 AND
 INTO METAL STRUCTURES
 (3) THREADS MIN. TO EXTEND BEYOND METAL THICKNESS
 ALUMINUM: 1/8" THK. MIN. (6063-T5 MIN.)
 .078" THK. MIN. (6063-T6)
 STEEL: 1/8" THK. MIN. (Fy = 36 KSI MIN.)
 (STEEL IN CONTACT WITH ALUMINUM TO BE PLATED OR PAINTED)

CRITICAL EDGE DISTANCE
 INTO METAL STRUCTURE = 1/2" MIN.

Sealed: 7/21/2023

FL #39859



af c

AL-FAROOQ CORPORATION
 ENGINEERS & PRODUCT DEVELOPMENT
 9360 SUNSET DRIVE, SUITE 220
 MIAMI, FLORIDA 33173 (C.A.N. 3538)
 TEL. (305) 264-8100 FAX. (305) 262-6978
 LOUVER\21-64F-MG

SERIES MG-450 ALUMINUM STATIONARY LOUVERS

MR-GLASS DOORS & WINDOWS MANUFACTURING, LLC
 8051 N.W. 79th Place
 Medley, FL. 33166
 Tel. (305) 764-3963 Fax. (305) 470-8285

revisions:	no	date	by	description

date: 09-01-21
 scale: 1/2" = 1"
 dr. by: TARIQ
 chk. by:

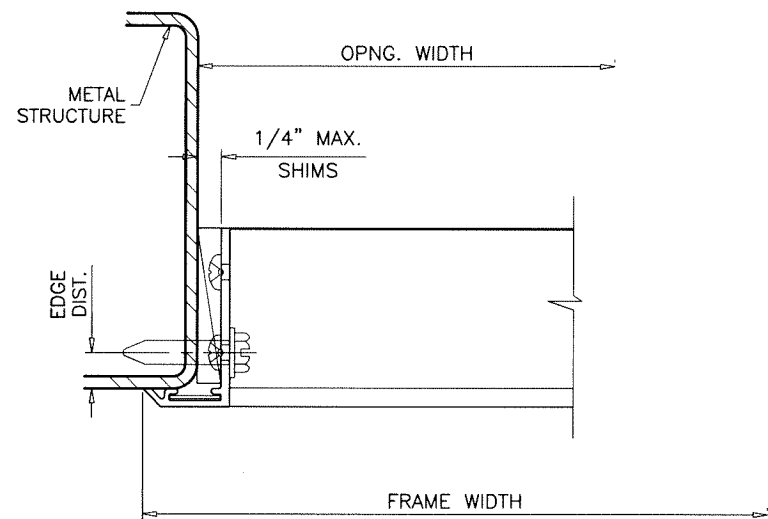
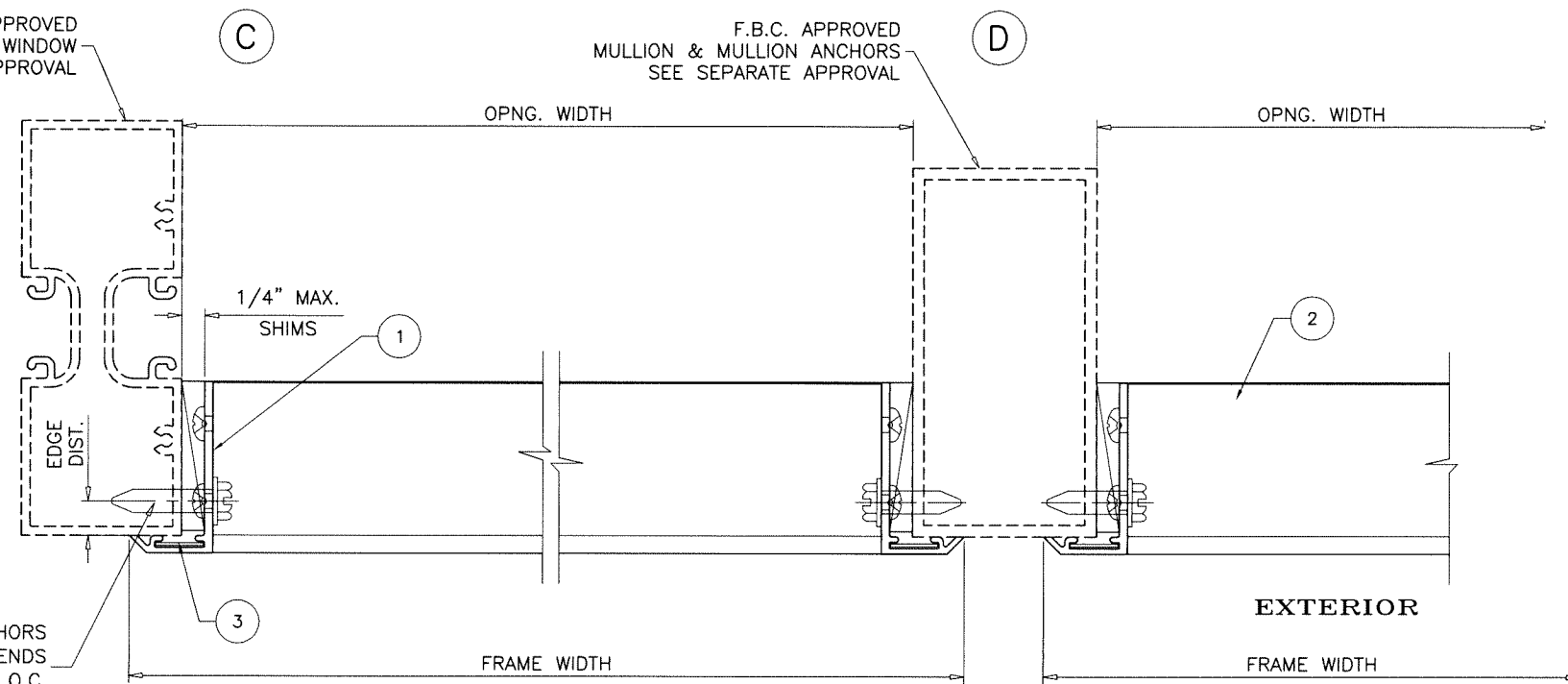
drawing no.
21-64F

sheet 2 of 4

F.B.C. APPROVED WINDOW WALL, DOOR OR WINDOW SEE SEPARATE APPROVAL

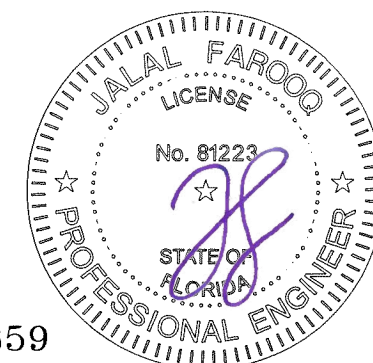
F.B.C. APPROVED MULLION & MULLION ANCHORS SEE SEPARATE APPROVAL

JAMB ANCHORS AT 2-3/4" FROM ENDS AND 15" O.C. TYP.



Sealed: 7/21/2023

FL #39859



AL-FAROOQ CORPORATION
ENGINEERS & PRODUCT DEVELOPMENT
9360 SUNSET DRIVE, SUITE 220
MIAMI, FLORIDA 33173 (C.A.N. 3538)
TEL. (305) 264-8100 FAX. (305) 262-6978

LOUVER\21-64F-MG

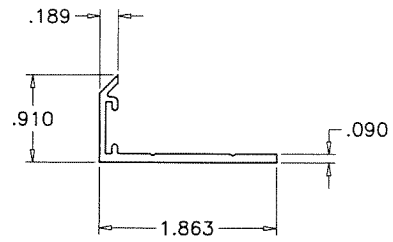
SERIES MG-450 ALUMINUM STATIONARY LOUVERS
MR-GLASS DOORS & WINDOWS MANUFACTURING, LLC
8051 N.W. 79th Place
Medley, FL. 33166
Tel. (305) 764-3963 Fax. (305) 470-8285

revisions:	
no	date by description

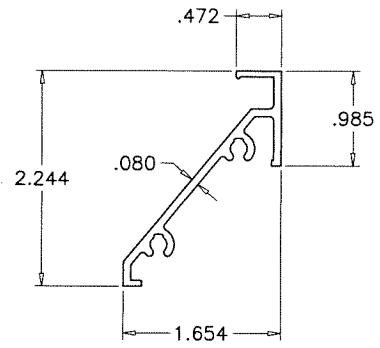
date: 09-01-21
scale: 1/2" = 1"
dr. by: TARIQ
chk. by:

drawing no.
21-64F

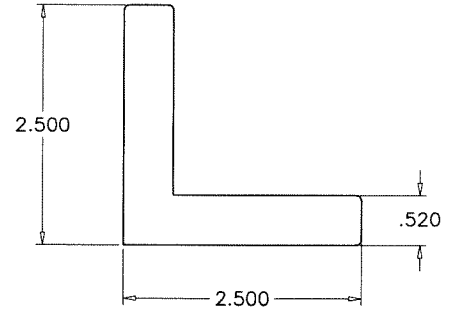
sheet 3 of 4



1 LOUVER FRAME

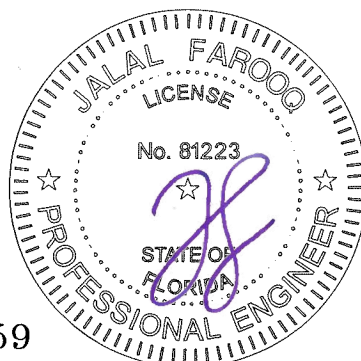
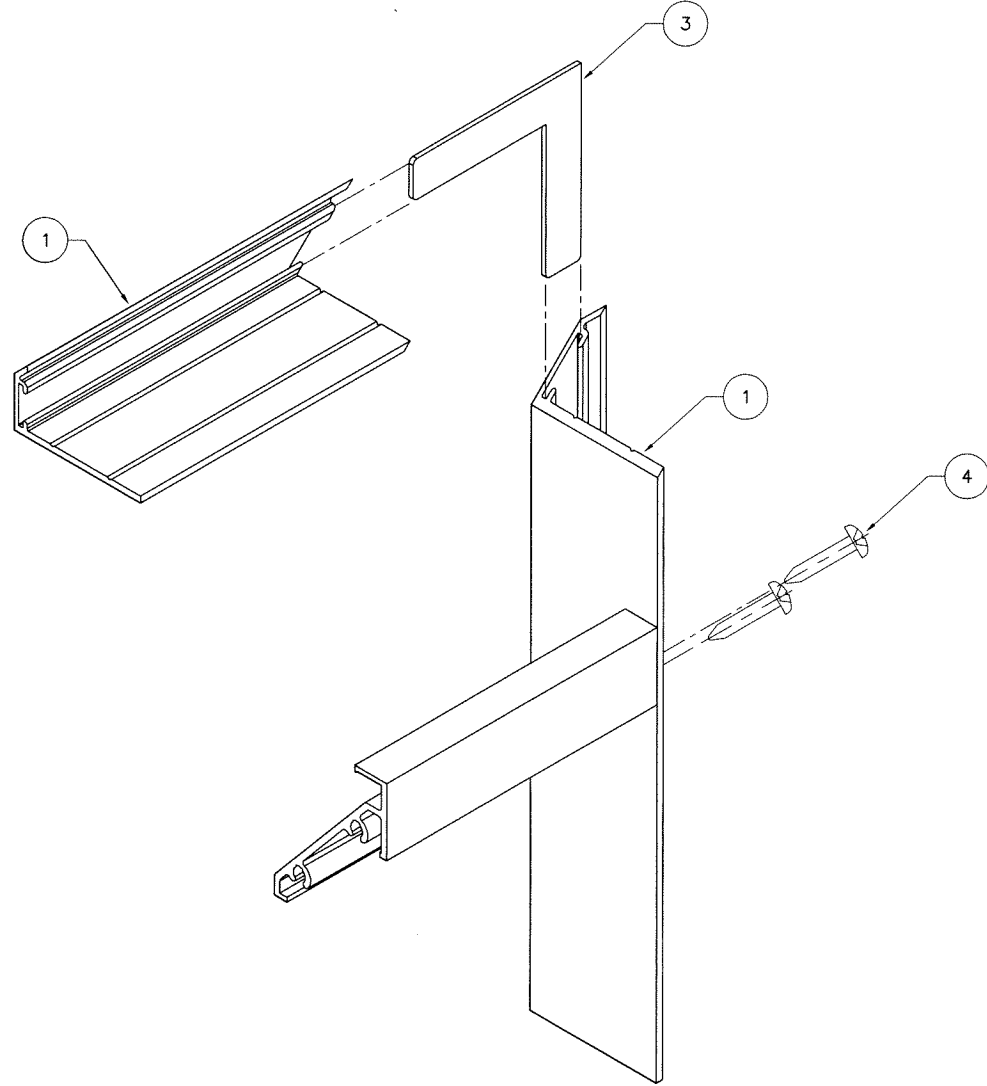


2 LOUVER BLADE



3 CORNER KEY

ITEM NO.	PART NUMBER	QUANTITY	DESCRIPTION	MATERIAL	MANF./SUPPLIER/REMARKS
1	E454	AS REQD.	LOUVER FRAME	6063-T6	-
2	E453	AS REQD.	LOUVER BLADE	6063-T6	-
3	A60-04	1/ CORNER	CORNER KEY	ST. STEEL	-
4	#10 X 1"	AS REQD.	ASSEMBLY FASTENERS	-	PH PAN HEAD SMS
5	-	-	-	-	-



Sealed: 7/21/2023

FL #39859

af c
AL-FAROOQ CORPORATION
 ENGINEERS & PRODUCT DEVELOPMENT
 9360 SUNSET DRIVE, SUITE 220
 MIAMI, FLORIDA 33173 (C.A.N. 3538)
 TEL. (305) 264-8100 FAX. (305) 262-6978
 LOUVER \ 21 - 64F - MG

SERIES MG-450 ALUMINUM STATIONARY LOUVERS
MR-GLASS DOORS & WINDOWS MANUFACTURING, LLC
 8051 N.W. 79th Place
 Medley, FL. 33166
 Tel. (305) 764-3963 Fax. (305) 470-8285

revisions:	no	date	by	description

date: 09-01-21
 scale: 1/2" = 1"
 dr. by: TARIQ
 chk. by:
 drawing no.
21-64F
 sheet 4 of 4