



[DBPR HOME](#) |
 [ABOUT DBPR](#) |
 [DBPR DIVISIONS](#) |
 [CONTACT DBPR](#)

[BCIS Home](#) |
 [Log In](#) |
 [User Registration](#) |
 [Hot Topics](#) |
 [Submit Surcharge](#) |
 [Stats & Facts](#) |
 [Publications](#) |
 [Contact Us](#) |
 [BCIS Site Map](#) |
 [Links](#) |
 [Search](#)



Product Approval
USER: Public User

[Product Approval Menu](#) >
 [Product or Application Search](#) >
 [Application List](#) >
 Application Detail

OFFICE OF THE SECRETARY

FL # Application Type Code Version Application Status Comments Archived Product Manufacturer Address/Phone/Email Authorized Signature Technical Representative Address/Phone/Email Quality Assurance Representative Address/Phone/Email Category Subcategory Compliance Method Florida Engineer or Architect Name who developed the Evaluation Report Florida License Quality Assurance Entity Quality Assurance Contract Expiration Date Validated By Certificate of Independence Referenced Standard and Year (of Standard) Equivalence of Product Standards Certified By Sections from the Code	FL29675-R3 Revision 2023 Approved <input type="checkbox"/> Mr-Glass Doors & Windows Manufacturing, LLC 8051 NW 79th Place Medley, FL 33166 (305) 470-8284 ulises@mrglasswindows.com Ulises Senaris ulises@mrglasswindows.com Augusto Arias 8120 NW 84th St Medley, FL 33166 (305) 470-8284 aarias@mrglasswindows.com Windows Awning Evaluation Report from a Florida Registered Architect or a Licensed Florida Professional Engineer <input type="checkbox"/> Evaluation Report - Hardcopy Received Jalal Farooq PE-81223 Keystone Certifications, Inc. 08/27/2025 Abel Carrasco, PE <input checked="" type="checkbox"/> Validation Checklist - Hardcopy Received FL29675_R3_COI_SS - Certificate of Independence 2023.pdf <table border="0"> <thead> <tr> <th style="text-align: left;">Standard</th> <th style="text-align: left;">Year</th> </tr> </thead> <tbody> <tr> <td>ASTM E1886</td> <td>2013</td> </tr> <tr> <td>ASTM E1996</td> <td>2014</td> </tr> <tr> <td>TAS 201</td> <td>1994</td> </tr> <tr> <td>TAS 202</td> <td>1994</td> </tr> <tr> <td>TAS 203</td> <td>1994</td> </tr> </tbody> </table>	Standard	Year	ASTM E1886	2013	ASTM E1996	2014	TAS 201	1994	TAS 202	1994	TAS 203	1994
Standard	Year												
ASTM E1886	2013												
ASTM E1996	2014												
TAS 201	1994												
TAS 202	1994												
TAS 203	1994												

Product Approval Method

Method 1 Option D

Date Submitted 07/21/2023
 Date Validated 07/29/2023
 Date Pending FBC Approval 07/31/2023
 Date Approved 10/17/2023

Summary of Products

FL #	Model, Number or Name	Description
29675.1	Series 600 Aluminum Awning Window	Large missile impact resistant aluminum awning window.
Limits of Use Approved for use in HVHZ: Yes Approved for use outside HVHZ: Yes Impact Resistant: Yes Design Pressure: +80/-100 Other: See installation drawing 19-44F for span vs. load combination and installation details.		Installation Instructions FL29675_R3_II_SS - 600 Alum Awning_WDW (LMI) DWG 19-44F 2023.1.pdf Verified By: Jalal Farooq PE 81223 Created by Independent Third Party: Yes Evaluation Reports FL29675_R3_AE_SS - 600 AWNING - LMI PAE 2023.pdf Created by Independent Third Party: Yes

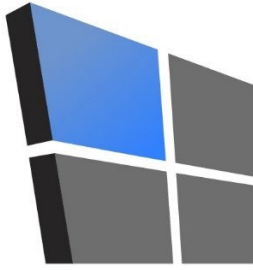
[Back](#) [Next](#)

[Contact Us](#) :: [2601 Blair Stone Road, Tallahassee FL 32399](#) Phone: 850-487-1824

The State of Florida is an AA/EEO employer. [Copyright 2007-2013 State of Florida.](#) :: [Privacy Statement](#) :: [Accessibility Statement](#) :: [Refund Statement](#)

Under Florida law, email addresses are public records. If you do not want your e-mail address released in response to a public-records request, do not send electronic mail to this entity. Instead, contact the office by phone or by traditional mail. If you have any questions, please contact 850.487.1395. *Pursuant to Section 455.275(1), Florida Statutes, effective October 1, 2012, licensees licensed under Chapter 455, F.S. must provide the Department with an email address if they have one. The emails provided may be used for official communication with the licensee. However email addresses are public record. If you do not wish to supply a personal address, please provide the Department with an email address which can be made available to the public. To determine if you are a licensee under Chapter 455, F.S., please click [here](#).





AL-FAROOQ CORPORATION

CONSULTING ENGINEERS & PRODUCT DEVELOPMENT

January 23, 2023

Product Approval Administrator
Building Codes & Standards Section
Department of Business & Professional Regulations
1940 North Monroe Street, Suite 90
Tallahassee, FL 32399-2100

To whom it may concern,

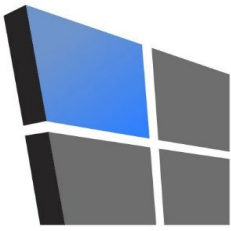
As the design engineer retained to prepare the product approval(s) associated with this letter as shown below on this same web page, I do hereby declare that I do not have and will not have any financial interest in any company manufacturing or distributing the referenced product(s), nor do I have or will have any financial interest with any other entity involved in the approval process of the referenced product(s).

Sincerely,



Jalal Farooq, P.E.
CFO

Sealed: 1/23/2023



AL-FAROOQ CORPORATION

CONSULTING ENGINEERS & PRODUCT DEVELOPMENT

PRODUCT APPROVAL EVALUATION RULE CHAPTER #61G20-3 • METHOD 1 OPTION D

FL 29675

Date: 07/20/2023

Detailed Product Description:

Manufacturer: MR-GLASS DOORS & WINDOWS MANUFACTURING, LLC

Manufacturer Address: 8051 N.W. 79TH PLACE, MEDLEY, FL 33166

Model Name: SERIES 600 ALUMINUM AWNING WINDOW

Maximum Load: +80 PSF, -100 PSF (Large Missile Impact)

Installation Drawings # 19-44F

This product complies with the High Velocity Hurricane Zone (HVHZ) testing requirements.
For maximum sizes, combination of span vs loads and anchor type refer to installation drawings.
Comparative analysis used X Yes No

Mandatory Tests (Tested in accordance with AAMA 101/I.S.2/NAFS/TAS-202)

Test	Description	Test Location	Test Report Date	Test Report #	Test Sealed By
ASTM E283	Air Infiltration Leakage	Hurricane Engineering & Testing Inc.	3/19/2019	HELTI-18-6079	Rafael Droz-Seda, PE
			3/19/2019	HELTI-18-6082	
			3/19/2019	HELTI-19-7004	
ASTM E331 OR ASTM E547 & TAS 202	Water Penetration	Hurricane Engineering & Testing Inc.	3/19/2019	HELTI-18-6079	Rafael Droz-Seda, PE
			3/19/2019	HELTI-18-6082	
			3/19/2019	HELTI-19-7004	
ASTM E330 & TAS 202	Uniform Static Air Press.	Hurricane Engineering & Testing Inc.	3/19/2019	HELTI-18-6079	Rafael Droz-Seda, PE
			3/19/2019	HELTI-18-6082	
			3/19/2019	HELTI-19-7004	
			3/19/2019	HELTI-19-7008	
ASTM F588 or AAMA 1302.5	Forced Entry Test	Hurricane Engineering & Testing Inc.	3/19/2019	HELTI-18-6079	Rafael Droz-Seda, PE
			3/19/2019	HELTI-18-6082	
			3/19/2019	HELTI-19-7004	

Supplemental Tests (Tested in accordance with TAS-201 and TAS-203)

Test	Description	Test Location	Test Report Date	Test Report#	Test Sealed By
FBC 1626.2 (TAS 201 & 203) ASTM E1886/1996 ANSI Z97.1	Large Missile Impact & Cyclic	Hurricane Engineering & Testing Inc.	3/19/2019	HELTI-18-6080	Rafael Droz-Seda, PE
			3/19/2019	HELTI-18-6081	
			3/19/2019	HELTI-19-7005	
			1/19/2019	HELTI-19-7009	
			3/19/2019	HELTI-19-7010	
			3/19/2019	HELTI-19-7012	
			3/19/2019	HELTI-19-7015	
			3/19/2019	HELTI-19-7016	
			4/29/2020	HELTI-20-8050	
6/29/2020	HELTI-20-8071				

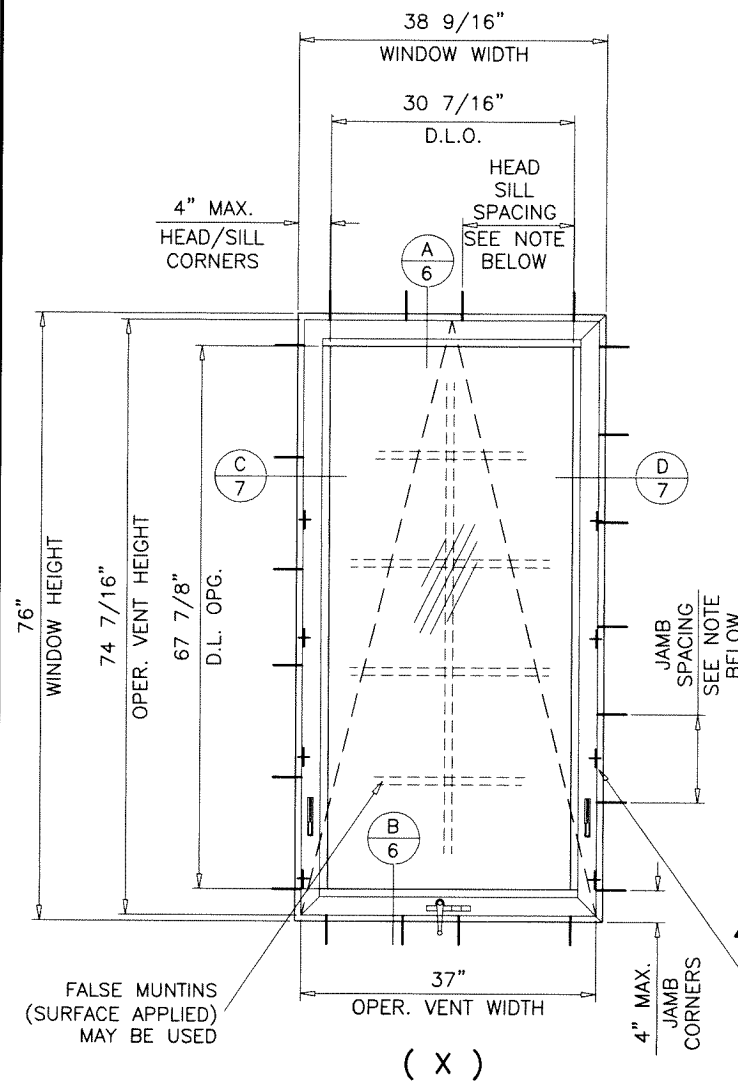
Under the limitations of the attached installation drawings, to the best of my knowledge and ability, the above product conforms to the requirements of the 2023 Florida Building Code.

Evaluation Report Engineer:

Jalal Farooq PE # 81223
Al-Farooq Corporation EB # 3538

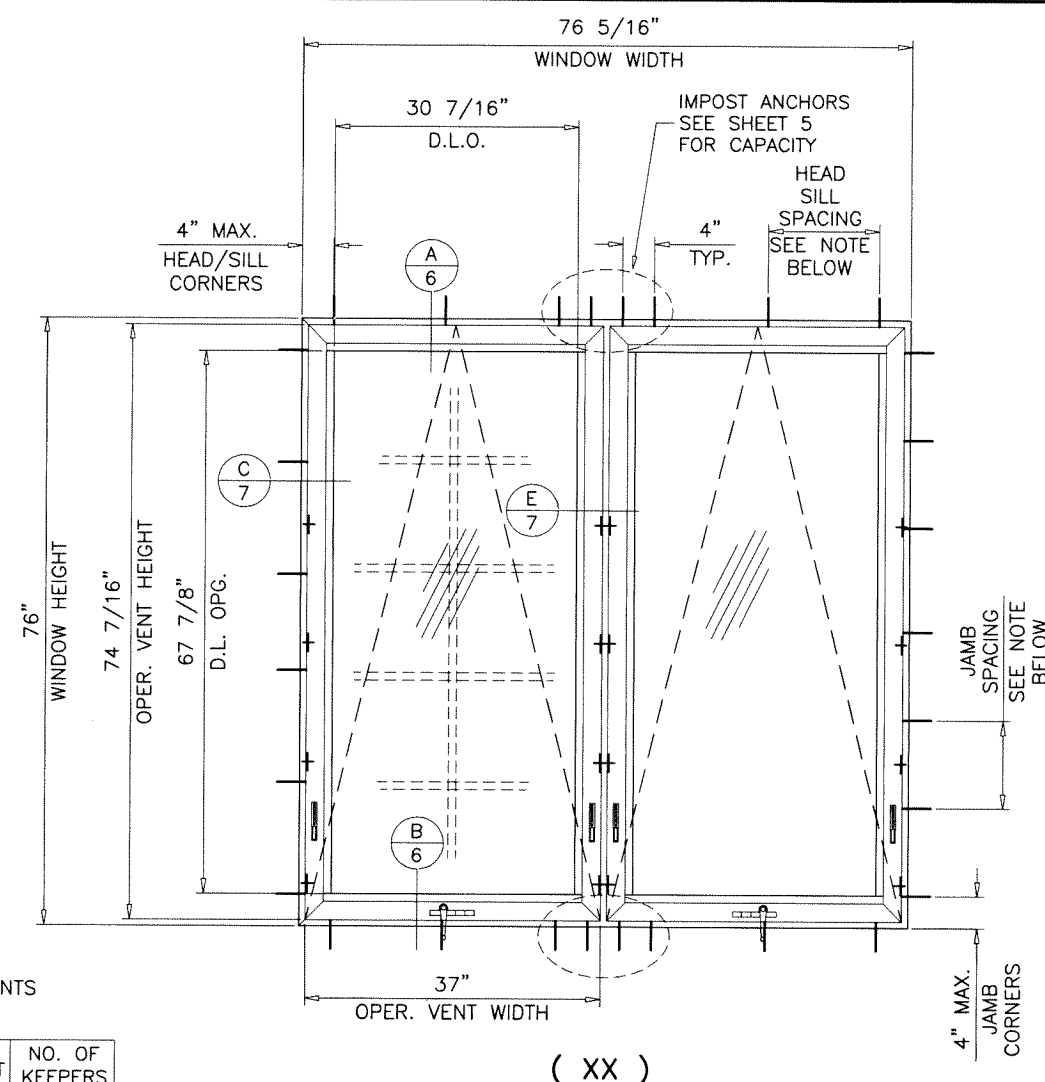


Sealed: 7/21/2023

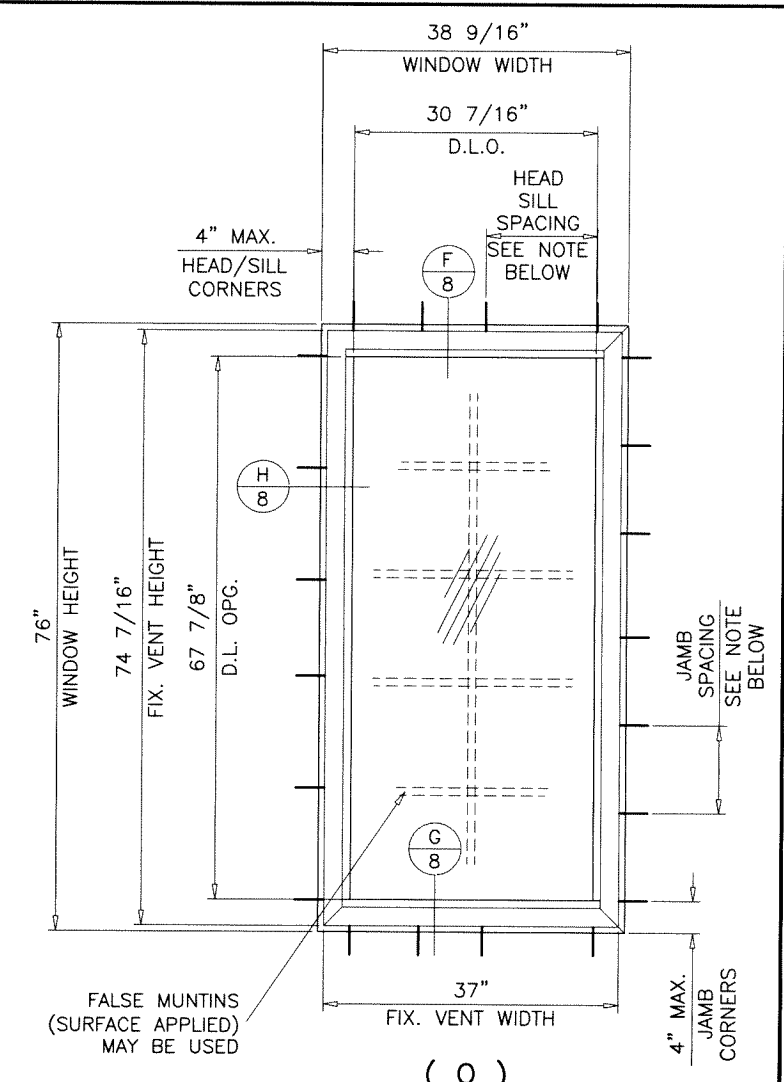


4 POINT LOCK

WDW. HEIGHT UPTO	NO. OF KEEPERS AT SASH
26"	2
38-3/8"	2
50-5/8"	3
63"	4
76"	4



TYPICAL ELEVATIONS



ANCHOR SPACING:
 14" O.C. MAX. FOR LOADS UPTO 80 PSF
 11" O.C. MAX. FOR LOADS ABOVE 80 PSF

THESE WINDOWS ARE RATED FOR LARGE & SMALL MISSILE IMPACT. SHUTTERS ARE NOT REQUIRED.

FIXED WINDOW (O) COMPLIES WITH REQUIREMENTS OF ANSI Z97.1.

Sealed: 7/26/2023 FL #29675

SERIES 600 ALUMINUM AWNING WINDOW

DESIGN LOAD RATINGS FOR THESE WINDOWS TO BE AS PER CHARTS SHOWN ON SHEET 5.

APPROVAL APPLIES TO SINGLE AWNING AND FIXED UNITS, SIDE BY SIDE COMBINATIONS OF AWNING/AWNING OR AWNING/FIXED IN MODULES OF TWO OR MORE WINDOWS USING INTEGRAL IMPOST IN BETWEEN.

ALSO TOP & BOTTOM COMBINATIONS OF FIXED/AWNING OR FIXED/FIXED IN MODULES OF TWO OR MORE WINDOWS USING INTEGRAL IMPOST IN BETWEEN.

ALSO SIDE BY SIDE OR TOP AND BOTTOM COMBINATIONS OF AWNING OR FIXED WITH OTHER WINDOW TYPES IN MODULES OF TWO OR MORE WINDOWS USING FBC APPROVED MULLIONS IN BETWEEN.

LOWER DESIGN PRESSURE FROM WINDOWS OR MULLION APPROVAL WILL APPLY TO ENTIRE SYSTEM.

THIS PRODUCT HAS BEEN DESIGNED AND TESTED TO COMPLY WITH THE REQUIREMENTS OF THE 2020 (7TH EDITION)/2023 (8TH EDITION) FLORIDA BUILDING CODE INCLUDING HIGH VELOCITY HURRICANE ZONE (HVHZ).

1BY OR 2BY WOOD BUCKS & BUCK FASTENERS BY OTHERS, MUST BE DESIGNED AND INSTALLED ADEQUATELY TO TRANSFER APPLIED PRODUCT LOADS TO THE BUILDING STRUCTURE.

ANCHORS SHALL BE CORROSION RESISTANT, SPACED AS SHOWN ON DETAILS AND INSTALLED PER MANUF'S INSTRUCTIONS. SPECIFIED EMBEDMENT TO BASE MATERIAL SHALL BE BEYOND WALL DRESSING OR STUCCO.

A LOAD DURATION INCREASE IS USED IN DESIGN OF ANCHORS INTO WOOD ONLY.

ALL SHIMS TO BE HIGH IMPACT, NON-METALLIC AND NON-COMPRESSIBLE.

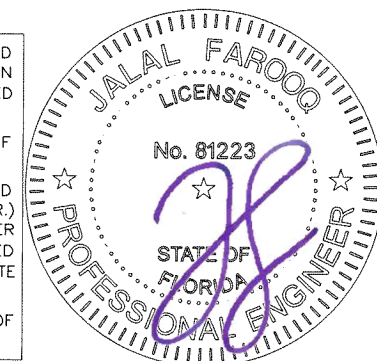
MATERIALS INCLUDING BUT NOT LIMITED TO STEEL/METAL SCREWS, THAT COME INTO CONTACT WITH OTHER DISSIMILAR MATERIALS SHALL MEET THE REQUIREMENTS OF THE 2020/2023 FLORIDA BLDG. CODE & ADOPTED STANDARDS.

THIS PRODUCT APPROVAL IS GENERIC AND DOES NOT PROVIDE INFORMATION FOR A SITE SPECIFIC PROJECT, I.E. LIFE SAFETY OF THIS PRODUCT, ADEQUACY OF STRUCTURE RECEIVING THIS PRODUCT AND SEALING AROUND OPENING FOR WATER INFILTRATION RESISTANCE ETC. CONDITIONS NOT SHOWN IN THIS DRAWING ARE TO BE ANALYZED SEPARATELY, AND TO BE REVIEWED BY BUILDING OFFICIAL.

DESIGN LOADS SHOWN ARE BASED ON 'ALLOWABLE STRESS DESIGN (ASD)'.

MANUFACTURER'S LABEL SHALL BE LOCATED ON A READILY VISIBLE LOCATION IN ACCORDANCE WITH SECTION 1709.9.3 OF FLORIDA BUILDING CODE. LABELING TO COMPLY WITH SECTION 1709.9.2.

- A- CONTRACTOR TO BE RESPONSIBLE FOR THE SELECTION, PURCHASE AND INSTALLATION OF THIS PRODUCT BASED ON THIS PRODUCT EVALUATION PROVIDED HE/SHE DOES NOT DEVIATE FROM THE CONDITIONS DETAILED ON THIS DOCUMENT.
- B- THIS PRODUCT EVALUATION DOCUMENT WILL BE CONSIDERED INVALID IF ALTERED BY ANY MEANS.
- C- SITE SPECIFIC PROJECTS SHALL BE PREPARED BY A FLORIDA REGISTERED ENGINEER OR ARCHITECT WHICH WILL BECOME THE ENGINEER OF RECORD (E.O.R.) FOR THE PROJECT AND WHO WILL BE RESPONSIBLE FOR THE PROPER USE OF THE P.E.D. ENGINEER OF RECORD, ACTING AS A DELEGATED ENGINEER TO THE P.E.D. ENGINEER SHALL SUBMIT TO THIS LATTER THE SITE SPECIFIC DRAWINGS FOR REVIEW.
- D- THIS P.E.D. SHALL BEAR THE DATE AND ORIGINAL SEAL AND SIGNATURE OF THE PROFESSIONAL ENGINEER OF RECORD THAT PREPARED IT.

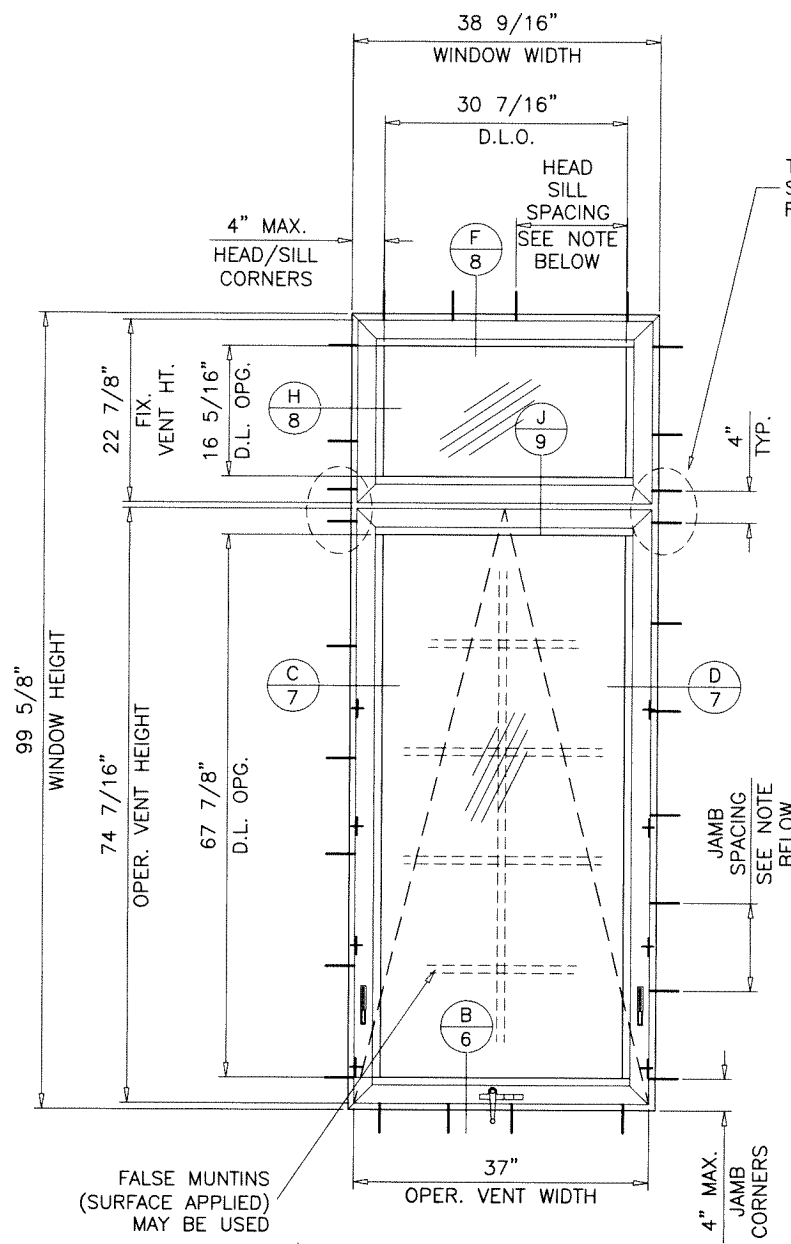


af c
AL-FAROOQ CORPORATION
 ENGINEERS & PRODUCT DEVELOPMENT
 9360 SUNSET DRIVE, SUITE 220
 MIAMI, FLORIDA 33173 (C.A.N. 3538)
 TEL. (305) 264-8100 FAX. (305) 262-6978
 COMP-ANL\19-44F-MC

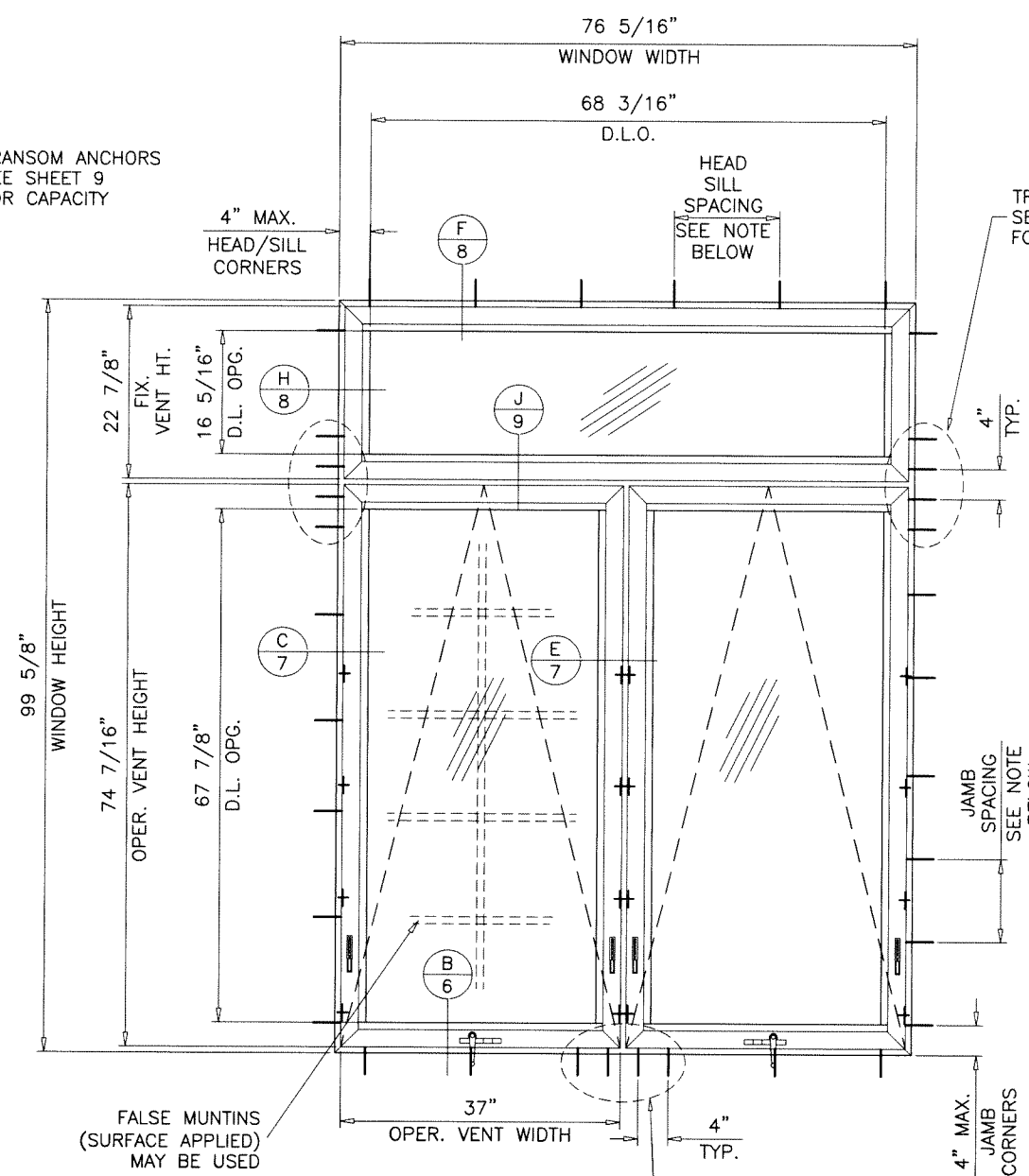
SERIES 600 ALUMINUM AWNING WINDOW (L.M.I.)
MR-GLASS DOORS & WINDOWS MANUFACTURING, LLC
 8051 N.W. 79th Place
 Medley, FL. 33166
 Tel. (305) 764-3963 Fax. (305) 470-8285

no	date	description	by
A	02.13.20	NEW TEST ADDED	
B	07.24.20	UPDATED TO 2020 FBC	
C	07.18.23	UPDATED TO 2023 FBC	

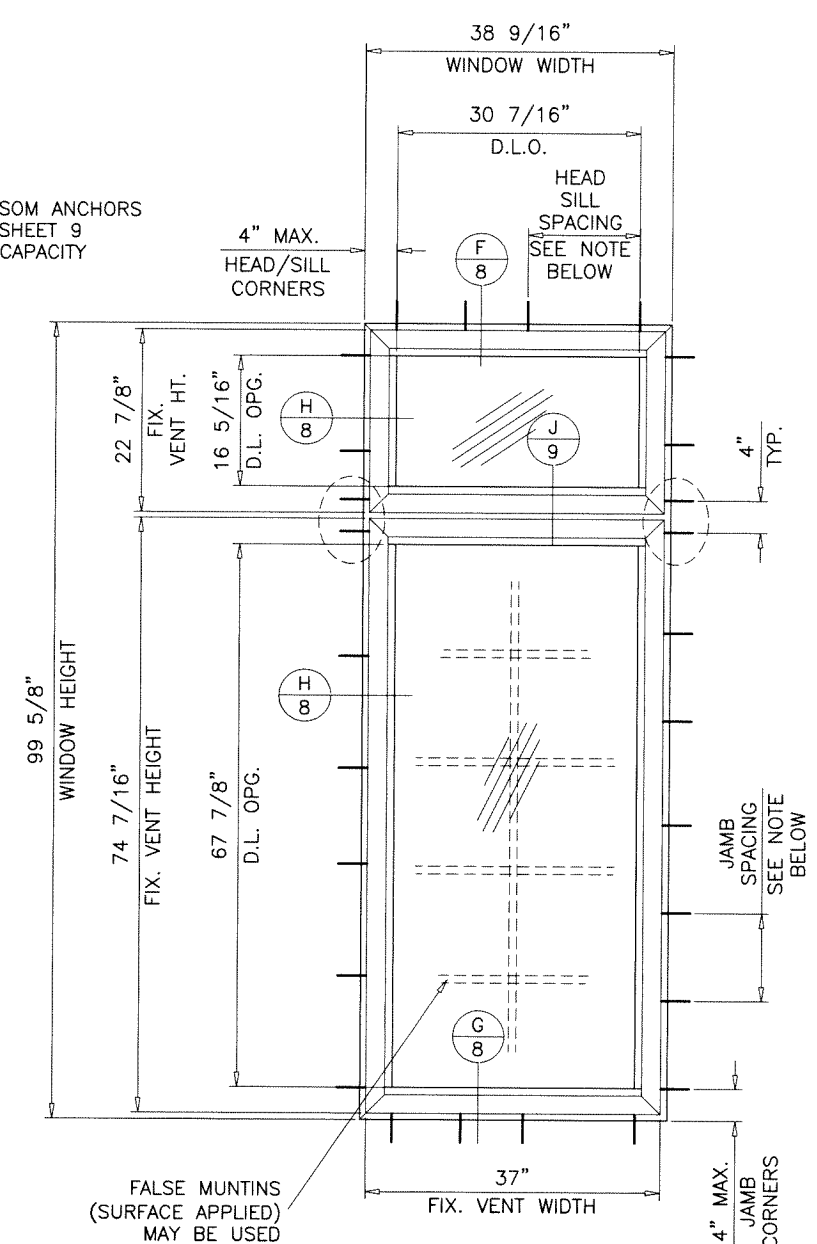
date: 05-16-19
 scale: 1/2"=1'-0"
 dr. by: TARIQ
 chk. by:
 drawing no. 19-44F
 sheet 1 of 13



(0/X)



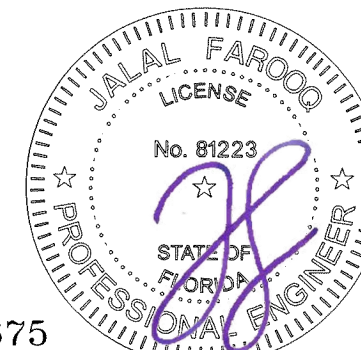
(0/XX)



(0/0)

ANCHOR SPACING:
 14" O.C. MAX. FOR LOADS UPTO 80 PSF
 11" O.C. MAX. FOR LOADS ABOVE 80 PSF

TYPICAL ELEVATIONS



Sealed: 7/26/2023

FL #29675

af c
AL-FAROOQ CORPORATION
 ENGINEERS & PRODUCT DEVELOPMENT
 9360 SUNSET DRIVE, SUITE 220
 MIAMI, FLORIDA 33173 (C.A.N. 3538)
 TEL. (305) 264-8100 FAX. (305) 262-6978
 COMP-ANL\19-44F-MG

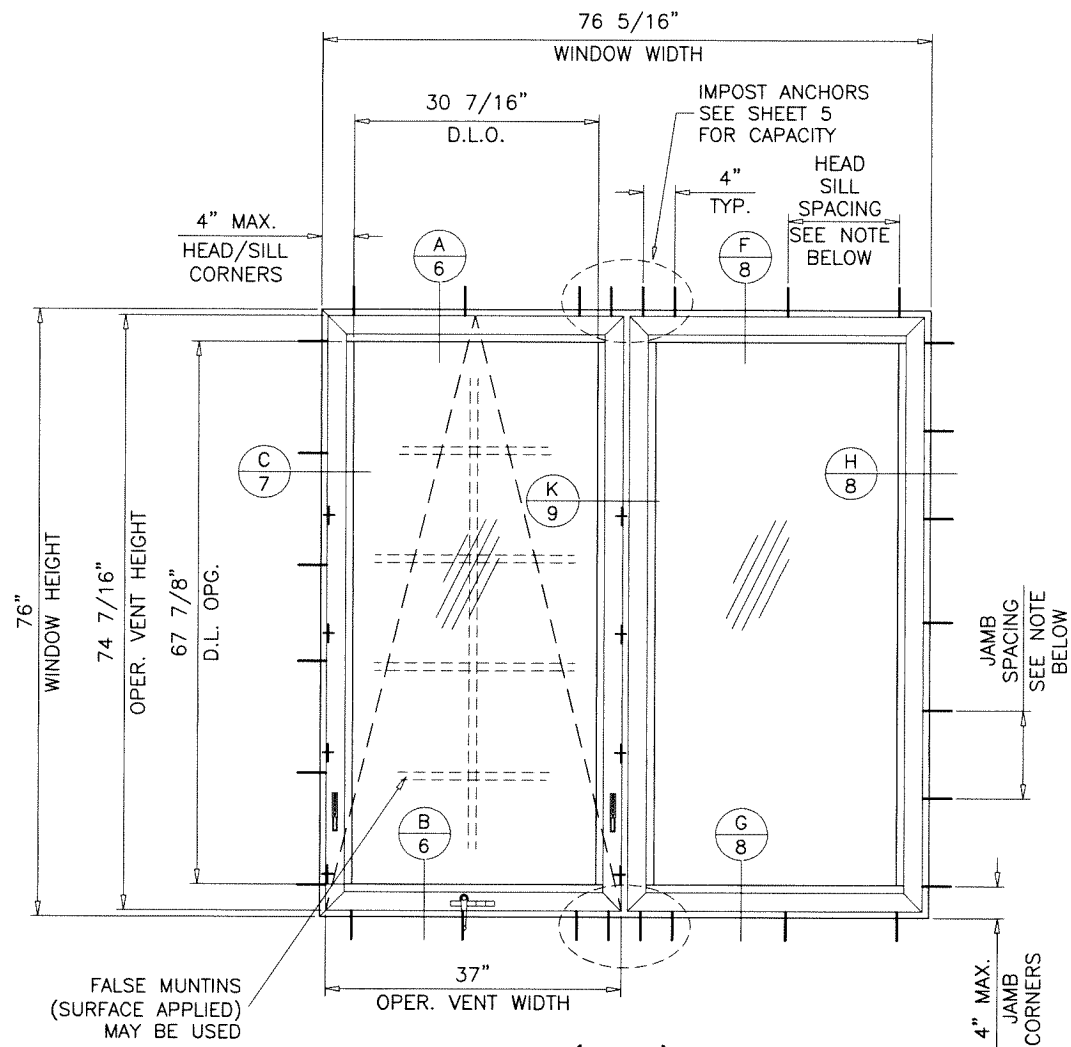
SERIES 600 ALUMINUM AWNING WINDOW (L.M.I.)
MR-GLASS DOORS & WINDOWS MANUFACTURING, LLC
 8051 N.W. 79th Place
 Medley, FL. 33166
 Tel. (305) 764-3963 Fax. (305) 470-8285

no.	date	description

revisions:

date: 05-16-19
 scale: 1/2"=1'-0"
 dr. by: TARIO
 chk. by:

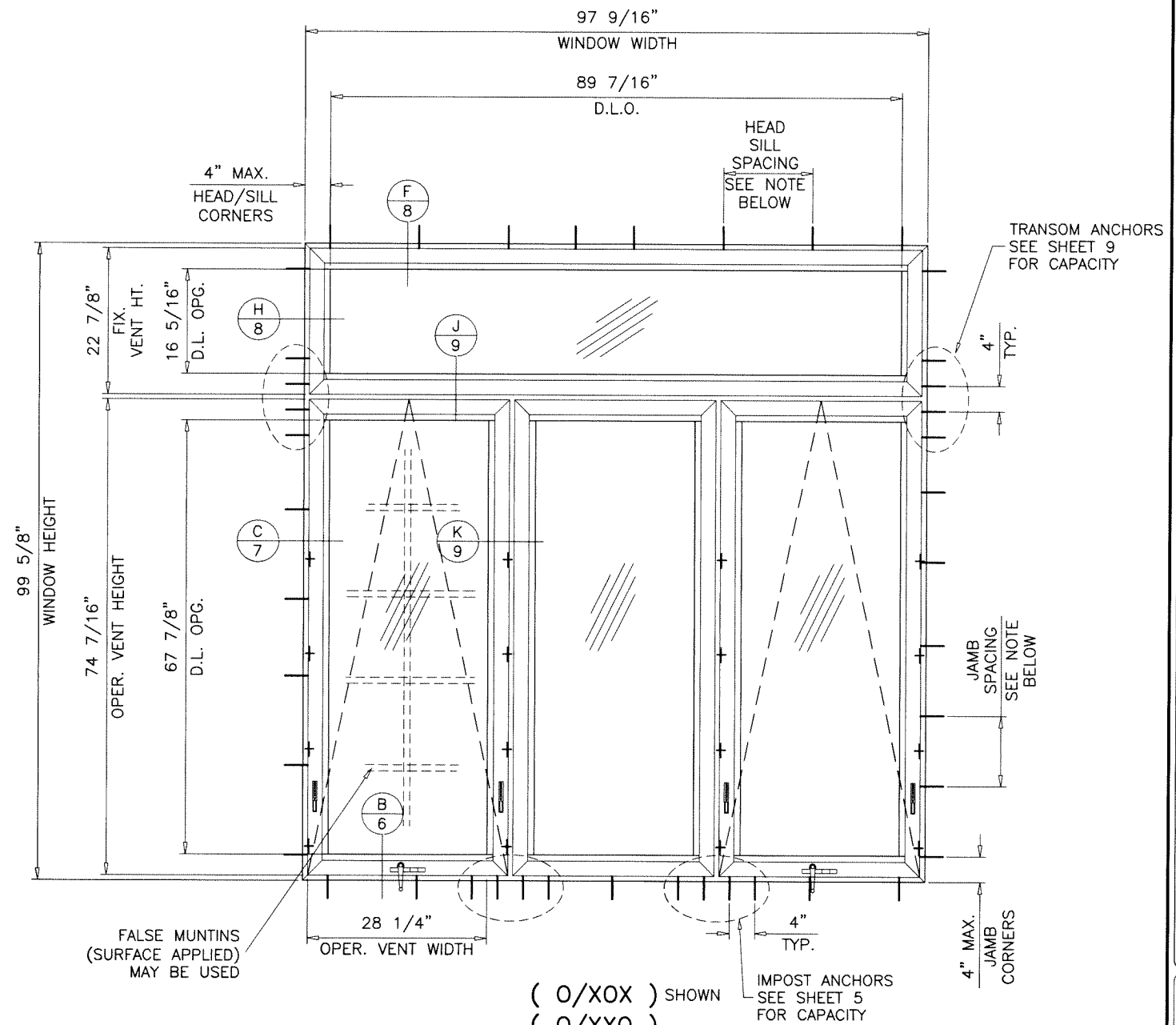
drawing no.
19-44F
 sheet 2 of 13



(XO) SHOWN
 (OX)
 (OO)

ANCHOR SPACING:
 14" O.C. MAX. FOR LOADS UPTO 80 PSF
 11" O.C. MAX. FOR LOADS ABOVE 80 PSF

TYPICAL ELEVATIONS



(O/XOX) SHOWN
 (O/XXO)
 (O/OXX)
 (O/XOO)
 (O/OOX)
 (O/OOO)
 (O/OXO)

Sealed: 7/26/2023

FL #29675



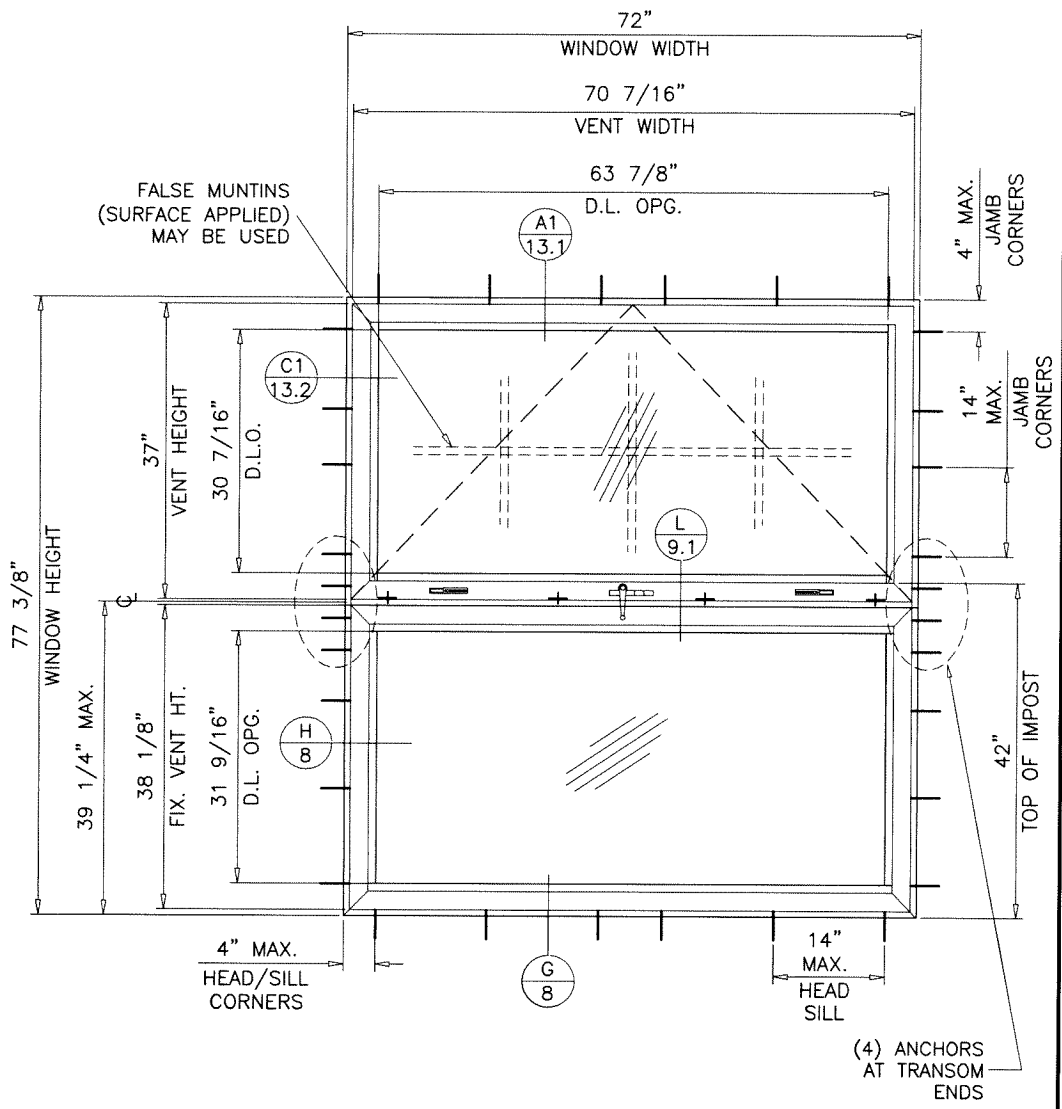
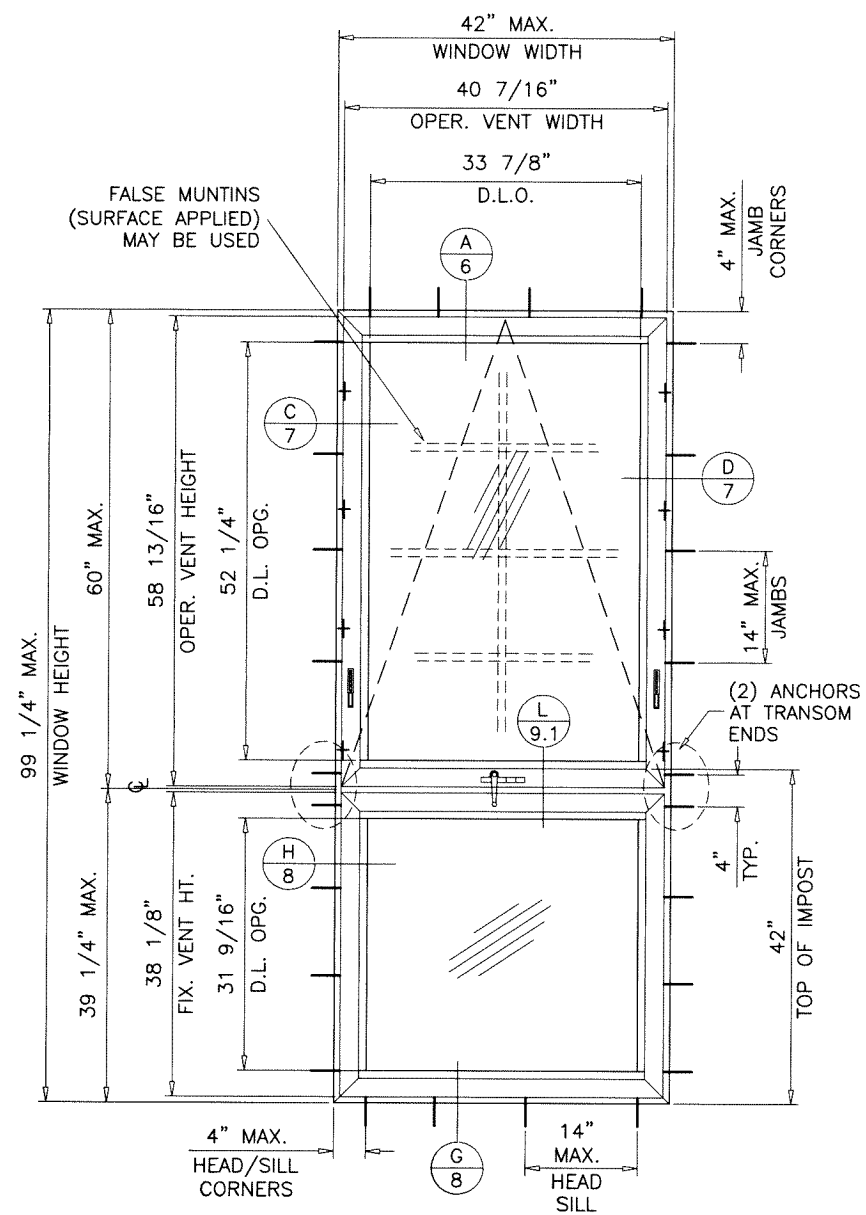
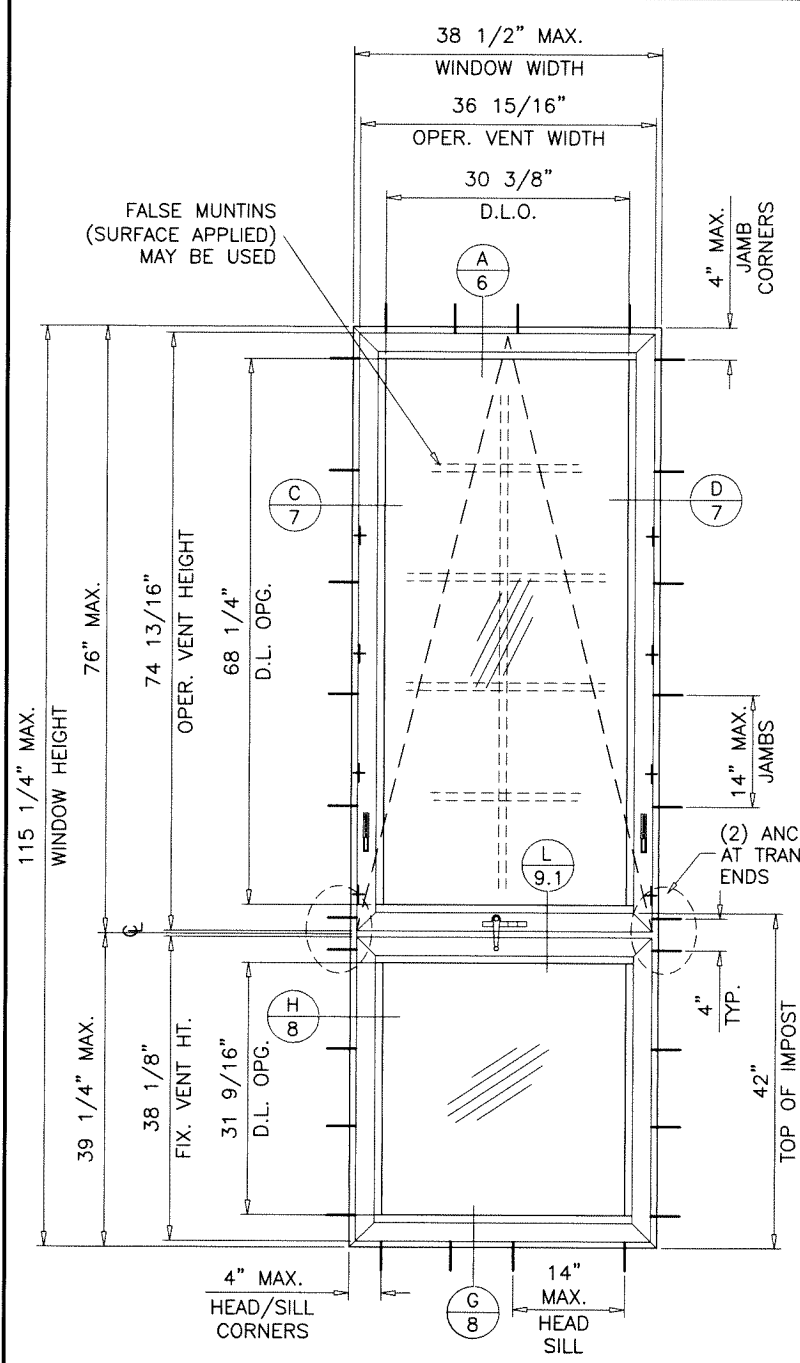
af c
AL-FAROOQ CORPORATION
 ENGINEERS & PRODUCT DEVELOPMENT
 9360 SUNSET DRIVE, SUITE 220 (C.A.N. 3538)
 MIAMI, FLORIDA 33173 TEL. (305) 264-8100 FAX. (305) 262-6978
 COMP-ANL\19-44F-MG

SERIES 600 ALUMINUM AWNING WINDOW (L.M.I.)
MR-GLASS DOORS & WINDOWS MANUFACTURING, LLC
 8051 N.W. 79th Place
 Medley, FL. 33166
 Tel. (305) 764-3963 Fax. (305) 470-8285

revisions:	no	date	by	description

date: 05-16-19
 scale: 1/2" = 1'-0"
 dr. by: TARIQ
 chk. by:

drawing no.
19-44F
 sheet 3 of 13



(X/O)
TYPICAL ELEVATIONS

MAXIMUM DESIGN LOAD RATING = + 80.0 PSF
(FOR SIZES SHOWN ABOVE OR SMALLER) - 80.0 PSF

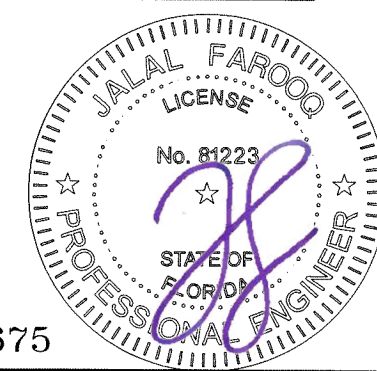
MAXIMUM DESIGN LOAD RATING = + 78.6 PSF
(FOR SIZES SHOWN ABOVE OR SMALLER) - 78.6 PSF

MAXIMUM DESIGN LOAD RATING = + 78.6 PSF
(FOR SIZES SHOWN ABOVE OR SMALLER) - 78.6 PSF

NOTE:
GLASS CAPACITIES ON THIS SHEET ARE
BASED ON ASTM E1300-09 (3 SEC. GUSTS)
AND FLORIDA BUILDING COMMISSION
DECLARATORY STATEMENT DCA05-DEC-219

Sealed: 7/26/2023

FL #29675



af c
AL-FAROOQ CORPORATION
ENGINEERS & PRODUCT DEVELOPMENT
9360 SUNSET DRIVE, SUITE 220
MIAMI, FLORIDA 33173 (C.A.N. 3538)
TEL. (305) 264-8100 FAX. (305) 262-6978
COMP-ANL\19-44F-MG

SERIES 600 ALUMINUM AWNING WINDOW (L.M.I.)
MR-GLASS DOORS & WINDOWS MANUFACTURING, LLC
8051 N.W. 79th Place
Medley, FL. 33166
Tel. (305) 764-3963 Fax. (305) 470-8285

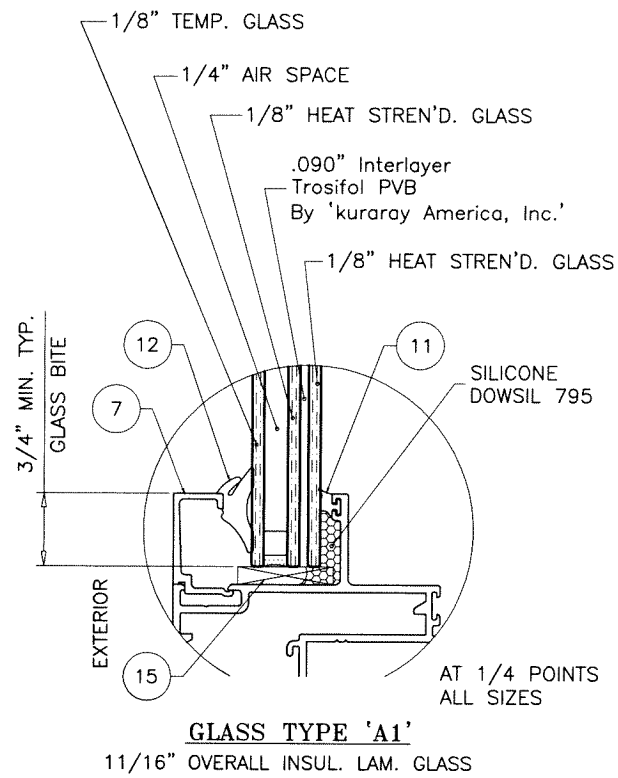
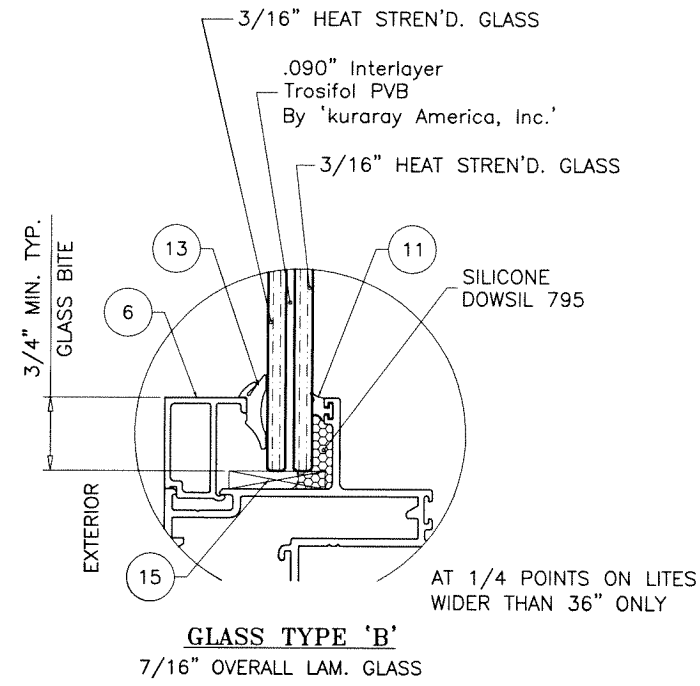
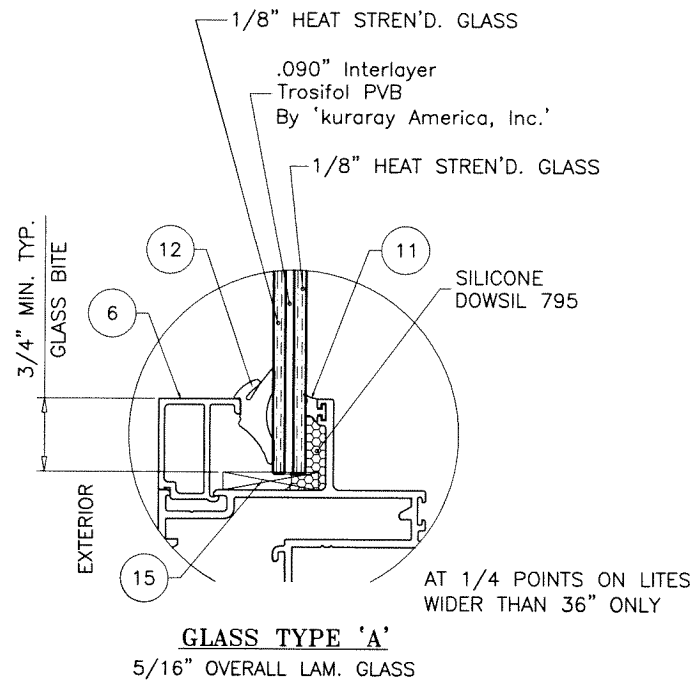
no	date	description

revisions:

date: 05-16-19
scale: 1/2"=1'-0"
dr. by: TARIQ
chk. by:

drawing no.
19-44F

sheet 3.1 of 13



1/4" AIR SPACE CONSISTING OF:
'DURASEAL' EDGE SEAL SYSTEM
BY 'QUANEX'

Sealed: 7/26/2023



FL #29675

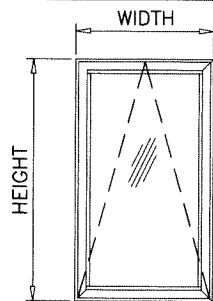
afc
AL-FAROOQ CORPORATION
ENGINEERS & PRODUCT DEVELOPMENT
9360 SUNSET DRIVE, SUITE 220
MIAMI, FLORIDA 33173
TEL. (305) 264-8100 FAX. (305) 262-6978
(C.A.N. 3538)
COMP-ANL\19-44F-MG

SERIES 600 ALUMINUM AWNING WINDOW (L.M.I.)
MR-GLASS DOORS & WINDOWS MANUFACTURING, LLC
8051 N.W. 79th Place
Medley, FL. 33166
Tel. (305) 764-3963 Fax. (305) 470-8285

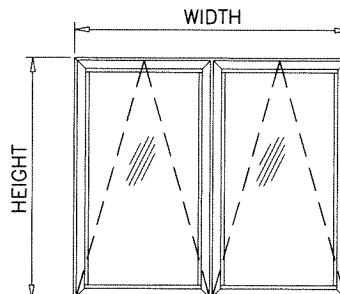
revisions:	
no	description

date: 05-16-19
scale: 1/2" = 1"
dr. by: TARIQ
chk. by:
drawing no.
19-44F
sheet 4 of 13

DESIGN LOAD CAPACITY - PSF AWNING (X SIZES)					
FRAME DIMS.		GLASS TYPES 'A' & 'A1'		GLASS TYPE 'B'	
WIDTH	HEIGHT	EXT.(+)	1NT.(-)	EXT.(+)	1NT.(-)
19-1/8"	26"	80.0	80.0	80.0	100.0
26-1/2"		80.0	80.0	80.0	100.0
37"		80.0	80.0	80.0	100.0
19-1/8"	38-3/8"	80.0	80.0	80.0	100.0
26-1/2"		80.0	80.0	80.0	100.0
37"		80.0	80.0	80.0	100.0
19-1/8"	50-5/8"	80.0	80.0	80.0	100.0
26-1/2"		80.0	80.0	80.0	100.0
37"		80.0	80.0	80.0	100.0
19-1/8"	56"	80.0	80.0	80.0	100.0
26-1/2"		80.0	80.0	80.0	100.0
37"		80.0	80.0	80.0	100.0
19-1/8"	63"	80.0	80.0	80.0	100.0
26-1/2"		80.0	80.0	80.0	100.0
37"		80.0	80.0	80.0	100.0
19-1/8"	72"	80.0	80.0	80.0	100.0
26-1/2"		80.0	80.0	80.0	100.0
37"		80.0	80.0	80.0	100.0
19-1/8"	76"	80.0	80.0	80.0	100.0
26-1/2"		80.0	80.0	80.0	100.0
37"		80.0	80.0	80.0	100.0
38-1/2"		80.0	80.0	80.0	100.0
12"	36"	80.0	80.0	80.0	100.0
18"		80.0	80.0	80.0	100.0
24"		80.0	80.0	80.0	100.0
30"		80.0	80.0	80.0	100.0
38"		80.0	80.0	80.0	100.0
42"	80.0	80.0	80.0	100.0	
12"	48"	80.0	80.0	80.0	100.0
18"		80.0	80.0	80.0	100.0
24"		80.0	80.0	80.0	100.0
30"		80.0	80.0	80.0	100.0
38"		77.9	77.9	77.9	97.4
42"	70.5	70.5	70.5	88.1	
12"	60"	80.0	80.0	80.0	100.0
18"		80.0	80.0	80.0	100.0
24"		80.0	80.0	80.0	100.0
30"		80.0	80.0	80.0	100.0
38"		77.9	77.9	77.9	97.4
42"	70.5	70.5	70.5	88.1	
12"	72"	80.0	80.0	80.0	100.0
18"		80.0	80.0	80.0	100.0
24"		80.0	80.0	80.0	100.0
30"		80.0	80.0	80.0	100.0
38"		77.9	77.9	77.9	97.4
42"	70.5	70.5	70.5	88.1	

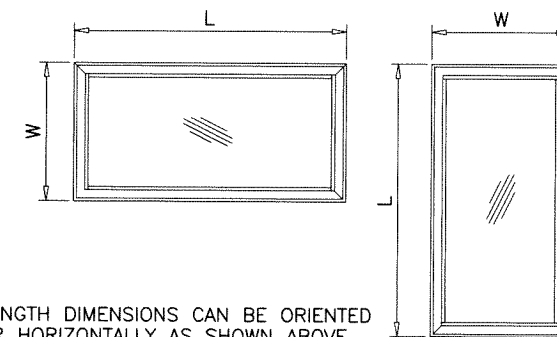


NOTE:
FOR TRIPLE AWNING CONFIGURATION MULTIPLY
OVERALL WIDTH BY 2/3 AND APPLY CHART
FOR XX SIZES.
THE GLASS AREA OF ANY INDIVIDUAL SASH
SHALL NOT EXCEED THE MAXIMUM TESTED AREA.



DESIGN LOAD CAPACITY - PSF AWNING (XX SIZES)					
FRAME DIMS.		2 ANCHORS AT IMPOST LOCATION		4 ANCHORS AT IMPOST LOCATION	
		GLASS TYPES 'A', 'A1' & 'B'		GLASS TYPES 'A', 'A1' & 'B'	
WIDTH	HEIGHT	EXT.(+)	1NT.(-)	EXT.(+)	1NT.(-)
37"	26"	80.0	80.0	80.0	80.0
53-1/8"		80.0	80.0	80.0	80.0
74"		80.0	80.0	80.0	80.0
37"	38-3/8"	80.0	80.0	80.0	80.0
53-1/8"		80.0	80.0	80.0	80.0
74"		80.0	80.0	80.0	80.0
37"	50-5/8"	80.0	80.0	80.0	80.0
53-1/8"		80.0	80.0	80.0	80.0
74"		74.1	74.1	80.0	80.0
37"	56"	80.0	80.0	80.0	80.0
53-1/8"		77.7	77.7	80.0	80.0
74"		63.5	63.5	80.0	80.0
37"	63"	80.0	80.0	80.0	80.0
53-1/8"		66.7	66.7	80.0	80.0
74"		53.5	53.5	80.0	80.0
37"	72"	75.9	75.9	80.0	80.0
53-1/8"		56.5	56.5	80.0	80.0
74"		44.5	44.5	80.0	80.0
37"	76"	71.4	71.4	80.0	80.0
53-1/8"		52.9	52.9	80.0	80.0
74"		41.4	41.4	80.0	80.0
76"		40.7	40.7	80.0	80.0
24"	36"	80.0	80.0	80.0	80.0
36"		80.0	80.0	80.0	80.0
48"		80.0	80.0	80.0	80.0
60"		80.0	80.0	80.0	80.0
76"		80.0	80.0	80.0	80.0
84"	80.0	80.0	80.0	80.0	
24"	48"	80.0	80.0	80.0	80.0
36"		80.0	80.0	80.0	80.0
48"		80.0	80.0	80.0	80.0
60"		80.0	80.0	80.0	80.0
76"		77.9	77.9	77.9	77.9
84"	70.5	70.5	70.5	70.5	
24"	60"	80.0	80.0	80.0	80.0
36"		80.0	80.0	80.0	80.0
48"		76.5	76.5	80.0	80.0
60"		65.3	65.3	80.0	80.0
76"		56.6	56.6	77.9	77.9
84"	53.8	53.8	70.5	70.5	
24"	72"	80.0	80.0	80.0	80.0
36"		77.7	77.7	80.0	80.0
48"		61.2	61.2	80.0	80.0
60"		51.5	51.5	80.0	80.0
76"		45.8	45.8	77.9	77.9

DESIGN LOAD CAPACITY - PSF FIXED (O)					
FRAME DIMS.		GLASS TYPES 'A' & 'A1'		GLASS TYPE 'B'	
WIDTH	LENGTH	EXT.(+)	1NT.(-)	EXT.(+)	1NT.(-)
19-1/8"	26"	80.0	80.0	80.0	100.0
26-1/2"		80.0	80.0	80.0	100.0
37"		80.0	80.0	80.0	100.0
53-1/8"		80.0	80.0	80.0	100.0
19-1/8"	38-3/8"	80.0	80.0	80.0	100.0
26-1/2"		80.0	80.0	80.0	100.0
37"		80.0	80.0	80.0	100.0
53-1/8"		77.1	77.1	77.1	96.4
19-1/8"	50-5/8"	80.0	80.0	80.0	100.0
26-1/2"		80.0	80.0	80.0	100.0
37"		80.0	80.0	80.0	100.0
53-1/8"		58.5	58.5	58.5	73.1
19-1/8"	56"	80.0	80.0	80.0	100.0
26-1/2"		80.0	80.0	80.0	100.0
37"		80.0	80.0	80.0	100.0
19-1/8"	63"	80.0	80.0	80.0	100.0
26-1/2"		80.0	80.0	80.0	100.0
37"		80.0	80.0	80.0	100.0
19-1/8"	72"	80.0	80.0	80.0	100.0
26-1/2"		80.0	80.0	80.0	100.0
37"		80.0	80.0	80.0	100.0
19-1/8"	76"	80.0	80.0	80.0	100.0
26-1/2"		80.0	80.0	80.0	100.0
37"		80.0	80.0	80.0	100.0
26-1/2"	76"	80.0	80.0	80.0	100.0
37"		80.0	80.0	80.0	100.0
38-1/2"		80.0	80.0	80.0	100.0
24"	48"	80.0	80.0	80.0	100.0
30"		80.0	80.0	80.0	100.0
32"		80.0	80.0	80.0	100.0
36"		80.0	80.0	80.0	100.0
42"		70.5	70.5	70.5	88.1
48"	61.7	61.7	61.7	77.1	
24"	60"	80.0	80.0	80.0	100.0
30"		80.0	80.0	80.0	100.0
32"		80.0	80.0	80.0	100.0
36"		80.0	80.0	80.0	100.0
42"	70.5	70.5	70.5	88.1	
24"	72"	80.0	80.0	80.0	100.0
30"		80.0	80.0	80.0	100.0
32"		80.0	80.0	80.0	100.0
36"		80.0	80.0	80.0	100.0
24"	84"	80.0	80.0	80.0	100.0
30"		80.0	80.0	80.0	100.0
32"		80.0	80.0	80.0	100.0
24"	96"	80.0	80.0	80.0	100.0



NOTE:
WIDTH AND LENGTH DIMENSIONS CAN BE ORIENTED
VERTICALLY OR HORIZONTALLY AS SHOWN ABOVE.

NOTE:
GLASS CAPACITIES ON THIS SHEET ARE
BASED ON ASTM E1300-09 (3 SEC. GUSTS)
AND FLORIDA BUILDING COMMISSION
DECLARATORY STATEMENT DCA05-DEC-219

Sealed: 7/26/2023

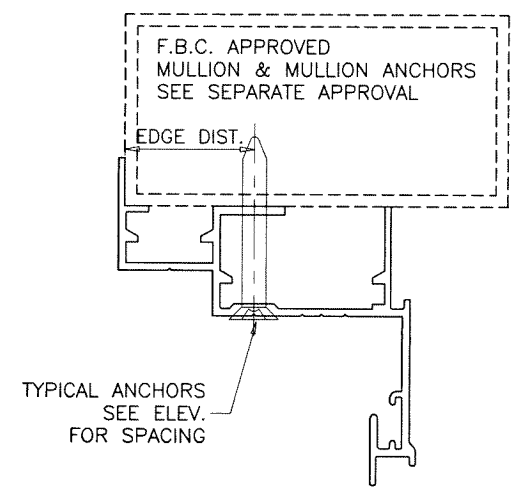
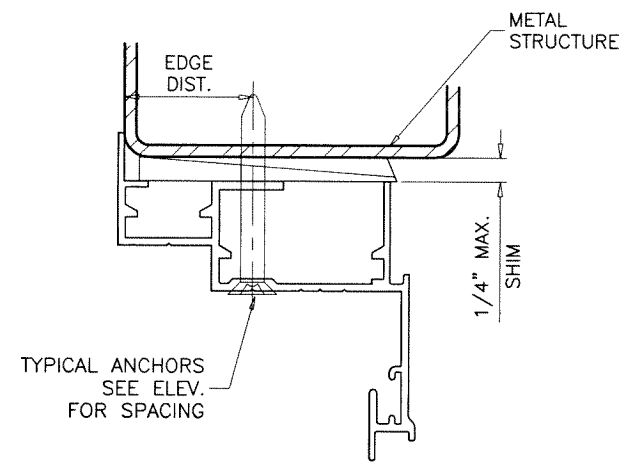
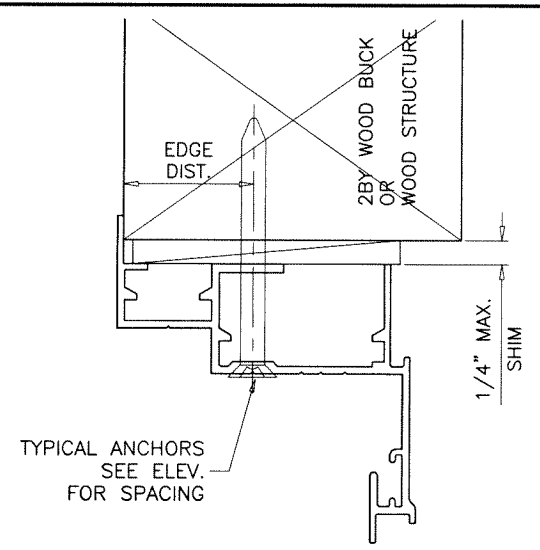
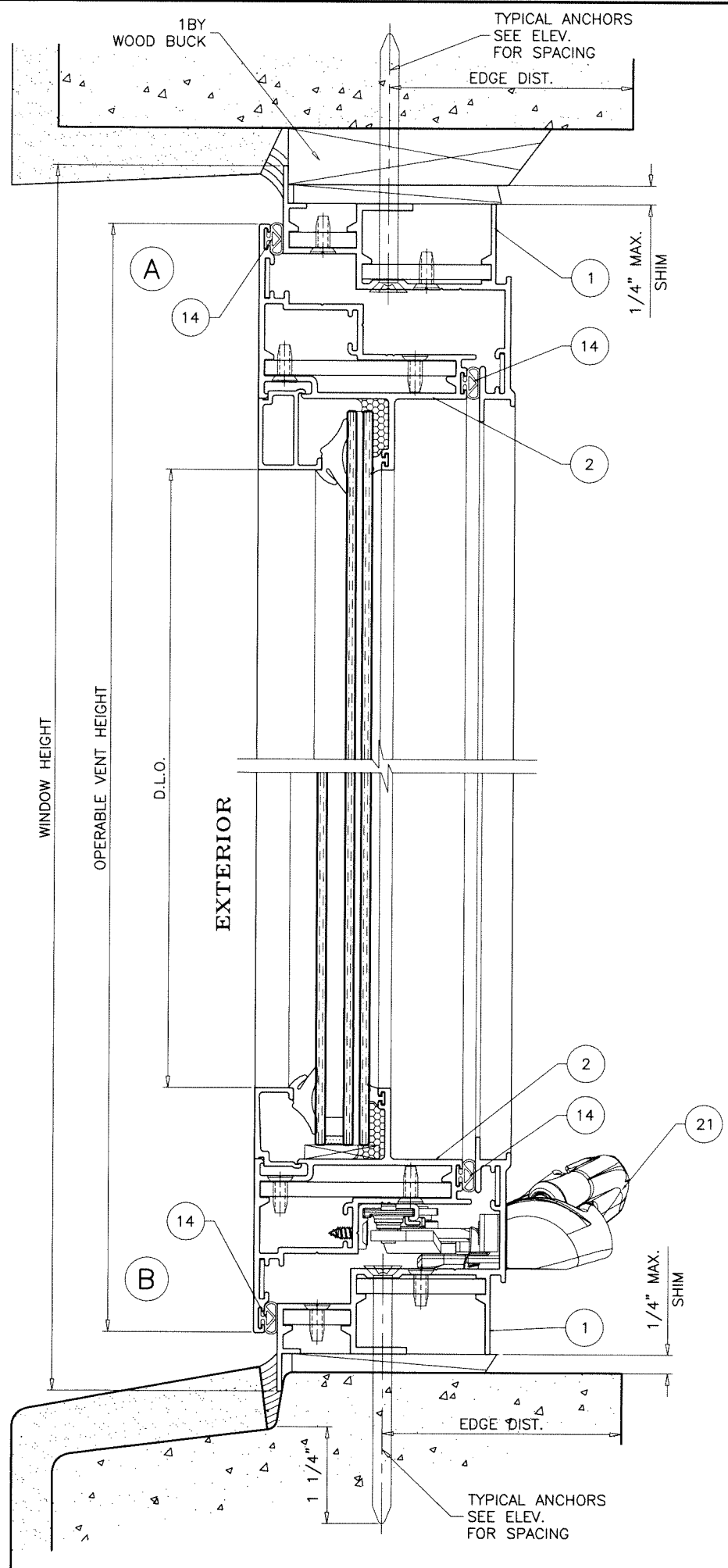
FL #29675



af c
AL-FAROOQ CORPORATION
ENGINEERS & PRODUCT DEVELOPMENT
9360 SUNSET DRIVE, SUITE 220
MIAMI, FLORIDA 33173 (C.A.N. 3538)
TEL. (305) 264-8100 FAX. (305) 262-6978
COMP-ANL\19-44F-MG

SERIES 600 ALUMINUM AWNING WINDOW (L.M.I.)
MR-GLASS DOORS & WINDOWS MANUFACTURING, LLC
8051 N.W. 79th Place
Medley, FL. 33166
Tel. (305) 764-3963 Fax. (305) 470-8285

revisions:	no	date	by	description
date:	05-16-19			
scale:	-			
dr. by:	TARIQ			
chk. by:				
drawing no.	19-44F			
sheet	5 of 13			



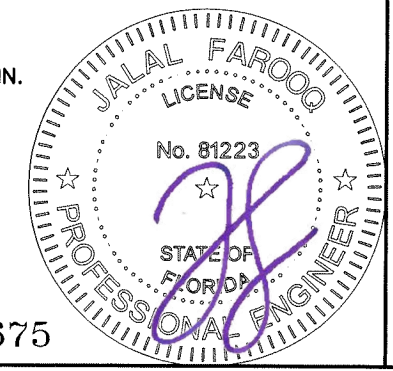
WOOD BUCKS AND METAL STRUCTURE NOT BY MR-GLASS MUST SUSTAIN LOADS IMPOSED BY GLAZING SYSTEM AND TRANSFER THEM TO THE BUILDING STRUCTURE.

TYPICAL ANCHORS: SEE ELEV. FOR SPACING
5/16" DIA. ULTRACON BY 'DEWALT' (Fu=177 KSI, Fy=155 KSI)
 INTO 2BY WOOD BUCKS OR WOOD STRUCTURES
 1-1/2" MIN. PENETRATION INTO WOOD (HEAD/SILL/JAMBS)
 THRU 1BY BUCKS INTO CONC. OR BLOCKS
 1-1/4" MIN. EMBED INTO CONCRETE (HEAD/SILL/JAMBS)
 1-1/4" MIN. EMBED INTO BLOCKS (JAMBS)
 DIRECTLY INTO CONCRETE OR BLOCKS
 1-1/4" MIN. EMBED INTO CONCRETE (HEAD/SILL/JAMBS)
 1-3/4" MIN. EMBED INTO GROUT-FILLED BLOCKS (JAMBS)
5/16" DIA. TEKS OR SELF-DRILLING SCREWS (GRADE 5 CRS)
 INTO F.B.C. APPROVED MULLIONS
 AND
 INTO METAL STRUCTURES (HEAD/SILL/JAMBS)
 (3) THREADS MIN. TO EXTEND BEYOND METAL THICKNESS
 ALUMINUM: 1/8" THK. MIN. (6063-T5 MIN.)
 STEEL: 1/8" THK. MIN. (Fy = 36 KSI MIN.)
 (STEEL IN CONTACT WITH ALUMINUM TO BE PLATED OR PAINTED)
CRITICAL EDGE DISTANCE
 INTO CONCRETE AND BLOCKS = 2-1/2" MIN.
 INTO WOOD STRUCTURE = 1" MIN.
 INTO METAL STRUCTURE = 3/4" MIN.

WOOD AT HEAD, SILL OR JAMBS SG = 0.55 MIN.
 CONCRETE AT HEAD, SILL OR JAMBS f'c = 3000 PSI MIN.
 C-90 HOLLOW/FILLED BLOCK AT JAMBS f'm = 2000 PSI MIN.

Sealed: 7/26/2023

FL #29675



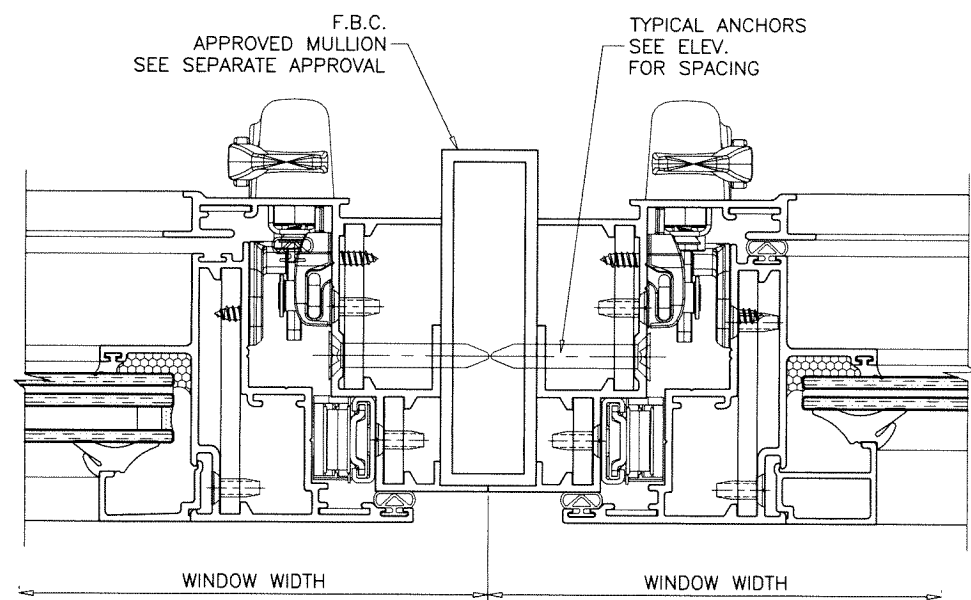
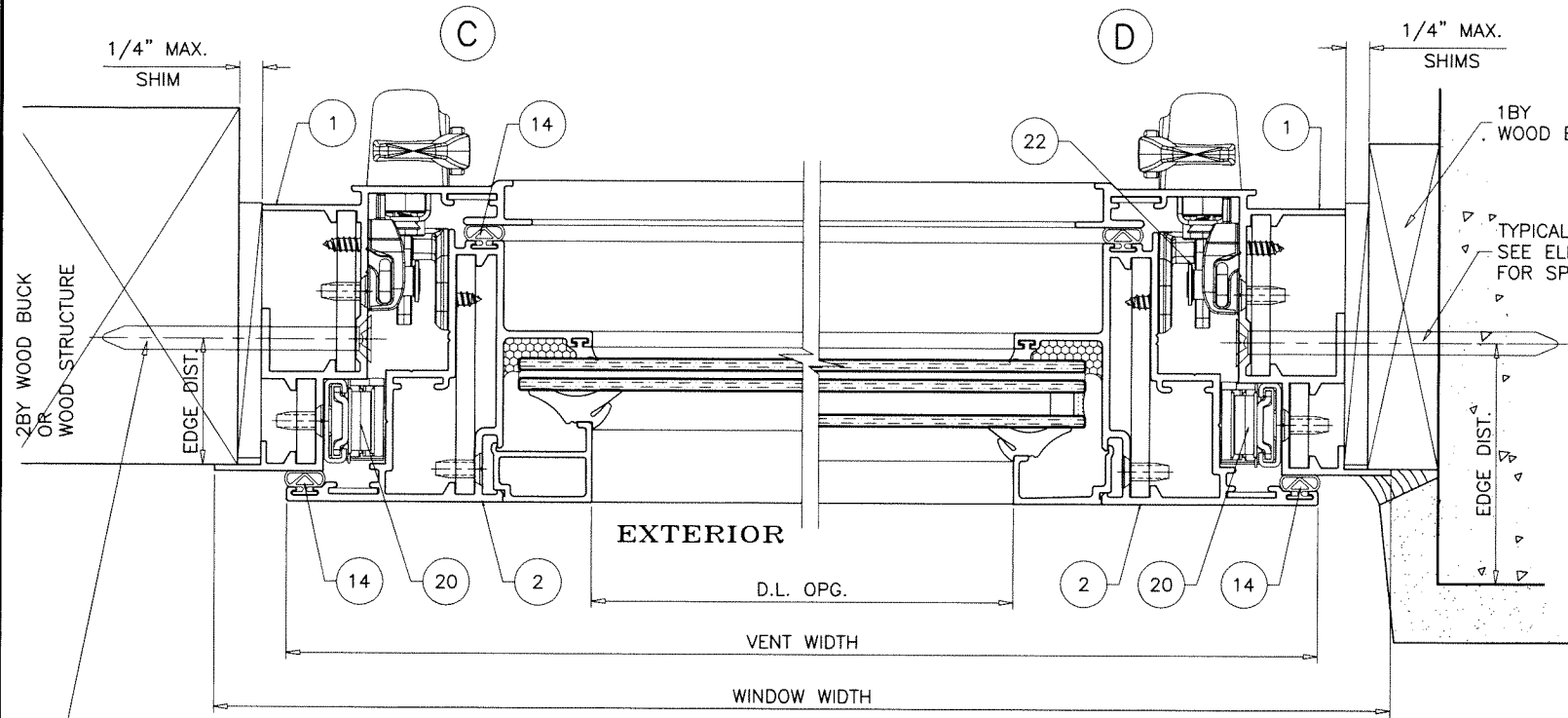
af c
AL-FAROOQ CORPORATION
 ENGINEERS & PRODUCT DEVELOPMENT
 9360 SUNSET DRIVE, SUITE 220
 MIAMI, FLORIDA 33173 (C.A.N. 3538)
 TEL. (305) 264-8100 FAX. (305) 262-6978
 COMP-ANL 19-44F-MG

SERIES 600 ALUMINUM AWNING WINDOW (L.M.I.)
MR-GLASS DOORS & WINDOWS MANUFACTURING, LLC
 8051 N.W. 79th Place
 Medley, FL. 33166
 Tel. (305) 764-3963 Fax. (305) 470-8285

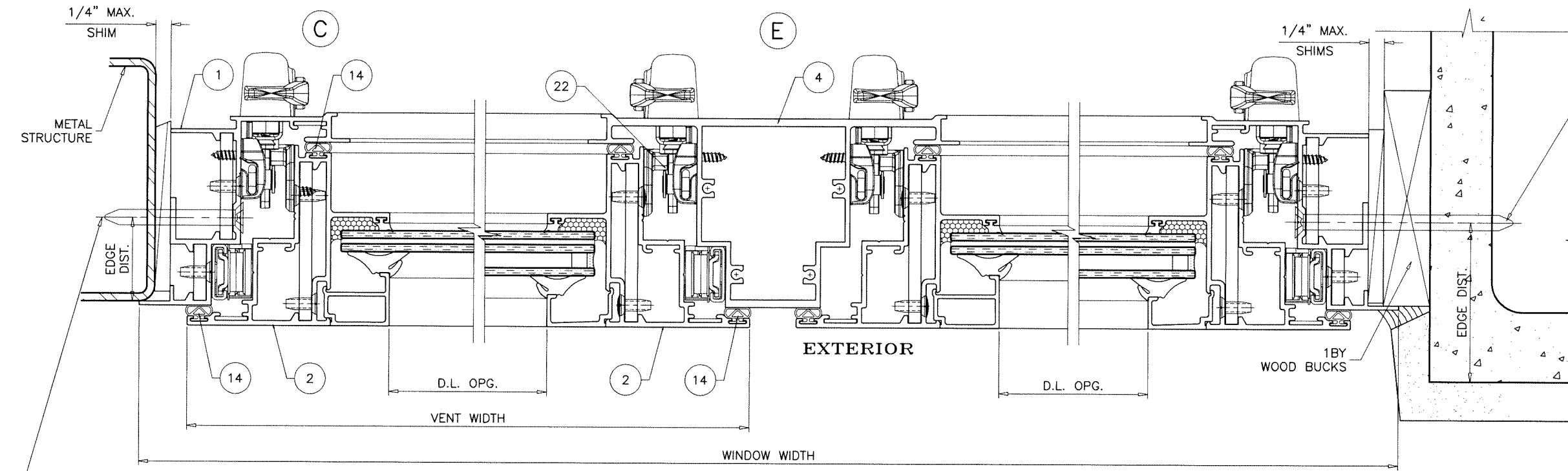
revisions:	no	date	by	description

date: 05-16-19
 scale: 1/2" = 1"
 dr. by: TARIQ
 chk. by:

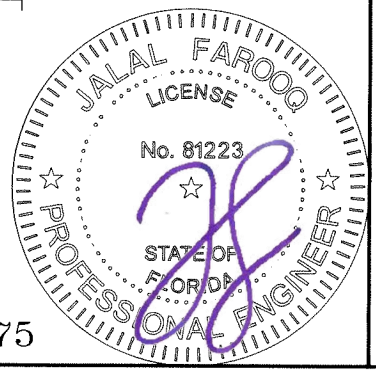
drawing no.
19-44F
 sheet 6 of 13



TYPICAL ANCHORS
SEE ELEV.
FOR SPACING



TYPICAL ANCHORS
SEE ELEV.
FOR SPACING



Sealed: 7/26/2023

FL #29675

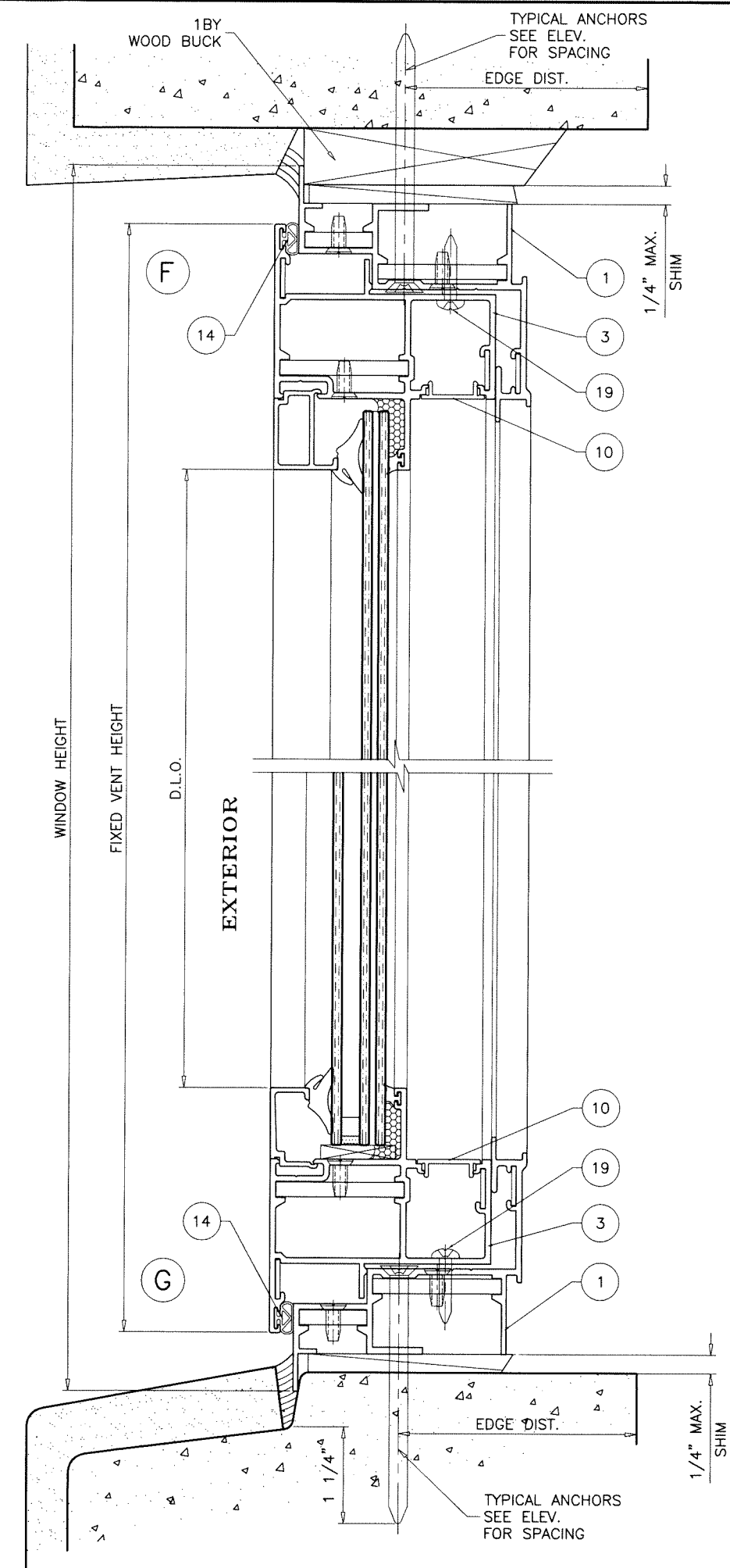
af c
AL-FAROOQ CORPORATION
 ENGINEERS & PRODUCT DEVELOPMENT
 9360 SUNSET DRIVE, SUITE 220
 MIAMI, FLORIDA 33173 (C.A.N. 3538)
 TEL. (305) 264-8100 FAX. (305) 262-6978
 COMP-ANL\19-44F-MG

SERIES 600 ALUMINUM AWNING WINDOW (L.M.I.)
MR-GLASS DOORS & WINDOWS MANUFACTURING, LLC
 8051 N.W. 79th Place
 Medley, FL. 33166
 Tel. (305) 764-3963 Fax. (305) 470-8285

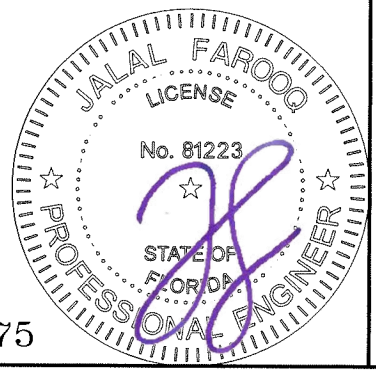
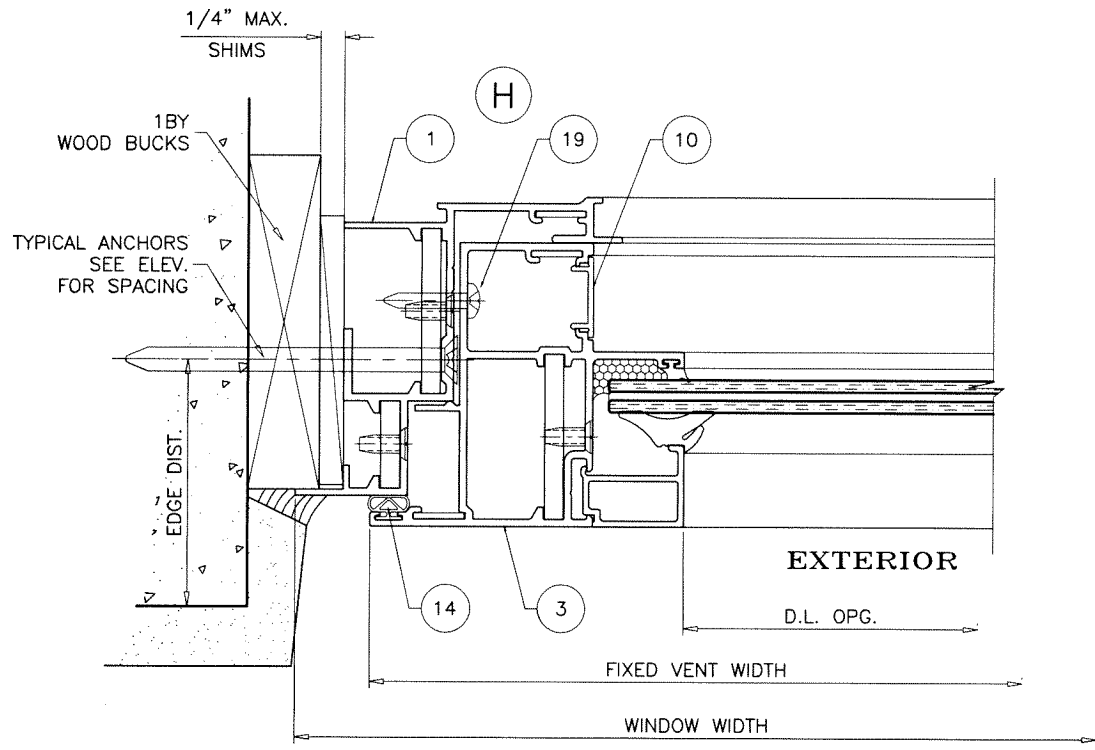
revisions:	no	date	by	description

date: 05-16-19
 scale: 1/2" = 1"
 dr. by: TARIQ
 chk. by:

drawing no.
19-44F
 sheet 7 of 13



FRAMES CAN BE USED AT ALL SUBSTRATES SHOWN ON SHEETS 6 AND 7.



Sealed: 7/26/2023

FL #29675

af c
AL-FAROOQ CORPORATION
 ENGINEERS & PRODUCT DEVELOPMENT
 9360 SUNSET DRIVE, SUITE 220
 MIAMI, FLORIDA 33173 (C.A.N. 3538)
 TEL. (305) 264-8100 FAX. (305) 262-6978
 COMP-ANL\19-44F-MG

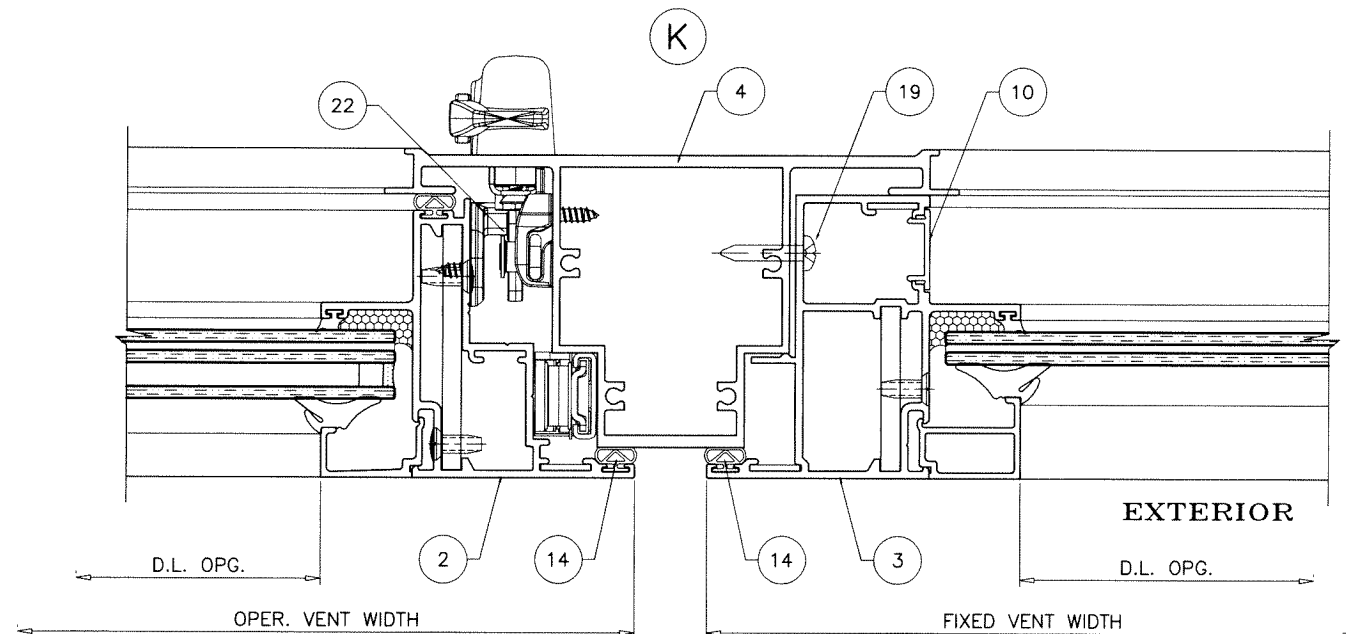
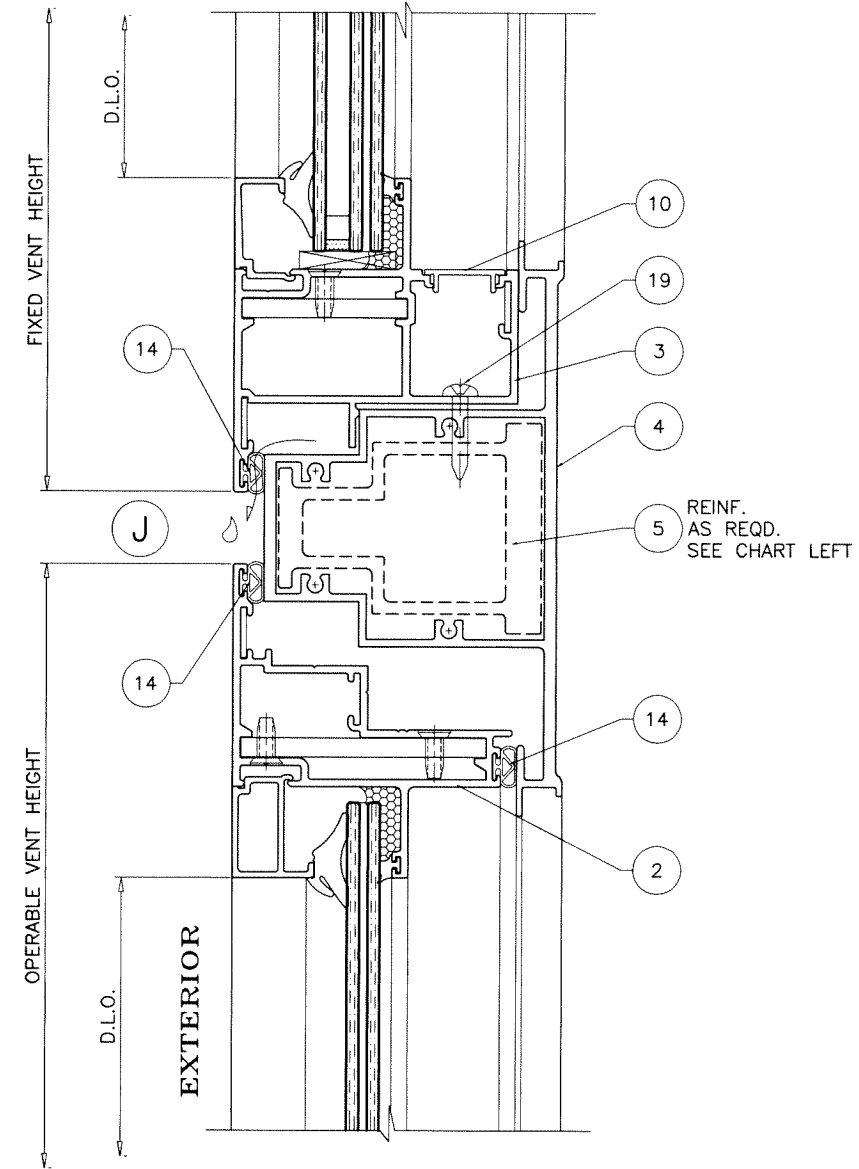
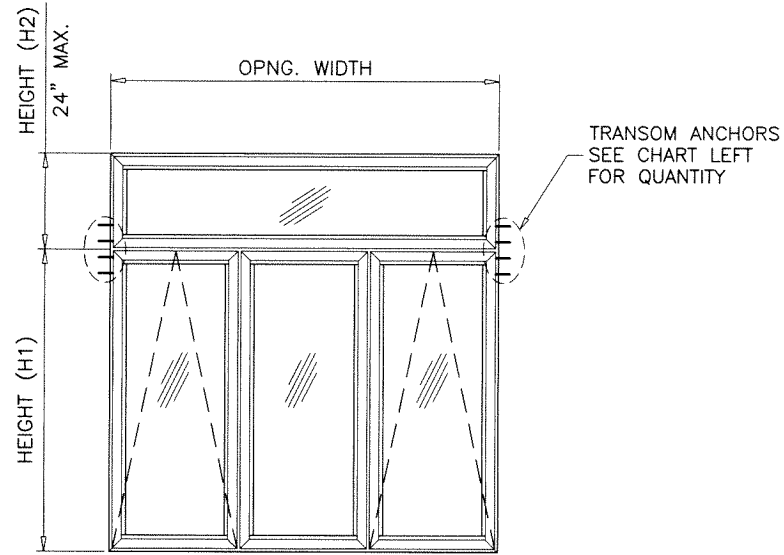
SERIES 600 ALUMINUM AWNING WINDOW (L.M.I.)
MR-GLASS DOORS & WINDOWS MANUFACTURING, LLC
 8051 N.W. 79th Place
 Medley, FL. 33166
 Tel. (305) 764-3963 Fax. (305) 470-8285

revisions:	
no	date by description

date: 05-16-19
 scale: 1/2" = 1"
 dr. by: TARIQ
 chk. by:

drawing no.
19-44F
 sheet 8 of 13

TRANSOM DESIGN LOAD CAPACITY					
NOMINAL DIMS.			WITHOUT REINF.	WITH REINF.	NO. OF ANCHORS AT TRANSOM ENDS
OPNG. WIDTH INCHES	HEIGHT (H1) INCHES	HEIGHT (H2) INCHES			
48	36	24	80.0	80.0	2
50			80.0	80.0	3
62			80.0	80.0	3
74			80.0	80.0	4
86			-	80.0	4
98			-	80.0	5
48	38-3/8	24	80.0	80.0	3
50			80.0	80.0	3
62			80.0	80.0	3
74			80.0	80.0	4
86			-	80.0	4
98			-	80.0	5
48	48	24	80.0	80.0	3
50			80.0	80.0	3
62			80.0	80.0	4
74			80.0	80.0	4
86			-	80.0	5
98			-	80.0	6
48	50-5/8	24	80.0	80.0	3
50			80.0	80.0	3
62			80.0	80.0	4
74			80.0	80.0	4
86			-	80.0	5
98			-	80.0	6
48	56	24	80.0	80.0	3
50			80.0	80.0	3
62			80.0	80.0	4
74			80.0	80.0	5
86			-	80.0	5
98			-	80.0	6
48	60	24	80.0	80.0	3
50			80.0	80.0	3
62			80.0	80.0	4
74			80.0	80.0	5
86			-	80.0	6
98			-	80.0	6
48	63	24	80.0	80.0	3
50			80.0	80.0	3
62			80.0	80.0	4
74			80.0	80.0	5
86			-	80.0	6
98			-	80.0	6
48	76	24	80.0	80.0	4
50			80.0	80.0	4
62			80.0	80.0	5
74			80.0	80.0	6



Sealed: 7/26/2023



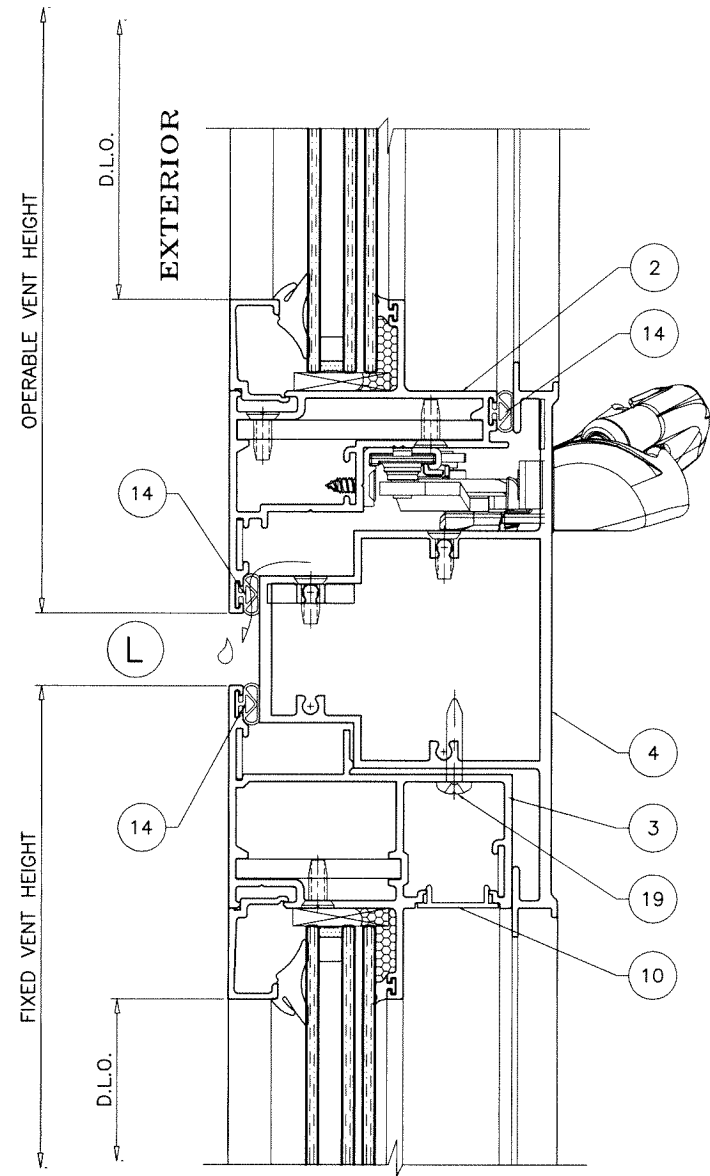
FL #29675

af c
AL-FAROOQ CORPORATION
 ENGINEERS & PRODUCT DEVELOPMENT
 9360 SUNSET DRIVE, SUITE 220
 MIAMI, FLORIDA 33173 (C.A.N. 3538)
 TEL. (305) 264-8100 FAX. (305) 262-6978
 COMP-ANL 19-44F-MG

SERIES 600 ALUMINUM AWNING WINDOW (L.M.I.)
MR-GLASS DOORS & WINDOWS MANUFACTURING, LLC
 8051 N.W. 79th Place
 Medley, FL 33166
 Tel. (305) 764-3963 Fax. (305) 470-8285

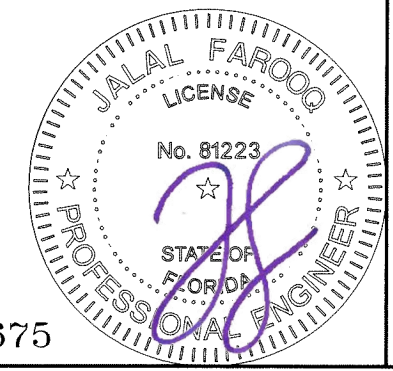
no.	date	description

date: 05-16-19
 scale: 1/2" = 1"
 dr. by: TARIQ
 ch. by:
 drawing no.
19-44F
 sheet 9 of 13



Sealed: 7/26/2023

FL #29675

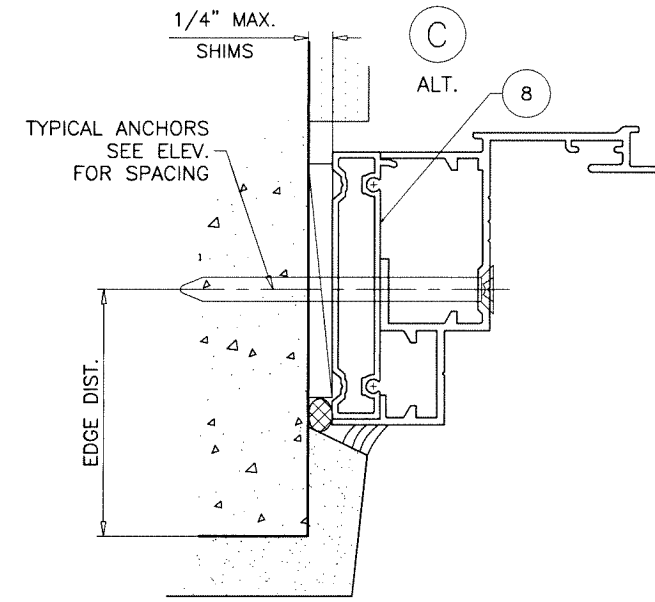
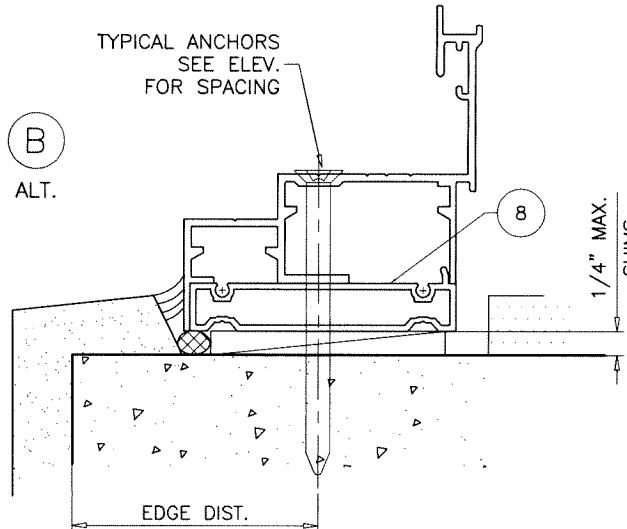
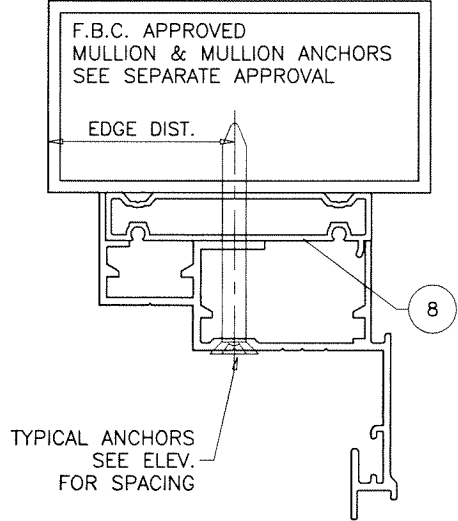
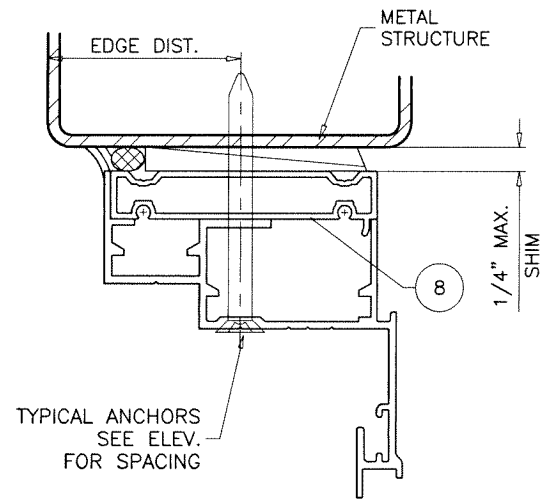
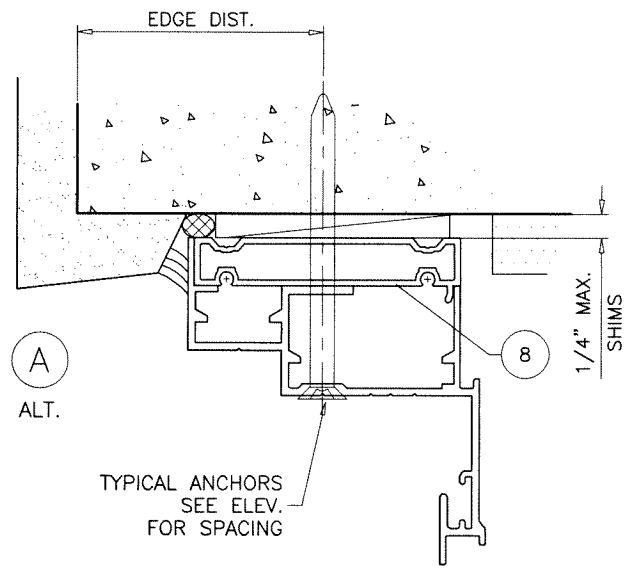


date: 05-16-19	revisions:
scale: 1/2" = 1"	no. date by description
dr. by: TARIQ	
chk. by:	

SERIES 600 ALUMINUM AWNING WINDOW (L.M.I.)
MR-GLASS DOORS & WINDOWS MANUFACTURING, LLC
 8051 N.W. 79th Place
 Medley, FL. 33166
 Tel. (305) 764-3963 Fax. (305) 470-8285

AL-FAROOQ CORPORATION
 ENGINEERS & PRODUCT DEVELOPMENT
 9360 SUNSET DRIVE, SUITE 220
 MIAMI, FLORIDA 33173 (C.A.N. 3536)
 TEL. (305) 264-8100 FAX. (305) 262-6978
 COMP-ANL\19-44F-MC

drawing no.
19-44F
 sheet 9.1 of 13



INSTALLATION DETAILS WITH FLUSH FRAME ADAPTER
SEE SHEETS 6 THRU 8 FOR WINDOW DETAILS

Sealed: 7/26/2023

FL #29675



afc
AL-FAROOQ CORPORATION
ENGINEERS & PRODUCT DEVELOPMENT
9360 SUNSET DRIVE, SUITE 220
MIAMI, FLORIDA 33173
TEL. (305) 264-8100 FAX. (305) 262-6978
COMP-ANL\19-44F-MG

SERIES 600 ALUMINUM AWNING WINDOW (L.M.I.)
MR-GLASS DOORS & WINDOWS MANUFACTURING, LLC
8051 N.W. 79th Place
Medley, FL. 33166
Tel. (305) 764-3963 Fax. (305) 470-8285

revisions:	
no.	date by description

date: 05-16-19	scale: 1/2" = 1"	dr. by: TARIQ	chk. by:
drawing no. 19-44F		sheet 10 of 13	

ITEM	PART #	QUANTITY	DESCRIPTION	MATERIAL	MANF./SUPPLIER/REMARKS
1	E-602	4/ WDW.	FRAME	6063-T6	--
2	E-601	4/ WDW.	OPERABLE VENT	6063-T6	--
3	E-604	4/ WDW.	FIXED VENT	6063-T6	--
4	E-603	AS REQD.	IMPOST	6063-T6	--
5	E-605	AS REQD.	IMPOST REINFORCING	6063-T6	--
6	E-9001	4/ LITE	GLAZING BEAD (LAM. GLASS)	6063-T6	--
7	E-9003	4/ LITE	GLAZING BEAD (INSUL. LAM. GLASS)	6063-T6	--
8	E-212	AS REQD.	FLUSH ADAPTER	6063-T6	--
9	E-2037	AS REQD.	CORNER KEY	6063-T6	--
10	E-1018	AS REQD.	FIXED VENT COVER	6063-T6	--
11	G-3001	AS REQD.	INTERIOR GLAZING GASKET	SANTOPRENE	--
12	G-601	AS REQD.	EXTERIOR GLAZING GASKET (5/16" & INSUL. GLASS)	EPDM	DUROMETER 70±5 SHORE A
13	G10-04	AS REQD.	EXTERIOR GLAZING GASKET (7/16" GLASS)	EPDM	DUROMETER 70±5 SHORE A
14	G-3005	AS REQD.	BULB W'STRIPPING	SANTOPRENE	--
15	G-602	2/ LITE	SETTING BLOCK	SILICONE	--
16	PJS45-SS	AS REQD.	CORNER GUIDE	ST. STEEL	--
17	#10 X 1/2"	AS REQD.	CORNER ASSEMBLY FASTENERS	ST. STEEL	FH SMS
18	#10 X 1-1/2"	AS REQD.	IMPOST ASSEMBLY FASTENERS	ST. STEEL	FH SMS
19	#10 X 1"	AS REQD.	FIXED VENT FASTENERS, AT 3" FROM ENDS & 13" O.C.	ST. STEEL	FH SMS
20	--	2/ VENT	HINGES	--	--
21	--	1/ VENT	OPERATOR	--	--
22	--	1/ VENT	MULTI POINT LOCK	--	--

SEALANT:

ALL JOINTS AND FRAME CONNECTIONS SEALED WITH DOWSIL 795 SEALANT.

LOCKS:

MULTI POINT LOCK SYSTEM BY 'INTERLOCK'
AT FRAME JAMB
LOCK OPERATOR AT 14" FROM SILL
FASTENED TO JAMBS WITH (2) #10 X 5/8" SMS.

LOCK BAR SECURED TO JAMB WITH 7 GUIDES
SPACED AT 10" O.C. MAX.
EACH GUIDE FASTENED WITH (3) #10 X 1/2" P FH SMS

4 NYLON KEEPERS AT VENT FACING LOCKING POINTS
SPACED AT 15" O.C. MAX.
EACH FASTENED WITH (2) #10 X 5/8" P FH SMS

HINGES:

'STROMB26' FRICTION HINGES BY 'SECURISTYLE'
LOCATED AT TOP AND BOTTOM CORNERS
FASTENED TO FRAME WITH (4) #10 X 1/2" P FH TC SCREWS
FASTENED TO VENT WITH (4) #10 X 1/2" P FH TC SCREWS

OPERATOR:

ST. STEEL NARROW ARM AWNING OPERATOR #C011-0453-085
BY 'INTERLOCK'
LOCATED AT SILL CENTER
FASTENED WITH (8) #10 X 1/2" P FH SS TC SCREWS
ARM TO SASH FASTENED WITH (4) #8 X 1/2" P FH SS TC SCREWS


SNUBBERS:

(2) 'ASD2' VECTOR SECURITY DEVICE BY 'SBC'
LOCATED AT TOP RAIL AT 9" FROM EACH END
EACH FASTENED WITH (2) #10 X 1/2" P FH SDS.

Sealed: 7/26/2023

FL #29675





AL-FAROOQ CORPORATION
 ENGINEERS & PRODUCT DEVELOPMENT
 9360 SUNSET DRIVE, SUITE 220
 MIAMI, FLORIDA 33173 (C.A.N. 3538)
 TEL. (305) 264-8100 FAX. (305) 262-6978
 COMP-ANL\19-44F-MG

SERIES 600 ALUMINUM AWNING WINDOW (L.M.I.)
MR-GLASS DOORS & WINDOWS MANUFACTURING, LLC
 8051 N.W. 79th Place
 Medley, FL. 33166
 Tel. (305) 764-3963 Fax. (305) 470-8285

revisions:					
no	date	by	description		

date: 05-16-19

scale: 1/2" = 1"

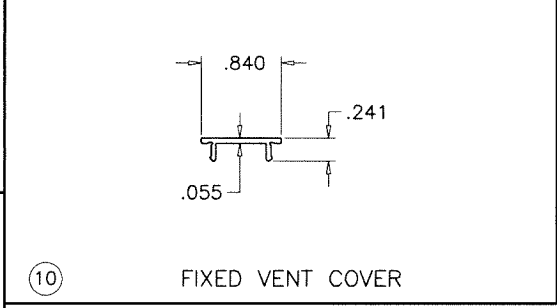
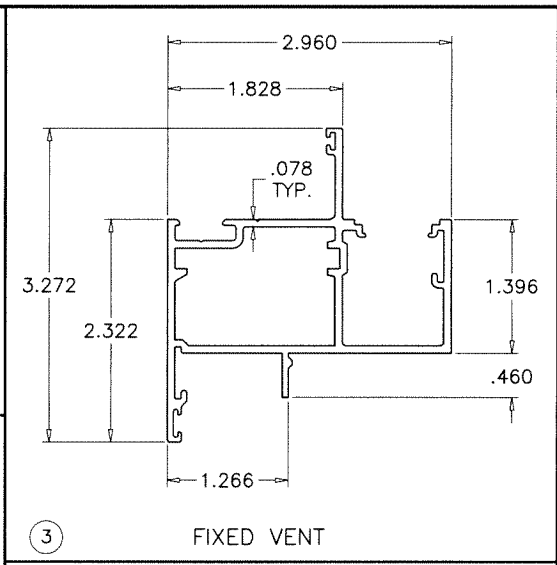
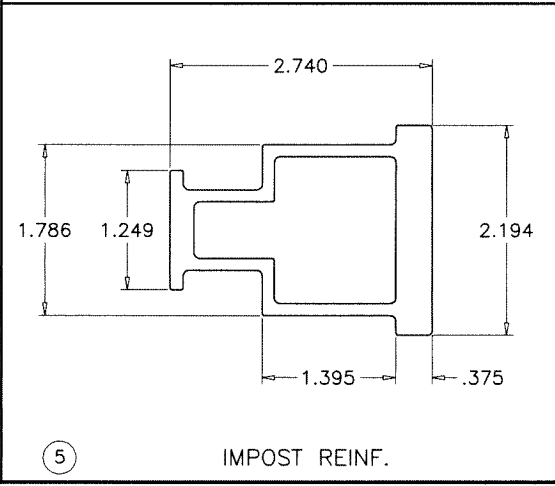
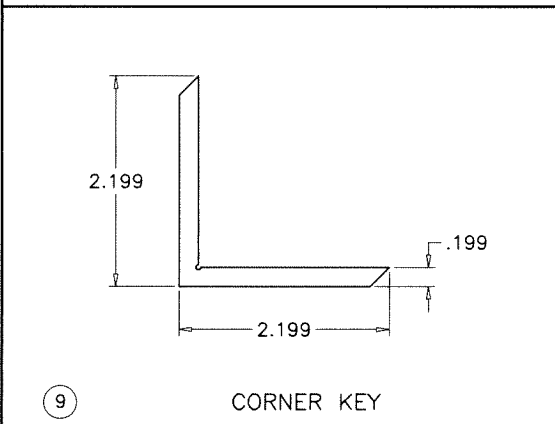
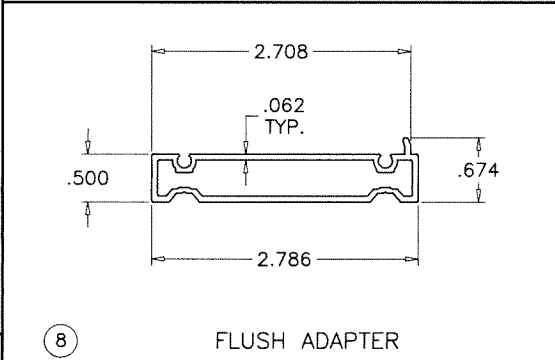
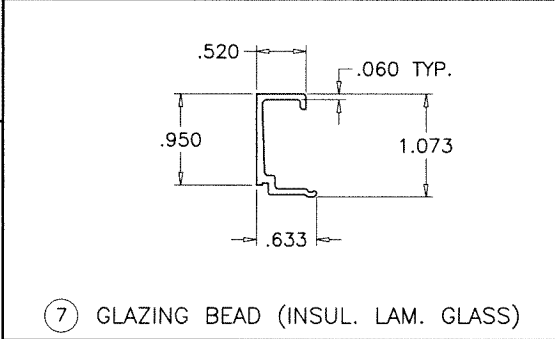
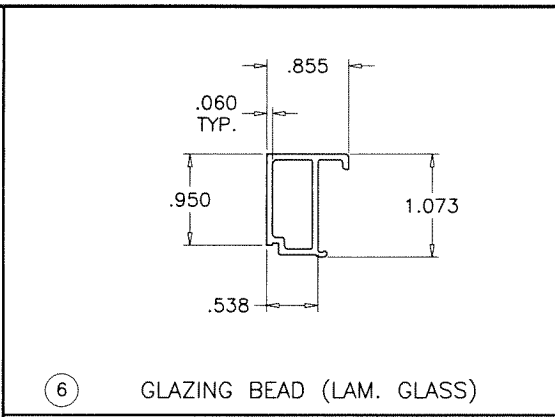
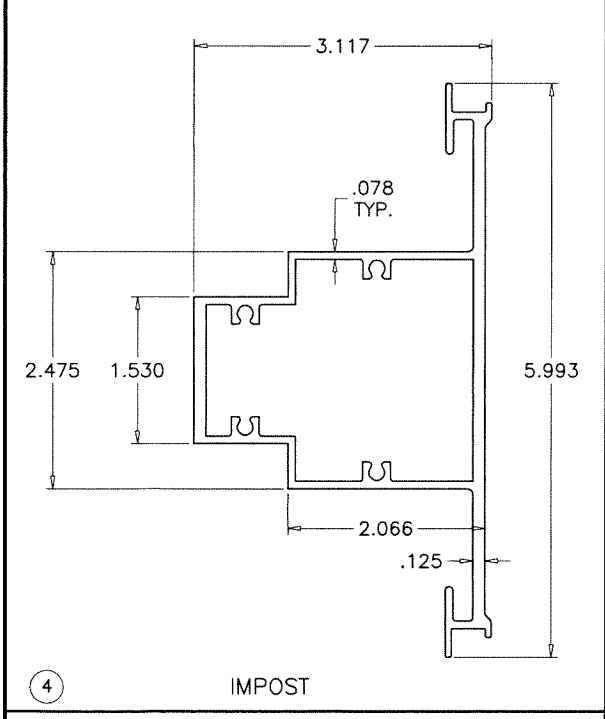
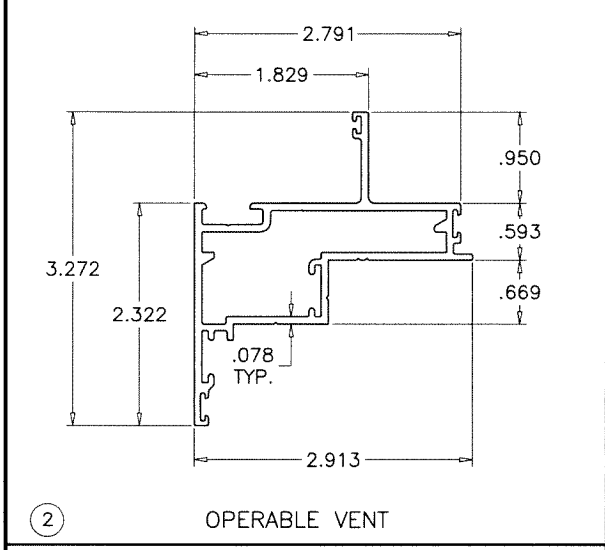
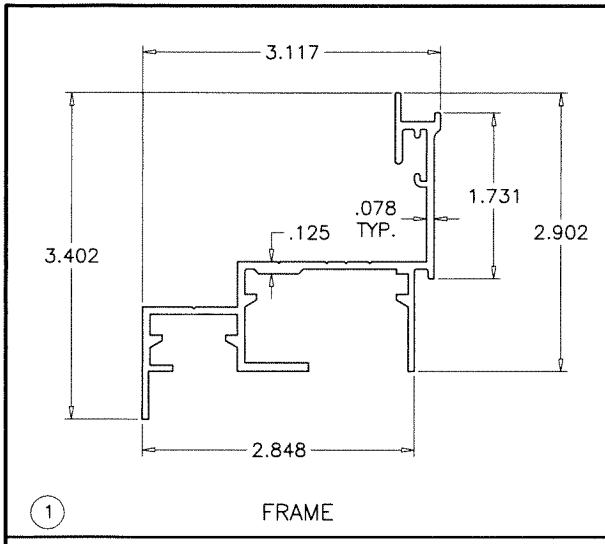
dr. by: TARIQ

chk. by:

drawing no.

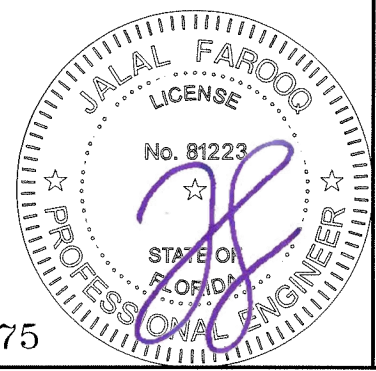
19-44F

sheet 11 of 13



Sealed: 7/26/2023

FL #29675



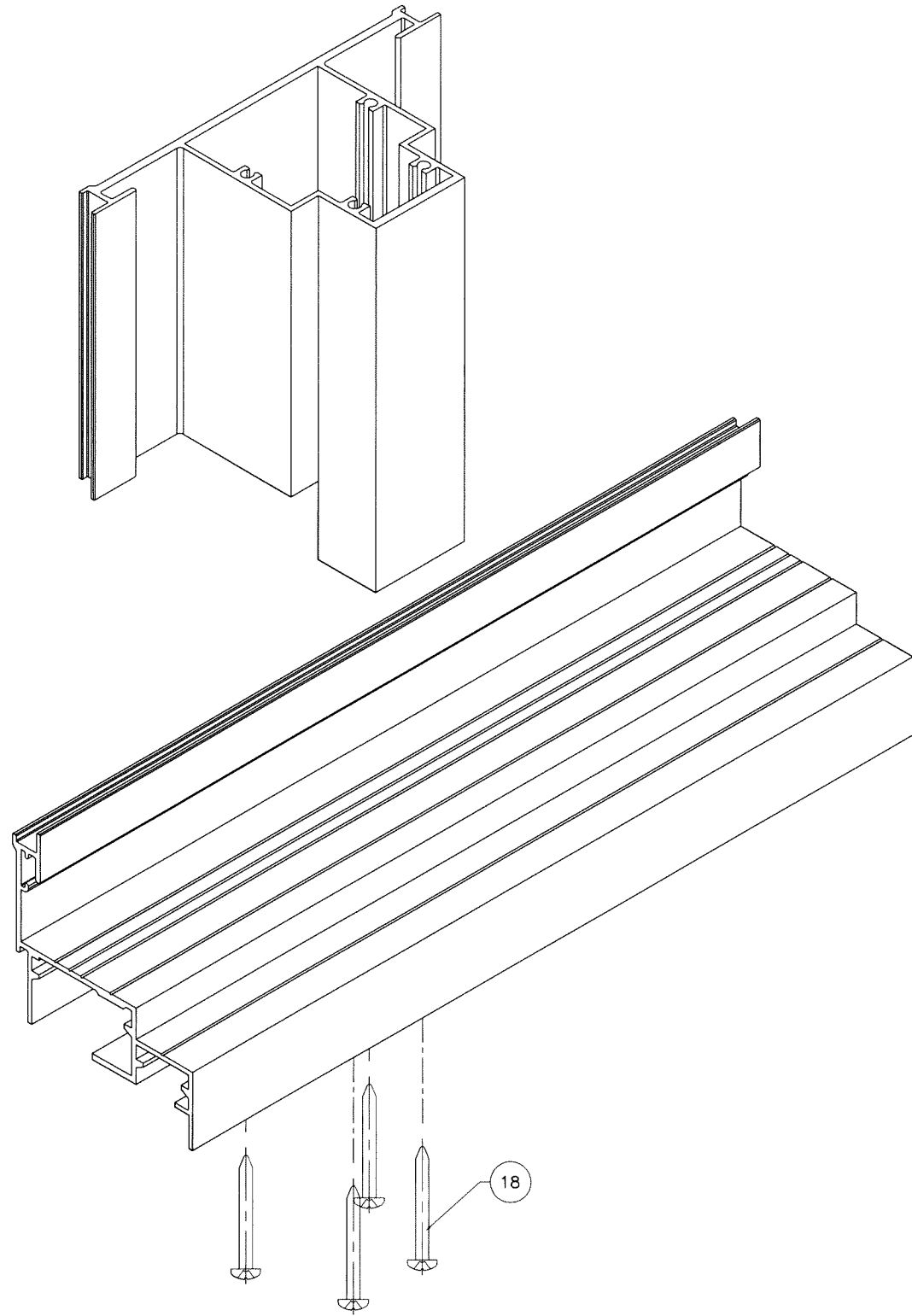
af c
AL-FAROOQ CORPORATION
 ENGINEERS & PRODUCT DEVELOPMENT
 9360 SUNSET DRIVE, SUITE 220
 MIAMI, FLORIDA 33173 (C.A.N. 3538)
 TEL. (305) 264-8100 FAX. (305) 262-6978
 COMP-ANL\19-44F-MG

SERIES 600 ALUMINUM AWNING WINDOW (L.M.I.)
MR-GLASS DOORS & WINDOWS MANUFACTURING, LLC
 8051 N.W. 79th Place
 Medley, FL. 33166
 Tel. (305) 764-3963 Fax. (305) 470-8285

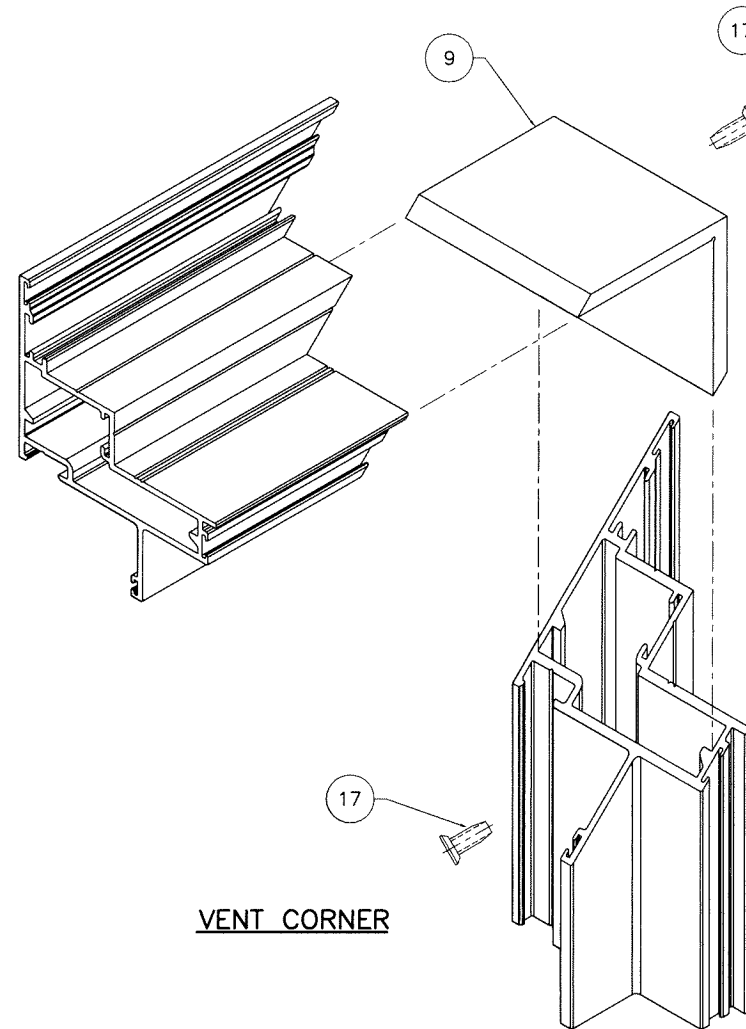
revisions:	no	date	by	description

date: 05-16-19
 scale: 1/2" = 1"
 dr. by: TARIQ
 chk. by:

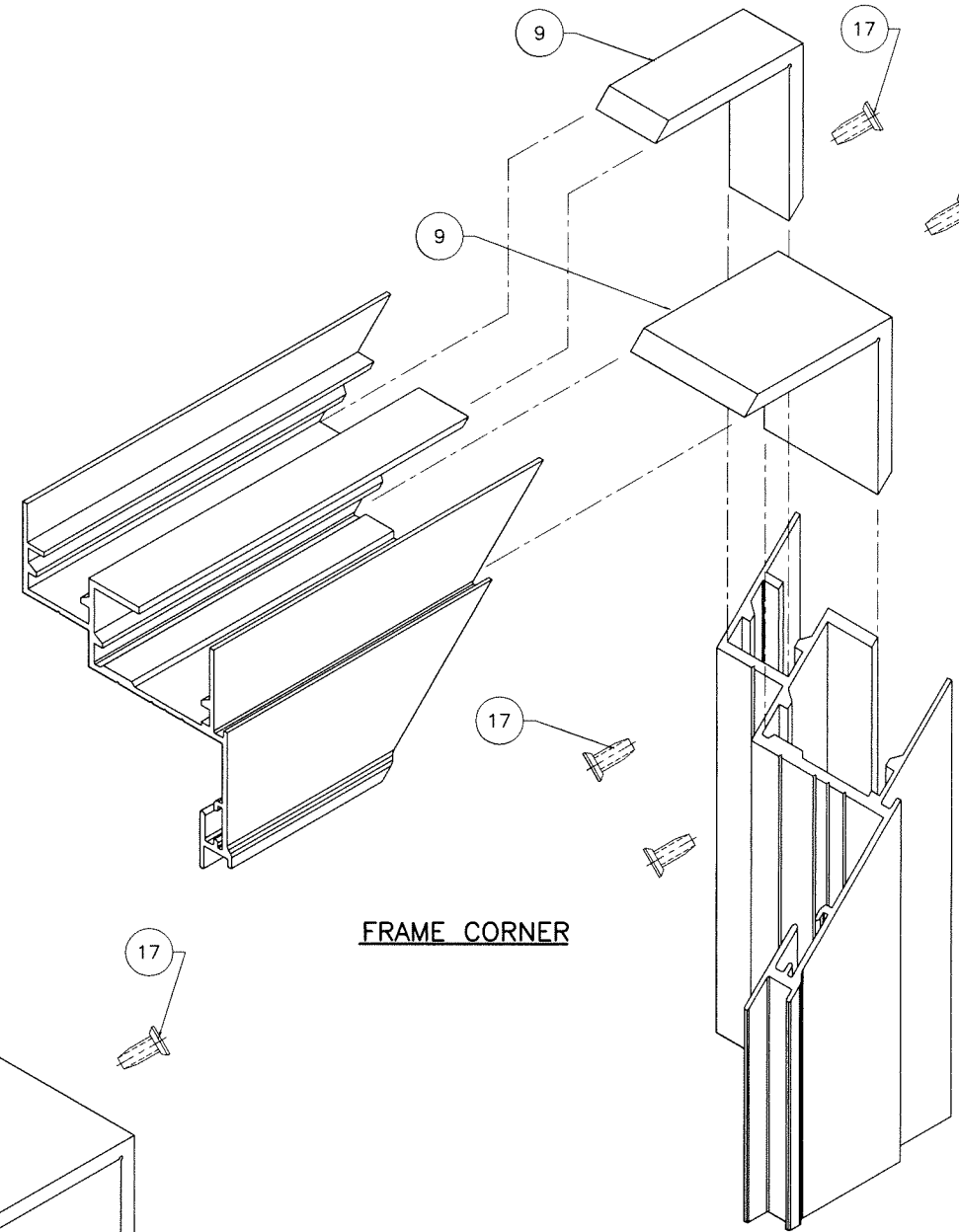
drawing no.
19-44F
 sheet 12 of 13



IMPOST CORNER



VENT CORNER



FRAME CORNER

Sealed: 7/26/2023

FL #29675

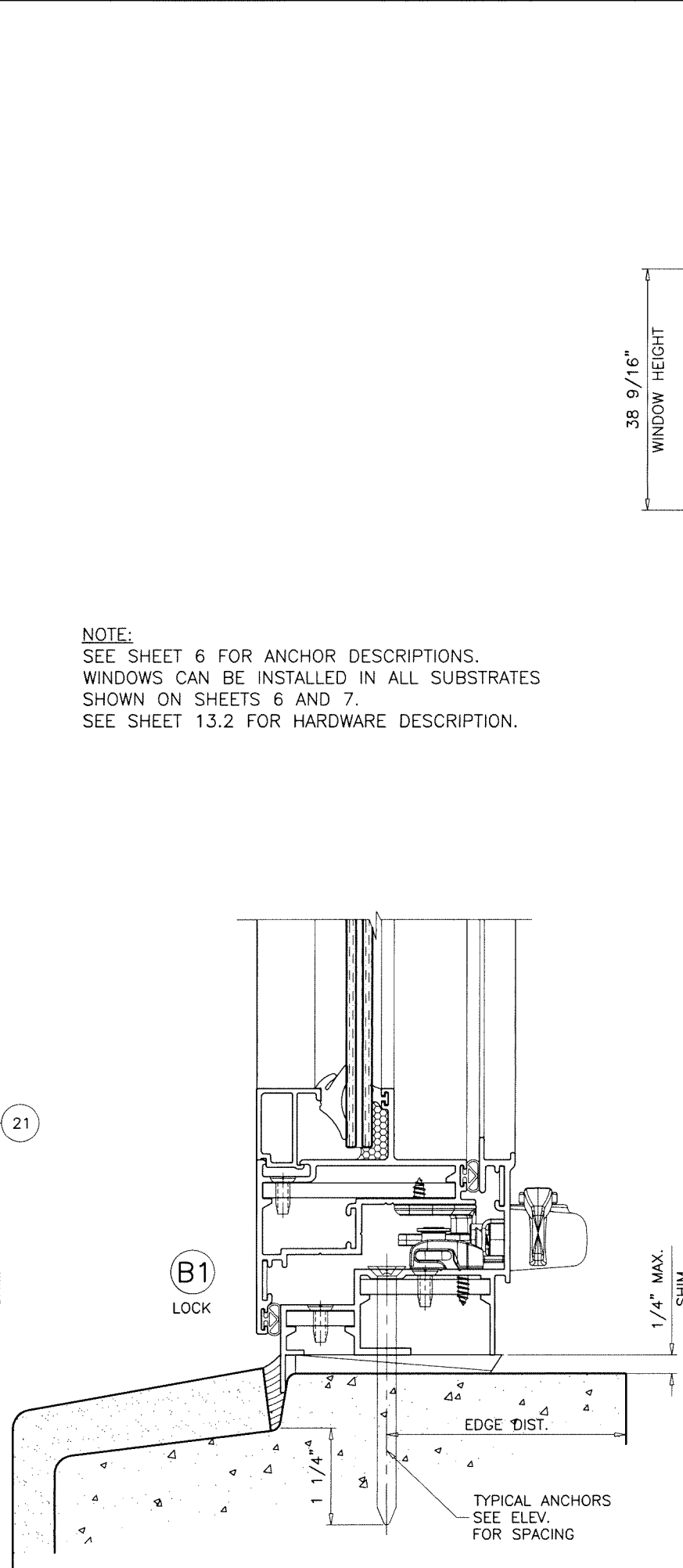
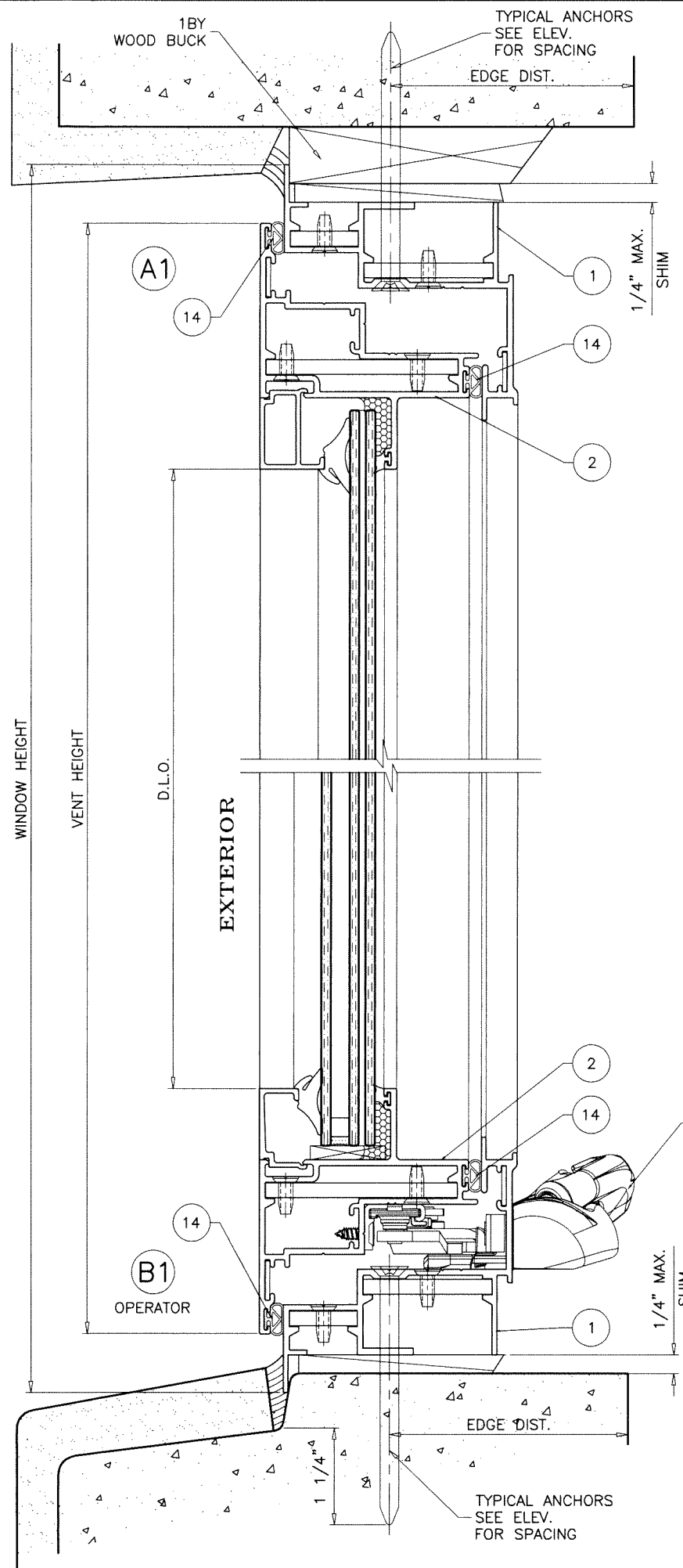


date: 05-16-19	scale: 1/2" = 1"	dr. by: TARIQ	chk. by:
revisions:	no	date	description

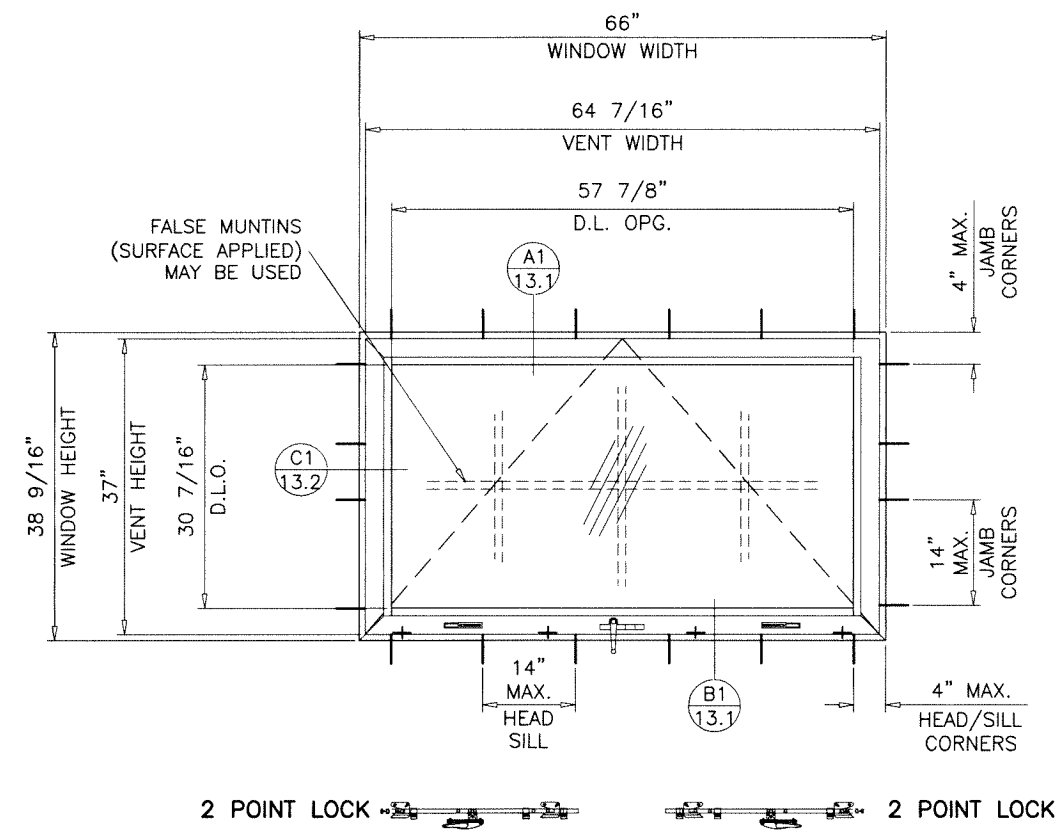
drawing no.
19-44F
sheet 13 of 13

af c
AL-FAROOQ CORPORATION
ENGINEERS & PRODUCT DEVELOPMENT
9360 SUNSET DRIVE, SUITE 220
MIAMI, FLORIDA 33173 (C.A.N. 3538)
TEL. (305) 264-8100 FAX. (305) 262-6978
COMP-ANL\19-44F-MG

SERIES 600 ALUMINUM AWNING WINDOW (L.M.I.)
MR-GLASS DOORS & WINDOWS MANUFACTURING, LLC
8051 N.W. 79th Place
Medley, FL. 33166
Tel. (305) 764-3963 Fax. (305) 470-8285



NOTE:
 SEE SHEET 6 FOR ANCHOR DESCRIPTIONS.
 WINDOWS CAN BE INSTALLED IN ALL SUBSTRATES
 SHOWN ON SHEETS 6 AND 7.
 SEE SHEET 13.2 FOR HARDWARE DESCRIPTION.



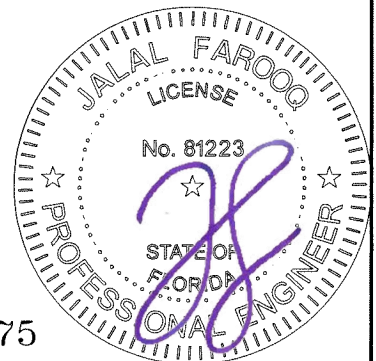
TYPICAL ELEVATION
 TESTED UNIT

DESIGN LOAD CAPACITY - PSF
 FOR AWNING WINDOW SHOWN ABOVE ONLY

FRAME DIMS.		GLASS TYPES 'A' & 'A1'		GLASS TYPE 'B'			
		4 LOCKING POINTS		4 LOCKING POINTS		6 LOCKING POINTS	
WIDTH	HEIGHT	EXT.(+)	INT.(-)	EXT.(+)	INT.(-)	EXT.(+)	INT.(-)
55\"/>							

Sealed: 7/26/2023

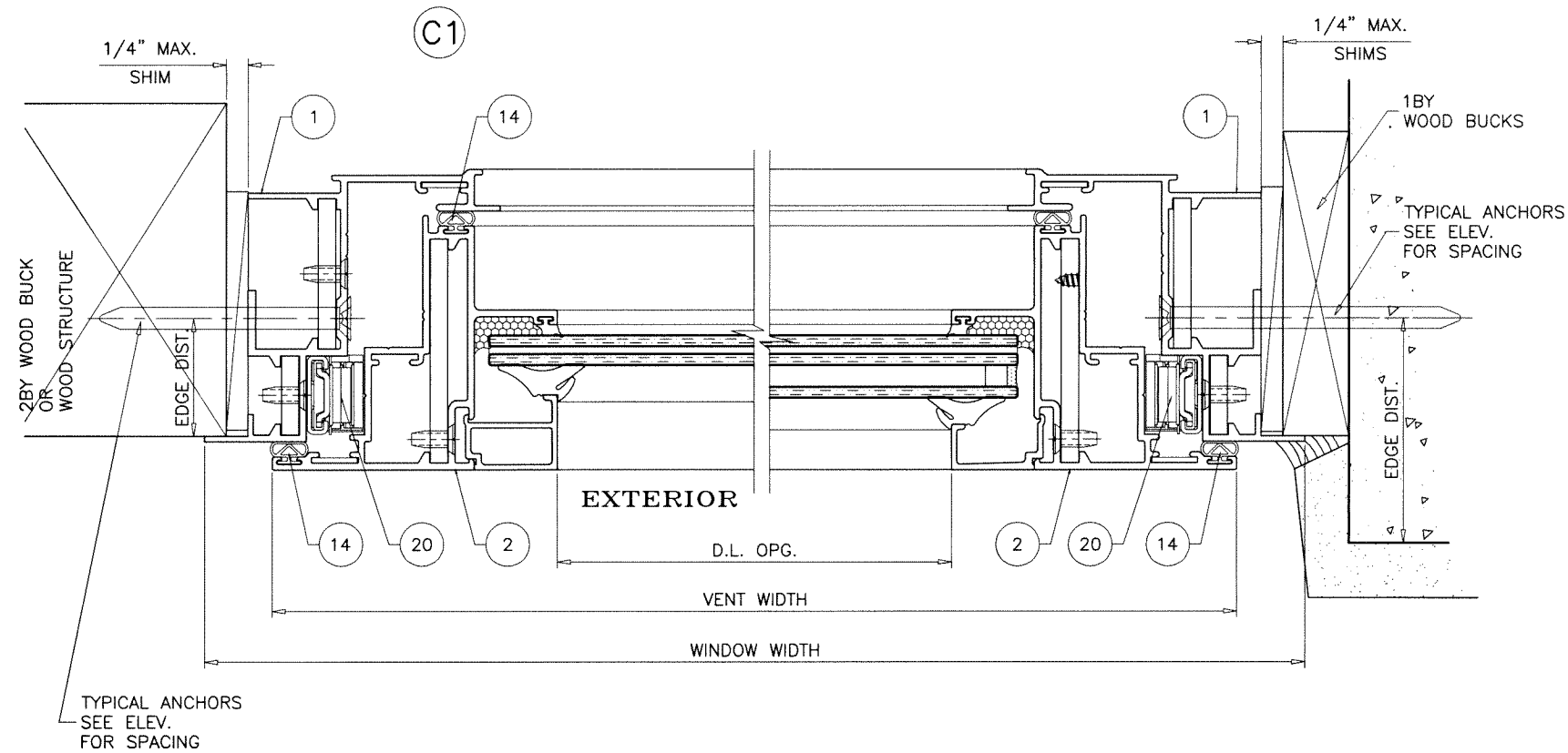
FL #29675



af c
AL-FAROOQ CORPORATION
 ENGINEERS & PRODUCT DEVELOPMENT
 9360 SUNSET DRIVE, SUITE 220
 MIAMI, FLORIDA 33173 (C.A.N. 3538)
 TEL. (305) 264-8100 FAX. (305) 262-6978
 COMP-ANL \ 19-44F-MG

SERIES 600 ALUMINUM AWNING WINDOW (L.M.I.)
MR-GLASS DOORS & WINDOWS MANUFACTURING, LLC
 8051 N.W. 79th Place
 Medley, FL. 33166
 Tel. (305) 764-3963 Fax. (305) 470-8285

revisions:	no.	date	by	description
date:	05-16-19	scale:	1/2" = 1"	
dr. by:	TARIQ	chk. by:		
drawing no.	19-44F			
sheet	13.1 of 13			



LOCKS:

OPTION #1
 MULTI POINT LOCKS BY 'INTERLOCK'
 AT FRAME SILL
 LOCK OPERATOR AT 12-1/2" FROM EACH JAMB
 FASTENED TO SILL WITH (2) #10 X 5/8" SMS.

LOCK BAR SECURED TO SILL WITH 4 GUIDES
 SPACED AT 10" O.C. MAX.
 EACH GUIDE FASTENED WITH (3) #10 X 1/2" P FH SMS

NYLON KEEPERS AT VENT FACING LOCKING POINTS
 SPACED AT 15" O.C. MAX.
 EACH FASTENED WITH (2) #10 X 5/8" P FH SMS

HINGES:

'STORMB16' FRICTION HINGES BY 'SECURISTYLE'
 LOCATED AT FRAME JAMB TOP CORNERS
 FASTENED TO FRAME WITH (3) #10 X 1/2" P FH SELF DRILLING SCREWS
 FASTENED TO VENT WITH (3) #10 X 1/2" P FH SELF DRILLING SCREWS

OPERATOR:

OPTION #1
 DUAL ARM ROTO OPERATOR #C001-0251 BY 'INTERLOCK'
 LOCATED AT MIDSPAN OF FRAME SILL
 FASTENED WITH (8) #8 X 1/2" P FH SMS

SNUBBERS:

'ASD2' VECTOR SECURITY DEVICE BY 'ASD' LOCATED AT
 FRAME HEAD AND TOP RAIL AT 11" FROM JAMBS
 EACH FASTENED WITH (2) #10 X 1/2" P FH SDS.

'CPB1' PULL IN BLOCK BY 'SECURISTYLE' LOCATED AT
 FRAME HEAD AND TOP RAIL AT MIDSPAN
 FASTENED WITH (2) #10 X 1/2" P FH SDS.

OPTION #2
 MULTI POINT LOCKS BY 'ROTO FRANK OF AMERICA'
 AT FRAME SILL
 LOCK OPERATOR AT 11-1/2" FROM EACH JAMB
 FASTENED TO SILL WITH (2) #10 X 5/8" SMS.

LOCK BAR SECURED TO SILL WITH 4 GUIDES
 SPACED AT 10" O.C. MAX.
 EACH GUIDE FASTENED WITH (3) #10 X 1/2" P FH SMS

ST. STEEL KEEPERS AT VENT FACING LOCKING POINTS
 SPACED AT 17" O.C. MAX.
 EACH FASTENED WITH (2) #10 X 5/8" P FH SMS

OPTION #2
 DUAL ARM ROTO OPERATOR #OP06-7785-AS BY
 'ROTO FRANK OF AMERICA'
 LOCATED AT MIDSPAN OF FRAME SILL
 FASTENED WITH (9) #8 X 1/2" P FH SMS

Sealed: 7/26/2023



FL #29675

af c
AL-FAROOQ CORPORATION
 ENGINEERS & PRODUCT DEVELOPMENT
 9360 SUNSET DRIVE, SUITE 220 (C.A.N. 3538)
 MIAMI, FLORIDA 33173
 TEL. (305) 264-8100 FAX. (305) 262-6978
 COMP-ANL \ 19-44F-MG

SERIES 600 ALUMINUM AWNING WINDOW (L.M.I.)
MR-GLASS DOORS & WINDOWS MANUFACTURING, LLC
 8051 N.W. 79th Place
 Medley, FL. 33166
 Tel. (305) 764-3963 Fax. (305) 470-8285

revisions:	no	date	description

date: 05-16-19
 scale: 1/2" = 1"
 dr. by: TARIQ
 chk. by:

drawing no.
19-44F

sheet 13.2 of 13