

INSTALLATION MANUAL

Series MG-1000 Sliding Glass Door





INDEX

INTRODUCTION	3	XX KD PACKAGE	18	OXXO PARTS	36
TYPES OF INSTALLATION	3	XX TRACK INSTRUCTIONS	19	OXXO TRACK INSTRUCTIONS	37
INSPECTION OF THE OPENING	4	XX PANEL INSTRUCTIONS	20	OXXO PANELS INSTRUCTIONS	38
WOOD BUCK INSTALLATION	5	XX COVERS INSTRUCTIONS	21	OXXO COVERS INSTRUCTIONS	39
FRAME ASSEMBLY	6	XX HANDLE		OXXO APLICATION	
UNPACKING THE DOOR	7	INSTALLATION INSTRUCTIONS	22	OF SILICONE INSTRUCTIONS	40
FRAME INSTALLATION	8	OXO PARTS	23	OXXO HANDLE	
TRACK AT SILL & SNAP COVER AT HEAD	9	OXO TRACK INSTRUCTIONS	24	INSTALLATION INSTRUCTIONS	41
PANEL INSTALLATION	10	OXO PANELS INSTRUCTIONS	25	POCKET DOOR INSTALLATION	42
COVERS AND GUTTER INSTALLATION	11	OXO FIX PANEL ATTACHMENT	26	XP AND PX PACKAGE	43
HANDLE AND LOCK INSTALLATION	11	OXO COVER INSTRUCTIONS	27	PXXP KD PACKAGE	44
SILL RAISER	11	OXO APLICATION		PXX AND XXP KD PACKAGE	45
XO AND OX KD PACKAGE	12	OF SILICONE INSTRUCTIONS	28	PXXXXP KD PACKAGE	46
XO AND OX TRACK INSTRUCTIONS	13	OXO HANDLE		CONFIGURATION TYPES	47
XO AND OX PANELS INSTRUCTIONS	14	INSTALLATION INSTRUCTIONS	29	PANEL TYPES	48
XO AND OX COVERS INSTRUCTIONS	15	XOX PARTS	30	ANCHORS	49
XO AND OX APLICATION		XOX TRACK INSTRUCTIONS	31	DOOR CLEANING	50
OF SILICONE INSTRUCTIONS	16	XOX PANELS INSTRUCTIONS	32		
XO AND OX HANDLE		XOX COVERS INSTRUCTIONS	33		
INSTALLATION INSTRUCTIONS	17	XOX APLICATION			
		OF SILICONE INSTRUCTIONS	34		
		XOX HANDLE			
		INSTALLATION INSTRUCTIONS	35		





INTRODUCTION

These instructions are provided as a general guide for installation. The Florida Approval of the product (FL19092 LMI/SMI) should be used together with these instructions.

Only professionals and experienced installers should attempt to install these doors.

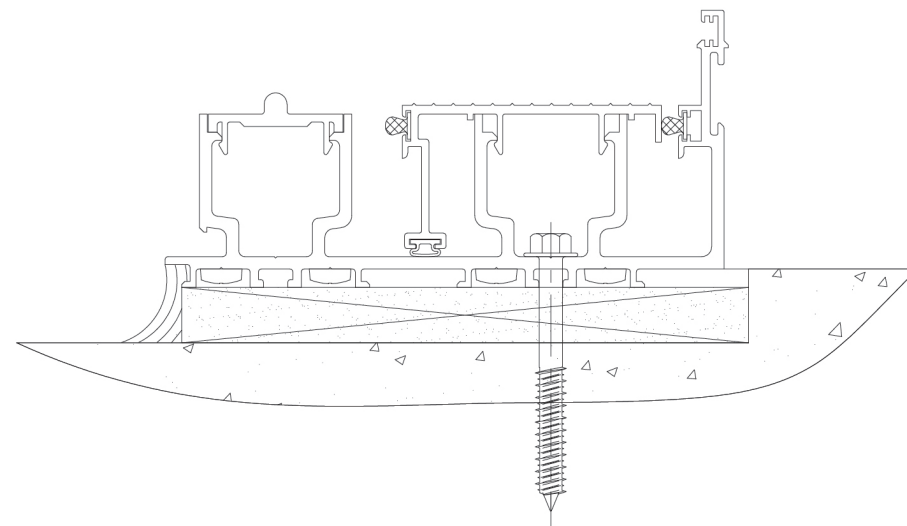
Read all instructions carefully. If in doubt contact Mr. Glass Doors and Windows. We will be happy to assist.

Select the required protection gear and take all necessary safety precautions depending on the type of installation. Specially those concerning working at heights.

TYPE OF INSTALLATION

Use the correct type of anchor depending on the substrate. Follow the instructions of the Florida Approval regarding edge distance, spacing and shimming space.

Apply silicone in the holes before inserting the anchors and on top of them. Once tightened make sure the frame is level and plumb.

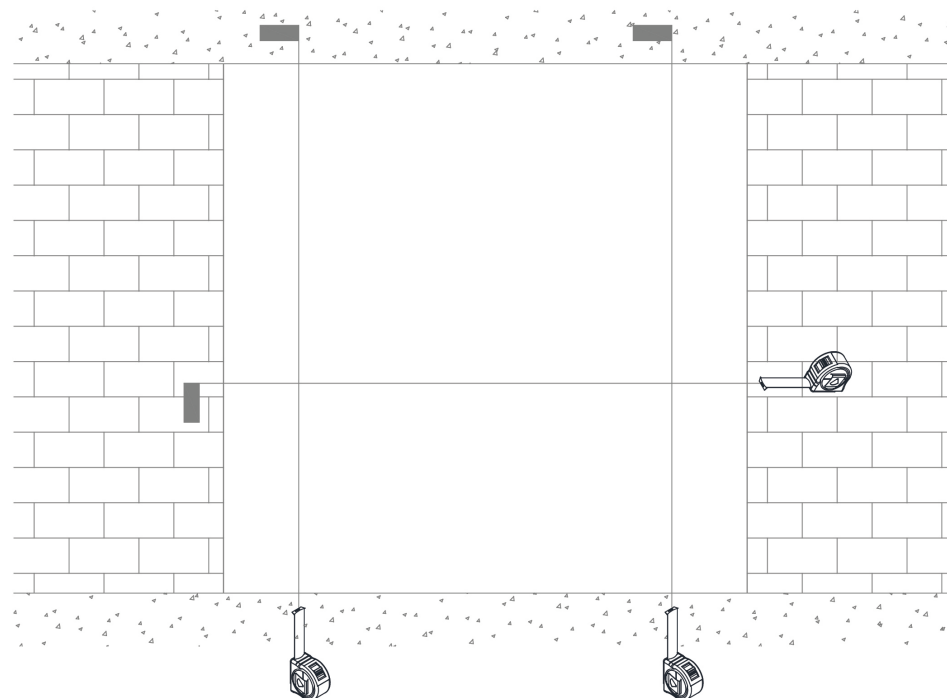




INSPECTION OF THE OPENING

This is the first step and must be executed regardless of the type of installation:

- A. Verify that the opening has the correct dimensions. That it is square, plumb and true. No more than 1/4" difference in square (diagonals) will be acceptable. The dimensions of height and width should be within 1/8" of the nominal opening dimension.
- B. In case of masonry openings check for cracks or missing mortar mainly in the sill that may eventually allow water and humidity migration. Clean any residue of mortar. Any defect should be addressed and corrected by the trade responsible for the opening.
- C. Mr. Glass recommends the sill have a slope to direct the water out of the building. No openings with inverted slope should be accepted. That will compromise the correct drainage and function of the window.
- D. Check the shop drawings and verify that the opening preparation follow the specifications.
- E. In case the installation is with wood buck, verify that a proper seal has been applied between the wood and the masonry. Also verify that the wood bucks touch each other and that they have been sealed to one another.
- F. The wood buck opening dimensions should be verified. It should be plumb, square and true. In case of detecting any defects do not install until the issue is corrected.

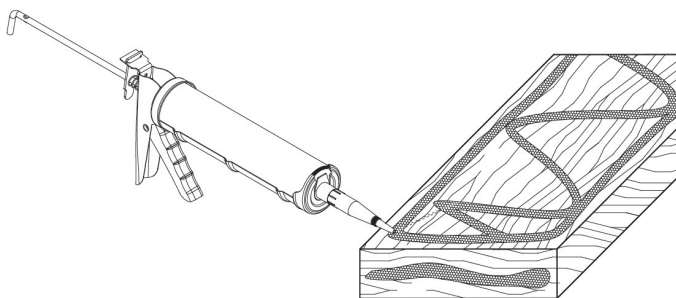




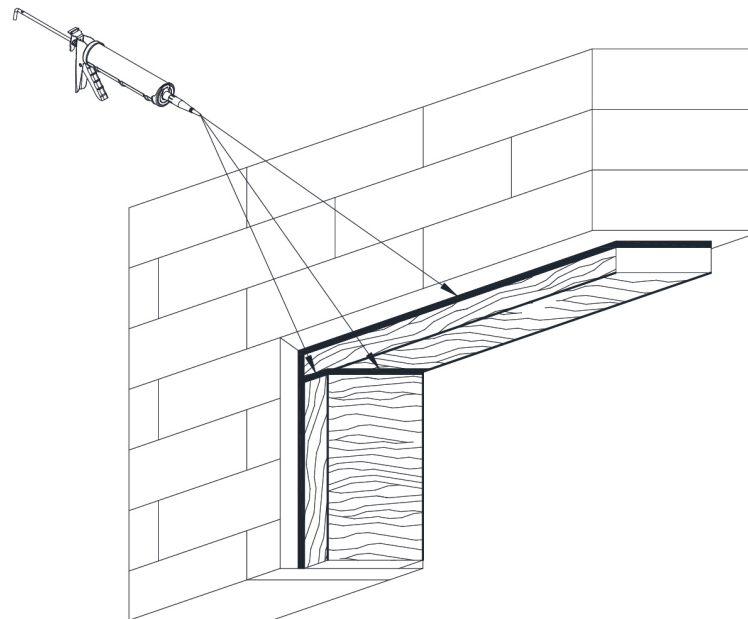
WOOD BUCK INSTALLATION

In case the wood buck installation falls in the installers scope:

- A. Use only pressure treated wood buck of appropriate dimensions.
- B. The wood buck should be attached to the masonry independently of the window. Quantity and anchor disposition will be according to the engineer's or shop drawings' specifications.
- C. Prior to installation of the buck apply a 3/8" bead of silicone on the face of the wood buck around the entire perimeter (see figure 3) This seal will be smashed to the masonry opening when the wood buck is applied to it.



- D. When installing the bucks, make sure that they align with the concrete sill (if it is the case) creating a continuous, planar mounting surface for the flanges.
- E. Once the bucks are attached to the masonry apply a bead of silicone to the exterior perimeter between the wood, the masonry, and into the joinery between the end of the bucks. Tool the sealant ensuring its continuity.



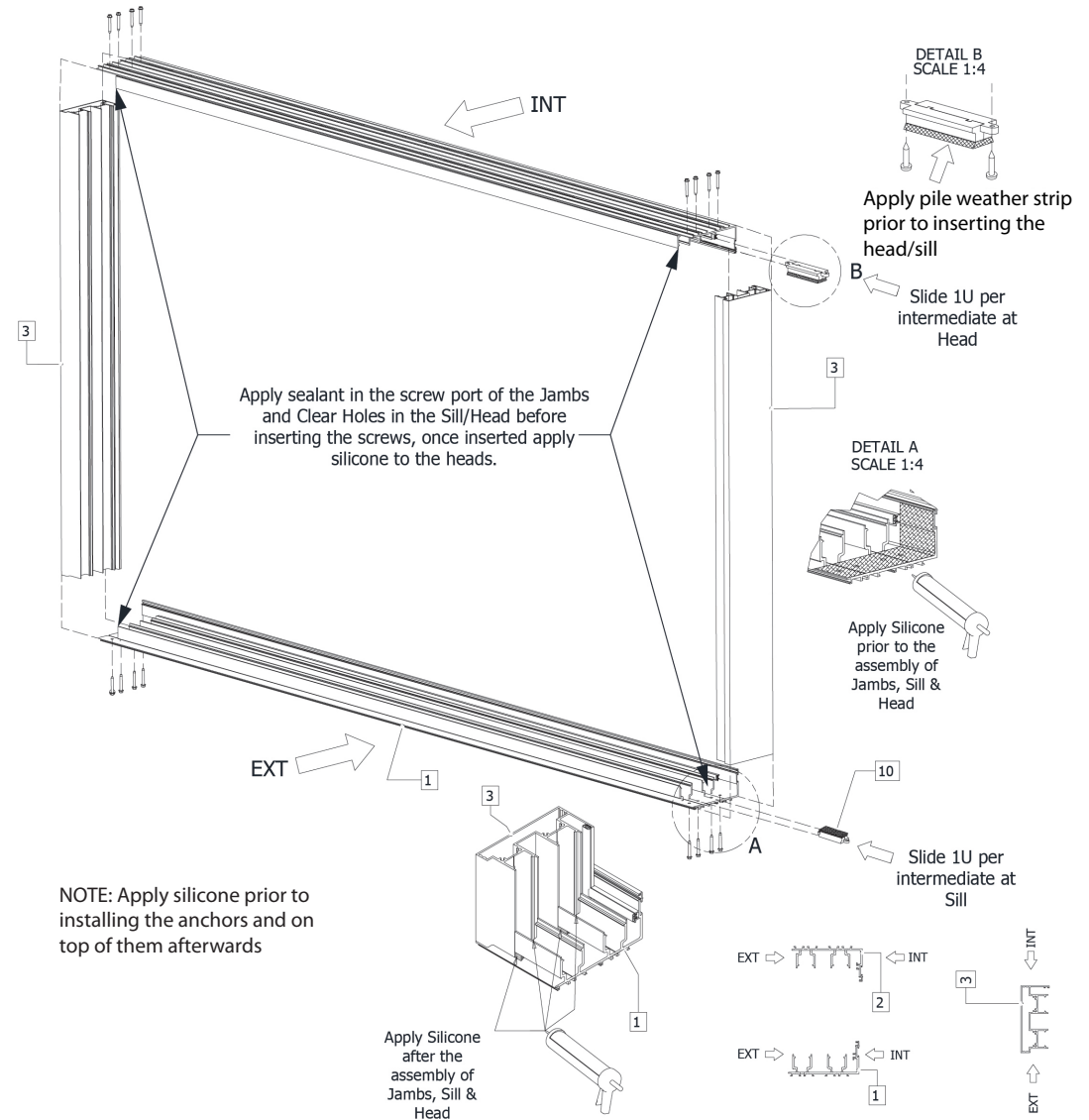
- F. The wood buck opening dimensions should be verified. It should be plumb, square and true. In case of detecting any defects do not install until the issue is corrected.





FRAME ASSEMBLY

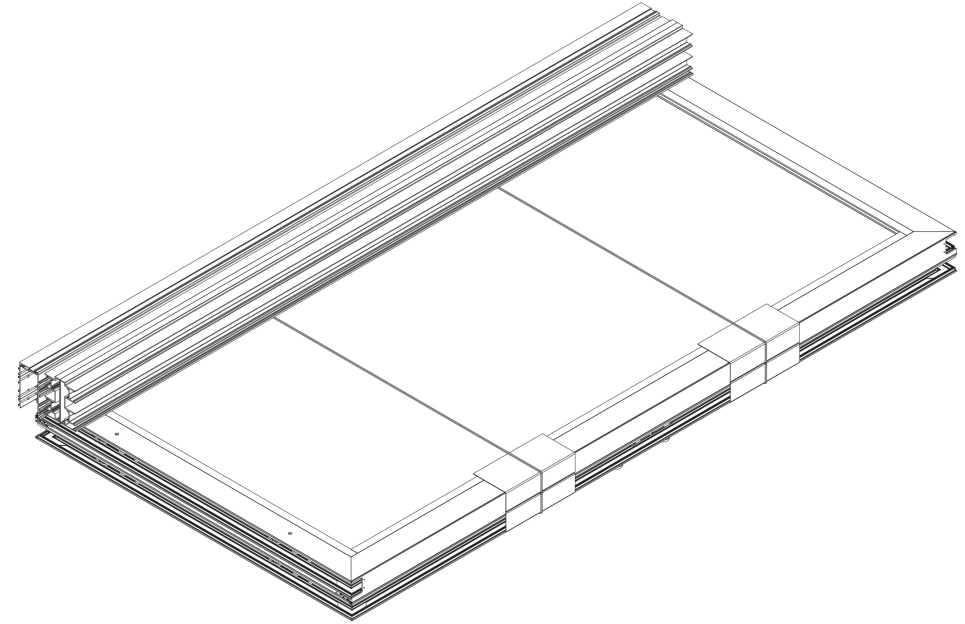
- A. The frame assembly is a critical part of the installation process. Understand that 90% of leaks in a sliding doors occur due to an improper frame assembly.
- B. In the MG1000 the jambs go between sill and head. See sketch below. Make sure that the joinery between sill and jambs is perfect. The jams will sit on a silicone bead applied to the sill.
- C. Prior to assembling the frame make sure that the SEAL BRIDGE has been inserted in head and sill. The qty and location depending on the configuration. Consult pages 47 & 48. They are located on top and bottom of each interlock.





UNPACKING THE DOOR

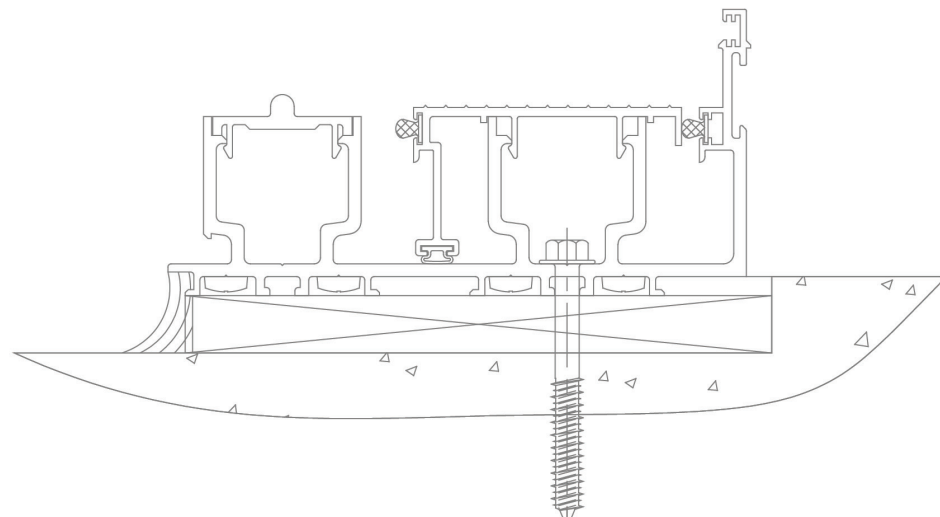
- A. In case of a retrofit: Before removing any existing door verify that the new door corresponds to the specifications of the project in type, dimensions, and that they match the opening size.
- B. Carefully remove the straps and cardboard. Do not use sharp or puncturing objects that might damage the aluminum finish or the glass. The frame is delivered in KD form. Consult the page that corresponds with your configuration and verify that you are receiving everything as described
- C. Separate and store the covers. The covers will not be installed until the anchor inspection has been completed successfully.
- D. The panels are labeled for easy of identification. Consult pages 47 & 48 to check the type of panels required for your configuration.





FRAME INSTALLATION

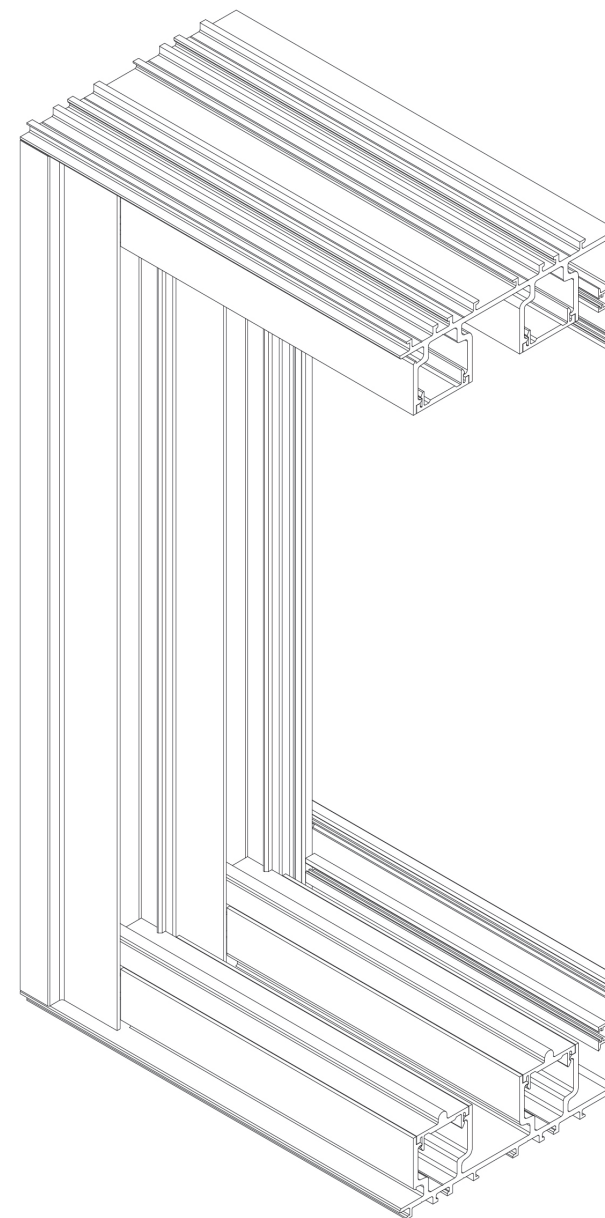
- A. The frame of the MG1000 series is extremely sturdy, which makes it heavy but at the same time easy to manipulate. Insert it in the opening and start by shimming at the bottom to define the height of the sill per project details.
- B. If the shimming space at the bottom is small (around 1/4") and the door is not very heavy (panels 48"x96" with 9/16" glass and less) the use of incompressible hard shims should be enough. They should be located at each anchor and between the anchor clusters (at sill only) at no more than 12" apart. For greater shimming space and heavier door panels pour non-shrink high strength grouting ($f_c \geq 5000$ psi) under the sill.
- C. Apply the anchors in the pre-drilled holes in the sill and head. Note that Mr. Glass provides the sliding door with clusters of 6 anchors at top and bottom of interlocks. At certain frame sizes and design pressures 8 anchors cluster at top may be required. Consult the Florida Approval and add anchors if needed. MG 1000 uses 5/16" Ultracon. The length required depends on the substrate, see next section. This sliding door does not require anchors at jambs up to 108" of frame height and / or 100 PSF of design pressure. Mr. Glass recommends installing an anchor directly behind the strike of the lock. For Frame height > 108" or 100 PSF of Design Pressure the jambs will be anchored. The holes are pre-drilled. Apply shims in each.
- D. Make sure to maintain the level, plumb and square. It is critical that the distance between the sill and the head measured at different points along the extrusions is the same. It is very common to see a "belly" at sill or head due to improper shimming. The distance between sill and head at the jamb should be kept all along the sliding doors. This ensures that an equal proper panel engagement is attained both at top and bottom.





TRACK AT SILL & SNAP COVER AT HEAD

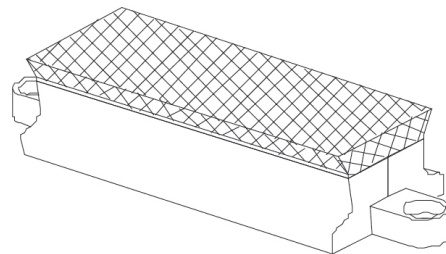
- A. The panels run on anodized tracks at sill. This track serves a cover for the anchors at the same time. Anchor Inspection should be already be passed before installing the tracks at sill and the covers at header.
- B. Snap the tracks and horizontal head covers in place. See each configuration for location.
- C. Apply sealant at the ends of tracks on the sill.





PANEL INSTALLATION

- A. Depending on the configuration of your door you will need a specific combination of panel types. Consult pages 47 and 48.
- B. You will receive the panels labeled for identification. All our panels fixed or mobiles are provided with rollers for easy of adjustment and installation. The bottom rail of the panel has access holes in the outside to reach the rollers.
- C. To insert the panels approach the frame from outside with the glass stops facing out. Tilt the panel back from the top and lift it inclined to engage the track above. Push the panel in from the bottom to reach the corresponding track below. Gently move it down to sit the roller on the track. Note that the configurations OXO and OXXO have one movable panel with an astragal. These panels are furnished with the astragal attached with only two self-drilling screws. The astragal must be removed to install the panel and then re-attached with the screws provided for it.
- D. The final location of the seal bridge that was inserted into the sill and head during assembly of the frame is right below and above each interlock. They prevent the panels from being lifted and removed from the outside with the door locked. To insert the panels in the frame these parts cannot be in its final location. Otherwise it is impossible to raise the panel to install it.
- E. Once the panels are in the final position move the Seal Bridge right under and above the interlocks. Fix it using the #10 screws provided in the KD kit. Inject silicone in the hole prior to inserting the screw and on top of the screw head after tightening.



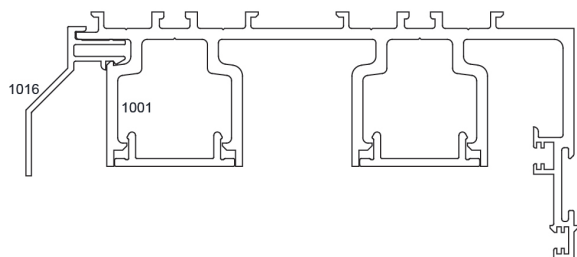
- F. When fixed panels are part of the configuration, they will be provided with a bumper that goes in the vertical stile facing the jambs. To set a fixed panel in position move it to the jamb until the bumper hits it.
- G. Use the rollers to adjust the height of the panels as well as level and alignment between them.
- H. Install the plastic guides (provided in the KD) on the back of the panels (2 per panel) The panels have pilot holes 1/8" to locate the guides. Use a 5/32" drill to pilot the #10 screw provided to fix the guides.
- I. The guides in the front of the panels are already placed inside the front vertical. Adjust the height of the guides (at head and sill) and fix it with the #10 screws provided in the KD.





COVERS AND GUTTER INSTALLATION

- Once the panels are adjusted and the guides and seal bridge installed, proceed to snap the vertical covers on the jambs as required according to the configuration
- Install the horizontal covers. Seal and tool the intersection between covers.
- Note that configuration XX does not use the same horizontal covers. Instead, they use drainage covers. See XX configuration, page 19.
- Gutter: The gutter (extrusion 1016) is provided precut and notched with the KD. Before sealing the perimeter snap it to the header.

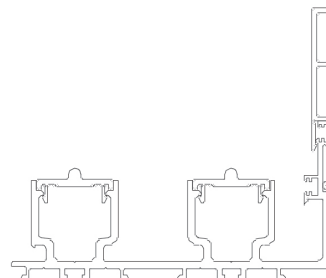


HANDLE AND LOCK INSTALLATION

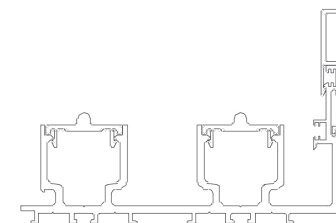
- To install the handle follow the instructions of the hardware manufacturer.
- The lock is already installed in the panel. The strike should be installed in the jamb. Strike and Lock need to be perfectly aligned in height. After a first adjustment to fix the strike you can adjust it up and down via fixing slots. Once in final position insert the fixing screw.
- The strike also allows also for certain adjustment in the direction of the panel to accommodate the distance to the jamb.

SILL RAISER

- MG1000 requires a sill raiser only in XX configuration for positive pressure > 70 PSF only. For positive pressures between 70 and 80 PSF, the 1" sill raiser is required (if the screen adapter is in use, no sill raiser is required) For more than 80 PSF and up to 120 PSF positive the 2" sill raiser is required
- Before inserting the sill raiser fill its cavity with silicone and snap it in place. Seal the ends to the jambs.



SILL RAISER IS REQUIRED FOR CONFIGURATION XX ONLY
WHEN DP > 70 PSF (POSITIVE)
USE RAISER 1" (E1014) UP TO 80 PSF (POSITIVE)
USE RAISER 2" (E1019) ABOVE 80 PSF & UP TO 120 PSF (POSITIVE)



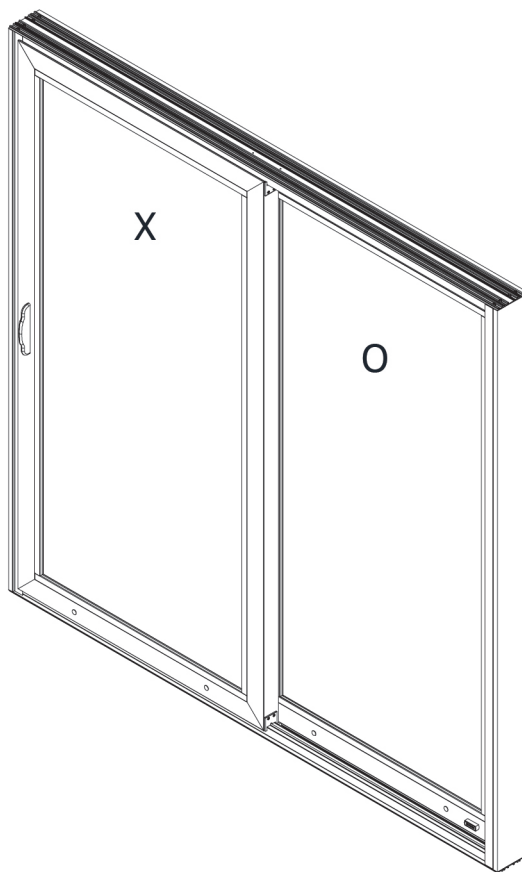
SILL RAISER IS REQUIRED FOR CONFIGURATION XX ONLY
WHEN DP > 70 PSF (POSITIVE)
USE RAISER 1" (E1014) UP TO 80 PSF (POSITIVE)
USE RAISER 2" (E1019) ABOVE 80 PSF & UP TO 120 PSF (POSITIVE)





XO AND OX KD PACKAGE

PART No.	DESCRIPTION:
1	SILL (1 U)
2	HEAD (1 U)
3	JAMBS (2 U)
4	HEX HEAD #12 x 1 1/2" SMS. AISI 410 (16 U)
5	TRACK SHORT (1 U)
6	TRACK LONG (1 U)
7	FLAT COVER LONG (1 U)
8	FLAT COVER SHORT (1 U)
9	VERTICAL COVER (2 U)
10	HORIZONTAL COVER (2 U)
11	AIR SEAL BRIDGE (2 U)
12	PANELS (2 U)
13	BUMPER (1 U)
14	PH-FH #10-16 x 3/4" SMS. AISI 316 (16 U)
15	ROLLER ADJUST HOLE PLUG (4 U)
16	BOTTOM PANEL GUIDE (2 U)
17	TOP PANEL GUIDE (2 U)
18	STRIKER (1 U)
19	LOCK HANDLE SET (1 U)
20	PH-PH #10-16 x 1/2" SMS. AISI 316 (4 U)
21	PH-PH #10-16 x 1" SELF DRILLING. AISI 410 (8 U)
22	
23	



For XO configuration see pages 47-48 for Panel Type Selection.

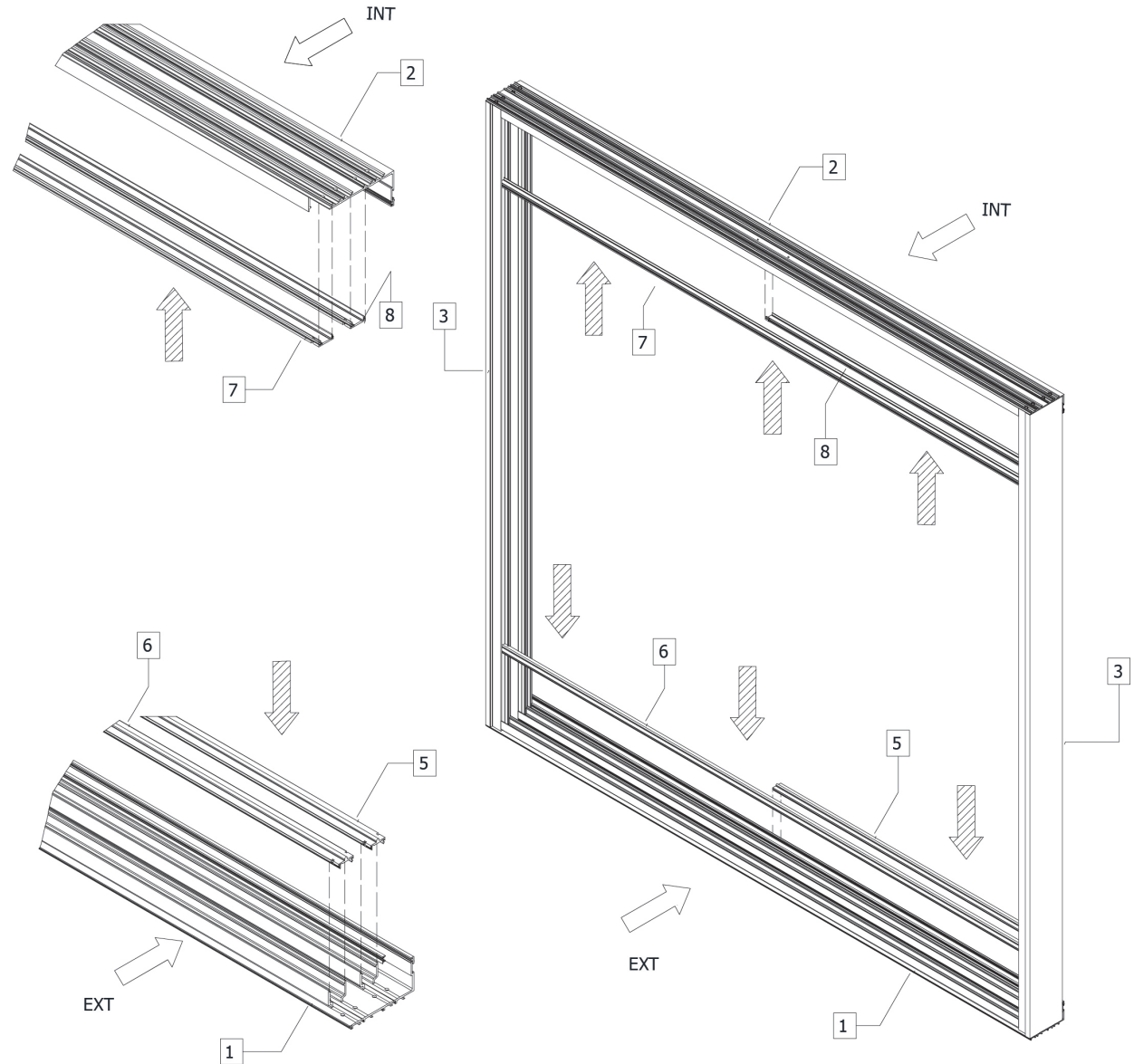
1 SILL 	6 TRACK LONG 	11 AIR SEAL BRIDGE 	16 BOTTOM PANEL GUIDE
2 HEAD 	7 FLAT COVER LONG 	12 PANELS 	17 TOP PANEL GUIDE
3 JAMBS 	8 FLAT COVER SHORT 	13 BUMPER 	18 STRIKER
4 SCREWS #12 x 1 1/2" 	9 VERTICAL COVER 	14 SCREWS #10-16x 3/4" LG FLAT 	19 LOCK HANDLE SET
5 TRACK SHORT 	10 HORIZONTAL COVER 	15 ROLLER ADJUST HOLE PLUG 	20 SCREWS 10-16 SELF-DRILLING
21 SCREWS 10-16 SELF-DRILLING 			





XO AND OX TRACK INSTRUCTIONS

PART No.	DESCRIPTION:
1	SILL (1 U)
2	HEAD (1 U)
3	JAMBS (2 U)
4	HEX HEAD #12 x 1 1/2" SMS. AISI 410 (16 U)
5	TRACK SHORT (1 U)
6	TRACK LONG (1 U)
7	FLAT COVER LONG (1 U)
8	FLAT COVER SHORT (1 U)
9	VERTICAL COVER (2 U)
10	HORIZONTAL COVER (2 U)
11	AIR SEAL BRIDGE (2 U)
12	PANELS (2 U)
13	BUMPER (1 U)
14	PH-FH #10-16 x 3/4" SMS. AISI 316 (16 U)
15	ROLLER ADJUST HOLE PLUG (4 U)
16	BOTTOM PANEL GUIDE (2 U)
17	TOP PANEL GUIDE (2 U)
18	STRIKER (1 U)
19	LOCK HANDLE SET (1 U)
20	PH-PH #10-16 x 1/2" SMS. AISI 316 (4 U)
21	PH-PH #10-16 x 1" SELF DRILLING. AISI 410 (8 U)
22	
23	



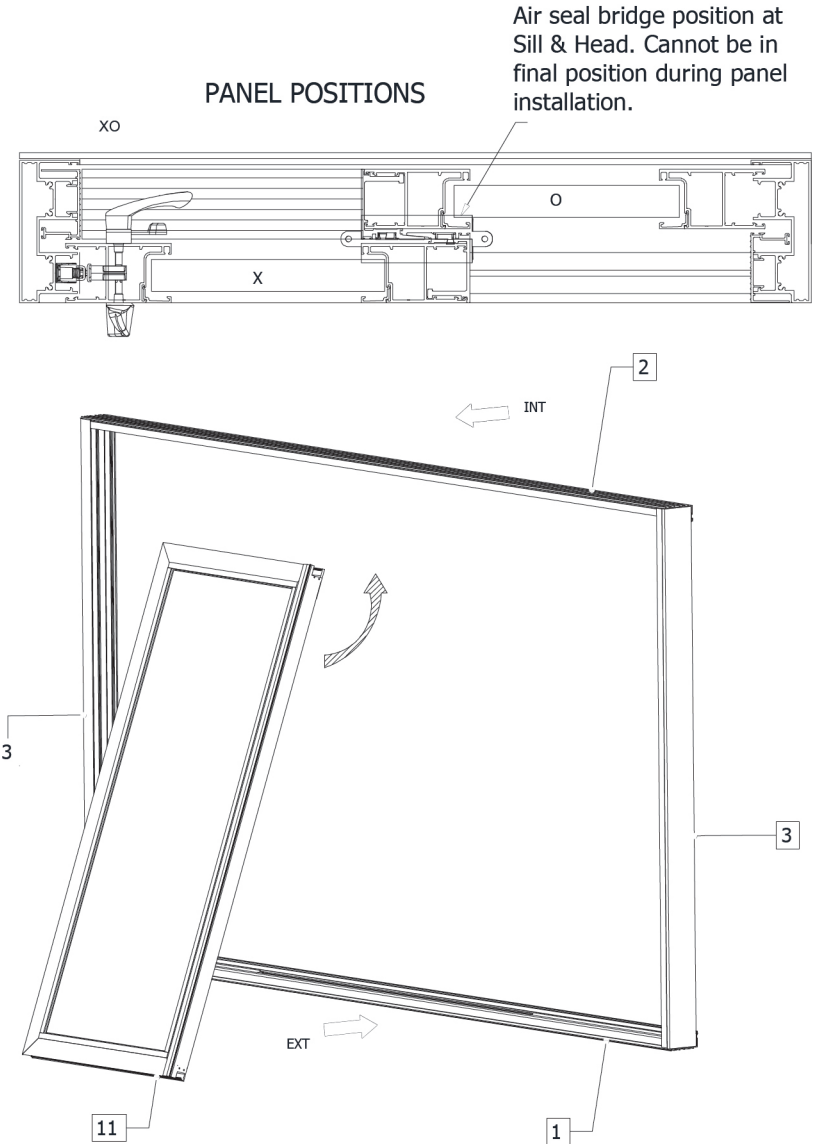
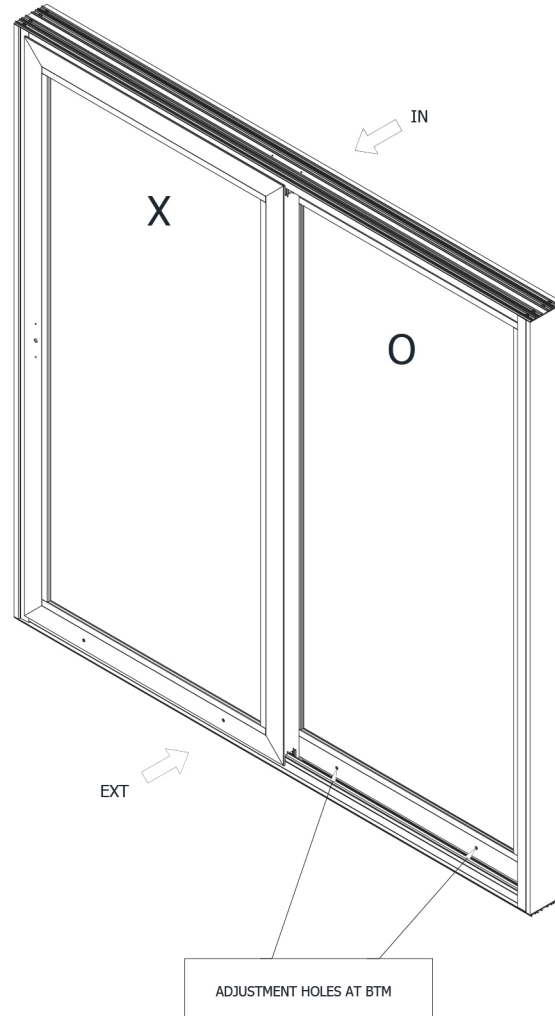


XO AND OX PANEL INSTRUCTIONS

PART No.	DESCRIPTION
1	SILL (1 U)
2	HEAD (1 U)
3	JAMBS (2 U)
4	HEX HEAD #12 x 1 1/2" SMS. AISI 410 (16 U)
5	TRACK SHORT (1 U)
6	TRACK LONG (1 U)
7	FLAT COVER LONG (1 U)
8	FLAT COVER SHORT (1 U)
9	VERTICAL COVER (2 U)
10	HORIZONTAL COVER (2 U)
11	AIR SEAL BRIDGE (2 U)
12	PANELS (2 U)
13	BUMPER (1 U)
14	PH-FH #10-16 x 3/4" SMS. AISI 316 (16 U)
15	ROLLER ADJUST HOLE PLUG (4 U)
16	BOTTOM PANEL GUIDE (2 U)
17	TOP PANEL GUIDE (2 U)
18	STRIKER (1 U)
19	LOCK HANDLE SET (1 U)
20	PH-PH #10-16 x 1/2" SMS. AISI 316 (4 U)
21	PH-PH #10-16 x 1" SELF DRILLING. AISI 410 (8 U)
22	
23	

NOTE:

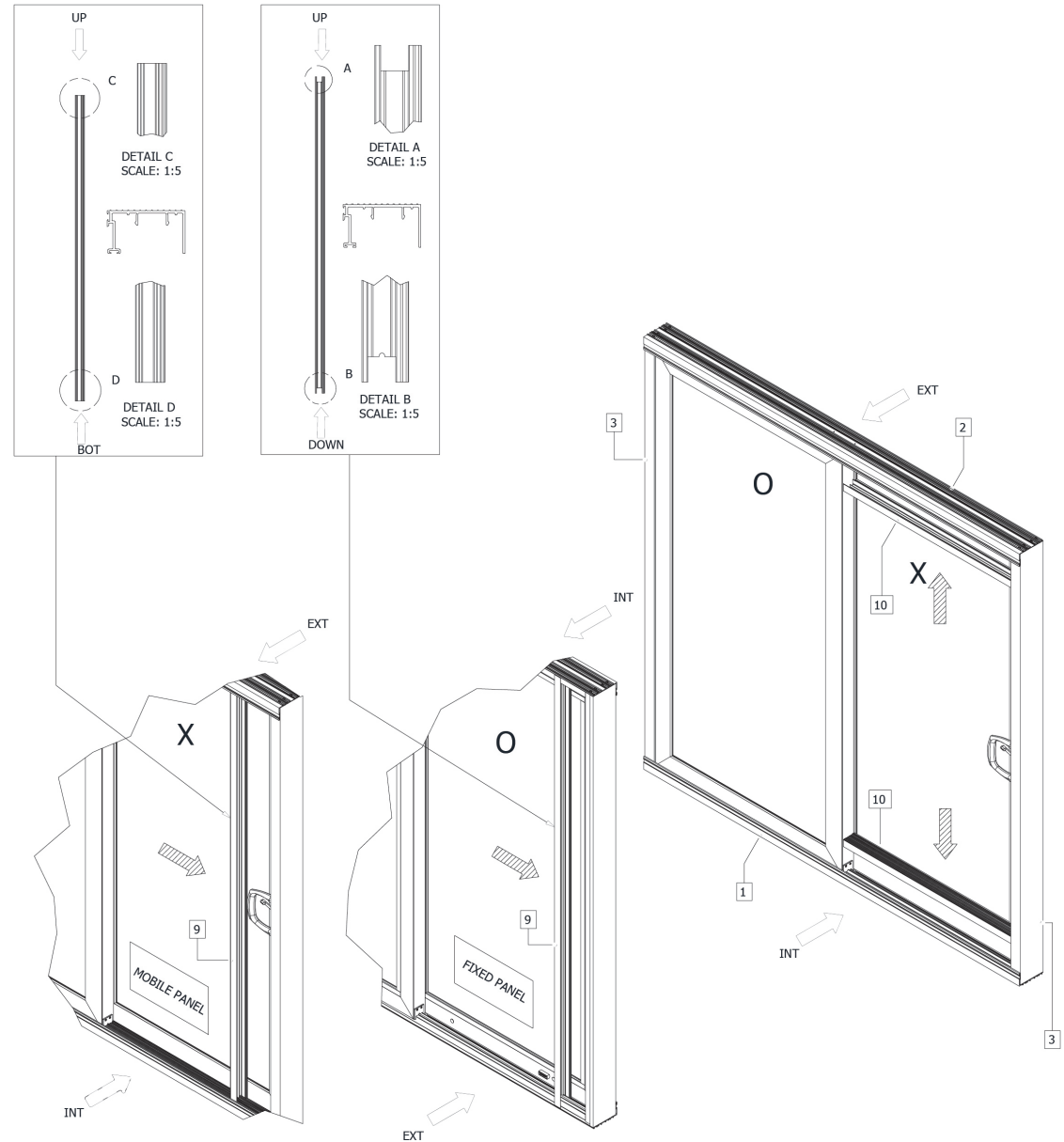
All panels are installed the same way.
For the position of the panels of the configuration XO see pages 47-48.





XO AND OX COVERS INSTRUCTIONS

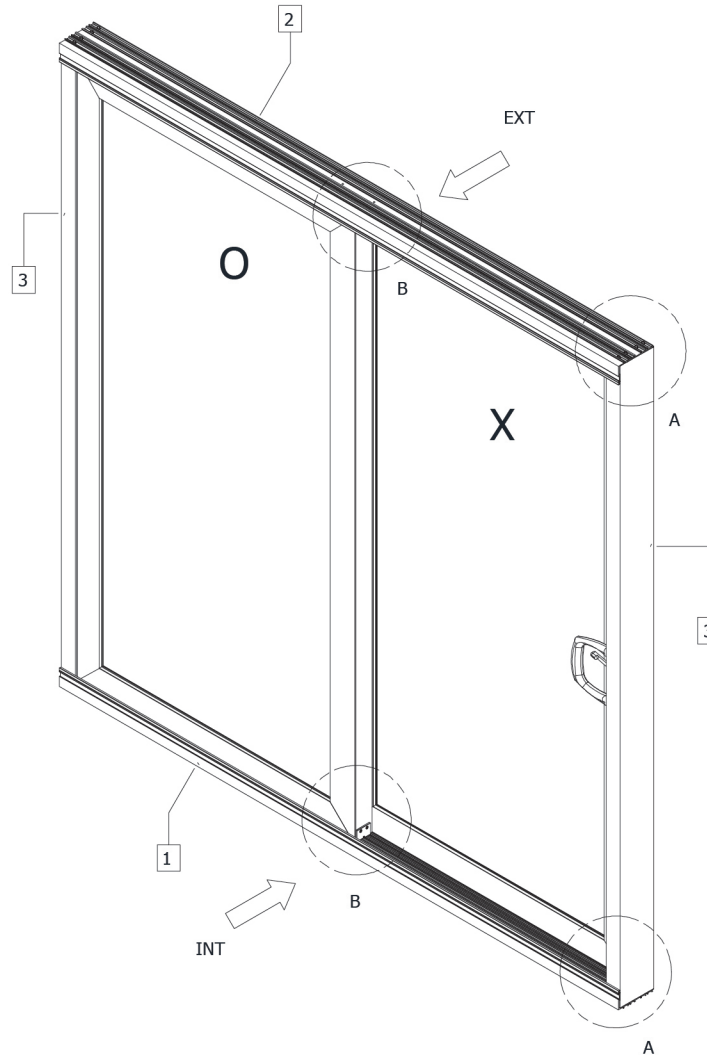
PART No.	DESCRIPTION
1	SILL (1 U)
2	HEAD (1 U)
3	JAMBS (2 U)
4	HEX HEAD #12 x 1 1/2" SMS. AISI 410 (16 U)
5	TRACK SHORT (1 U)
6	TRACK LONG (1 U)
7	FLAT COVER LONG (1 U)
8	FLAT COVER SHORT (1 U)
9	VERTICAL COVER (2 U)
10	HORIZONTAL COVER (2 U)
11	AIR SEAL BRIDGE (2 U)
12	PANELS (2 U)
13	BUMPER (1 U)
14	PH-FH #10-16 x 3/4" SMS. AISI 316 (16 U)
15	ROLLER ADJUST HOLE PLUG (4 U)
16	BOTTOM PANEL GUIDE (2 U)
17	TOP PANEL GUIDE (2 U)
18	STRIKER (1 U)
19	LOCK HANDLE SET (1 U)
20	PH-PH #10-16 x 1/2" SMS. AISI 316 (4 U)
21	PH-PH #10-16 x 1" SELF DRILLING. AISI 410 (8 U)
22	
23	



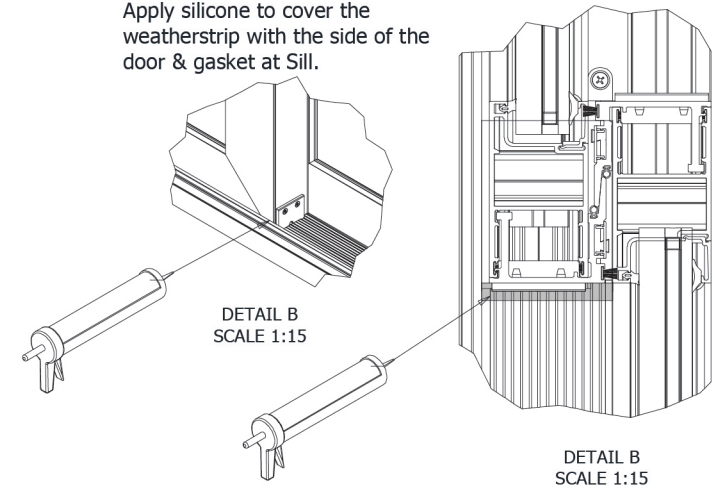


XO AND OX APPLICATION OF SILICONE INSTRUCTION

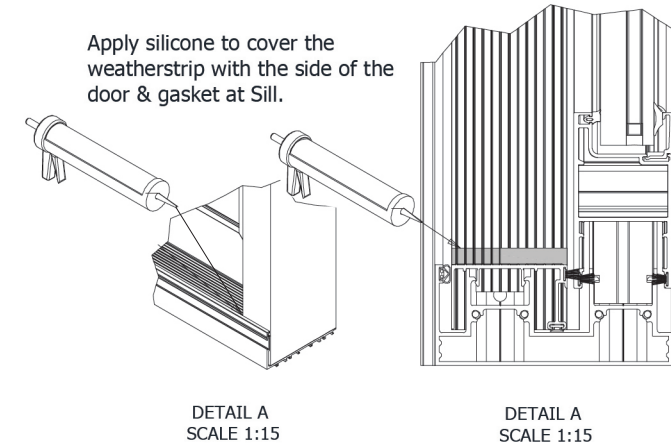
PART No.	DESCRIPTION:
1	SILL (1 U)
2	HEAD (1 U)
3	JAMBS (2 U)
4	HEX HEAD #12 x 1 1/2" SMS. AISI 410 (16 U)
5	TRACK SHORT (1 U)
6	TRACK LONG (1 U)
7	FLAT COVER LONG (1 U)
8	FLAT COVER SHORT (1 U)
9	VERTICAL COVER (2 U)
10	HORIZONTAL COVER (2 U)
11	AIR SEAL BRIDGE (2 U)
12	PANELS (2 U)
13	BUMPER (1 U)
14	PH-FH #10-16 x 3/4" SMS. AISI 316 (16 U)
15	ROLLER ADJUST HOLE PLUG (4 U)
16	BOTTOM PANEL GUIDE (2 U)
17	TOP PANEL GUIDE (2 U)
18	STRIKER (1 U)
19	LOCK HANDLE SET (1 U)
20	PH-PH #10-16 x 1/2" SMS. AISI 316 (4 U)
21	PH-PH #10-16 x 1" SELF DRILLING. AISI 410 (8 U)
22	
23	



Apply silicone to cover the weatherstrip with the side of the door & gasket at Sill.



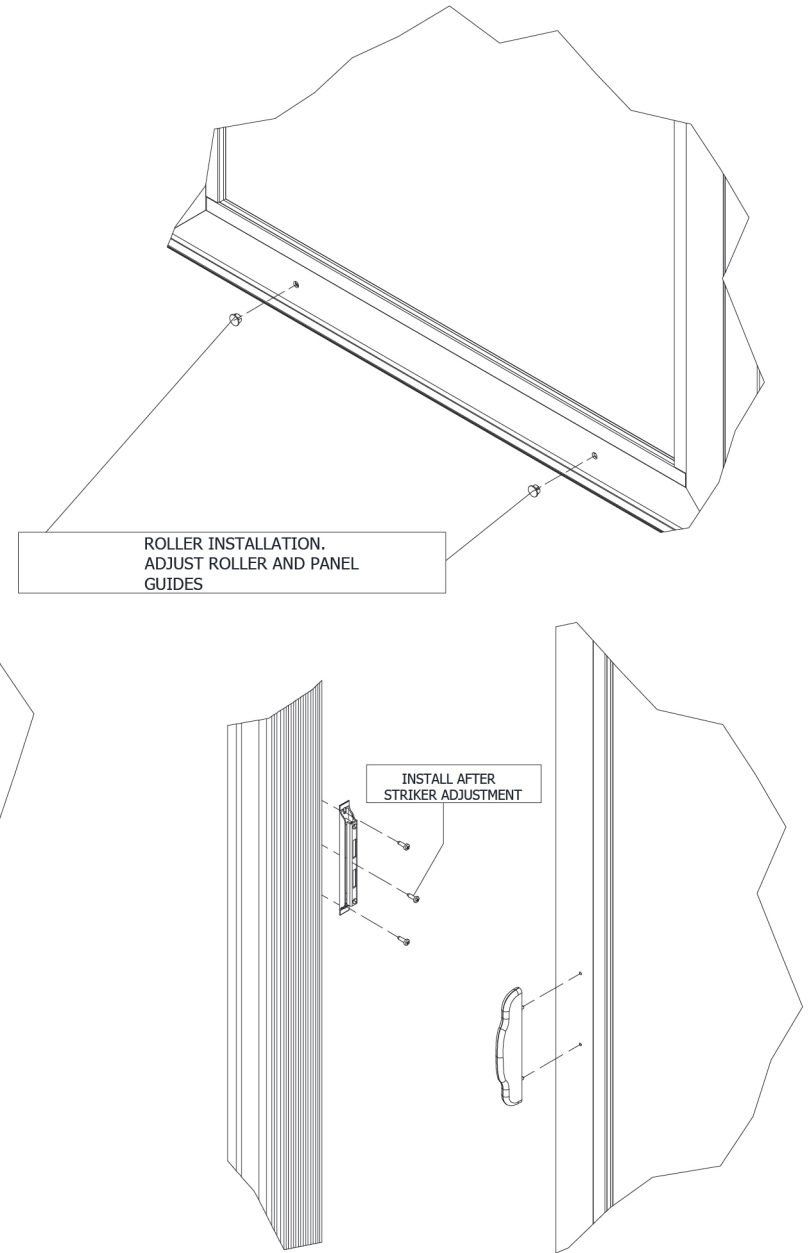
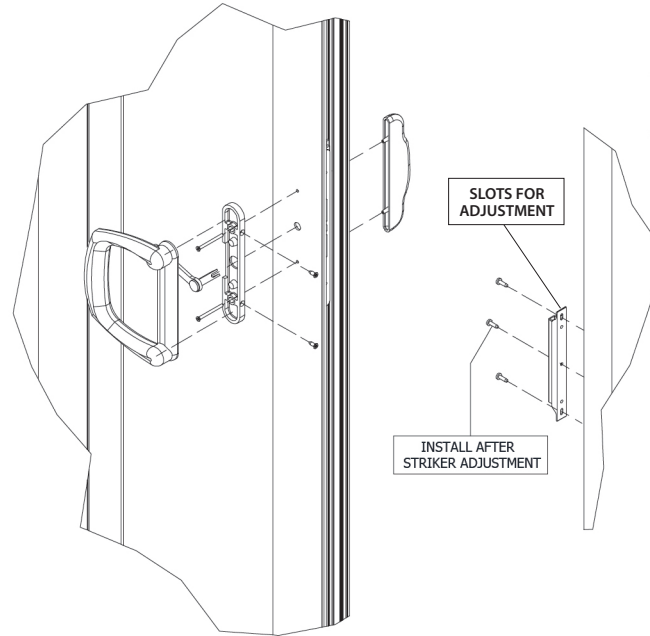
Apply silicone to cover the weatherstrip with the side of the door & gasket at Sill.





XO AND OX HANDLE INSTALLATION INSTRUCTIONS

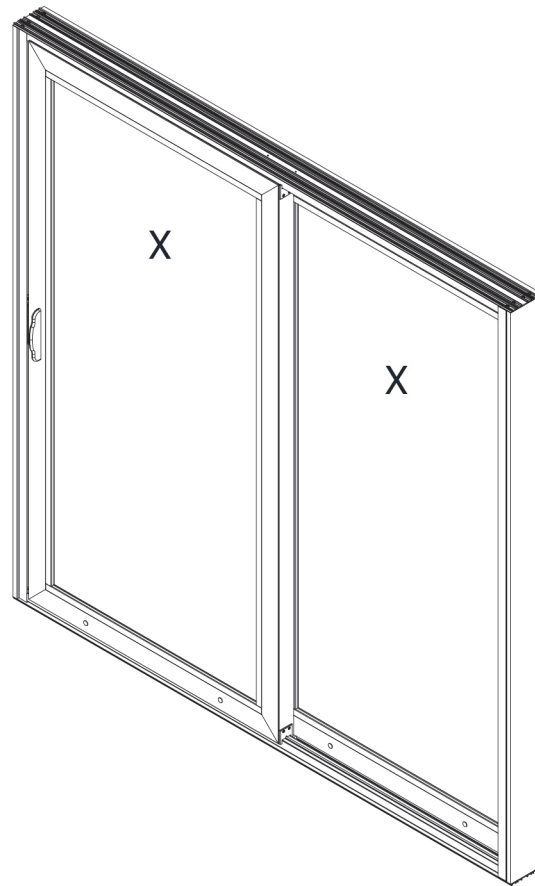
PART No.	DESCRIPTION
1	SILL (1 U)
2	HEAD (1 U)
3	JAMBS (2 U)
4	HEX HEAD #12 x 1 1/2" SMS. AISI 410 (16 U)
5	TRACK SHORT (1 U)
6	TRACK LONG (1 U)
7	FLAT COVER LONG (1 U)
8	FLAT COVER SHORT (1 U)
9	VERTICAL COVER (2 U)
10	HORIZONTAL COVER (2 U)
11	AIR SEAL BRIDGE (2 U)
12	PANELS (2 U)
13	BUMPER (1 U)
14	PH-FH #10-16 x 3/4" SMS. AISI 316 (16 U)
15	ROLLER ADJUST HOLE PLUG (4 U)
16	BOTTOM PANEL GUIDE (2 U)
17	TOP PANEL GUIDE (2 U)
18	STRIKER (1 U)
19	LOCK HANDLE SET (1 U)
20	PH-PH #10-16 x 1/2" SMS. AISI 316 (4 U)
21	PH-PH #10-16 x 1" SELF DRILLING. AISI 410 (8 U)
22	
23	





XX KD PACKAGE

PART No.	DESCRIPTION:
1	SILL (1 U)
2	HEAD (1 U)
3	JAMBS (2 U)
4	HEX HEAD #12 x 1 1/2" SMS. AISI 410 (16 U)
5	TRACK LONG (2 U)
6	FLAT COVER LONG (2 U)
7	VERTICAL COVER (2 U)
8	AIR SEAL BRIDGE (2 U)
9	PANELS (2 U)
10	BUMPER (2 U)
11	PH-FH #10-16 x 3/4" SMS. AISI 316 (16 U)
12	ROLLER ADJUST HOLE PLUG (4 U)
13	BOTTOM PANEL GUIDE (2 U)
14	TOP PANEL GUIDE (2 U)
15	STRIKER (2 U)
16	LOCK HANDLE SET (2 U)
17	PH-PH #10-16 x 1" SELF DRILLING. AISI 410 (12 U)
18	PH-PH #10-16 x 1/2" SMS. AISI 316 (4 U)
19	DRAINAGE COVER (1 U)
20	SILL RAISER (1 U)
21	
22	
23	



For XX configuration see pages 47-48 for Panel Type Selection.

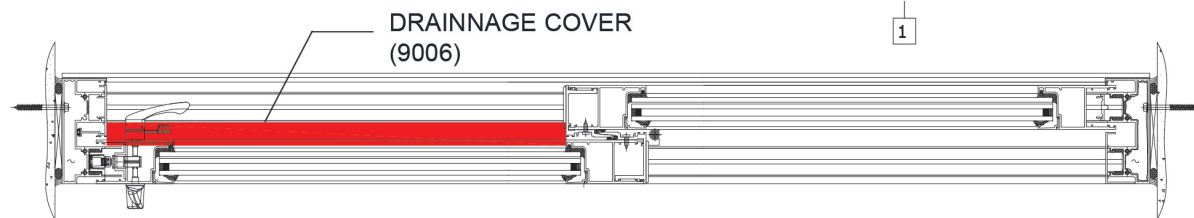
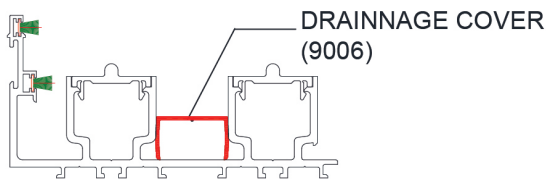
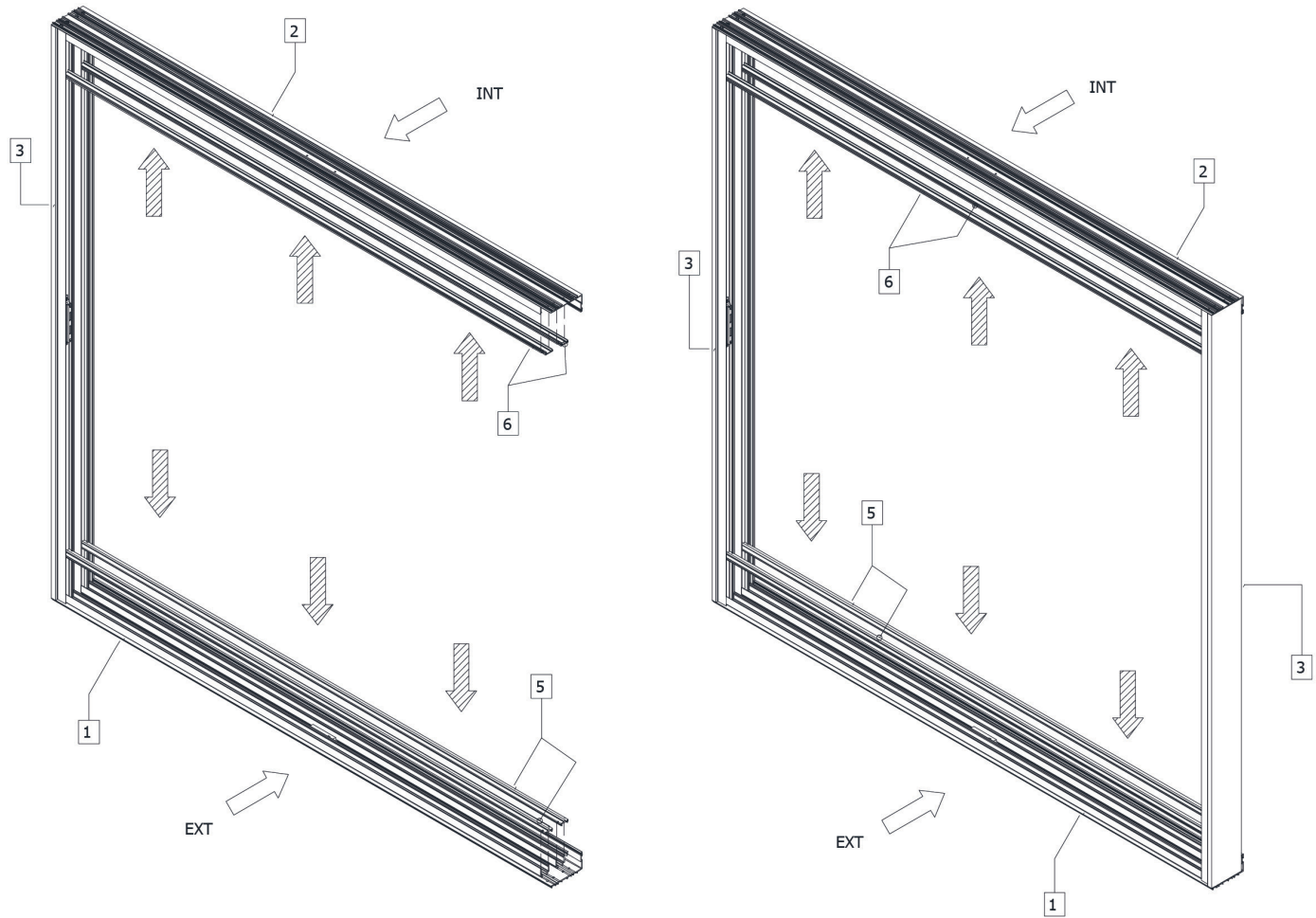
1 SILL 	6 FLAT COVER LONG 	11 #10-16 x 3/4" FLAT 	16 LOCK HANDLE SET
2 HEAD 	7 VERTICAL COVER 	12 ROLLER ADJUST HOLE PLUG 	17 SCREWS #10-16 x 1" SELF-DRILL
3 JAMBS 	8 AIR SEAL BRIDGE 	13 BOTTOM PANEL GUIDE 	18 SCREWS #10-16 x 1/2" SELF-DRILL
4 SCREWS #12 x 1 1/2" LG 	9 PANELS 	14 TOP PANEL GUIDE 	19 DRAINAGE COVER
5 TRACK LONG 	10 BUMPER 	15 STRIKER 	20 SILL RAISER





XX TRACKS INSTRUCTIONS

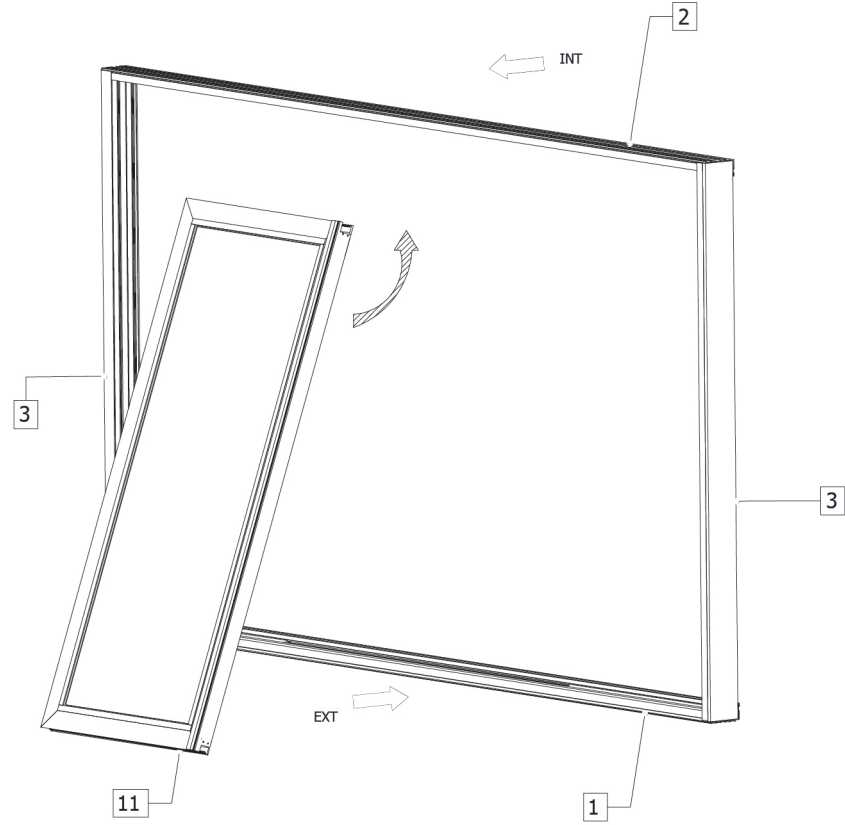
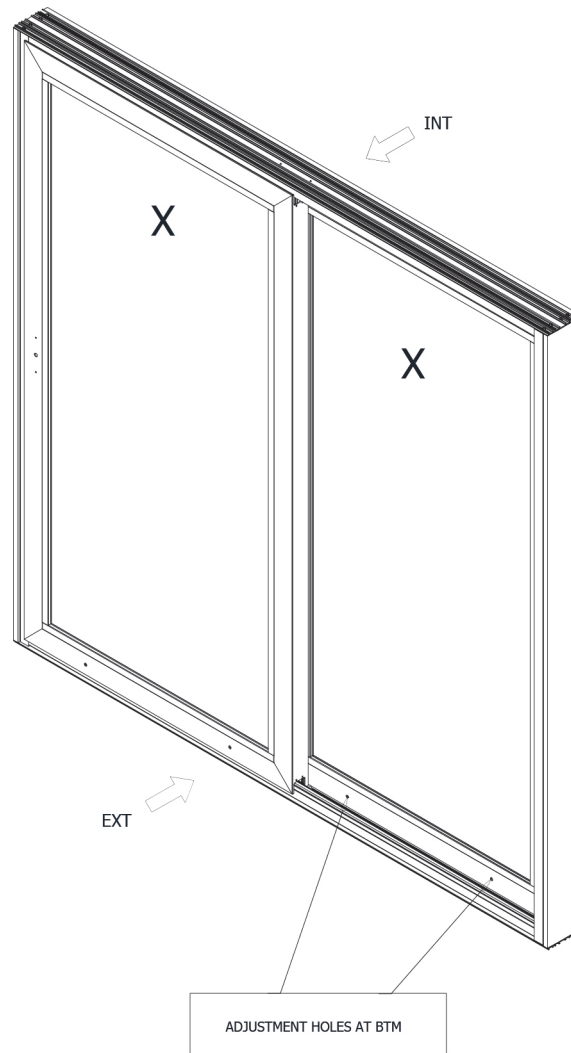
PART No.	DESCRIPTION:
1	SILL (1 U)
2	HEAD (1 U)
3	JAMBS (2 U)
4	HEX HEAD #12 x 1 1/2" SMS. AISI 410 (16 U)
5	TRACK LONG (2 U)
6	FLAT COVER LONG (2 U)
7	VERTICAL COVER (2 U)
8	AIR SEAL BRIDGE (2 U)
9	PANELS (2 U)
10	BUMPER (2 U)
11	PH-FH #10-16 x 3/4" SMS. AISI 316 (16 U)
12	ROLLER ADJUST HOLE PLUG (4 U)
13	BOTTOM PANEL GUIDE (2 U)
14	TOP PANEL GUIDE (2 U)
15	STRIKER (2 U)
16	LOCK HANDLE SET (2 U)
17	PH-PH #10-16 x 1" SELF DRILLING. AISI 410 (12 U)
18	PH-PH #10-16 x 1/2" SMS. AISI 316 (4 U)
19	DRAINAGE COVER (1 U)
20	SILL RAISER (1 U)
21	
22	
23	





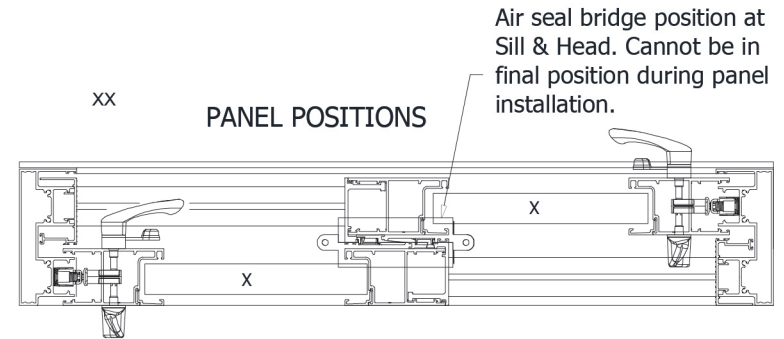
XX PANEL INSTRUCTIONS

PART No.	DESCRIPTION:
1	SILL (1 U)
2	HEAD (1 U)
3	JAMBS (2 U)
4	HEX HEAD #12 x 1 1/2" SMS. AISI 410 (16 U)
5	TRACK LONG (2 U)
6	FLAT COVER LONG (2 U)
7	VERTICAL COVER (2 U)
8	AIR SEAL BRIDGE (2 U)
9	PANELS (2 U)
10	BUMPER (2 U)
11	PH-FH #10-16 x 3/4" SMS. AISI 316 (16 U)
12	ROLLER ADJUST HOLE PLUG (4 U)
13	BOTTOM PANEL GUIDE (2 U)
14	TOP PANEL GUIDE (2 U)
15	STRIKER (2 U)
16	LOCK HANDLE SET (2 U)
17	PH-PH #10-16 x 1" SELF DRILLING. AISI 410 (12 U)
18	PH-PH #10-16 x 1/2" SMS. AISI 316 (4 U)
19	DRAINAGE COVER (1 U)
20	SILL RAISER (1 U)
21	
22	
23	



NOTE:

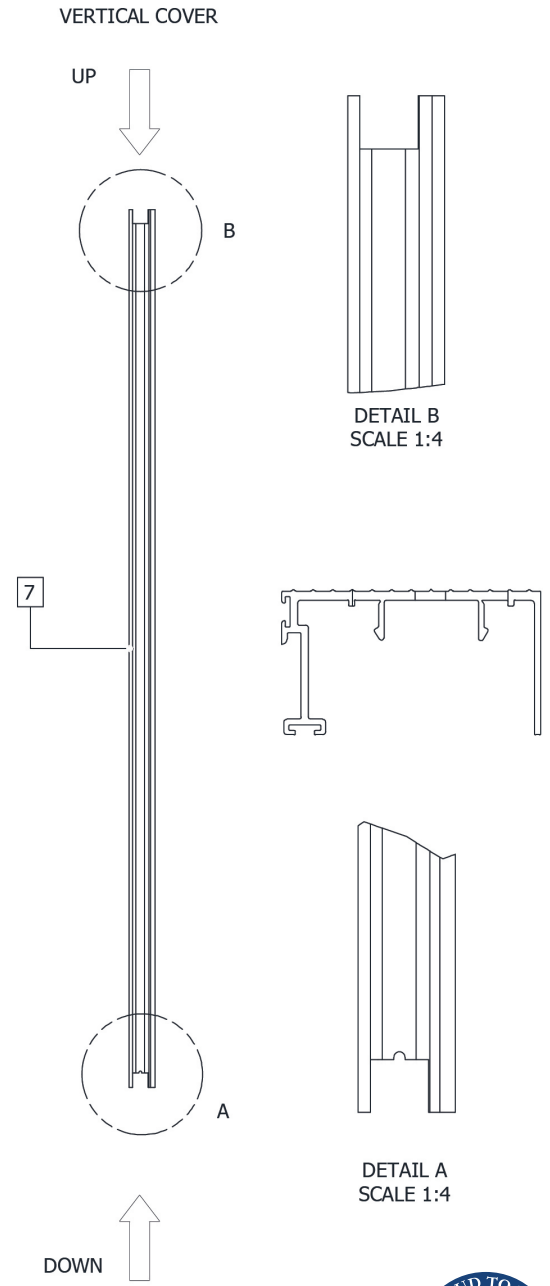
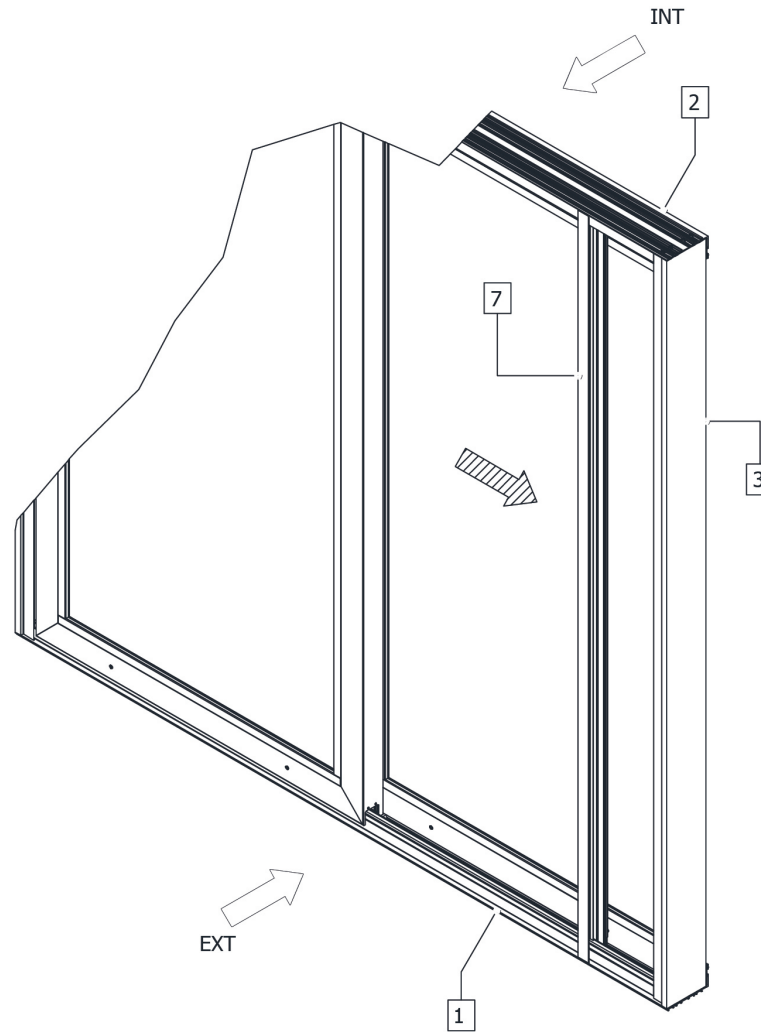
All panels are installed the same way.
For the position of the panels with configuration XX, See pages 47-48.





XX COVERS INSTRUCTIONS

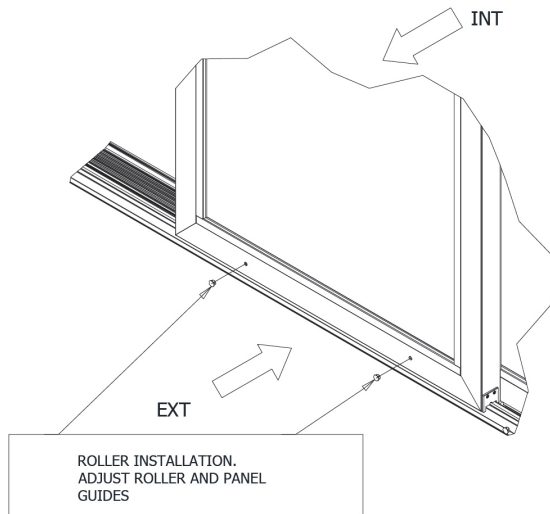
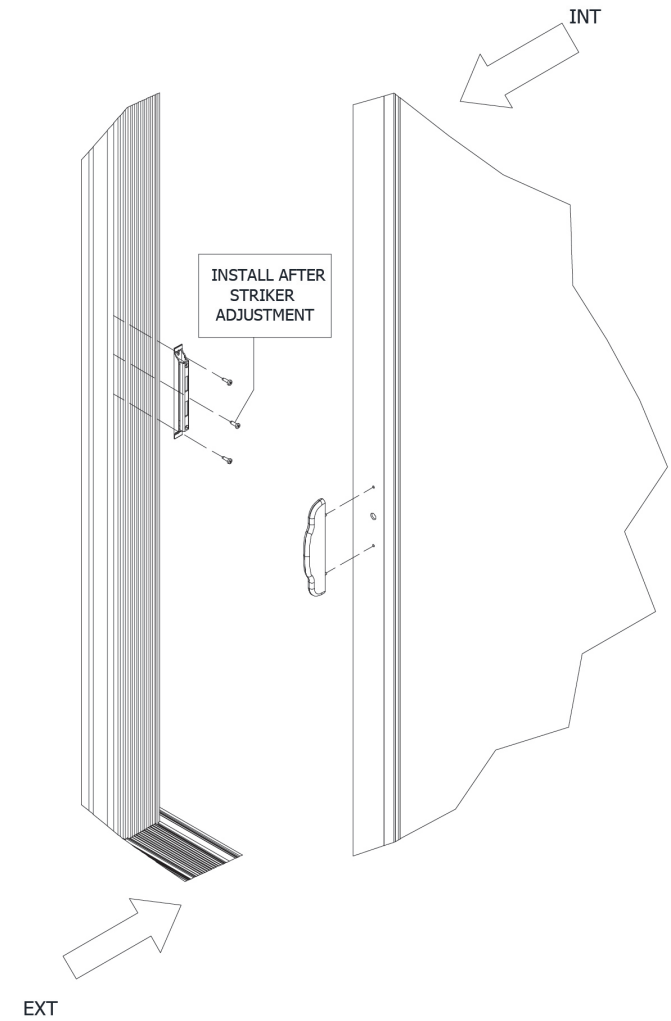
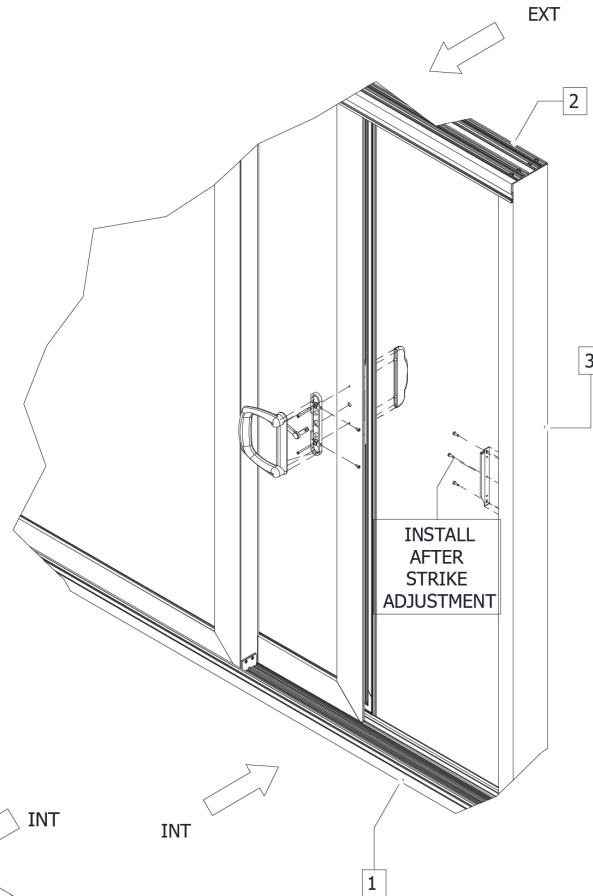
PART No.	DESCRIPTION:
1	SILL (1 U)
2	HEAD (1 U)
3	JAMBS (2 U)
4	HEX HEAD #12 x 1 1/2" SMS. AISI 410 (16 U)
5	TRACK LONG (2 U)
6	FLAT COVER LONG (2 U)
7	VERTICAL COVER (2 U)
8	AIR SEAL BRIDGE (2 U)
9	PANELS (2 U)
10	BUMPER (2 U)
11	PH-FH #10-16 x 3/4" SMS. AISI 316 (16 U)
12	ROLLER ADJUST HOLE PLUG (4 U)
13	BOTTOM PANEL GUIDE (2 U)
14	TOP PANEL GUIDE (2 U)
15	STRIKER (2 U)
16	LOCK HANDLE SET (2 U)
17	PH-PH #10-16 x 1" SELF DRILLING. AISI 410 (12 U)
18	PH-PH #10-16 x 1/2" SMS. AISI 316 (4 U)
19	DRAINAGE COVER (1 U)
20	SILL RAISER (1 U)
21	
22	
23	





XX HANDLE INSTRUCTIONS

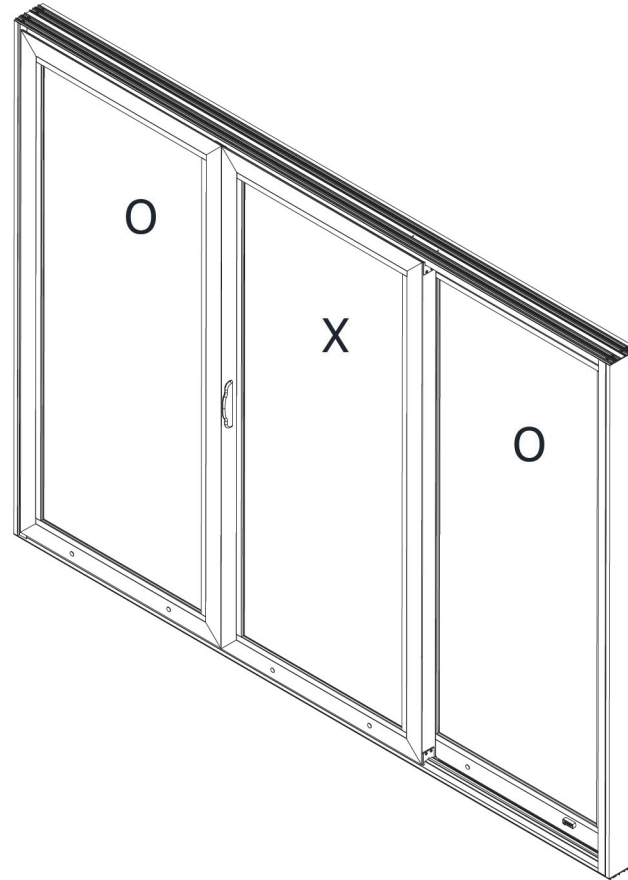
PART No.	DESCRIPTION:
1	SILL (1 U)
2	HEAD (1 U)
3	JAMBS (2 U)
4	HEX HEAD #12 x 1 1/2" SMS. AISI 410 (16 U)
5	TRACK LONG (2 U)
6	FLAT COVER LONG (2 U)
7	VERTICAL COVER (2 U)
8	AIR SEAL BRIDGE (2 U)
9	PANELS (2 U)
10	BUMPER (2 U)
11	PH-FH #10-16 x 3/4" SMS. AISI 316 (16 U)
12	ROLLER ADJUST HOLE PLUG (4 U)
13	BOTTOM PANEL GUIDE (2 U)
14	TOP PANEL GUIDE (2 U)
15	STRIKER (2 U)
16	LOCK HANDLE SET (2 U)
17	PH-PH #10-16 x 1" SELF DRILLING. AISI 410 (12 U)
18	PH-PH #10-16 x 1/2" SMS. AISI 316 (4 U)
19	DRAINAGE COVER (1 U)
20	SILL RAISER (1 U)
21	
22	
23	





OXO PARTS

PART No.	DESCRIPTION:
1	SILL (1 U)
2	HEAD (1 U)
3	JAMBS (2 U)
4	HEX HEAD #12 x 1 1/2" (16 U)
5	TRACK SHORT (1 U)
6	TRACK LONG (1 U)
7	FLAT COVER LONG (1 U)
8	FLAT COVER SHORT (1 U)
9	VERTICAL COVER (2 U)
10	HORIZONTAL COVER (2 U)
11	AIR SEAL BRIDGE (4 U)
12	PANELS (3 U)
13	BUMPER (2 U)
14	PH-FH #10-16x3/4" LG SMS AISI 316 (20 U)
15	ROLLER ADJUST HOLE PLUG (6 U)
16	BOTTOM PANEL GUIDE (4 U)
17	TOP PANEL GUIDE (4 U)
18	STRIKER (1 U)
19	LOCK HANDLE SET (1 U)
20	PH-PH #10-16x1" LG SELF-DRILLING AISI 410 (15 U)
21	FIX PANEL ATTACHMENT (2 U)
22	PH-PH #10-16x1/2" LG SMS AISI 316 (4 U)
23	



For OXO configuration see pages 47-48
for Panel Type Selection.

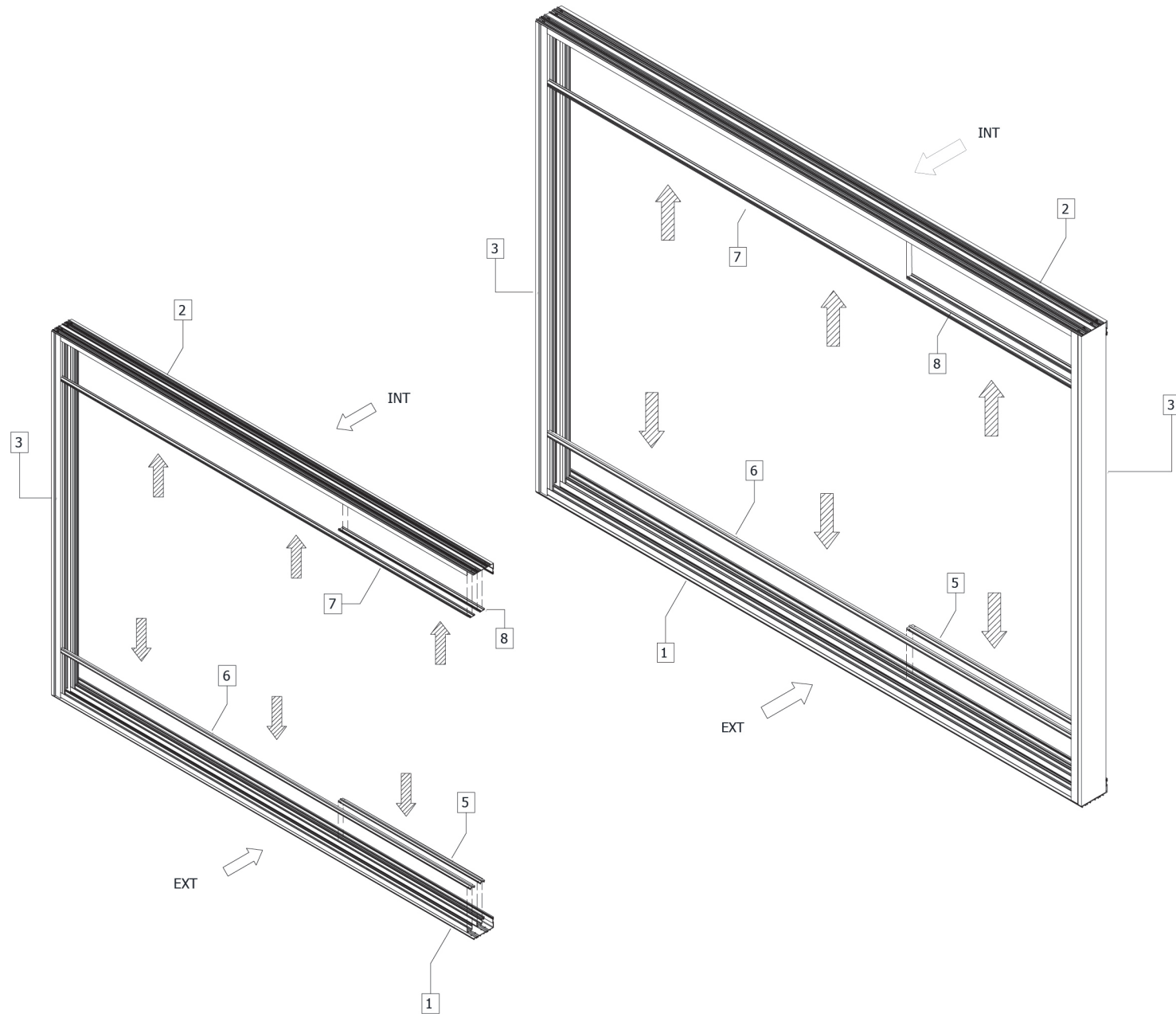
1 SILL 	6 TRACK LONG 	11 AIR SEAL BRIDGE 	17 PANEL GUIDE
2 HEAD 	7 FLAT COVER LONG 	12 PANELS 	18 STRIKER
3 JAMBS 	8 FLAT COVER SHORT 	13 BUMPER 	19 LOCK HANDLE SET
4 HEX HEAD #12 x 1 1/2" LG 	9 VERTICAL COVER 	14 PH-FH #10-16 x3/4" LG 	20 PH-PH #10-16x 1" LG
5 TRACK SHORT 	10 HORIZONTAL COVER 	15 ROLLER ADJUST HOLE PLUG 	21 FIX PANEL ATTACHMENT
		16 PANEL GUIDE 	22 PH-PH #10-16x 1/2" LG





OXO TRACK INSTRUCTIONS

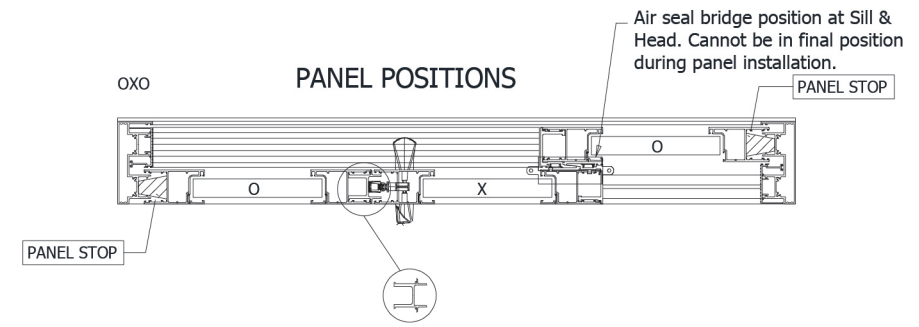
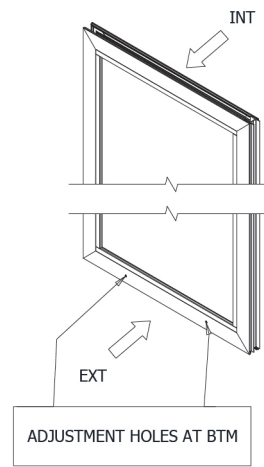
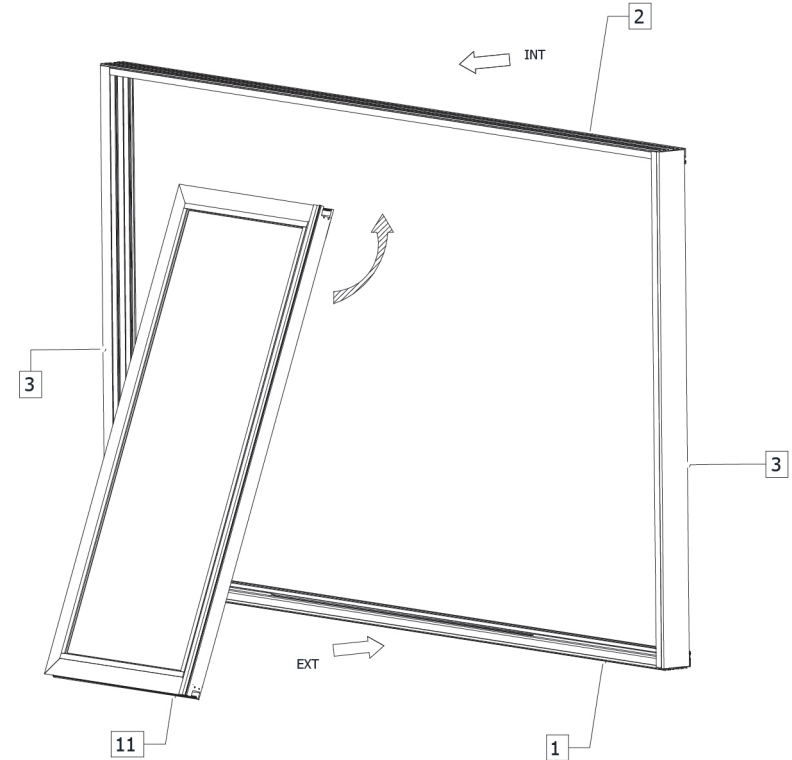
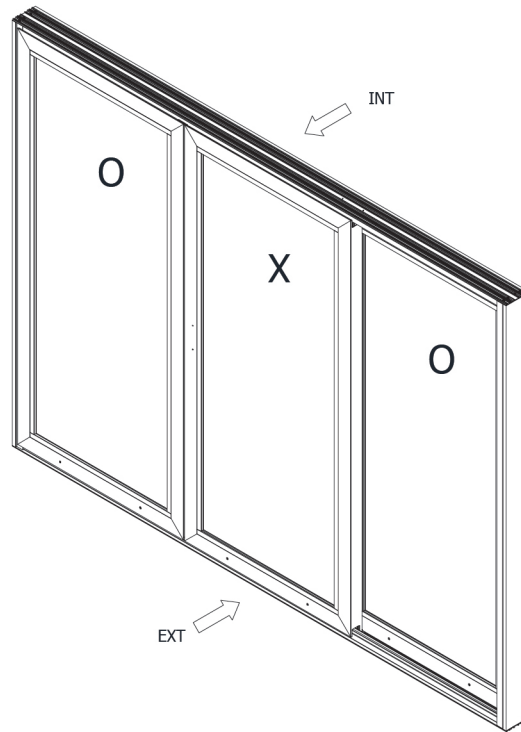
PART No.	DESCRIPTION:
1	SILL (1 U)
2	HEAD (1 U)
3	JAMBS (2 U)
4	HEX HEAD #12 x 1 1/2" (16 U)
5	TRACK SHORT (1 U)
6	TRACK LONG (1 U)
7	FLAT COVER LONG (1 U)
8	FLAT COVER SHORT (1 U)
9	VERTICAL COVER (2 U)
10	HORIZONTAL COVER (2 U)
11	AIR SEAL BRIDGE (4 U)
12	PANELS (3 U)
13	BUMPER (2 U)
14	PH-FH #10-16x3/4" LG SMS AISI 316 (20 U)
15	ROLLER ADJUST HOLE PLUG (6 U)
16	BOTTOM PANEL GUIDE (4 U)
17	TOP PANEL GUIDE (4 U)
18	STRIKER (1 U)
19	LOCK HANDLE SET (1 U)
20	PH-PH #10-16x1" LG SELF-DRILLING AISI 410 (15 U)
21	FIX PANEL ATTACHMENT (2 U)
22	PH-PH #10-16x1/2" LG SMS AISI 316 (4 U)
23	





OXO PANELS INSTRUCTIONS

PART No.	DESCRIPTION:
1	SILL (1 U)
2	HEAD (1 U)
3	JAMBS (2 U)
4	HEX HEAD #12 x 1 1/2" (16 U)
5	TRACK SHORT (1 U)
6	TRACK LONG (1 U)
7	FLAT COVER LONG (1 U)
8	FLAT COVER SHORT (1 U)
9	VERTICAL COVER (2 U)
10	HORIZONTAL COVER (2 U)
11	AIR SEAL BRIDGE (4 U)
12	PANELS (3 U)
13	BUMPER (2 U)
14	PH-FH #10-16x3/4" LG SMS AISI 316 (20 U)
15	ROLLER ADJUST HOLE PLUG (6 U)
16	BOTTOM PANEL GUIDE (4 U)
17	TOP PANEL GUIDE (4 U)
18	STRIKER (1 U)
19	LOCK HANDLE SET (1 U)
20	PH-PH #10-16x1" LG SELF-DRILLING AISI 410 (15 U)
21	FIX PANEL ATTACHMENT (2 U)
22	PH-PH #10-16x1/2" LG SMS AISI 316 (4 U)
23	



REMOVE PANEL INSTALLATION
SCREWS AND REINSTALL AFTER PANEL IS
IN FINAL POSITION AND HARDWARE #21 IS IN PLACE

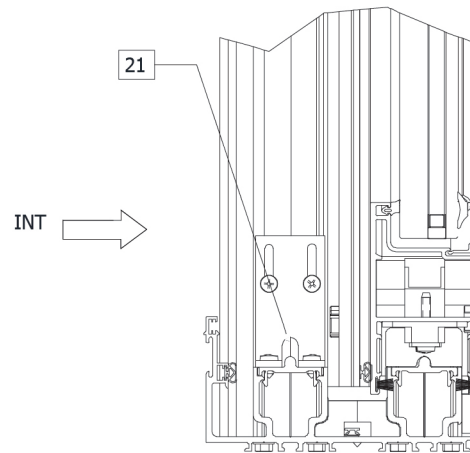
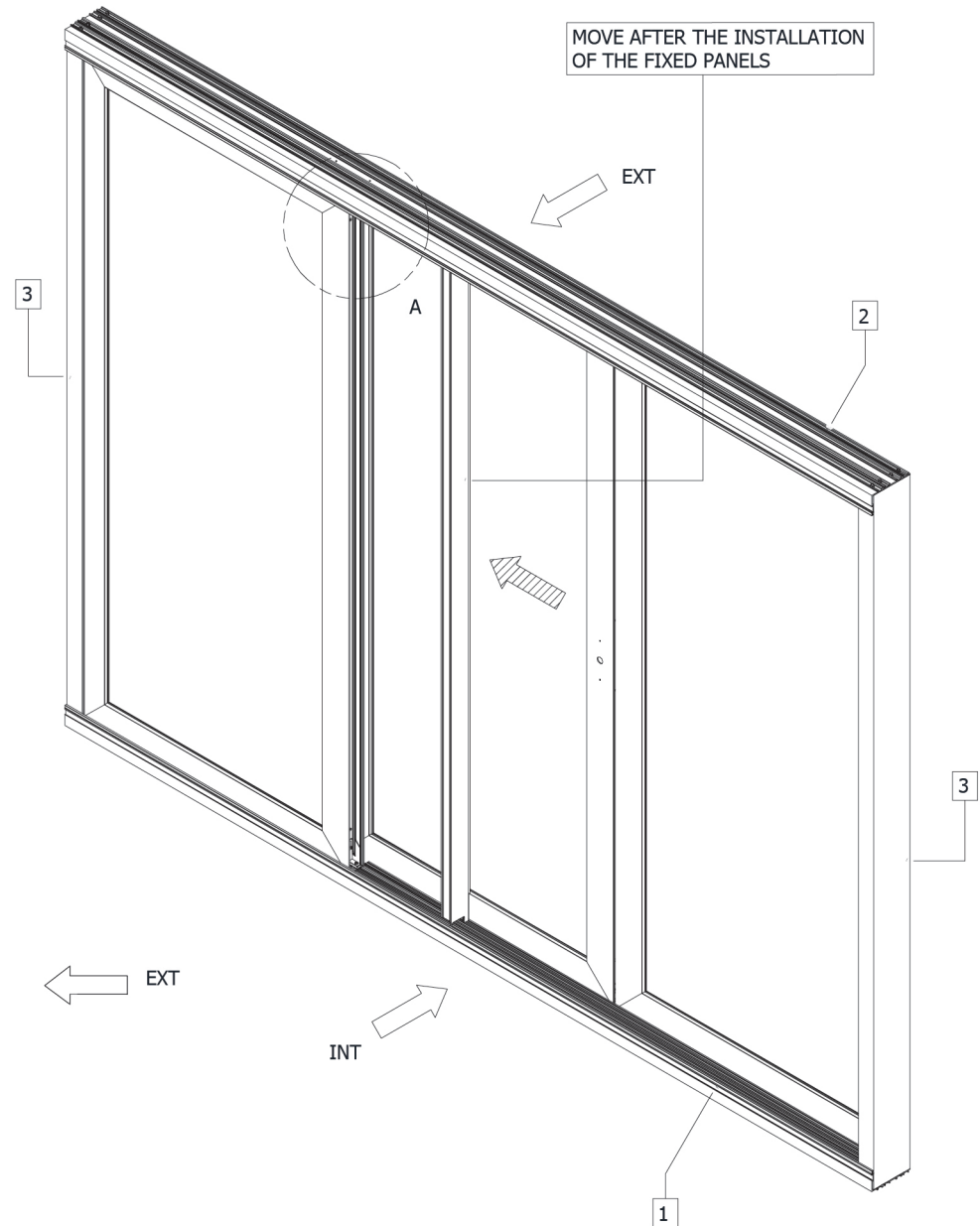
NOTE:
All panels are installed the same way.
For the position of the panels with
configuration OXO, See pages 47-48.





OXO FIX PANEL ATTACHMENT

PART No.	DESCRIPTION:
1	SILL (1 U)
2	HEAD (1 U)
3	JAMBS (2 U)
4	HEX HEAD #12 x 1 1/2" (16 U)
5	TRACK SHORT (1 U)
6	TRACK LONG (1 U)
7	FLAT COVER LONG (1 U)
8	FLAT COVER SHORT (1 U)
9	VERTICAL COVER (2 U)
10	HORIZONTAL COVER (2 U)
11	AIR SEAL BRIDGE (4 U)
12	PANELS (3 U)
13	BUMPER (2 U)
14	PH-FH #10-16x3/4" LG SMS AISI 316 (20 U)
15	ROLLER ADJUST HOLE PLUG (6 U)
16	BOTTOM PANEL GUIDE (4 U)
17	TOP PANEL GUIDE (4 U)
18	STRIKER (1 U)
19	LOCK HANDLE SET (1 U)
20	PH-PH #10-16x1" LG SELF-DRILLING AISI 410 (15 U)
21	FIX PANEL ATTACHMENT (2 U)
22	PH-PH #10-16x1/2" LG SMS AISI 316 (4 U)
23	



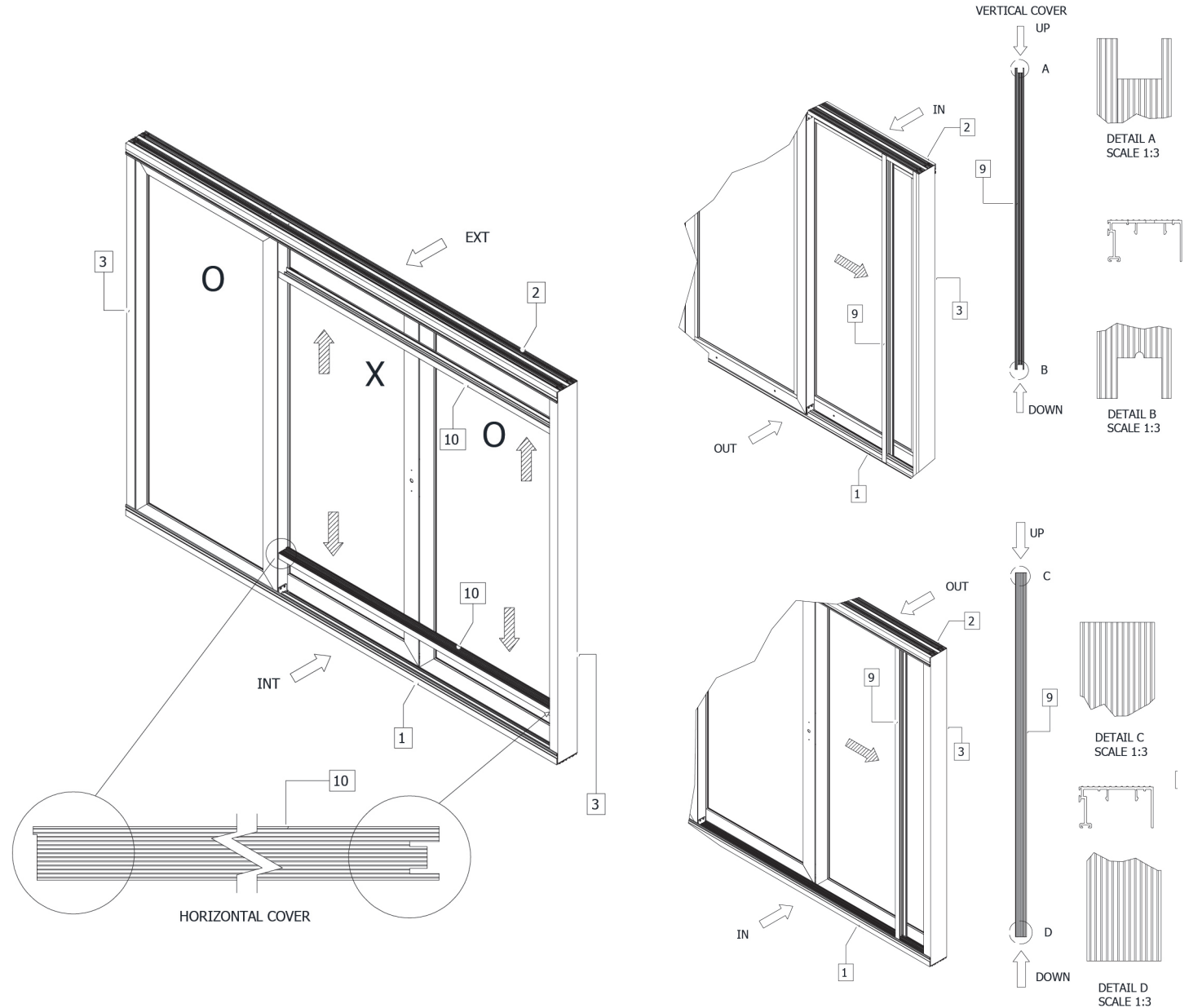
DETAIL A
SCALE 1:3





OXO COVER INSTRUCTIONS

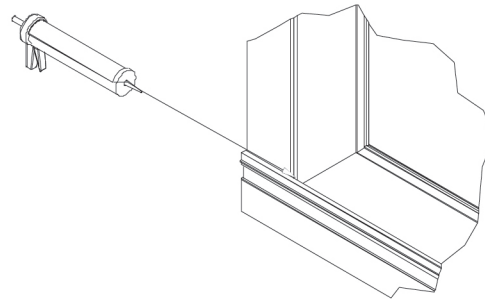
PART No.	DESCRIPTION:
1	SILL (1 U)
2	HEAD (1 U)
3	JAMBS (2 U)
4	HEX HEAD #12 x 1 1/2" (16 U)
5	TRACK SHORT (1 U)
6	TRACK LONG (1 U)
7	FLAT COVER LONG (1 U)
8	FLAT COVER SHORT (1 U)
9	VERTICAL COVER (2 U)
10	HORIZONTAL COVER (2 U)
11	AIR SEAL BRIDGE (4 U)
12	PANELS (3 U)
13	BUMPER (2 U)
14	PH-FH #10-16x3/4" LG SMS AISI 316 (20 U)
15	ROLLER ADJUST HOLE PLUG (6 U)
16	BOTTOM PANEL GUIDE (4 U)
17	TOP PANEL GUIDE (4 U)
18	STRIKER (1 U)
19	LOCK HANDLE SET (1 U)
20	PH-PH #10-16x1" LG SELF-DRILLING AISI 410 (15 U)
21	FIX PANEL ATTACHMENT (2 U)
22	PH-PH #10-16x1/2" LG SMS AISI 316 (4 U)





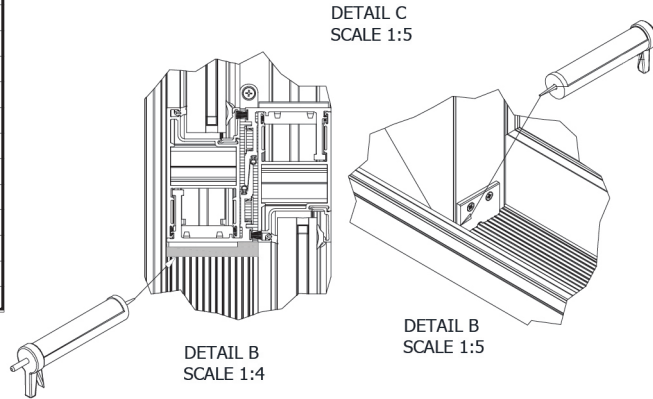
OXO APPLICATION OF SILICONE INSTRUCTION

PART No.	DESCRIPTION:
1	SILL (1 U)
2	HEAD (1 U)
3	JAMBS (2 U)
4	HEX HEAD #12 x 1 1/2" (16 U)
5	TRACK SHORT (1 U)
6	TRACK LONG (1 U)
7	FLAT COVER LONG (1 U)
8	FLAT COVER SHORT (1 U)
9	VERTICAL COVER (2 U)
10	HORIZONTAL COVER (2 U)
11	AIR SEAL BRIDGE (4 U)
12	PANELS (3 U)
13	BUMPER (2 U)
14	PH-FH #10-16x3/4" LG SMS AISI 316 (20 U)
15	ROLLER ADJUST HOLE PLUG (6 U)
16	BOTTOM PANEL GUIDE (4 U)
17	TOP PANEL GUIDE (4 U)
18	STRIKER (1 U)
19	LOCK HANDLE SET (1 U)
20	PH-PH #10-16x1" LG SELF-DRILLING AISI 410 (15 U)
21	FIX PANEL ATTACHMENT (2 U)
22	PH-PH #10-16x1/2" LG SMS AISI 316 (4 U)



Apply silicone to cover the weatherstripping with the side of the door & gasket at Sill

DETAIL C
SCALE 1:5

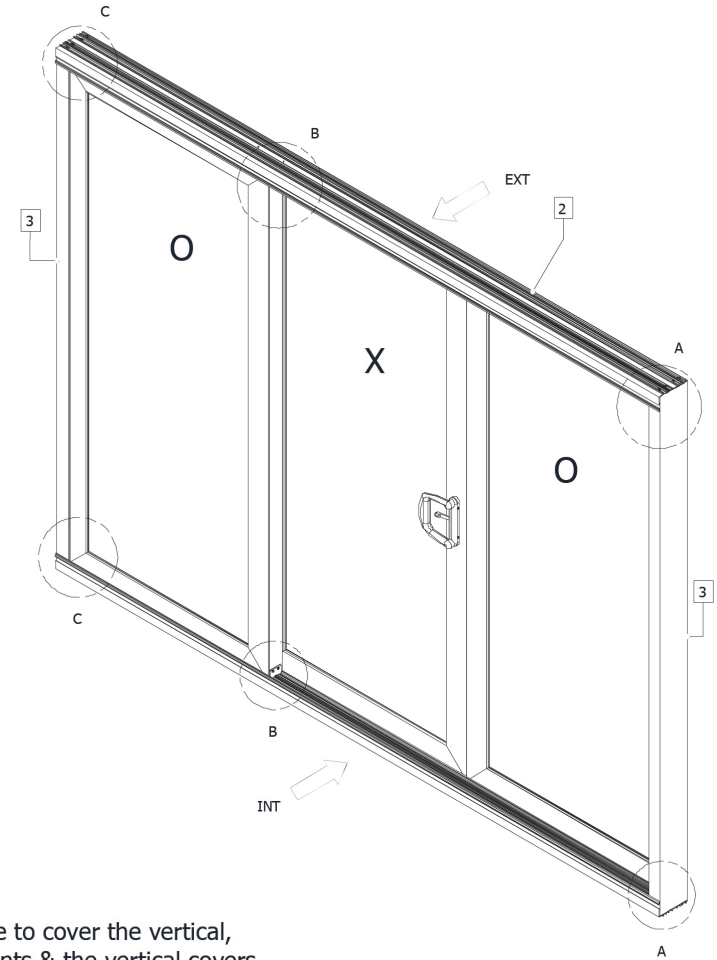


DETAIL C
SCALE 1:5

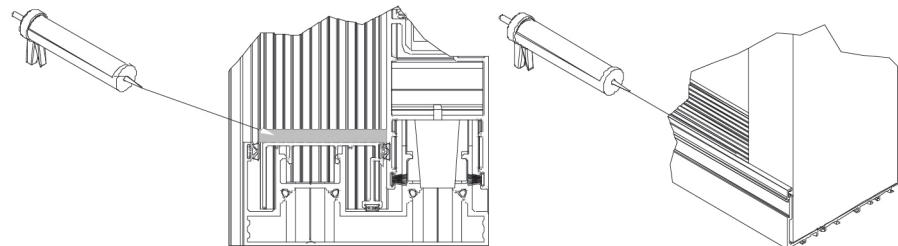
DETAIL B
SCALE 1:4

DETAIL B
SCALE 1:5

Apply silicone to cover the weatherstripping with the side of the door & gasket at Sill



Apply silicone to cover the vertical, horizontal joints & the vertical covers.



DETAIL A
SCALE 1:3

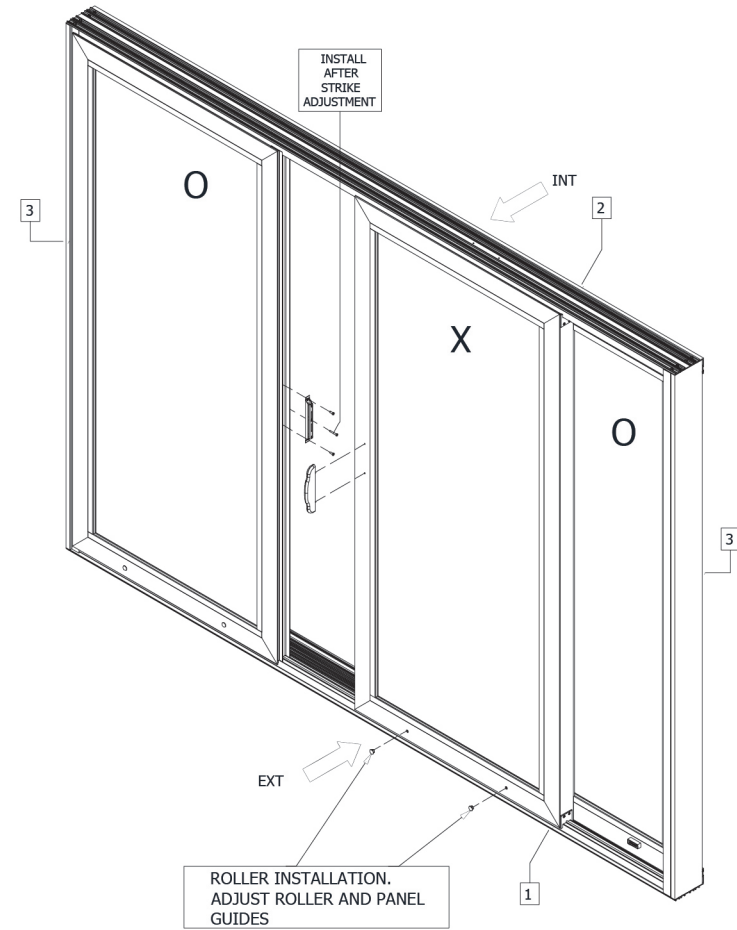
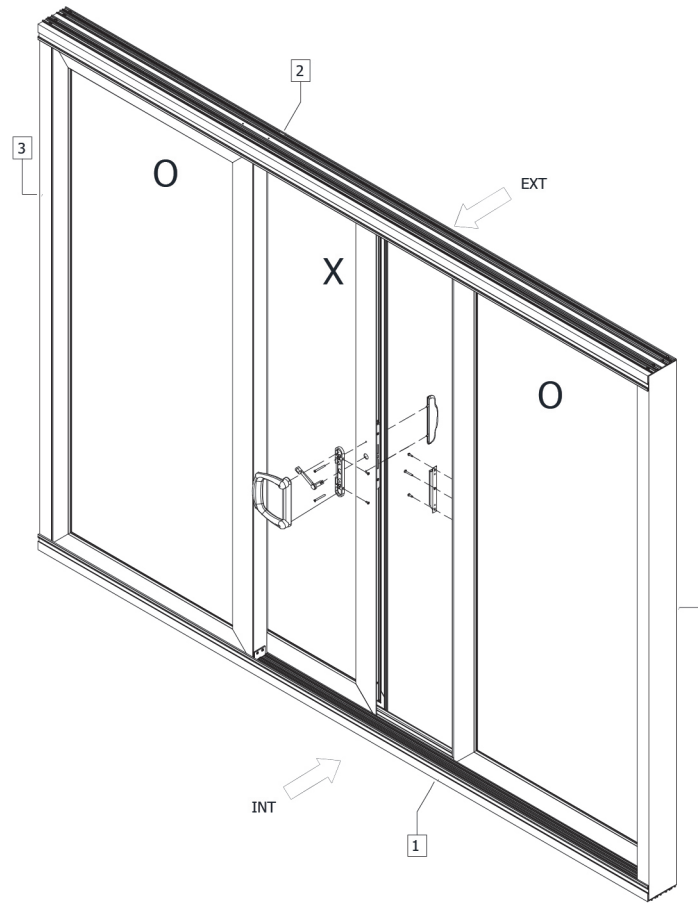
DETAIL A
ESCALA 1:5





OXO HANDLE INSTALLATION INSTRUCTIONS

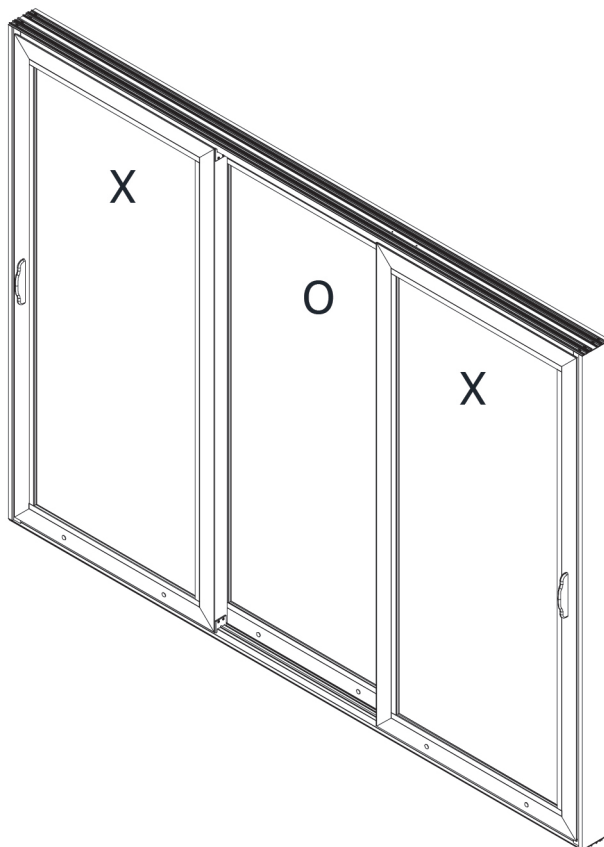
PART No.	DESCRIPTION:
1	SILL (1 U)
2	HEAD (1 U)
3	JAMBS (2 U)
4	HEX HEAD #12 x 1 1/2" (16 U)
5	TRACK SHORT (1 U)
6	TRACK LONG (1 U)
7	FLAT COVER LONG (1 U)
8	FLAT COVER SHORT (1 U)
9	VERTICAL COVER (2 U)
10	HORIZONTAL COVER (2 U)
11	AIR SEAL BRIDGE (4 U)
12	PANELS (3 U)
13	BUMPER (2 U)
14	PH-FH #10-16x3/4" LG SMS AISI 316 (20 U)
15	ROLLER ADJUST HOLE PLUG (6 U)
16	BOTTOM PANEL GUIDE (4 U)
17	TOP PANEL GUIDE (4 U)
18	STRIKER (1 U)
19	LOCK HANDLE SET (1 U)
20	PH-PH #10-16x1" LG SELF-DRILLING AISI 410 (15 U)
21	FIX PANEL ATTACHMENT (2 U)
22	PH-PH #10-16x1/2" LG SMS AISI 316 (4 U)





XOX PARTS

PART No.	DESCRIPTION:
1	SILL (1 U)
2	HEAD (1 U)
3	JAMBS (2 U)
4	HEX HEAD #12 x 1 1/2" (16 U)
5	TRACK SHORT (1 U)
6	TRACK LONG (1 U)
7	FLAT COVER LONG (1 U)
8	FLAT COVER SHORT (1 U)
9	VERTICAL COVER (2 U)
10	HORIZONTAL COVER (2 U)
11	AIR SEAL BRIDGE (4 U)
12	PANELS (3 U)
13	BUMPER (2 U)
14	PH-FH #10-16x3/4" LG SMS AISI 316 (24 U)
15	ROLLER ADJUST HOLE PLUG (6 U)
16	BOTTOM PANEL GUIDE (4 U)
17	TOP PANEL GUIDE (4 U)
18	STRIKER (1 U)
19	LOCK HANDLE SET (1 U)
20	PH-PH #10-16x1" LG SELF-DRILLING AISI 410 (14 U)
21	FIX PANEL ATTACHMENT (2 U)
22	PH-PH #10-16x1/2" LG SMS AISI 316 (8 U)
23	



For XOX configuration see pages 47-48 for Panel Type Selection.

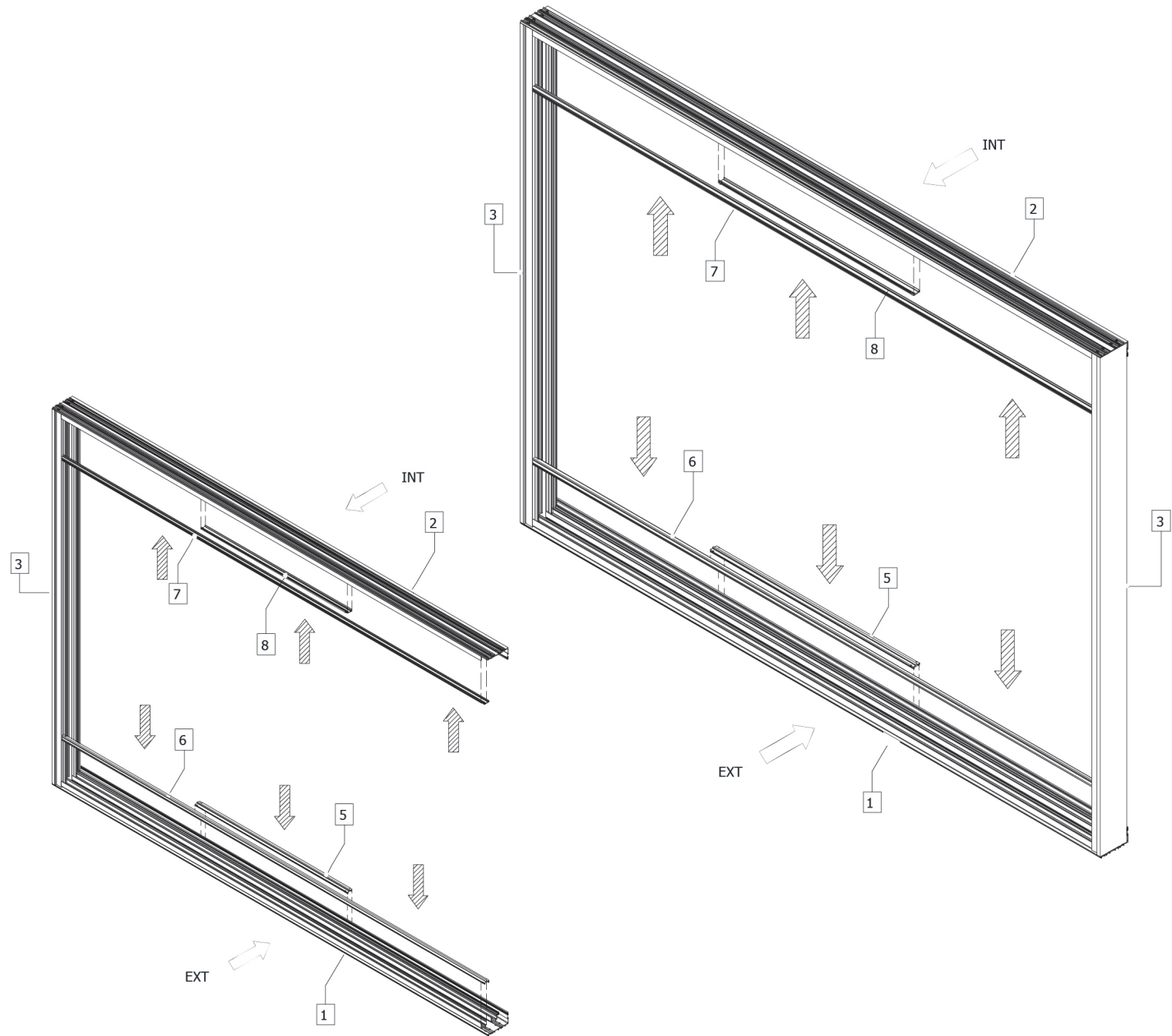
1 SILL 	6 TRACK LONG 	11 AIR SEAL BRIDGE 	17 PANEL GUIDE
2 HEAD 	7 FLAT COVER LONG 	12 PANELS 	18 STRIKER
3 JAMBS 	8 FLAT COVER SHORT 	13 BUMPER 	19 LOCK HANDLE SET
4 HEX HEAD #12 x 1 1/2" LG 	9 VERTICAL COVER 	14 PH-FH #10-16 x3/4" LG 	20 PH-PH #10-16x 1" LG
5 TRACK SHORT 	10 HORIZONTAL COVER 	15 ROLLER ADJUST HOLE PLUG 	21 FIX PANEL ATTACHMENT
		16 PANEL GUIDE 	22 PH-PH #10-16x 1/2" LG





XOX TRACK INSTRUCTIONS

PART No.	DESCRIPTION:
1	SILL (1 U)
2	HEAD (1 U)
3	JAMBS (2 U)
4	HEX HEAD #12 x 1 1/2" (16 U)
5	TRACK SHORT (1 U)
6	TRACK LONG (1 U)
7	FLAT COVER LONG (1 U)
8	FLAT COVER SHORT (1 U)
9	VERTICAL COVER (2 U)
10	HORIZONTAL COVER (2 U)
11	AIR SEAL BRIDGE (4 U)
12	PANELS (3 U)
13	BUMPER (2 U)
14	PH-FH #10-16x3/4" LG SMS AISI 316 (24 U)
15	ROLLER ADJUST HOLE PLUG (6 U)
16	BOTTOM PANEL GUIDE (4 U)
17	TOP PANEL GUIDE (4 U)
18	STRIKER (1 U)
19	LOCK HANDLE SET (1 U)
20	PH-PH #10-16x1" LG SELF-DRILLING AISI 410 (14 U)
21	FIX PANEL ATTACHMENT (2 U)
22	PH-PH #10-16x1/2" LG SMS AISI 316 (8 U)
23	



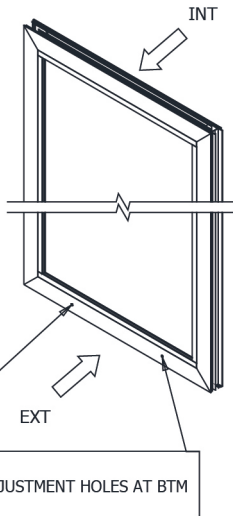
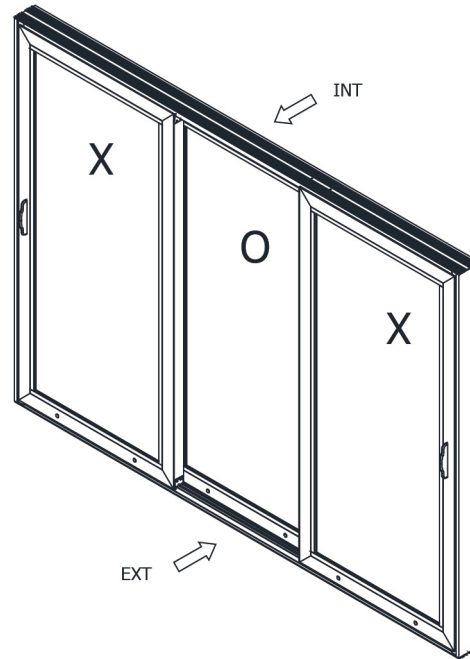


XOX PANELS INSTRUCTIONS

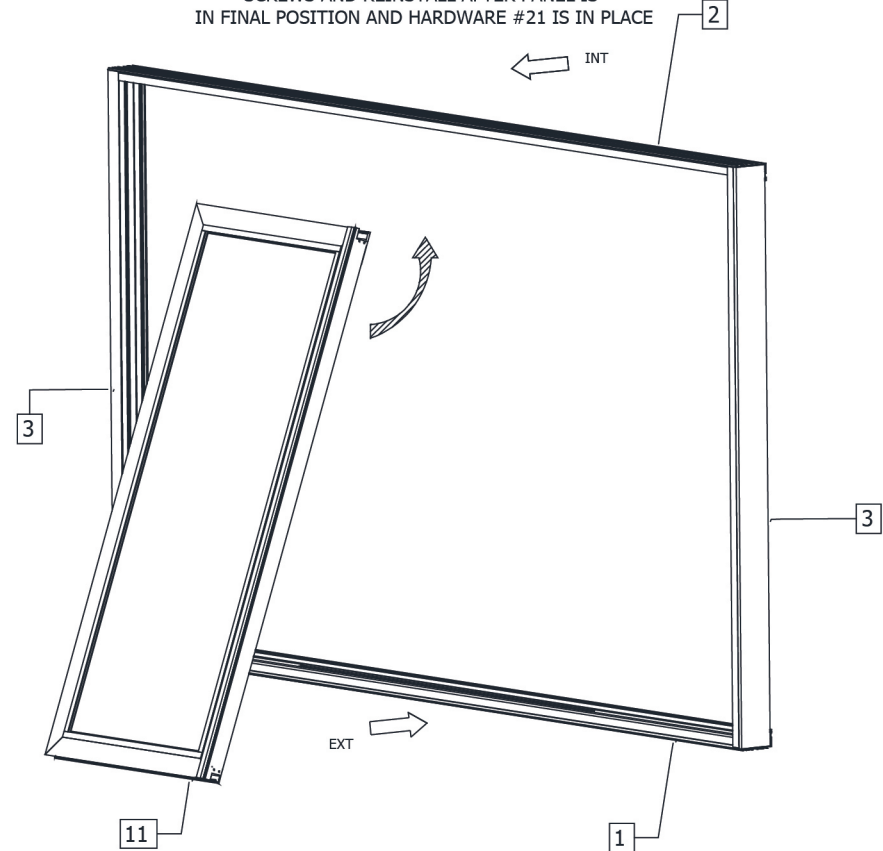
PART No.	DESCRIPTION:
1	SILL (1 U)
2	HEAD (1 U)
3	JAMBS (2 U)
4	HEX HEAD #12 x 1 1/2" (16 U)
5	TRACK SHORT (1 U)
6	TRACK LONG (1 U)
7	FLAT COVER LONG (1 U)
8	FLAT COVER SHORT (1 U)
9	VERTICAL COVER (2 U)
10	HORIZONTAL COVER (2 U)
11	AIR SEAL BRIDGE (4 U)
12	PANELS (3 U)
13	BUMPER (2 U)
14	PH-FH #10-16x3/4" LG SMS AISI 316 (24 U)
15	ROLLER ADJUST HOLE PLUG (6 U)
16	BOTTOM PANEL GUIDE (4 U)
17	TOP PANEL GUIDE (4 U)
18	STRIKER (1 U)
19	LOCK HANDLE SET (1 U)
20	PH-PH #10-16x1" LG SELF-DRILLING AISI 410 (14 U)
21	FIX PANEL ATTACHMENT (2 U)
22	PH-PH #10-16x1/2" LG SMS AISI 316 (8 U)
23	

NOTE:

All panels are installed the same way.
For the position of the panels with configuration XOX, See pages 47-48.

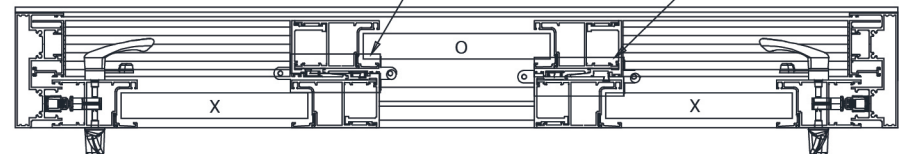


REMOVE PANEL INSTALLATION
SCREWS AND REINSTALL AFTER PANEL IS
IN FINAL POSITION AND HARDWARE #21 IS IN PLACE



Air seal bridge position at Sill & Head. Cannot be in final position during panel installation.

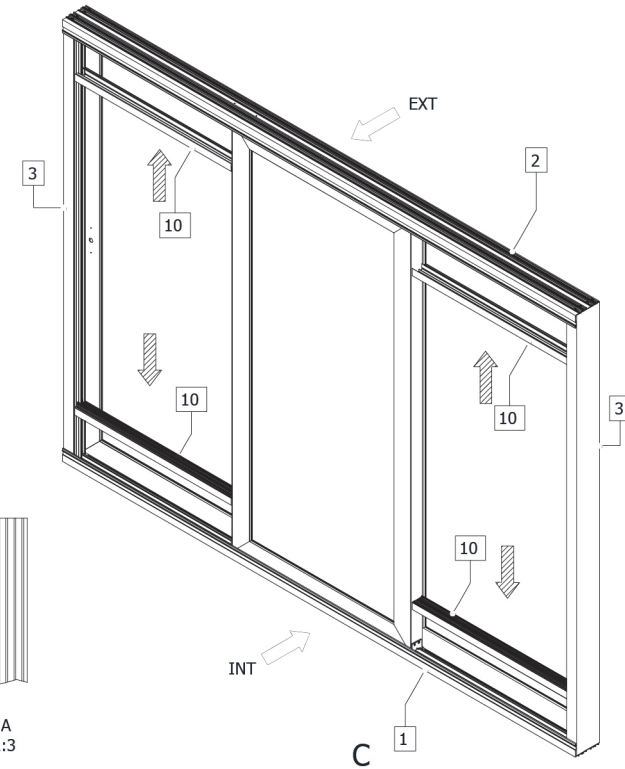
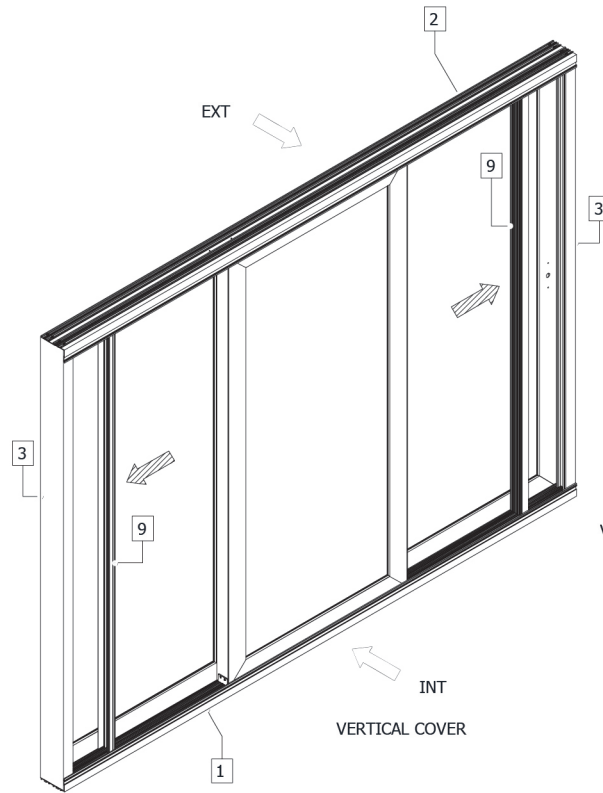
xox PANEL POSITIONS



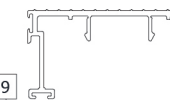
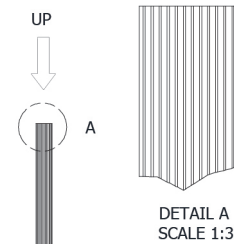


XOX COVERS INSTRUCTIONS

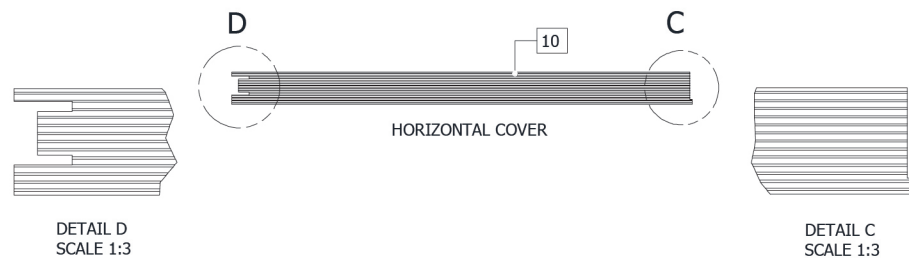
PART No.	DESCRIPTION:
1	SILL (1 U)
2	HEAD (1 U)
3	JAMBS (2 U)
4	HEX HEAD #12 x 1 1/2" (16 U)
5	TRACK SHORT (1 U)
6	TRACK LONG (1 U)
7	FLAT COVER LONG (1 U)
8	FLAT COVER SHORT (1 U)
9	VERTICAL COVER (2 U)
10	HORIZONTAL COVER (2 U)
11	AIR SEAL BRIDGE (4 U)
12	PANELS (3 U)
13	BUMPER (2 U)
14	PH-FH #10-16x3/4" LG SMS AISI 316 (24 U)
15	ROLLER ADJUST HOLE PLUG (6 U)
16	BOTTOM PANEL GUIDE (4 U)
17	TOP PANEL GUIDE (4 U)
18	STRIKER (1 U)
19	LOCK HANDLE SET (1 U)
20	PH-PH #10-16x1" LG SELF-DRILLING AISI 410 (14 U)
21	FIX PANEL ATTACHMENT (2 U)
22	PH-PH #10-16x1/2" LG SMS AISI 316 (8 U)
23	



VERTICAL COVER



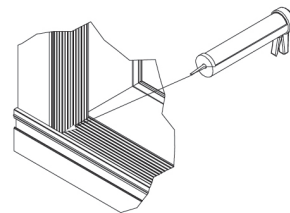
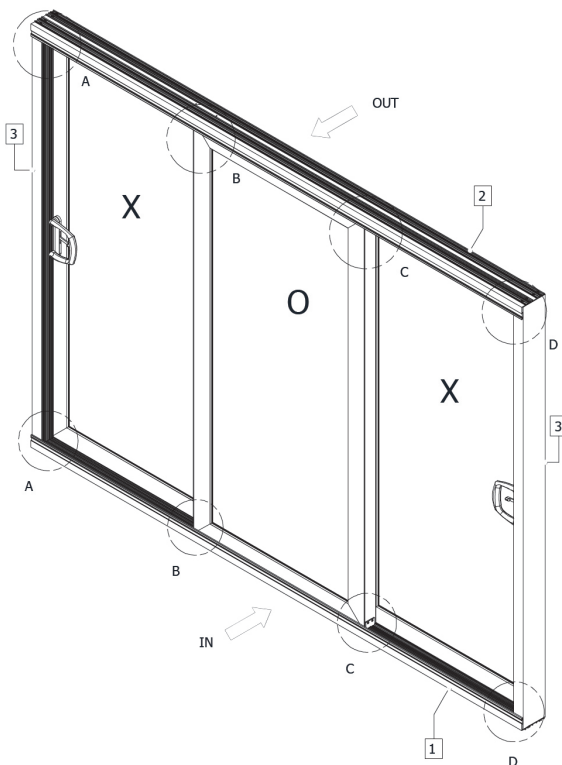
DOWN





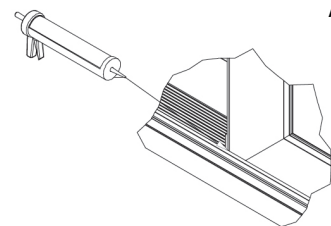
XOX APPLICATION OF SILICONE INSTRUCTIONS

PART No.	DESCRIPTION:
1	SILL (1 U)
2	HEAD (1 U)
3	JAMBS (2 U)
4	HEX HEAD #12 x 1 1/2" (16 U)
5	TRACK SHORT (1 U)
6	TRACK LONG (1 U)
7	FLAT COVER LONG (1 U)
8	FLAT COVER SHORT (1 U)
9	VERTICAL COVER (2 U)
10	HORIZONTAL COVER (2 U)
11	AIR SEAL BRIDGE (4 U)
12	PANELS (3 U)
13	BUMPER (2 U)
14	PH-FH #10-16x3/4" LG SMS AISI 316 (24 U)
15	ROLLER ADJUST HOLE PLUG (6 U)
16	BOTTOM PANEL GUIDE (4 U)
17	TOP PANEL GUIDE (4 U)
18	STRIKER (1 U)
19	LOCK HANDLE SET (1 U)
20	PH-PH #10-16x1" LG SELF-DRILLING AISI 410 (14 U)
21	FIX PANEL ATTACHMENT (2 U)
22	PH-PH #10-16x1/2" LG SMS AISI 316 (8 U)
23	



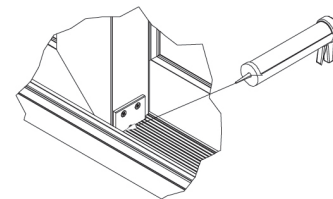
DETAIL A
SCALE 1:6

APPLY SILICONE TO MARRY VERTICAL & HORIZONTAL GASKET, AND HORIZONTAL & VERTICAL COVER



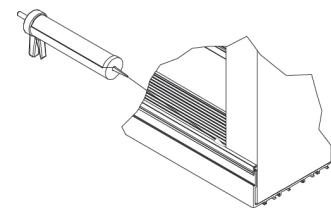
DETAIL B
SCALE 1:6

Apply silicone to cover the weatherstripping with the side of the door & gasket at Sill



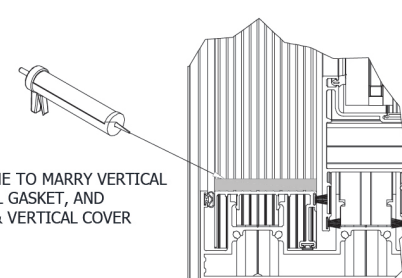
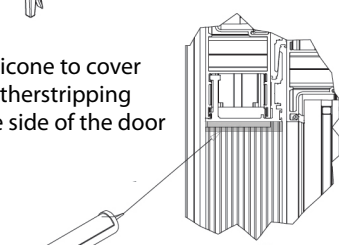
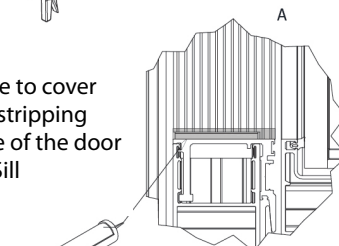
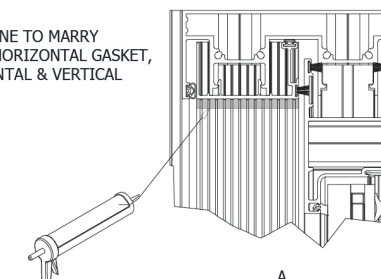
DETAIL C
SCALE 1:6

Apply silicone to cover the weatherstripping with the side of the door



DETAIL D
SCALE 1:6

APPLY SILICONE TO MARRY VERTICAL & HORIZONTAL GASKET, AND HORIZONTAL & VERTICAL COVER



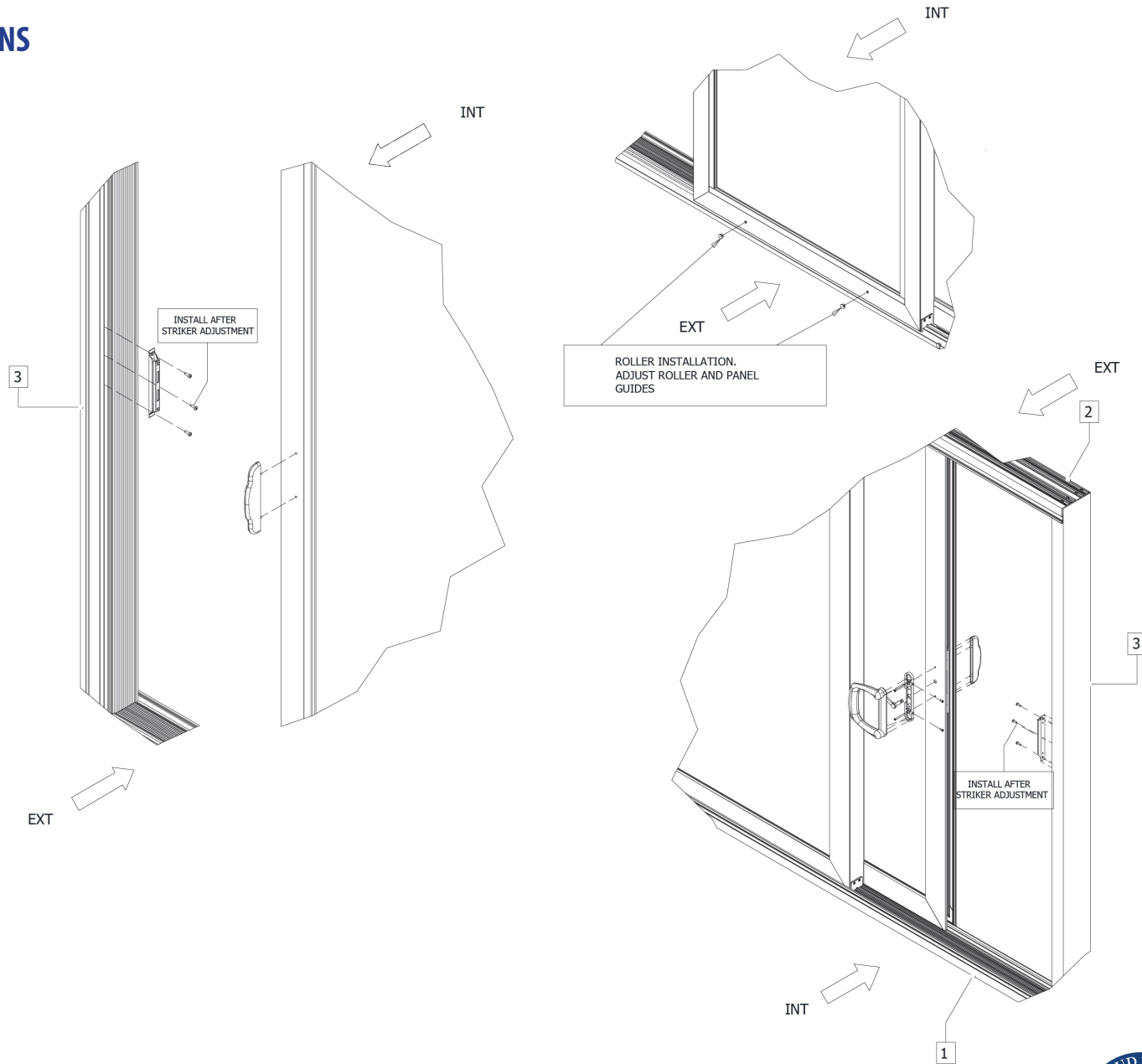
D





XOX HANDLE INSTALLATION INSTRUCTIONS

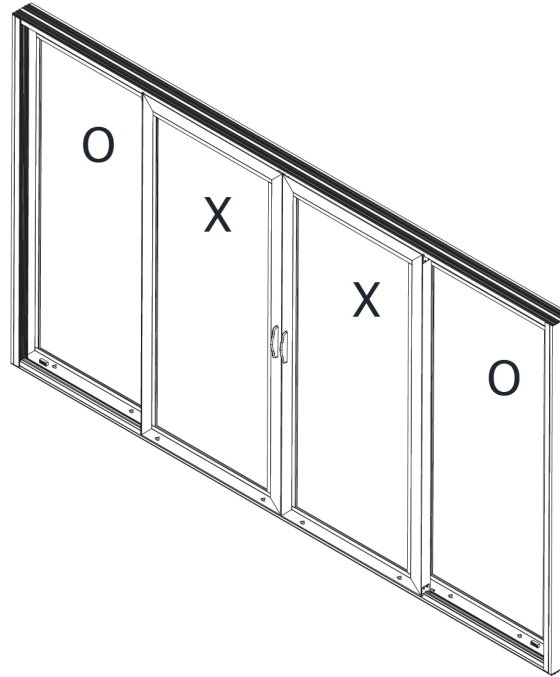
PART No.	DESCRIPTION:
1	SILL (1 U)
2	HEAD (1 U)
3	JAMBS (2 U)
4	HEX HEAD #12 x 1 1/2" (16 U)
5	TRACK SHORT (1 U)
6	TRACK LONG (1 U)
7	FLAT COVER LONG (1 U)
8	FLAT COVER SHORT (1 U)
9	VERTICAL COVER (2 U)
10	HORIZONTAL COVER (2 U)
11	AIR SEAL BRIDGE (4 U)
12	PANELS (3 U)
13	BUMPER (2 U)
14	PH-FH #10-16x3/4" LG SMS AISI 316 (24 U)
15	ROLLER ADJUST HOLE PLUG (6 U)
16	BOTTOM PANEL GUIDE (4 U)
17	TOP PANEL GUIDE (4 U)
18	STRIKER (1 U)
19	LOCK HANDLE SET (1 U)
20	PH-PH #10-16x1" LG SELF-DRILLING AISI 410 (14 U)
21	FIX PANEL ATTACHMENT (2 U)
22	PH-PH #10-16x1/2" LG SMS AISI 316 (8 U)
23	



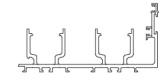

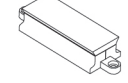
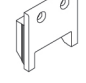


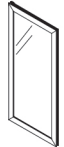

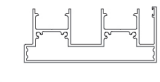


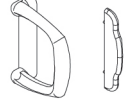

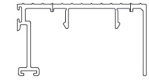

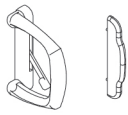
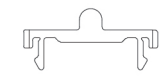



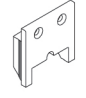
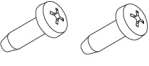


OXXO PARTS

PART No.	DESCRIPTION:
1	SILL (1 U)
2	HEAD (1 U)
3	JAMBS (2 U)
4	HEX HEAD #12 x 1 1/2" SMS AISI 410 (16 U)
5	TRACK SHORT (2 U)
6	TRACK LONG (1 U)
7	FLAT COVER LONG (1 U)
8	FLAT COVER SHORT (2 U)
9	VERTICAL COVER (2 U)
10	HORIZONTAL COVER (2 U)
11	AIR SEAL BRIDGE (4 U)
12	PANELS (4 U)
13	BUMPER (2 U)
14	PH-FH #10-16x3/4" LG SMS AISI 316 (32 U)
15	ROLLER ADJUST HOLE PLUG
16	BOTTOM PANEL GUIDE
17	TOP PANEL GUIDE
18	STRIKER
19	DOOR HANDLE SET
20	LOCK HANDLE SET
21	PH-PH #10-16x1" LG SELF-DRILLING AISI 410 (12 U)
22	PH-PH #10-16x1/2" LG SMS AISI 316 (8 U)
23	



For OXXO configuration see pages 47-48 for Panel Type Selection.

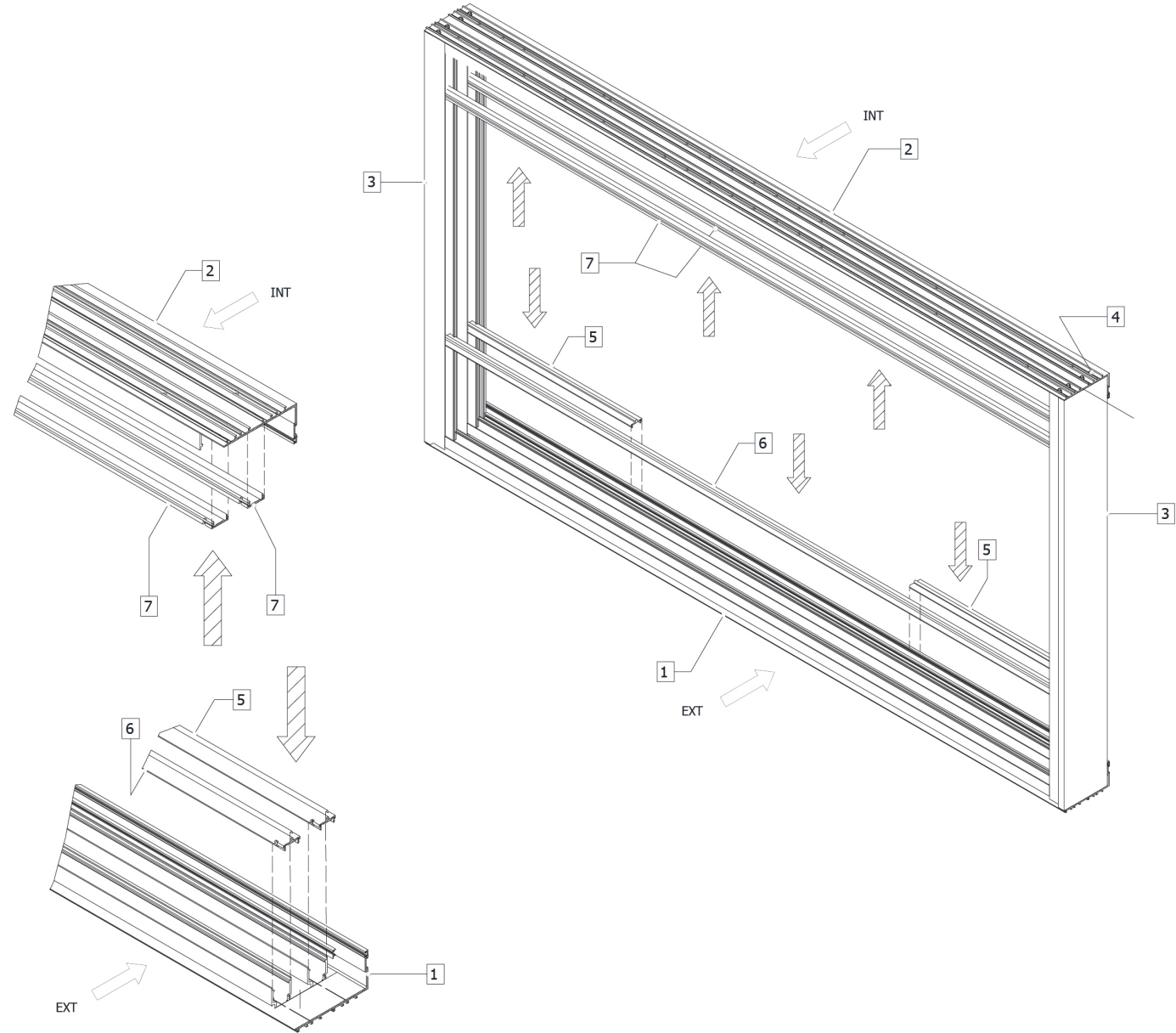
1 SILL 	6 TRACK LONG 	11 AIR SEAL BRIDGE 	17 TOP PANEL GUIDE 
2 HEAD 	7 FLAT COVER LONG 	12 PANELS 	18 STRIKER 
3 JAMBS 	8 FLAT COVER SHORT 	13 BUMPER 	19 DOOR HANDLE SET 
4 HEX HEAD #12 x 1 1/2" LG 	9 VERTICAL COVER 	14 PH-FH #10-16 x3/4" LG 	20 LOCK HANDLE SET 
5 TRACK SHORT 	10 HORIZONTAL COVER 	15 ROLLER ADJUST HOLE PLUG 	21 PH-PH #10-16x 1" LG 
		16 BOTTOM PANEL GUIDE 	22 PH-PH #10-16x 1/2" LG 





OXXO TRACK INSTRUCTIONS

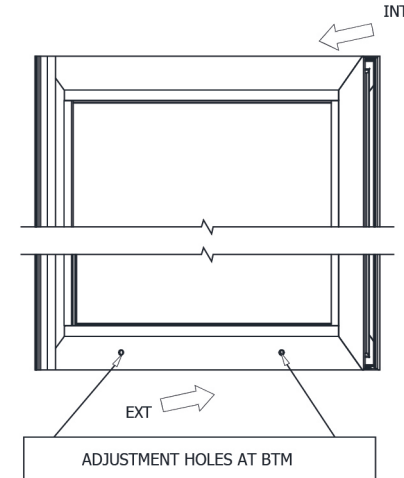
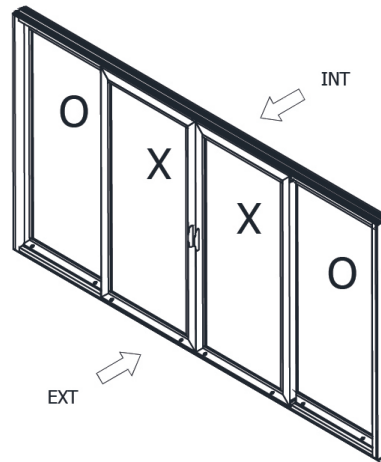
PART No.	DESCRIPTION:
1	SILL (1 U)
2	HEAD (1 U)
3	JAMBS (2 U)
4	HEX HEAD #12 x 1 1/2" SMS AISI 410 (16 U)
5	TRACK SHORT (2 U)
6	TRACK LONG (1 U)
7	FLAT COVER LONG (1 U)
8	FLAT COVER SHORT (2 U)
9	VERTICAL COVER (2 U)
10	HORIZONTAL COVER (2 U)
11	AIR SEAL BRIDGE (4 U)
12	PANELS (4 U)
13	BUMPER (2 U)
14	PH-FH #10-16x3/4" LG SMS AISI 316 (32 U)
15	ROLLER ADJUST HOLE PLUG
16	BOTTOM PANEL GUIDE
17	TOP PANEL GUIDE
18	STRIKER
19	DOOR HANDLE SET
20	LOCK HANDLE SET
21	PH-PH #10-16x1" LG SELF-DRILLING AISI 410 (12 U)
22	PH-PH #10-16x1/2" LG SMS AISI 316 (8 U)
23	





OXXO PANELS INSTRUCTIONS

PART No.	DESCRIPTION:
1	SILL (1 U)
2	HEAD (1 U)
3	JAMBS (2 U)
4	HEX HEAD #12 x 1 1/2" SMS AISI 410 (16 U)
5	TRACK SHORT (2 U)
6	TRACK LONG (1 U)
7	FLAT COVER LONG (1 U)
8	FLAT COVER SHORT (2 U)
9	VERTICAL COVER (2 U)
10	HORIZONTAL COVER (2 U)
11	AIR SEAL BRIDGE (4 U)
12	PANELS (4 U)
13	BUMPER (2 U)
14	PH-FH #10-16x3/4" LG SMS AISI 316 (32 U)
15	ROLLER ADJUST HOLE PLUG
16	BOTTOM PANEL GUIDE
17	TOP PANEL GUIDE
18	STRIKER
19	DOOR HANDLE SET
20	LOCK HANDLE SET
21	PH-PH #10-16x1" LG SELF-DRILLING AISI 410 (12 U)
22	PH-PH #10-16x1/2" LG SMS AISI 316 (8 U)
23	



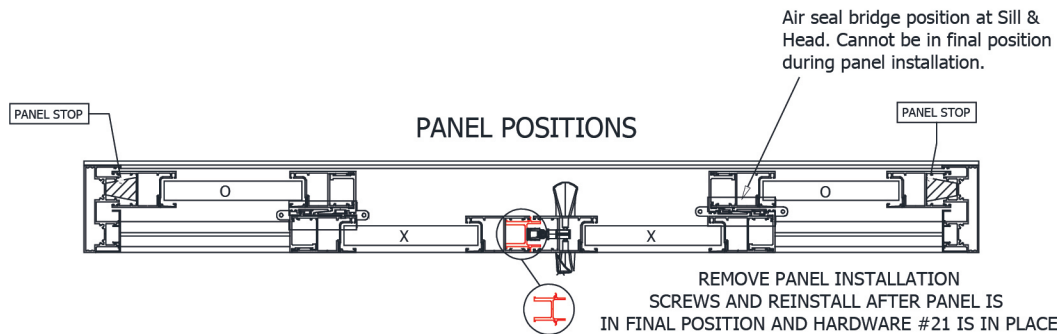
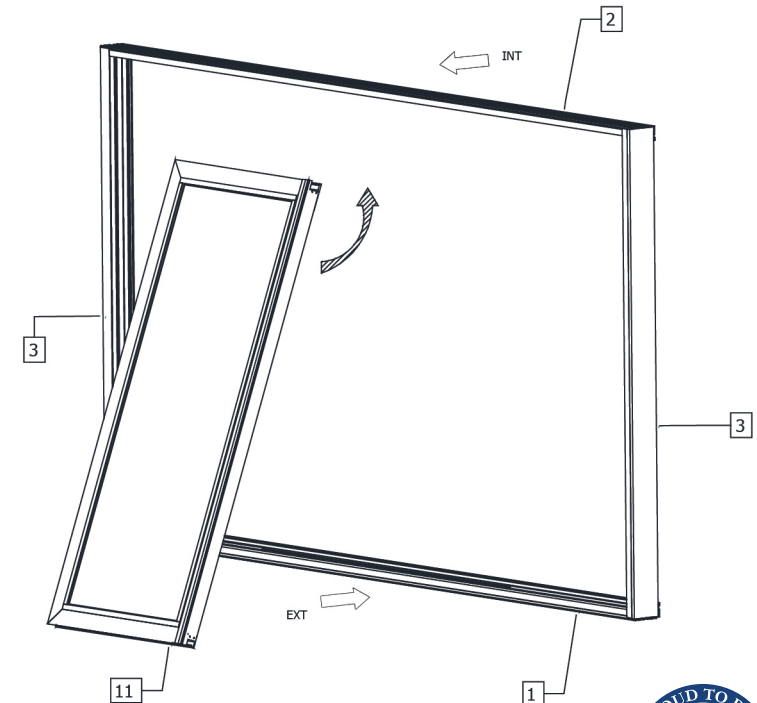
NOTE:

All panels are installed the same way.

For the position of the panels with configuration OXXO, See pages 47-48.

Panels type A & D are fixed and must be installed in the exterior track.

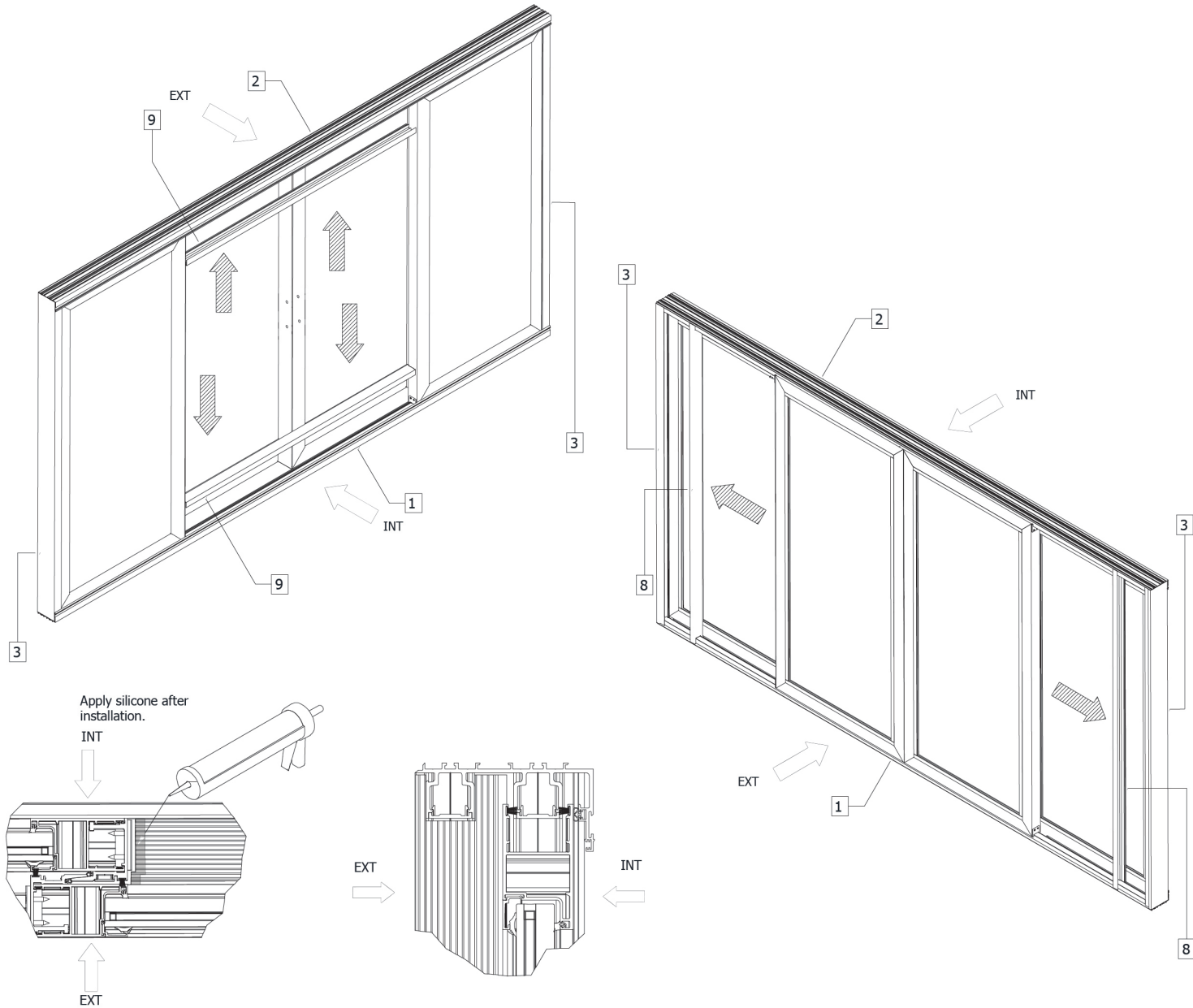
Panels type B & C are mobile and must be installed in the interior track.





OXXO COVERS INSTRUCTIONS

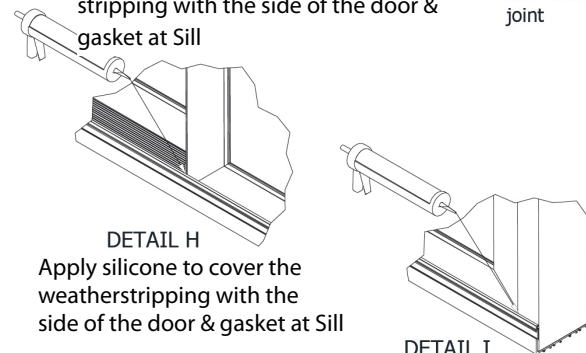
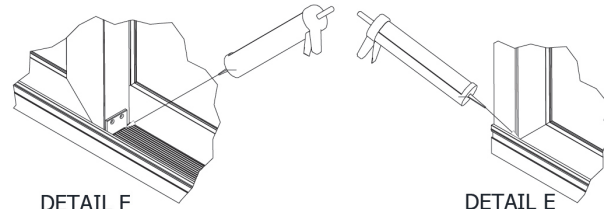
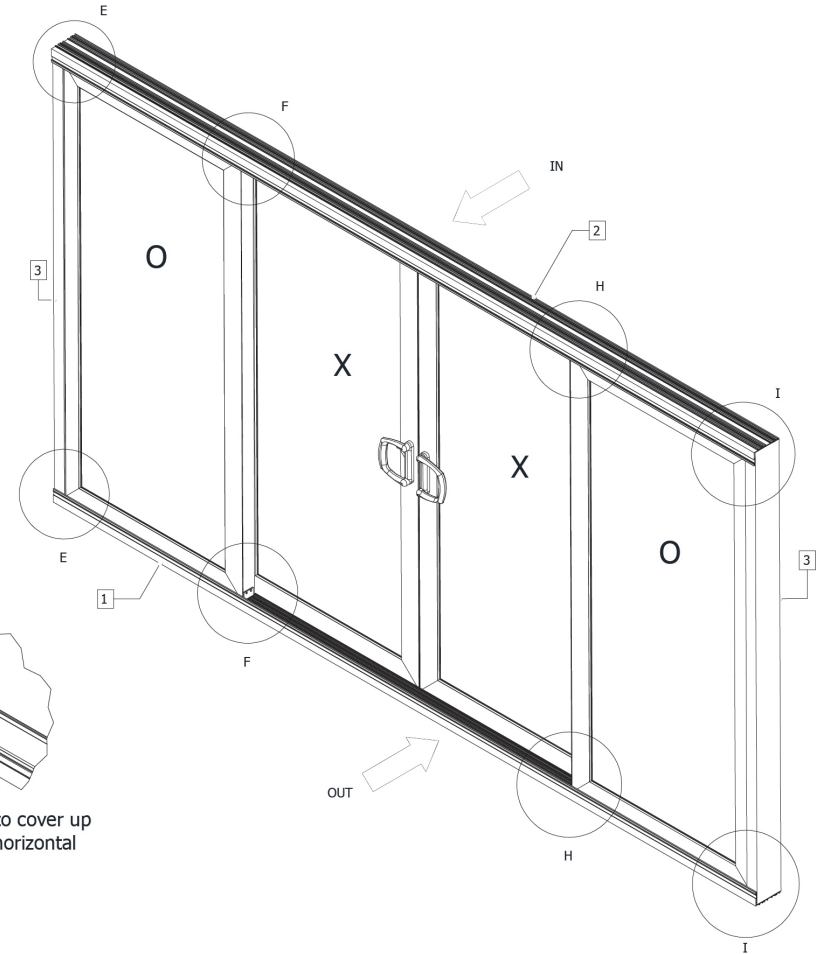
PART No.	DESCRIPTION:
1	SILL (1 U)
2	HEAD (1 U)
3	JAMBS (2 U)
4	HEX HEAD #12 x 1 1/2" SMS AISI 410 (16 U)
5	TRACK SHORT (2 U)
6	TRACK LONG (1 U)
7	FLAT COVER LONG (1 U)
8	FLAT COVER SHORT (2 U)
9	VERTICAL COVER (2 U)
10	HORIZONTAL COVER (2 U)
11	AIR SEAL BRIDGE (4 U)
12	PANELS (4 U)
13	BUMPER (2 U)
14	PH-FH #10-16x3/4" LG SMS AISI 316 (32 U)
15	ROLLER ADJUST HOLE PLUG
16	BOTTOM PANEL GUIDE
17	TOP PANEL GUIDE
18	STRIKER
19	DOOR HANDLE SET
20	LOCK HANDLE SET
21	PH-PH #10-16x1" LG SELF-DRILLING AISI 410 (12 U)
22	PH-PH #10-16x1/2" LG SMS AISI 316 (8 U)
23	





OXO APPLICATION OF SILICONE INSTRUCTIONS

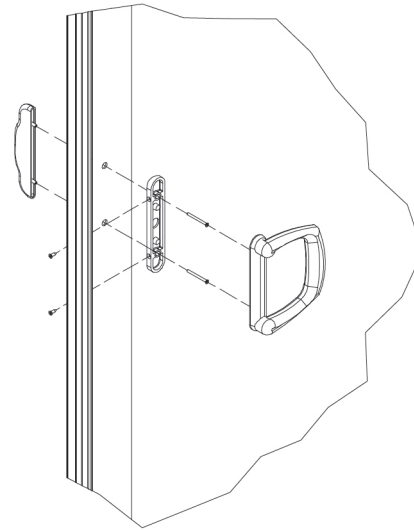
PART No.	DESCRIPTION:
1	SILL (1 U)
2	HEAD (1 U)
3	JAMBS (2 U)
4	HEX HEAD #12 x 1 1/2" SMS AISI 410 (16 U)
5	TRACK SHORT (2 U)
6	TRACK LONG (1 U)
7	FLAT COVER LONG (1 U)
8	FLAT COVER SHORT (2 U)
9	VERTICAL COVER (2 U)
10	HORIZONTAL COVER (2 U)
11	AIR SEAL BRIDGE (4 U)
12	PANELS (4 U)
13	BUMPER (2 U)
14	PH-FH #10-16x3/4" LG SMS AISI 316 (32 U)
15	ROLLER ADJUST HOLE PLUG
16	BOTTOM PANEL GUIDE
17	TOP PANEL GUIDE
18	STRIKER
19	DOOR HANDLE SET
20	LOCK HANDLE SET
21	PH-PH #10-16x1" LG SELF-DRILLING AISI 410 (12 U)
22	PH-PH #10-16x1/2" LG SMS AISI 316 (8 U)
23	



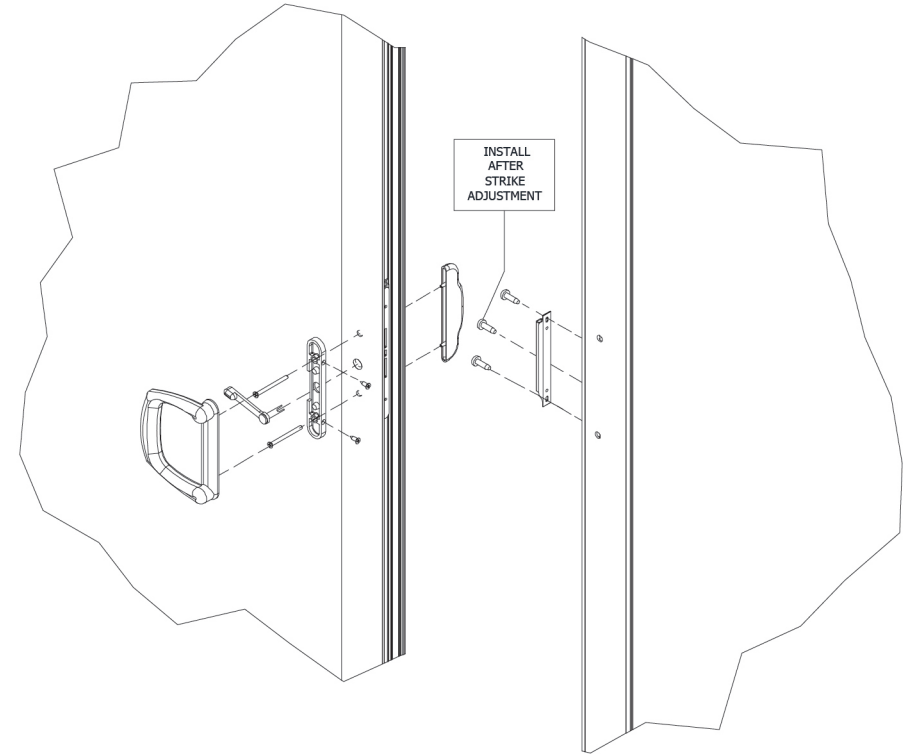
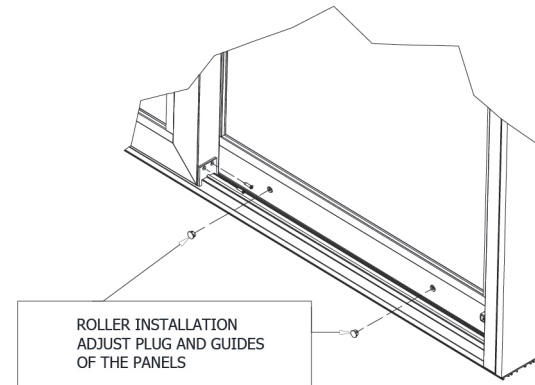


OXO HANDLE INSTALLATION INSTRUCTIONS

PART No.	DESCRIPTION:
1	SILL (1 U)
2	HEAD (1 U)
3	JAMBS (2 U)
4	HEX HEAD #12 x 1 1/2" SMS AISI 410 (16 U)
5	TRACK SHORT (2 U)
6	TRACK LONG (1 U)
7	FLAT COVER LONG (1 U)
8	FLAT COVER SHORT (2 U)
9	VERTICAL COVER (2 U)
10	HORIZONTAL COVER (2 U)
11	AIR SEAL BRIDGE (4 U)
12	PANELS (4 U)
13	BUMPER (2 U)
14	PH-FH #10-16x3/4" LG SMS AISI 316 (32 U)
15	ROLLER ADJUST HOLE PLUG
16	BOTTOM PANEL GUIDE
17	TOP PANEL GUIDE
18	STRIKER
19	DOOR HANDLE SET
20	LOCK HANDLE SET
21	PH-PH #10-16x1" LG SELF-DRILLING AISI 410 (12 U)
22	PH-PH #10-16x1/2" LG SMS AISI 316 (8 U)
23	



HANDLE INSTALLATION

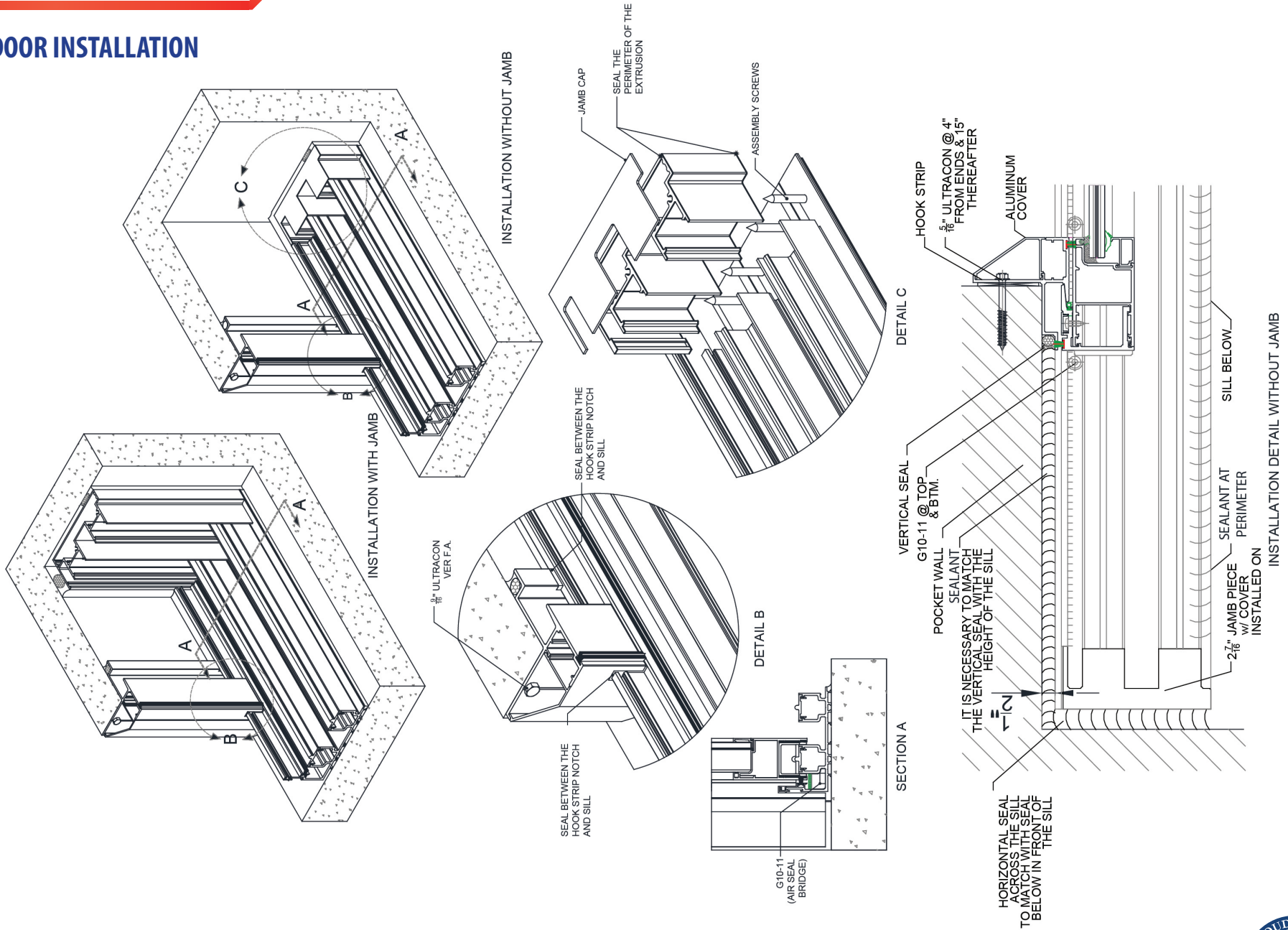


DOOR CLOSER INSTALLATION





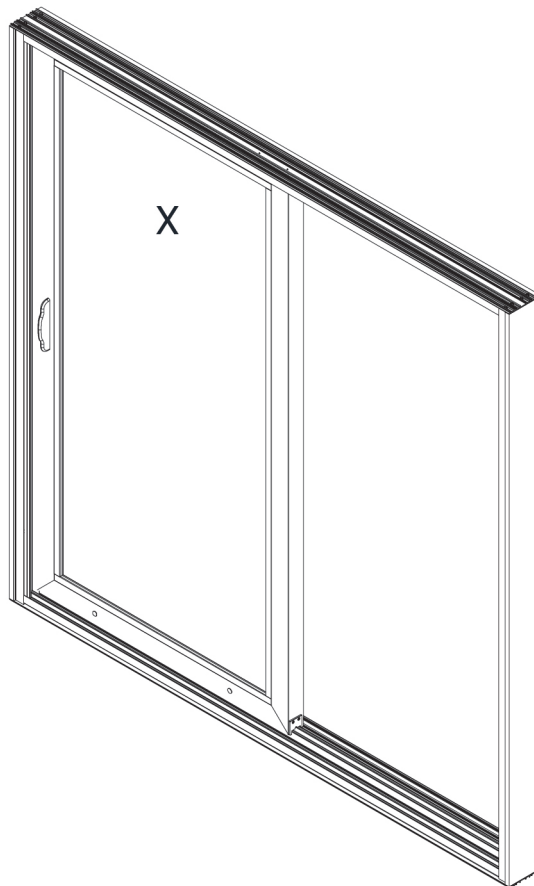
POCKET DOOR INSTALLATION



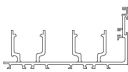


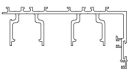


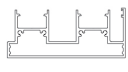



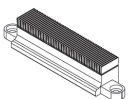
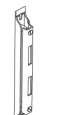
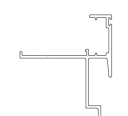


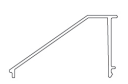






XP AND PX PACKAGE

PART No.	DESCRIPTION
1	SILL (1 U)
2	HEAD (1 U)
3	JAMBS (2 U)
4	HEX HEAD #12 x 1 1/2" SMS. AISI 410 (16 U)
5	HOOK STRIP (1 U)
6	HOOK STRIP COVER (1 U)
7	TRACK LONG (1 U)
8	FLAT COVER LONG (3 U)
9	PH-PH #10-16 x 1" SELF DRILLING. AISI 410 (8 U)
10	VERTICAL COVER (1 U)
11	AIR SEAL BRIDGE G10-11 (1 U)
12	PANEL (1 U)
13	BUMPER (2 U)
14	PH-FH #10-16 x 3/4" SMS. AISI 316 (4 U)
15	ROLLER ADJUST HOLE PLUG (2 U)
16	BOTTOM PANEL GUIDE (1 U)
17	TOP PANEL GUIDE (1 U)
18	STRIKER (1 U)
19	LOCK HANDLE SET (1 U)
20	PH-PH #10-16 x 1/2" SMS. AISI 316 (4 U)
21	
22	
23	
24	
25	



For XP/PX configuration see pages 47-48 for Panel Type Selection.

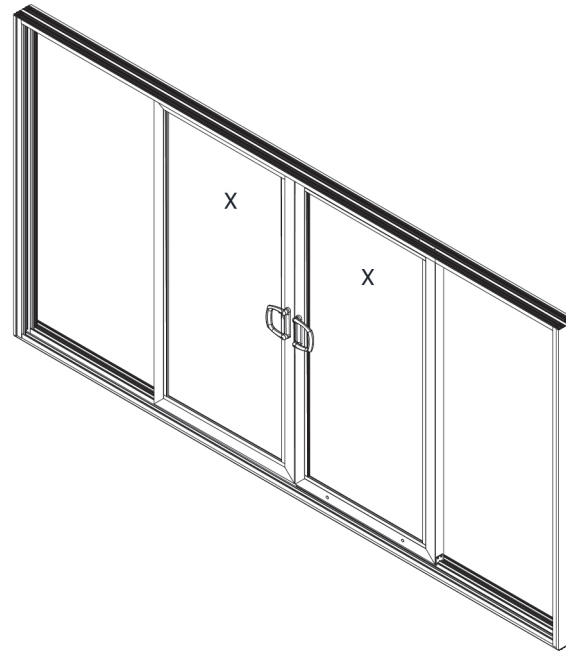
1 SILL 	8 FLAT COVER LONG 	15 ROLLER ADJUST HOLE PLUG 	<input type="checkbox"/>
2 HEAD 	9 SCREWS 10-16 SELF-DRILLING 	16 BOTTOM PANEL GUIDE 	<input type="checkbox"/>
3 JAMBS 	10 VERTICAL COVER 	17 TOP PANEL GUIDE 	<input type="checkbox"/>
4 SCREWS #12 x 1 1/2" 	11 AIR SEAL BRIDGE 	18 STRIKER 	<input type="checkbox"/>
5 	12 PANELS 	19 LOCK HANDLE SET 	<input type="checkbox"/>
6 HOOK STRIP COVER 	13 BUMPER 	20 SCREWS 10-16 SELF-DRILLING 	<input type="checkbox"/>
7 TRACK LONG 	14 SCREWS #10-16x 3/4" LG FLAT 	<input type="checkbox"/>	<input type="checkbox"/>





PXXP KD PACKAGE

PART No.	DESCRIPTION:
1	SILL (1 U)
2	HEAD (1 U)
3	JAMBS (2 U)
4	HEX HEAD #12 x 1 1/2" SMS. AISI 410 (16 U)
5	HOOK STRIP (2 U)
6	HOOK STRIP COVER (2 U)
7	TRACK LONG (1 U)
8	FLAT COVER LONG (3 U)
9	PH-PH #10-16 x 1" SELF DRILLING. AISI 410 (12 U)
10	AIR SEAL BRIDGE G10-11 (4 U)
11	PANEL (2 U)
12	BUMPER (4 U)
13	PH-FH #10-16 x 3/4" SMS. AISI 316 (8 U)
14	ROLLER ADJUST HOLE PLUG (4 U)
15	BOTTOM PANEL GUIDE (2 U)
16	TOP PANEL GUIDE (2 U)
17	STRIKER (1 U)
18	LOCK HANDLE SET (1 U)
19	PH-PH #10-16 x 1/2" SMS. AISI 316 (8 U)
20	PULL HANDLE SET (1 U)
21	
22	
23	
24	
25	



For PXXP configuration see pages 47-48 for Panel Type Selection.

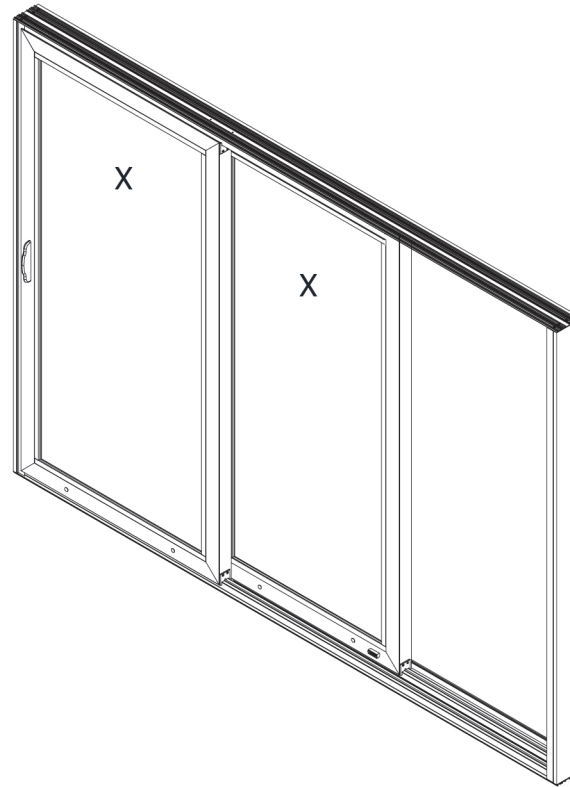
1 SILL 	8 FLAT COVER LONG 	15 BOTTOM PANEL GUIDE 	
2 HEAD 	9 SCREWS 10-16 SELF-DRILLING 	16 TOP PANEL GUIDE 	
3 JAMBS 	10 AIR SEAL BRIDGE 	17 STRIKER 	
4 SCREWS #12 x 1 1/2" 	11 PANELS 	18 LOCK HANDLE SET 	
5 	12 BUMPER 	19 SCREWS 10-16 SELF-DRILLING 	
6 HOOK STRIP COVER 	13 SCREWS #10-16x 3/4" LG FLAT 	20 PULL HANDLE SET 	
7 TRACK LONG 	14 ROLLER ADJUST HOLE PLUG 	21 	





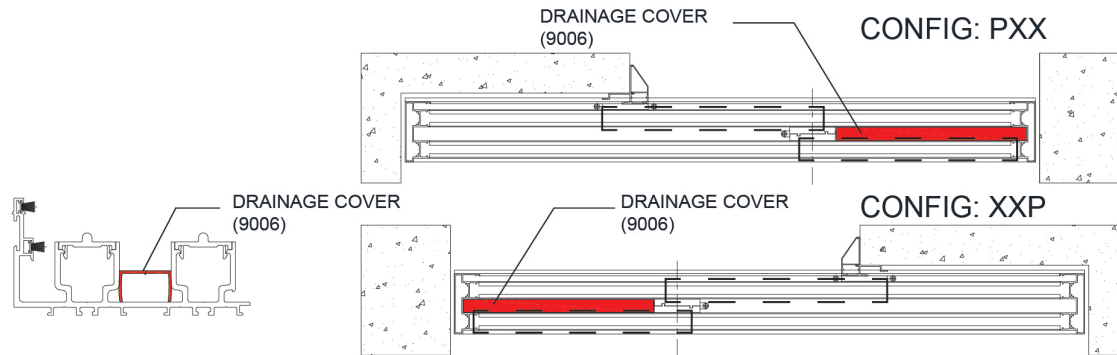
PXX AND XXP KD PACKAGE

PART No.	DESCRIPTION:
1	SILL (1 U)
2	HEAD (1 U)
3	JAMBS (2 U)
4	HEX HEAD #12 x 1 1/2" SMS. AISI 410 (16 U)
5	HOOK STRIP (1 U)
6	HOOK STRIP COVER (1 U)
7	TRACK LONG (2 U)
8	FLAT COVER LONG (2 U)
9	PH-PH #10-16 x 1" SELF DRILLING. AISI 410 (12 U)
10	VERTICAL COVER (1 U)
11	AIR SEAL BRIDGE G10-11 (2 U)
12	PANEL (2 U)
13	BUMPER (4 U)
14	PH-FH #10-16 x 3/4" SMS. AISI 316 (8 U)
15	ROLLER ADJUST HOLE PLUG (4 U)
16	BOTTOM PANEL GUIDE (2 U)
17	TOP PANEL GUIDE (2 U)
18	STRIKER (1 U)
19	LOCK HANDLE SET (1 U)
20	PH-PH #10-16 x 1/2" SMS. AISI 316 (8 U)
21	AIR SEAL BRIDGE G10-09 (2 U)
22	DRAINAGE COVER (1 U)
23	
24	
25	



For XP/PX configuration see pages 47-48 for Panel Type Selection.

1 SILL	8 FLAT COVER LONG	15 ROLLER ADJUST HOLE PLUG	22 DRAINAGE COVER
2 HEAD	9 SCREWS 10-16 SELF-DRILLING	16 BOTTOM PANEL GUIDE	
3 JAMBS	10 VERTICAL COVER	17 TOP PANEL GUIDE	
4 SCREWS #12 x 1 1/2"	11 AIR SEAL BRIDGE	18 STRIKER	
5	12 PANELS	19 LOCK HANDLE SET	
6 HOOK STRIP COVER	13 BUMPER	20 SCREWS 10-16 SELF-DRILLING	
7 TRACK LONG	14 SCREWS #10-16x 3/4" LG FLAT	21 AIR SEAL BRIDGE	



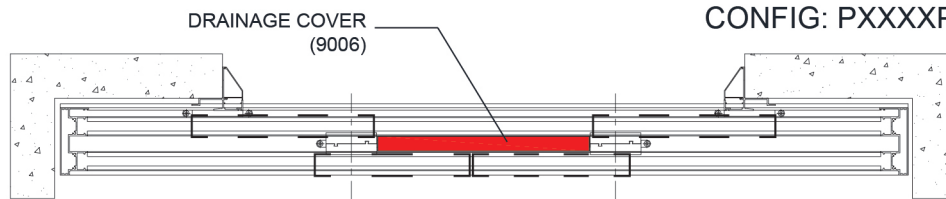
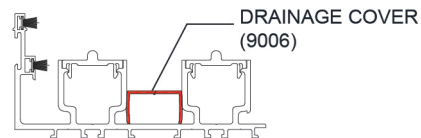


PXXXXP KD PACKAGE

PART No.	DESCRIPTION:
1	SILL (1 U)
2	HEAD (1 U)
3	JAMBS (2 U)
4	HEX HEAD #12 x 1 1/2" SMS. AISI 410 (16 U)
5	HOOK STRIP (2 U)
6	HOOK STRIP COVER (2 U)
7	TRACK LONG (2 U)
8	FLAT COVER LONG (2 U)
9	PH-PH #10-16 x 1" SELF DRILLING. AISI 410 (20 U)
10	AIR SEAL BRIDGE G10-11 (4 U)
11	PANEL (4 U)
12	BUMPER (8 U)
13	PH-FH #10-16 x 3/4" SMS. AISI 316 (24 U)
14	ROLLER ADJUST HOLE PLUG (8 U)
15	BOTTOM PANEL GUIDE (6 U)
16	TOP PANEL GUIDE (6 U)
17	STRIKER (1 U)
18	LOCK HANDLE SET (1 U)
19	PH-PH #10-16 x 1/2" SMS. AISI 316 (16 U)
20	AIR SEAL BRIDGE (4 U)
21	PULL HANDLE SET (1 U)
22	DRAINAGE COVER (1 U)
23	
24	
25	



For PXXXXP configuration see pages 47-48 for Panel Type Selection.

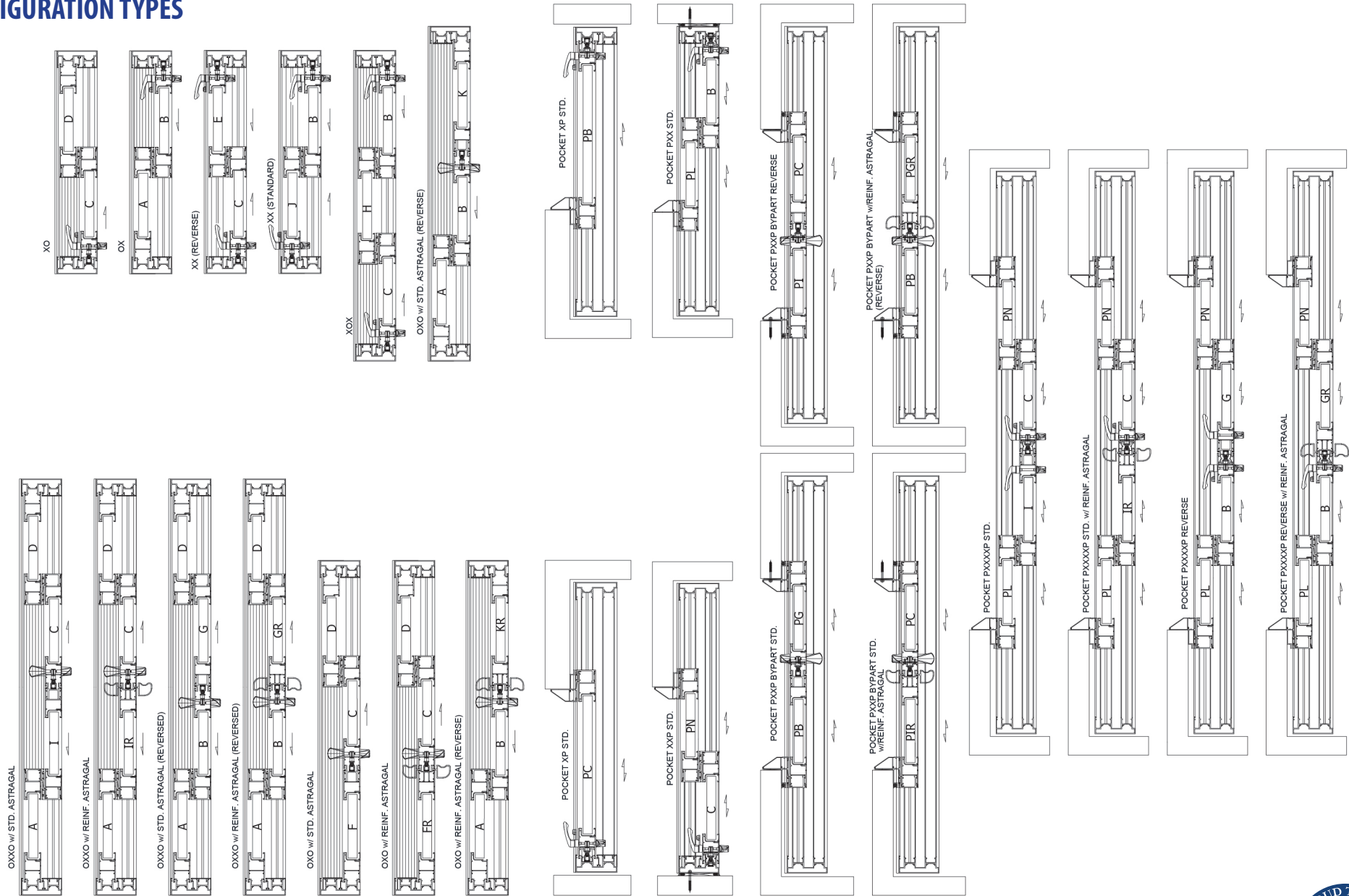


1 SILL	8 FLAT COVER LONG	15 BOTTOM PANEL GUIDE	22 DRAINAGE COVER
2 HEAD	9 SCREWS 10-16 SELF-DRILLING	16 TOP PANEL GUIDE	
3 JAMBS	10 AIR SEAL BRIDGE	17 STRIKER	
4 SCREWS #12 x 1 1/2"	11 PANELS	18 LOCK HANDLE SET	
5	12 BUMPER	19 SCREWS 10-16 SELF-DRILLING	
6 HOOK STRIP COVER	13 SCREWS #10-16x 3/4" LG FLAT	20 AIR SEAL BRIDGE	
7 TRACK LONG	14 ROLLER ADJUST HOLE PLUG	21 PULL HANDLE SET	



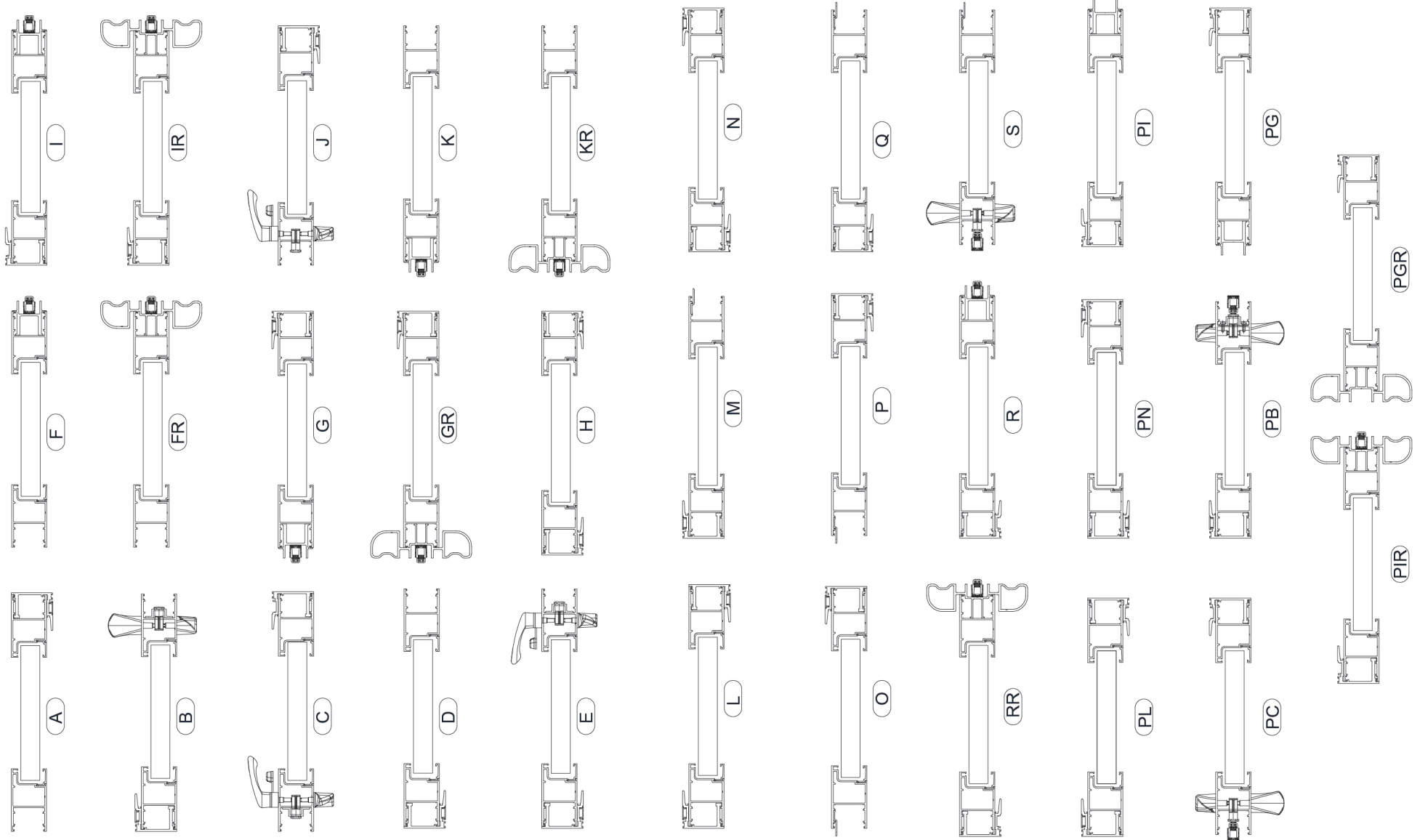


CONFIGURATION TYPES





PANEL TYPES

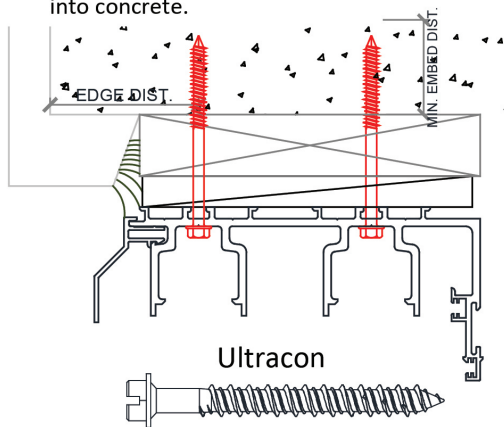




ANCHORS

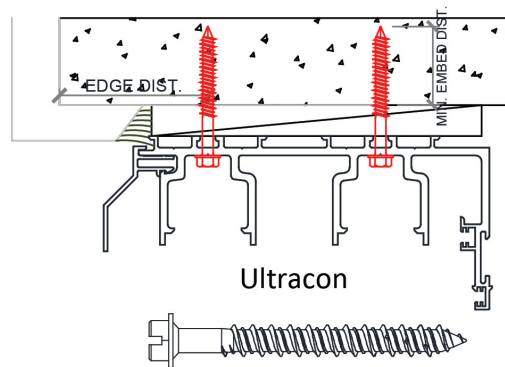
Anchor options for Series MG-1000 include:

a. THRU "1 BY" with 1 1/4" min. embed into concrete.



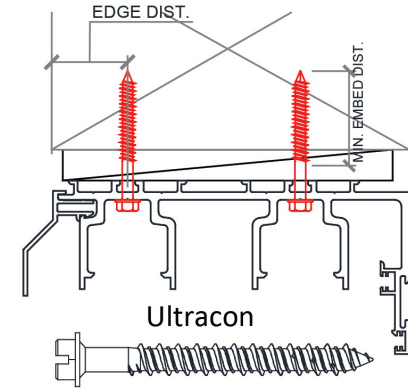
Ultracon
ø5/16 HEX WASHER HEAD (HWH)
4" Minimum Length (For 1/2" max. shim space)

b. Into concrete



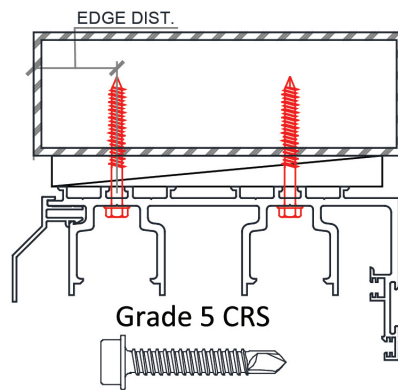
Ultracon
ø5/16 HEX WASHER HEAD (HWH)
3 1/4" Minimum Length (For 1/2" max. shim space)

c. In wood structure "2 BY" with 1 1/4" min. penetration into wood.



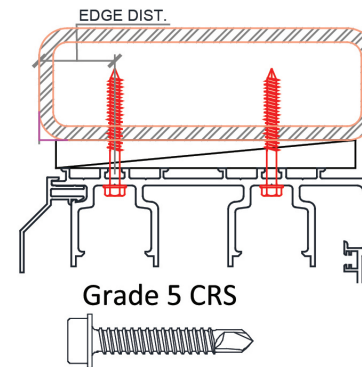
Ultracon
ø5/16 HEX WASHER HEAD (HWH)
3 1/4" Minimum Length (For 1/2" max. shim space)

d. Into Aluminum



Grade 5 CRS
ø5/16 Teks or Self-Drilling
2 1/4" Minimum Length (For 1/2" max. shim space)

e. Into Steel



Grade 5 CRS
ø5/16 Teks or Self-Drilling
2 1/4" Minimum Length (For 1/2" max. shim space)





DOOR CLEANING

- A. Once the installation is complete proceed to clean the window. Mr. Glass recommends using water and mild soap or detergent.
- B. Consult Service Bulletin 01-2021 "Maintenance of coated surfaces" and 02-2021 "Glass Cleaning Recommendations".
- C. Do not use sharp objects that may damage the finish in the aluminum or scratch the glass.
- D. Remove all temporary seals and logos.
- E. Clean the work area and dispose of all the packaging residue.

