

# INSTALLATION MANUAL

## Series MG-1100 Sliding Glass Door





**INDEX**

|                                    |    |                                  |    |
|------------------------------------|----|----------------------------------|----|
| INTRODUCTION                       | 3  | XXXXXX AND OXXXXO KD PACKAGE     | 16 |
| INSPECTION OF THE OPENING          | 4  | XXXXXX REVERSE AND OXXXXO        |    |
| WOOD BUCK INSTALLATION             | 5  | PANEL INSTRUCTIONS               | 17 |
| FRAME ASSEMBLY                     | 6  | XXXP AND PXXX PACKAGE            | 18 |
| UNPACKING THE DOOR                 | 7  | XXXP AND PXXX PANEL INSTRUCTIONS | 19 |
| FRAME INSTALLATION                 | 8  | PXXXXXXP KD PACKAGE              | 20 |
| TRACK AT SILL & SNAP COVER AT HEAD | 9  | PXXXXXXP PANEL INSTRUCTIONS      | 21 |
| PANEL INSTALLATION                 | 10 | FIX PANEL INSTALLATION           | 22 |
| GUTTER INSTALLATION                | 11 | POCKET DOOR INSTALLATION         | 23 |
| HANDLE AND LOCK INSTALLATION       | 11 | COVERS PER CONFIGURATION         | 24 |
| SILL RAISER                        | 11 | HANDLE INSTALLATION INSTRUCTIONS | 27 |
| XXX AND XXO KD PACKAGE             | 12 | TRACK INSTRUCTIONS               | 28 |
| XXX AND XXO PANEL INSTRUCTIONS     | 13 | CONFIGURATION TYPES              | 29 |
| XXX REVERSE AND OXX PACKAGE        | 14 | PANEL TYPES                      | 32 |
| XXX REVERSE AND OXX PANEL          |    | ANCHORS                          | 33 |
| INSTRUCTIONS                       | 15 | DOOR CLEANING                    | 35 |





## INTRODUCTION

These instructions are provided as general guide for installation. The Florida Approval of the product (FL19092 LMI/SMI) should be used together with these instructions.

Only professionals and experienced installers should attempt to install these doors.

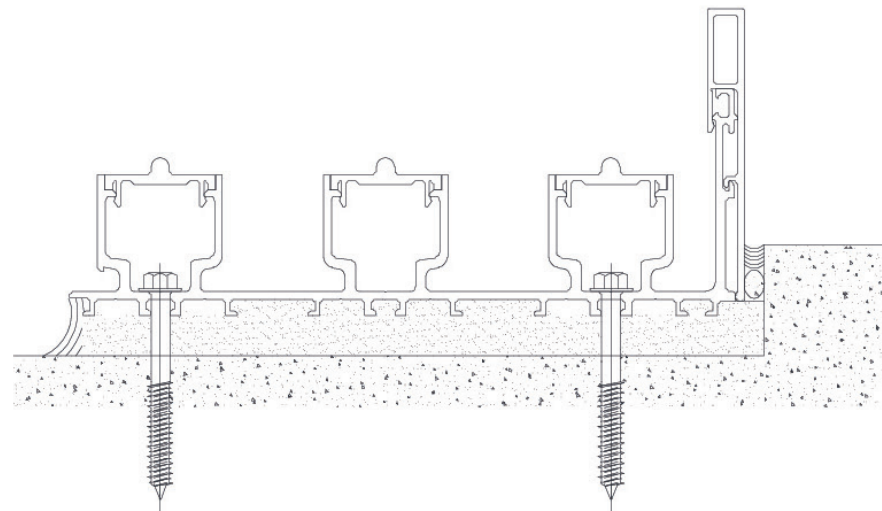
Read carefully all the instructions. If in doubt contact Mr. Glass Doors and Windows, we will be happy to assist.

Select the protection gear and take all necessary safety precautions depending on the type of installation, especially those concerning working at heights.

### TYPE OF INSTALLATION

Use the adequate type of anchor depending on the substrate. Follow the instructions on the Florida Approval, regarding edge distance, spacing and shimming space.

Apply silicone in the holes before inserting the anchors, and on top of them, once tightened make sure the frame is level and plumb

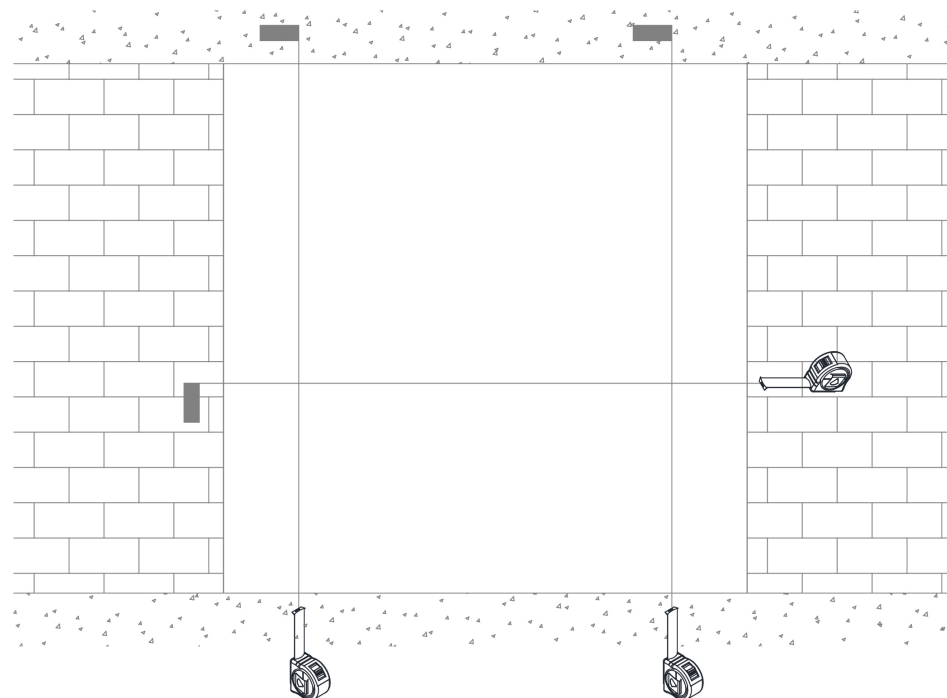




## INSPECTION OF THE OPENING

This is the first step and will be executed regardless of the type of installation:

- A. Verify that the opening has the correct dimensions, that it is square, plumb and true. No more than 1/4" difference in square (diagonals) will be acceptable. The dimensions of height and width should be within 1/8" of the nominal opening dimension.
- B. In case of masonry openings check for cracks or missing mortar, mainly in the sill, that might eventually allow water and humidity migration. Clean any residue of mortar. Any defect should be addressed and corrected by the trade responsible for the opening.
- C. Mr. Glass recommends that the sill have a slope to direct the water out of the building. No openings with inverted slope should be accepted. That will compromise the correct drainage and functioning of the door.
- D. Check the shop drawings and verify that the opening preparation follows the specifications.
- E. In case the installation is with wood buck, verify that a proper seal has been applied all around, between the wood and the masonry. Also verify that the wood bucks touch each other and that they have been sealed to one another.
- F. The wood buck opening dimensions should be verified. It should be plumb, square and true. In case of detecting any defects, do not install until the issue is corrected.

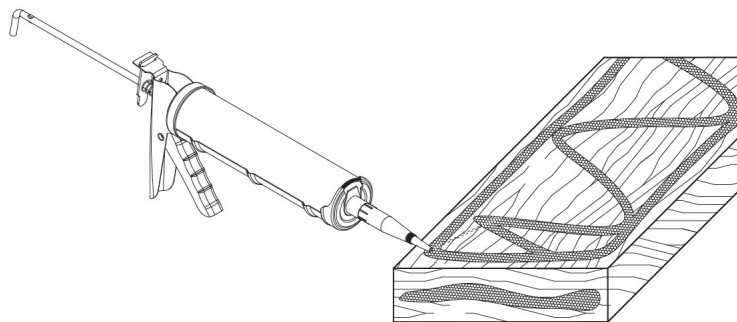




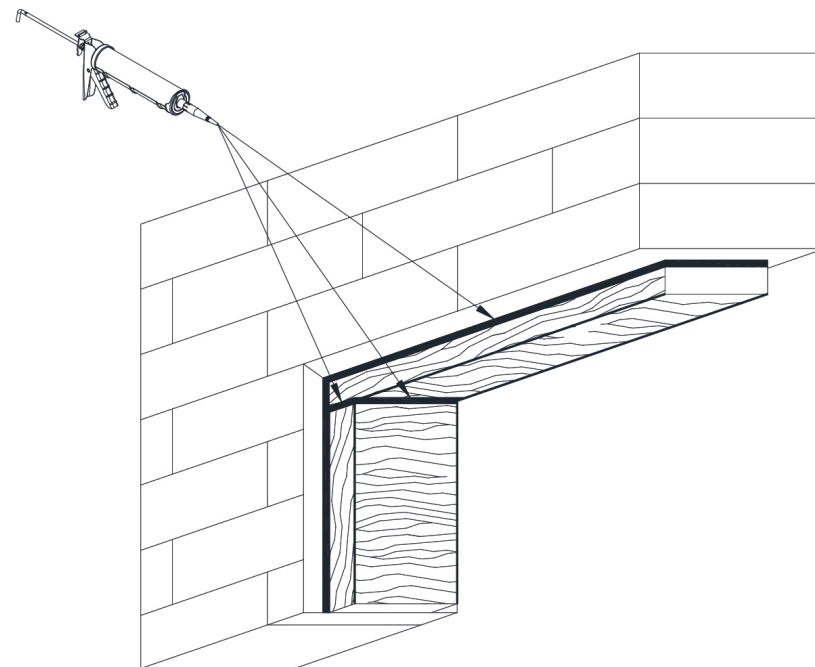


## WOOD BUCK INSTALLATION

- A. Use only pressure treated wood buck of appropriate dimensions.
- B. The wood buck should be attached to the masonry independently of the window. Quantity and anchor disposition will be according to the engineer's or shop drawings' specifications.
- C. Prior to installation of the buck, apply a 3/8" bead of silicone on the face of the wood buck in all the perimeter (see figure) This seal will be smashed to the masonry opening when the wood buck is applied to it.



- D. Once the bucks are attached to the masonry, apply a bead of silicone into the exterior perimeter between the wood and the masonry, and into the joinery between the end of the bucks. Tool the sealant ensuring its continuity.



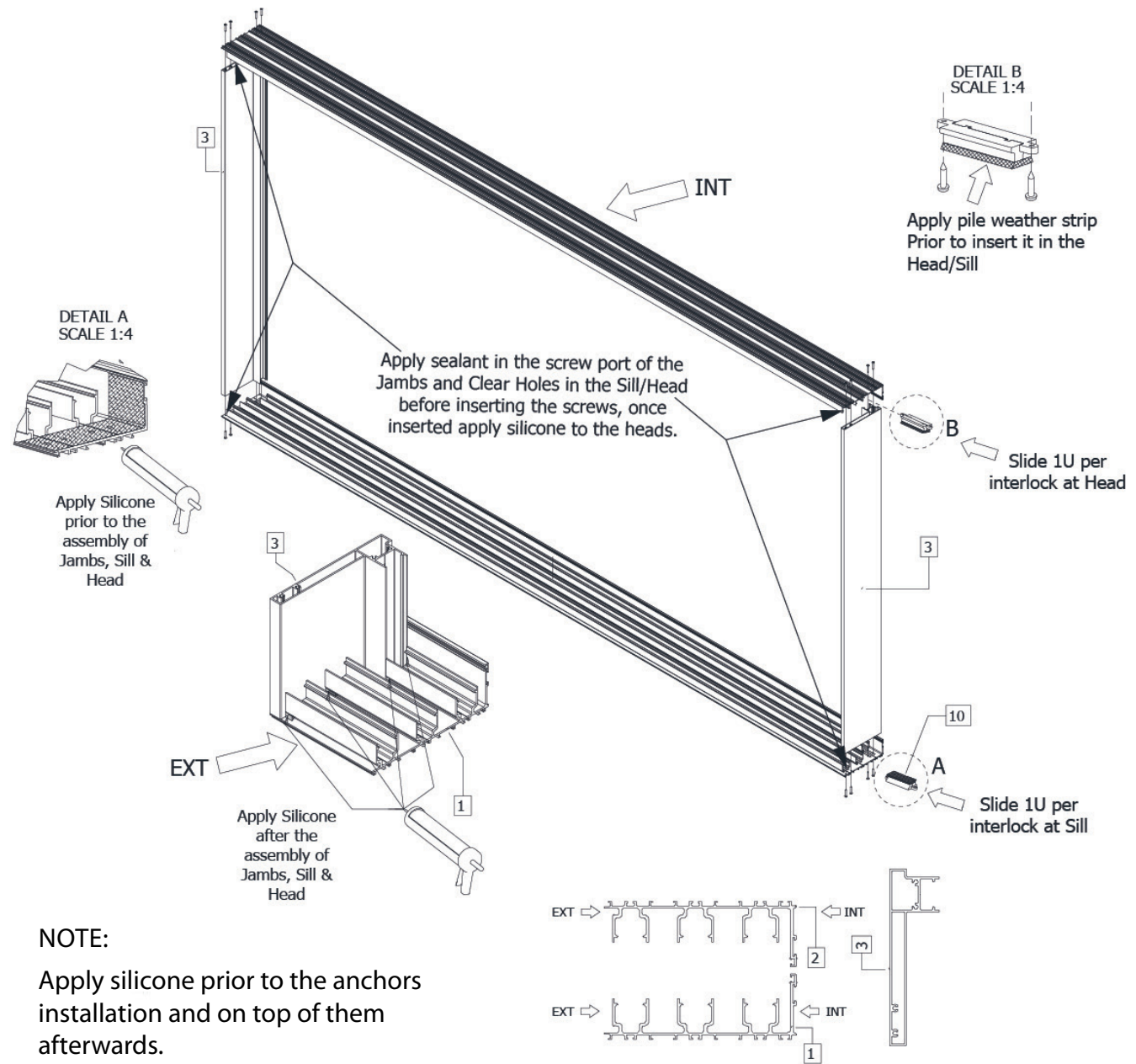
- E. The wood buck opening dimensions should be verified. It should be plumb, square and true. In case of detecting any defects, do not install until the issue is corrected





## FRAME ASSEMBLY

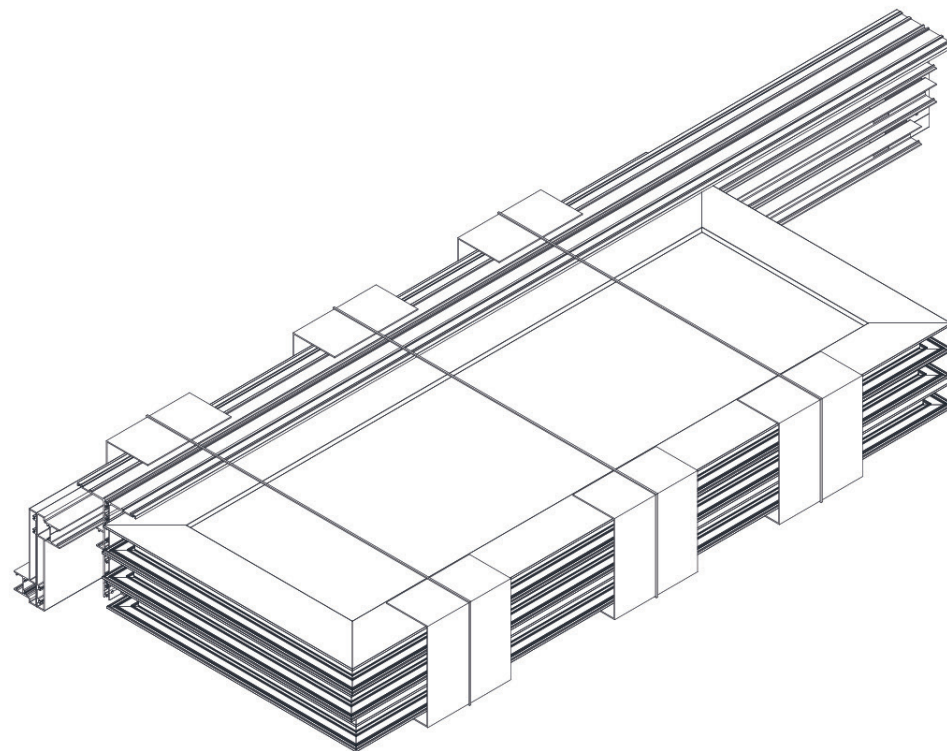
- A. The frame assembly is a critical part of the installation process. Understand that 90% of leaks in a sliding door occur due to an improper frame assembly.
- B. In the MG1100 the jambs go between sill and head. See sketch below. Make sure that the joinery between sill and jambs is perfect. The jams will sit on a silicone bead applied to the sill at the floor and backleg)
- C. Prior to assembly the frame, make sure that the SEAL BRIDGE has been inserted in head and sill. The qty and location depending on the configuration. Consult the pages 29-32. They are located on top and bottom of each interlock.





## UNPACKING THE DOOR

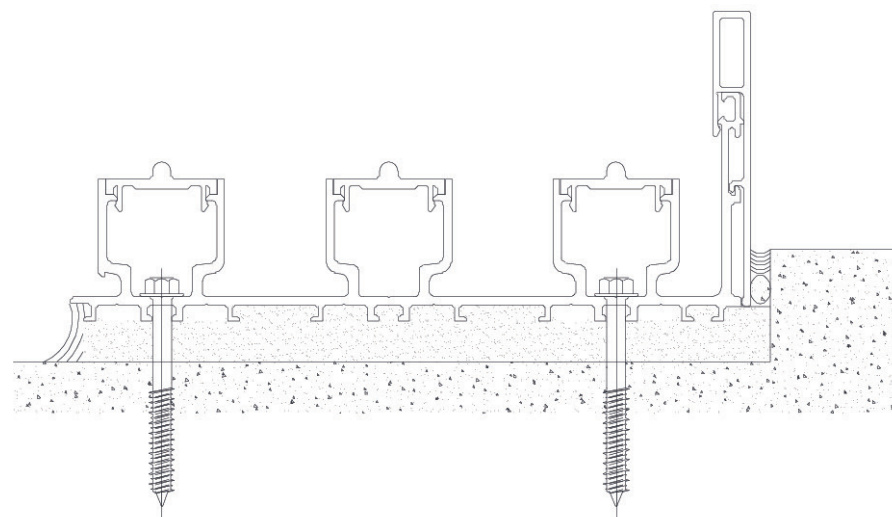
- A. In case of a retrofit: Before removing any existing door, verify that the new door corresponds to the specifications of the project in type and dimensions, and that they match the opening size.
- B. Carefully remove the straps and cardboard. Do not use sharp or puncturing objects that might damage the aluminum finish or the glass. The frame is delivered in KD form. Consult the page that correspond with your configuration and verify that you are receiving everything as described.
- C. Separate and store the covers. Not to be installed until the anchor inspection has been completed successfully.
- D. The panels are labeled for easy of identification. Consult pages 29-32 to check the type of panels required by your configuration.





## FRAME INSTALLATION

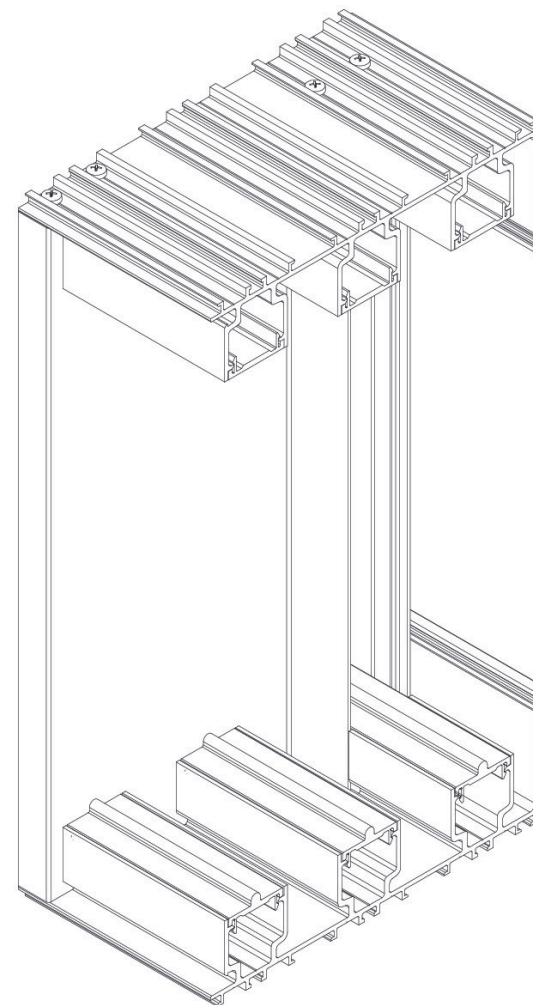
- A. The frame of the MG1100 series is extremely sturdy, which makes it heavy but at the same time easy to manipulate. Insert it in the opening, and start by shimming at the bottom, to define the height of the raiser, according to detail of the project.
- B. If the shimming space at the bottom is small (around 4") and the door is not very heavy (panels 48" x 96" with 9/16" glass and less) the use of incompressible hard shims should be enough. They should be located at each anchor and between the anchor clusters (at sill only), at no more than 12" apart. For greater shimming space and heavier door panels, pour non-shrink, high strength grouting ( $f_c \geq 5000$  psi) under the sill.
- C. Apply the anchors in the pre-drilled holes in the sill and head. Note that Mr. Glass provides the sliding door with clusters of 6 anchors at top and bottom of interlocks. At certain frame highs and design pressures, 8 anchors cluster at top may be required. Consult the Florida Approval and add anchors if needed. MG 1100, uses 5/16" Ultracon. The length required depends on the substrate, see next section. This sliding door does not require anchors at jambs. Mr. Glass recommends installing an anchor directly behind the strike of the lock.
- D. Make sure to maintain the level, plumb and square. It is critical that the distance between the sill and the head measured at different points along the extrusions is the same. It is very common to see a "belly" at sill or head due to improper shimming. The distance between sill and head at the jamb, should be kept all along the sliding. This ensures that an equal, proper, engagement is attained for the panels, both at top and bottom.





## TRACK AT SILL & SNAP COVER AT HEAD

- A. The panels run on anodized tracks at sill. This track serves as cover for the anchors at the same time. Anchor Inspection should be already passed before installing the tracks at sill and the covers at header.
- B. Snap in place the tracks and horizontal head covers. See each configuration for location.
- C. Apply sealant at the ends of tracks on the sill, to avoid water to go freely under.

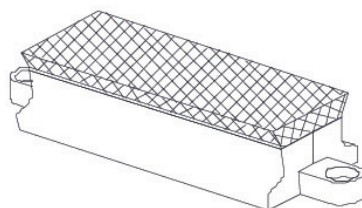






## PANEL INSTALLATION

- A. Depending on the configuration of your door, you will need a specific combination of panel types. Consult pages 29-32.
- B. You will receive the panels labeled for identification. All our panels, fixed or mobiles, are provided with rollers for easy of adjustment and installation. The bottom rail of the panel has access holes in the outside to reach the rollers.
- C. To insert the panels, approach the frame from outside, with the glass stops facing out. Tilt the panel back from the top and lift it inclined to engage the track above. Push the panel in from the bottom to reach the corresponding track below. Gently move it down to sit the roller on the track. Note that the configurations OXXXXO and XXXXXX have one movable panel with an astragal. These panels are furnished with the astragal attached with only two self-drilling screws. The astragal must be removed to install the panel, and then re-attached with the screws provided for it.
- D. The final location of the seal bridge, that was inserted into the sill and head during assembly of the frame is right below and above each interlock. They prevent the panels to be lifted and removed from the outside with the door locked. To insert the panels in the frame, these parts cannot be in its final location otherwise it is impossible to raise the panel to install it.
- E. Once the panels are in final position, move the Seal Bridge right under and above the interlocks. Fix it using the #10 screws provided in the KD kit. Inject silicone in the hole prior to insert the screw and on top of the screw head after tightening.



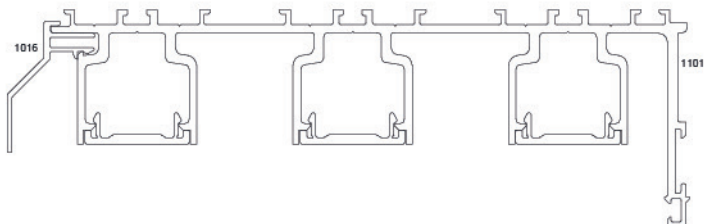
- F. Where fix panels are part of the configuration, they are provided with a bumper in the vertical stile facing the jambs. To set in position a fixed panel, moved it to the jamb until the bumper hits
- G. Use the rollers to adjust the height of the panels as well as level and alignment between them.
- H. Install the plastic guides (provided in the KD) on the back of the panels (2 per panel) The panels have pilot holes 1/8" to locate the guides. Use a 5/32" drill to pilot the #10 screw provided to fix the guides.
- I. The guides in the front of the panels are already slid inside the front vertical. Adjust the height of the guides (at head and sill) and fix it with the #10 screws provided in the KD.





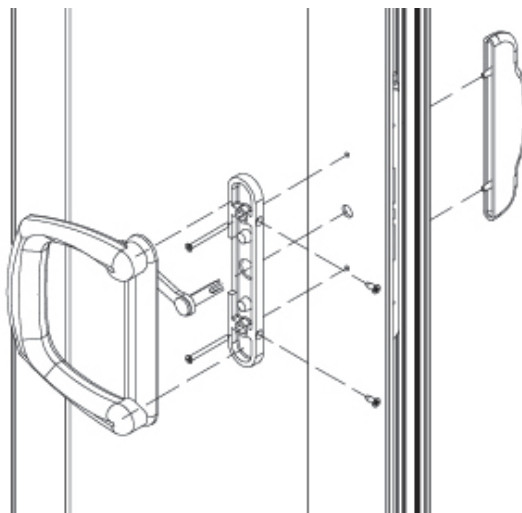
## GUTTER INSTALLATION

- A. Gutter: the gutter (extrusion 1016) is provided precut and notched with the KD. Before sealing the perimeter, snap it to the header.



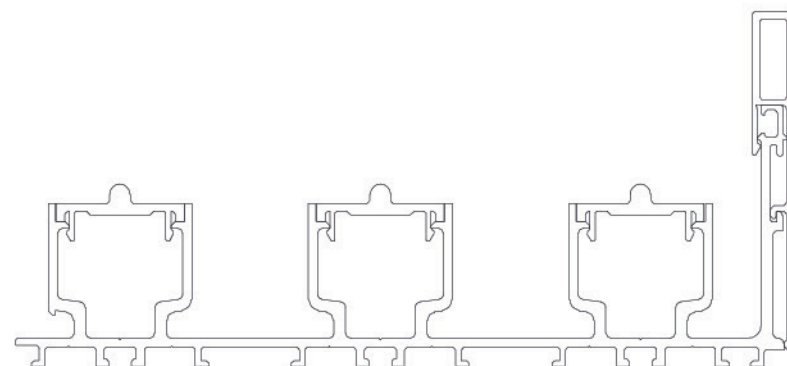
## HANDLE AND LOCK INSTALLATION

- A. To install the handle, follow the instructions of the hardware manufacturer.
- B. The lock is already installed in the panel. The strike should be installed in the jamb. Strike and Lock need to be perfectly aligned in height. After a first approximation to fix the strike, you can adjust it up and down via fixing slots. Once in final position, insert the fixing screw.
- C. The strike also allows also for certain adjustment in the direction of the panel, to accommodate the distance to the jamb.



## SILL RAISER

- A. MG1100 requires 1" sill raiser in all configurations for positive pressure > 76 PSF only.
- B. Before inserting the sill raiser, fill its cavity with silicone, and snap it in place. Seal the ends to the jambs.



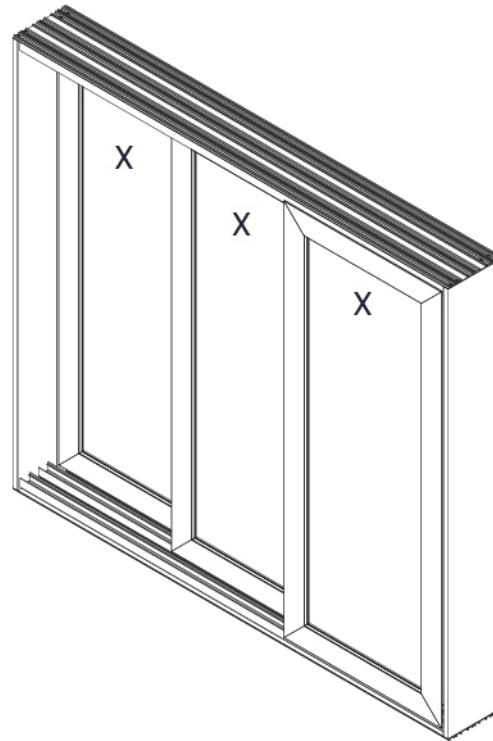
SILL RAISER IS REQUIRED ONLY  
WHEN DP > 76.7 PSF (POSITIVE)  
UP TO 80PSF (POSITIVE)





**XXX AND XXO KD PACKAGE**

| PART No. | DESCRIPTION:                                      |
|----------|---------------------------------------------------|
| 1        | SILL (1 U)                                        |
| 2        | HEAD (1 U)                                        |
| 3        | JAMBS (2 U)                                       |
| 4        | HEX HEAD #12 x 1 1/2" SMS. AISI 410 (16 U)        |
| 5        | TRACK LONG (3 U)                                  |
| 6        | FLAT COVER (3 U)                                  |
| 7        | AIR SEAL BRIDGE (4 U)                             |
| 8        | PANELS (3 U)                                      |
| 9        | BUMPER (4 U)                                      |
| 10       | PH-FH #10-16 x 3/4" SMS. AISI 316 (24 U)          |
| 11       | ROLLER ADJUST HOLE PLUG (6 U)                     |
| 12       | BOTTOM PANEL GUIDE (4 U)                          |
| 13       | TOP PANEL GUIDE (4 U)                             |
| 14       | STRIKER (2 U)                                     |
| 15       | LOCK HANDLE SET (2 U)                             |
| 16       | PH-PH #10-16 x 1/2" SMS. AISI 316 (8 U)           |
| 17       | PH-PH #10-16 x 1" SELF DRILLING. AISI 410 (8 U)   |
| 18       | DRAINAGE COVER SHORT (1 U)                        |
| 19       | DRAINAGE COVER LONG (1 U)                         |
| 20       | FIX ATTACHMENT (2 U)                              |
| 21       | PH-PH #10-16 x 1/2" SELF DRILLING. AISI 316 (2 U) |



|                                                 |                                                  |                                |                                                             |                                                         |
|-------------------------------------------------|--------------------------------------------------|--------------------------------|-------------------------------------------------------------|---------------------------------------------------------|
| 1 SILL<br>                                      | 6 FLAT COVER<br>                                 | 11 ROLLER ADJUST HOLE PLUG<br> | 16 SCREWS 10-16 SELF-DRILLING<br><br>FOR AIR SEAL BRIDGE    | 21 SCREWS 10-16 SELF-DRILLING<br><br>FOR FIX ATTACHMENT |
| 2 HEAD<br>                                      | 7 AIR SEAL BRIDGE<br>                            | 12 BOTTOM PANEL GUIDE<br>      | 17 SCREWS 10-16 SELF-DRILLING<br><br>FOR BUMPERS AND STRIKE | 17                                                      |
| 3 JAMBS<br>                                     | 8 PANELS<br>                                     | 13 TOP PANEL GUIDE<br>         | 18 DRAINAGE COVER<br>                                       | 18                                                      |
| 4 SCREWS #12 x 1 1/2"<br><br>FOR FRAME ASSEMBLY | 9 BUMPER<br>                                     | 14 STRIKER<br>                 | 19 DRAINAGE COVER<br>                                       | 19                                                      |
| 5 TRACK<br>                                     | 10 SCREWS #10-16x 3/4" LG FLAT<br><br>FOR GUIDES | 15 LOCK HANDLE SET<br>         | 20 FIX ATTACHMENT<br>                                       | 20                                                      |

For XXX and XXO configuration, see pages 29-32 for panel type selection.

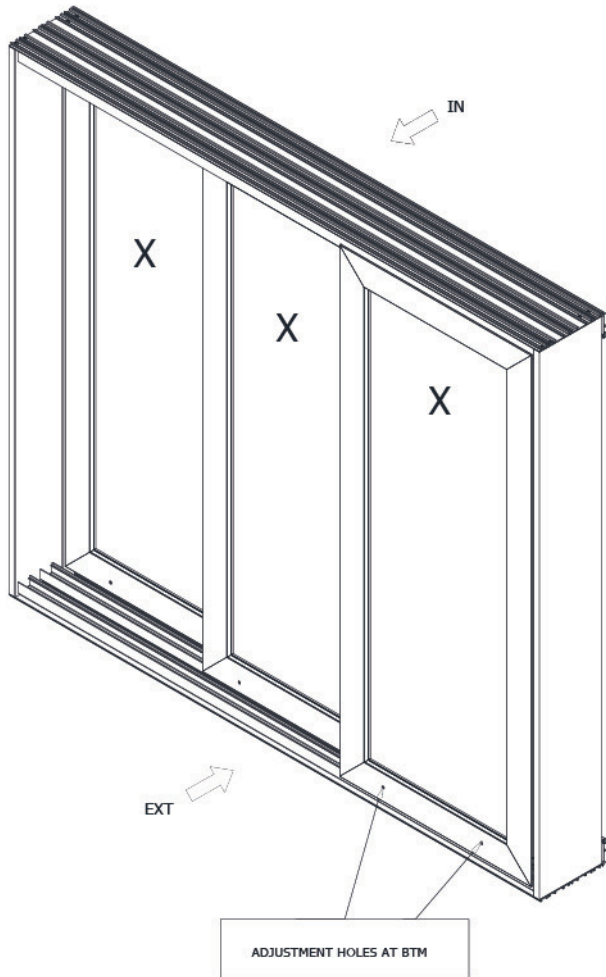
Items #20 and #21 only for XXO configuration, see page 22.





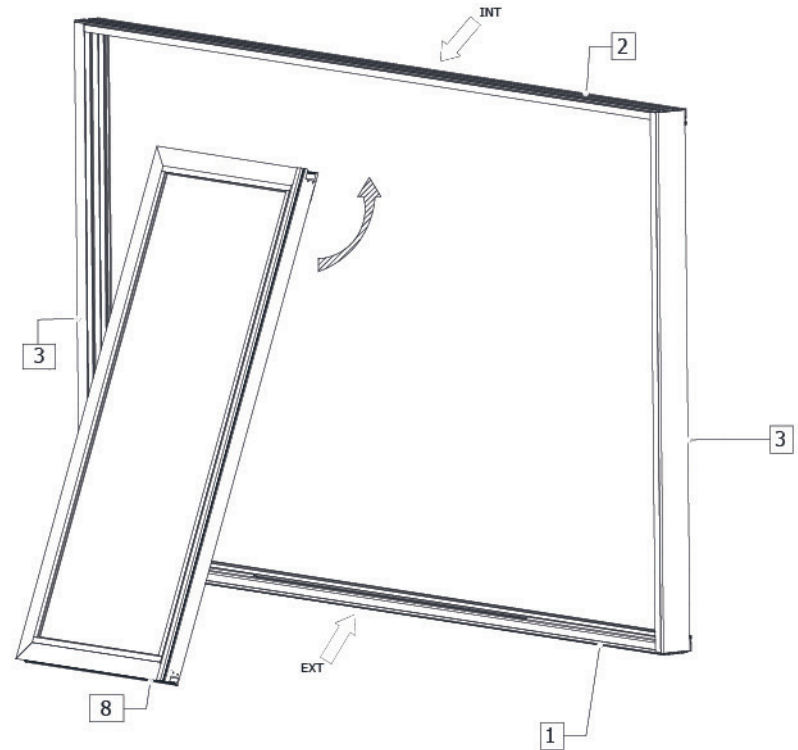


**XXX AND XXO PANEL INSTRUCTIONS**



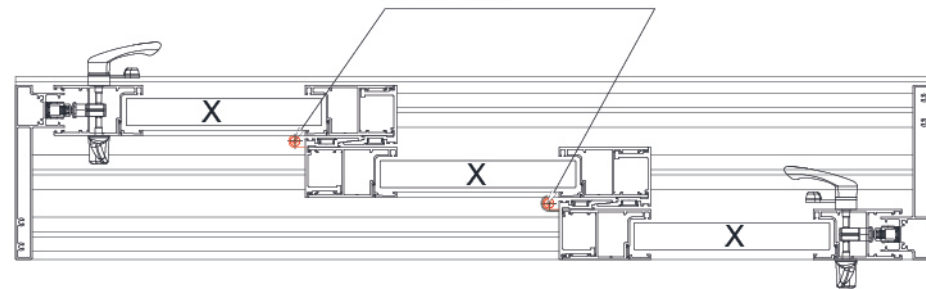
**NOTES:**  
All panels are installed the same way.

For the position of the panels of the configuration XXO,  
see pages 29-32.



**PANEL POSITIONS**

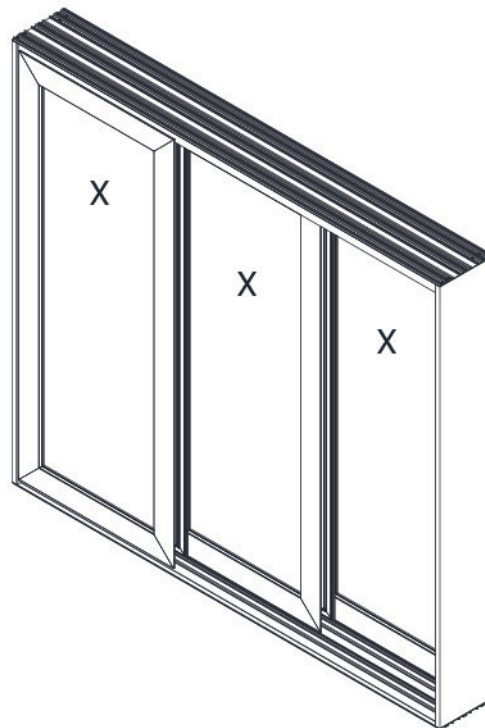
Air seal bridge position at Sill & Head. Cannot be in final position during panel installation.





**XXX REVERSE AND OXX KD PACKAGE**

| PART No. | DESCRIPTION:                                      |
|----------|---------------------------------------------------|
| 1        | SILL (1 U)                                        |
| 2        | HEAD (1 U)                                        |
| 3        | JAMBS (2 U)                                       |
| 4        | HEX HEAD #12 x 1 1/2" SMS. AISI 410 (16 U)        |
| 5        | TRACK LONG (3 U)                                  |
| 6        | FLAT COVER (3 U)                                  |
| 7        | AIR SEAL BRIDGE (4 U)                             |
| 8        | PANELS (3 U)                                      |
| 9        | BUMPER (4 U)                                      |
| 10       | PH-FH #10-16 x 3/4" SMS. AISI 316 (24 U)          |
| 11       | ROLLER ADJUST HOLE PLUG (6 U)                     |
| 12       | BOTTOM PANEL GUIDE (4 U)                          |
| 13       | TOP PANEL GUIDE (4 U)                             |
| 14       | STRIKER (2 U)                                     |
| 15       | LOCK HANDLE SET (2 U)                             |
| 16       | PH-PH #10-16 x 1/2" SMS. AISI 316 (8 U)           |
| 17       | PH-PH #10-16 x 1" SELF DRILLING. AISI 410 (8 U)   |
| 18       | DRAINAGE COVER SHORT (1 U)                        |
| 19       | DRAINAGE COVER LONG (1 U)                         |
| 20       | FIX ATTACHMENT (2 U)                              |
| 21       | PH-PH #10-16 x 1/2" SELF DRILLING. AISI 316 (2 U) |



For XXX reverse and OXX configuration, see pages 29-32 for panel type selection.

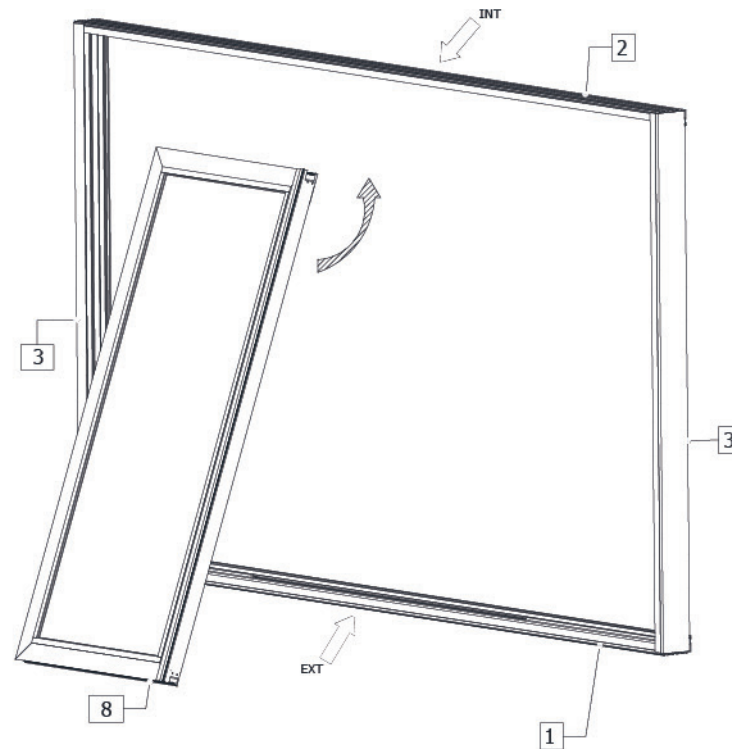
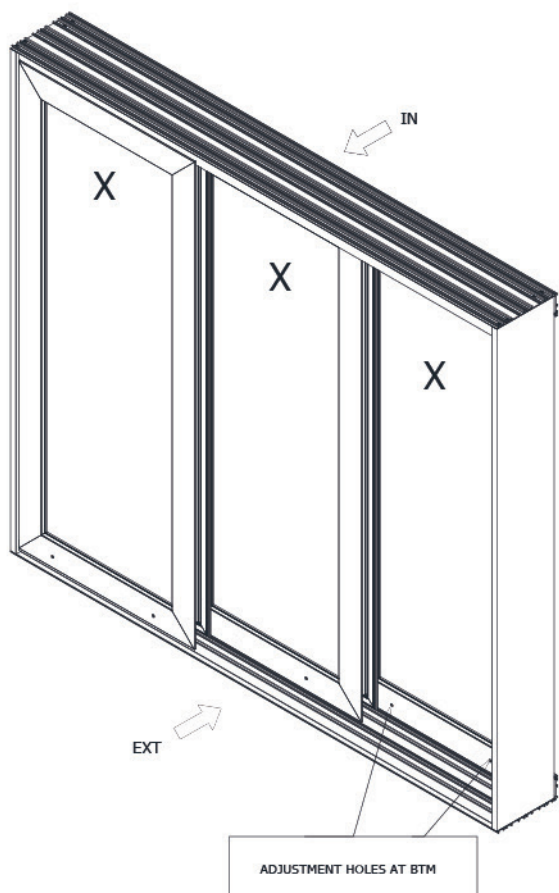
Items #20 and #21 only for OXX configuration, see page 22.

|                                                    |                                                     |                                   |                                                                |                                                            |
|----------------------------------------------------|-----------------------------------------------------|-----------------------------------|----------------------------------------------------------------|------------------------------------------------------------|
| 1<br>SILL<br>                                      | 6<br>FLAT COVER<br>                                 | 11<br>ROLLER ADJUST HOLE PLUG<br> | 16<br>SCREWS 10-16 SELF-DRILLING<br><br>FOR AIR SEAL BRIDGE    | 21<br>SCREWS 10-16 SELF-DRILLING<br><br>FOR FIX ATTACHMENT |
| 2<br>HEAD<br>                                      | 7<br>AIR SEAL BRIDGE<br>                            | 12<br>BOTTOM PANEL GUIDE<br>      | 17<br>SCREWS 10-16 SELF-DRILLING<br><br>FOR BUMPERS AND STRIKE | 17                                                         |
| 3<br>JAMBS<br>                                     | 8<br>PANELS<br>                                     | 13<br>TOP PANEL GUIDE<br>         | 18<br>DRAINAGE COVER<br>                                       | 18                                                         |
| 4<br>SCREWS #12 x 1 1/2"<br><br>FOR FRAME ASSEMBLY | 9<br>BUMPER<br>                                     | 14<br>STRIKER<br>                 | 19<br>DRAINAGE COVER<br>                                       | 19                                                         |
| 5<br>TRACK<br>                                     | 10<br>SCREWS #10-16x 3/4" LG FLAT<br><br>FOR GUIDES | 15<br>LOCK HANDLE SET<br>         | 20<br>FIX ATTACHMENT<br>                                       | 20                                                         |



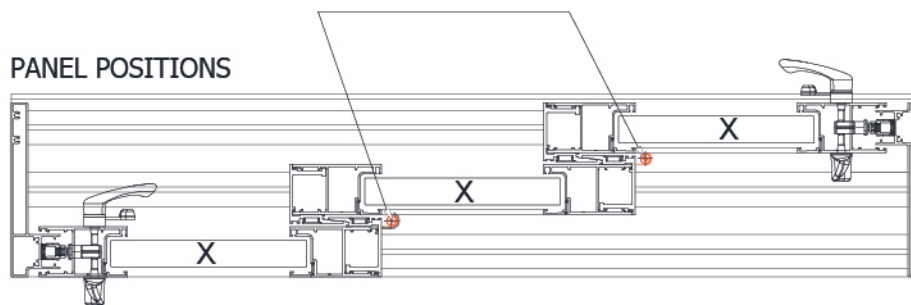


**XXX REVERSE AND OXX PANEL INSTRUCTIONS**



Air seal bridge position at Sill & Head. Cannot be in final position during panel installation.

**PANEL POSITIONS**



NOTES:  
All panels are installed the same way.

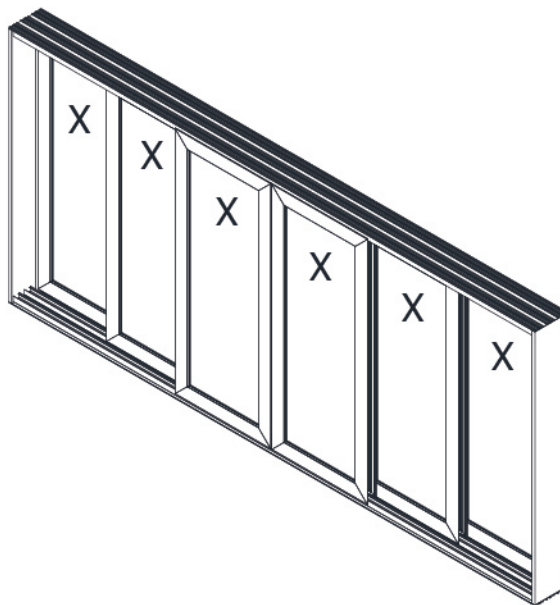
For the position of the panels of the configuration OXX, see pages 29-32.





**XXXXXX AND OXXXXO KD PACKAGE**

| PART No. | DESCRIPTION:                                     |
|----------|--------------------------------------------------|
| 1        | SILL (1 U)                                       |
| 2        | HEAD (1 U)                                       |
| 3        | JAMBS (2 U)                                      |
| 4        | HEX HEAD #12 x 1 1/2" SMS. AISI 410 (16 U)       |
| 5        | TRACK LONG (3 U)                                 |
| 6        | FLAT COVER (3 U)                                 |
| 7        | AIR SEAL BRIDGE (8 U)                            |
| 8        | PANELS (6 U)                                     |
| 9        | BUMPER (8 U)                                     |
| 10       | PH-FH #10-16 x 3/4" SMS. AISI 316 (48 U)         |
| 11       | ROLLER ADJUST HOLE PLUG (12 U)                   |
| 12       | BOTTOM PANEL GUIDE (8 U)                         |
| 13       | TOP PANEL GUIDE (8 U)                            |
| 14       | STRIKER (2 U)                                    |
| 15       | LOCK HANDLE SET (2 U)                            |
| 16       | PH-PH #10-16 x 1/2" SMS. AISI 316 (8 U)          |
| 17       | PH-PH #10-16 x 1" SELF DRILLING. AISI 410 (16 U) |
| 18       | DRAINAGE COVER SHORT (1 U)                       |
| 19       | DRAINAGE COVER LONG (1 U)                        |
| 20       | FIX ATTACHMENT (1 U)                             |
| 21       | FIX ATTACHMENT (1 U)                             |



For XXXXXX reverse and OXXXXO configuration, see pages 29-32 for panel type selection.

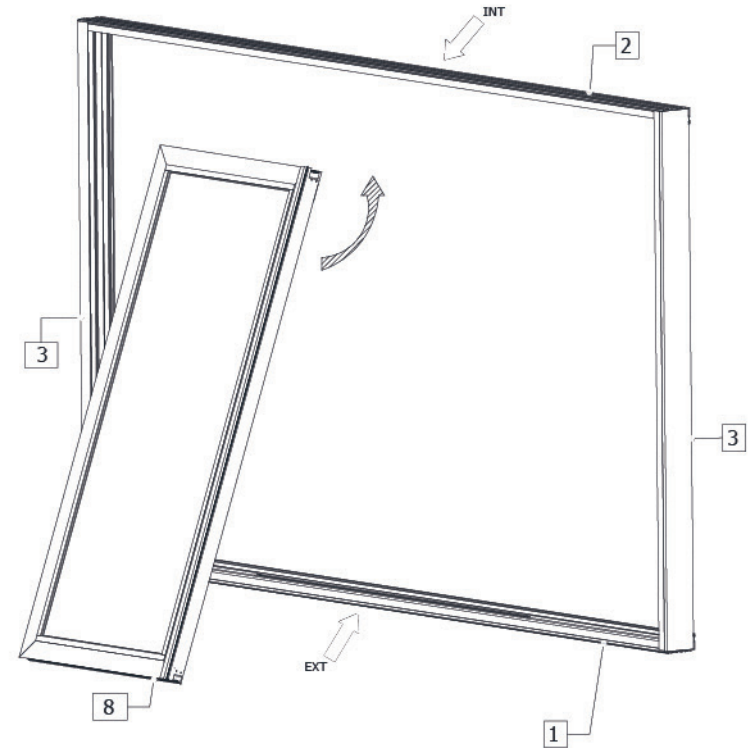
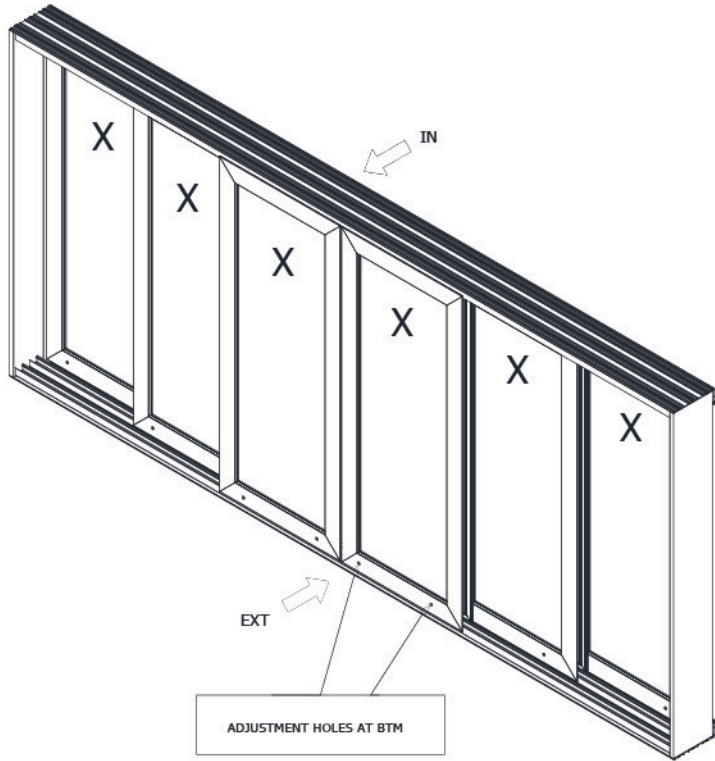
Items #20 and #21 only for OXXXXO configuration, see page 22.

|                                                 |                                                  |                                |                                                             |                                                         |
|-------------------------------------------------|--------------------------------------------------|--------------------------------|-------------------------------------------------------------|---------------------------------------------------------|
| 1 SILL<br>                                      | 6 FLAT COVER<br>                                 | 11 ROLLER ADJUST HOLE PLUG<br> | 16 SCREWS 10-16 SELF-DRILLING<br><br>FOR AIR SEAL BRIDGE    | 21 SCREWS 10-16 SELF-DRILLING<br><br>FOR FIX ATTACHMENT |
| 2 HEAD<br>                                      | 7 AIR SEAL BRIDGE<br>                            | 12 BOTTOM PANEL GUIDE<br>      | 17 SCREWS 10-16 SELF-DRILLING<br><br>FOR BUMPERS AND STRIKE | 17                                                      |
| 3 JAMBS<br>                                     | 8 PANELS<br>                                     | 13 TOP PANEL GUIDE<br>         | 18 DRAINAGE COVER<br>                                       | 18                                                      |
| 4 SCREWS #12 x 1 1/2"<br><br>FOR FRAME ASSEMBLY | 9 BUMPER<br>                                     | 14 STRIKER<br>                 | 19 DRAINAGE COVER<br>                                       | 19                                                      |
| 5 TRACK<br>                                     | 10 SCREWS #10-16x 3/4" LG FLAT<br><br>FOR GUIDES | 15 LOCK HANDLE SET<br>         | 20 FIX ATTACHMENT<br>                                       | 20                                                      |





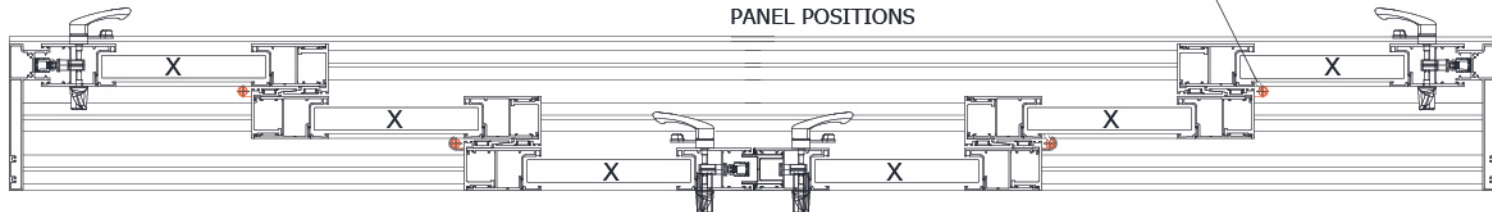
**XXXXX REVERSE AND OXXXXO PANEL INSTRUCTIONS**



**NOTES:**  
All panels are installed the same way.

For the position of the panels of the configuration OXXXXO, see pages 29-32.

Air seal bridge position at Sill & Head. Cannot be in final position during panel installation.

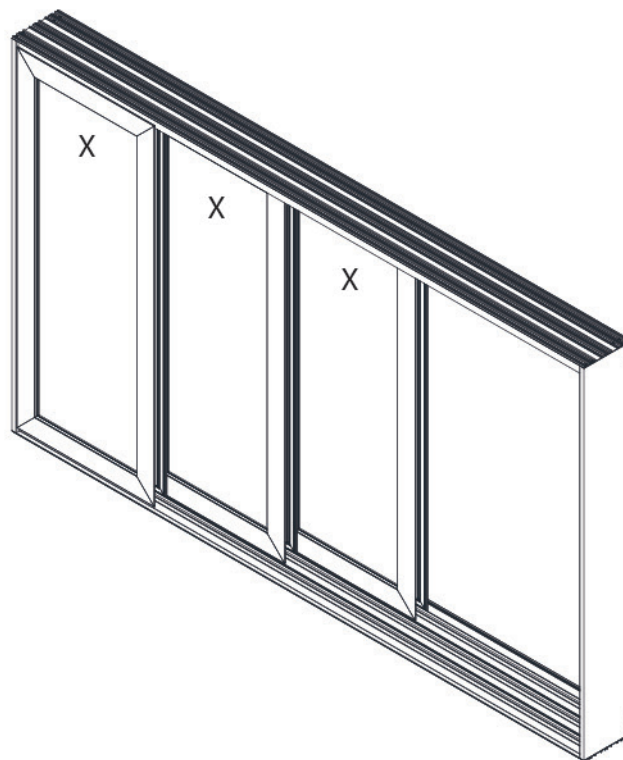






**XXXP AND PXXX KD PACKAGE**

| PART No. | DESCRIPTION:                                    |
|----------|-------------------------------------------------|
| 1        | SILL (1 U)                                      |
| 2        | HEAD (1 U)                                      |
| 3        | JAMBS (2 U)                                     |
| 4        | HEX HEAD #12 x 1 1/2" SMS. AISI 410 (16 U)      |
| 5        | HOOK STRIP (1 U)                                |
| 6        | HOOK STRIP COVER (1 U)                          |
| 7        | TRACK (3 U)                                     |
| 8        | FLAT COVER LONG (3 U)                           |
| 9        | AIR SEAL BRIDGE G10-11 (2 U)                    |
| 10       | AIR SEAL BRIDGE G10-12 (1 U)                    |
| 11       | PANEL (3 U)                                     |
| 12       | BUMPER (4 U)                                    |
| 13       | PH-FH #10-16 x 3/4" SMS. AISI 316 (24 U)        |
| 14       | ROLLER ADJUST HOLE PLUG (6 U)                   |
| 15       | BOTTOM PANEL GUIDE (5 U)                        |
| 16       | TOP PANEL GUIDE (5 U)                           |
| 17       | STRIKER (1 U)                                   |
| 18       | LOCK HANDLE SET (1 U)                           |
| 19       | PH-PH #10-16 x 1/2" SMS. AISI 316 (8 U)         |
| 20       | PH-PH #10-16 x 1" SELF DRILLING AISI 410 (12 U) |
| 21       | DRAINAGE COVER SHORT (1 U)                      |
| 22       | DRAINAGE COVER LONG (1 U)                       |
| 23       | PILE WEATHER STRIP (2 U)                        |
| 24       |                                                 |
| 25       |                                                 |



For XXXP/PXXX configuration, see pages 29-32 for panel type selection.

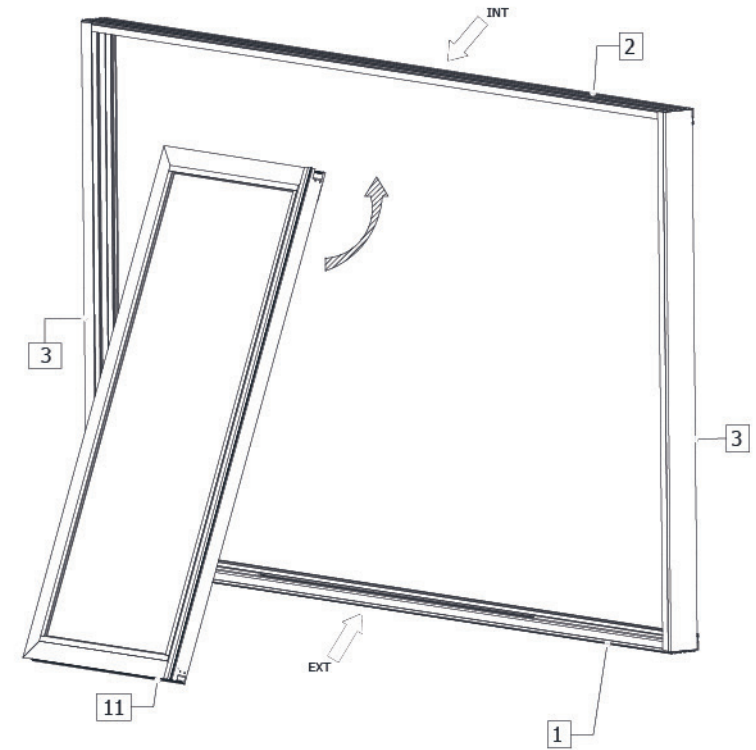
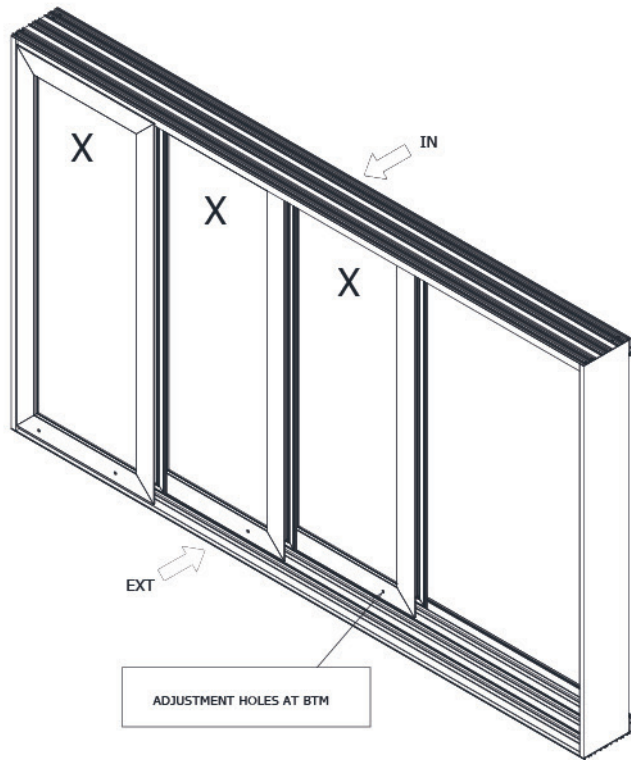
If S/O did not include jambs, item 3 are replaced by 4 pieces 2-1/2" long of jamb extrusion with sheet metal cap.

|                                          |                                |                                                      |                    |
|------------------------------------------|--------------------------------|------------------------------------------------------|--------------------|
| 1 SILL                                   | 8 FLAT COVER LONG              | 15 BOTTOM PANEL GUIDE                                | 22 DRAINAGE COVER  |
| 2 HEAD                                   | 9 AIR SEAL BRIDGE              | 16 TOP PANEL GUIDE                                   | 23 PILE WEATHER S. |
| 3 JAMBS                                  | 10 AIR SEAL BRIDGE             | 17 STRIKER                                           |                    |
| 4 SCREWS #12 x 1 1/2" FOR FRAME ASSEMBLY | 11 PANELS                      | 18 LOCK HANDLE SET                                   |                    |
| 5 HOOK STRIP                             | 12 BUMPER                      | 19 SCREWS 10-16 SELF-DRILLING FOR AIR SEAL BRIDGE    |                    |
| 6 HOOK STRIP COVER                       | 13 SCREWS #10-16x 3/4" LG FLAT | 20 SCREWS 10-16 SELF-DRILLING FOR BUMPERS AND STRIKE |                    |
| 7 TRACK LONG                             | 14 ROLLER ADJUST HOLE PLUG     | 21 DRAINAGE COVER                                    |                    |



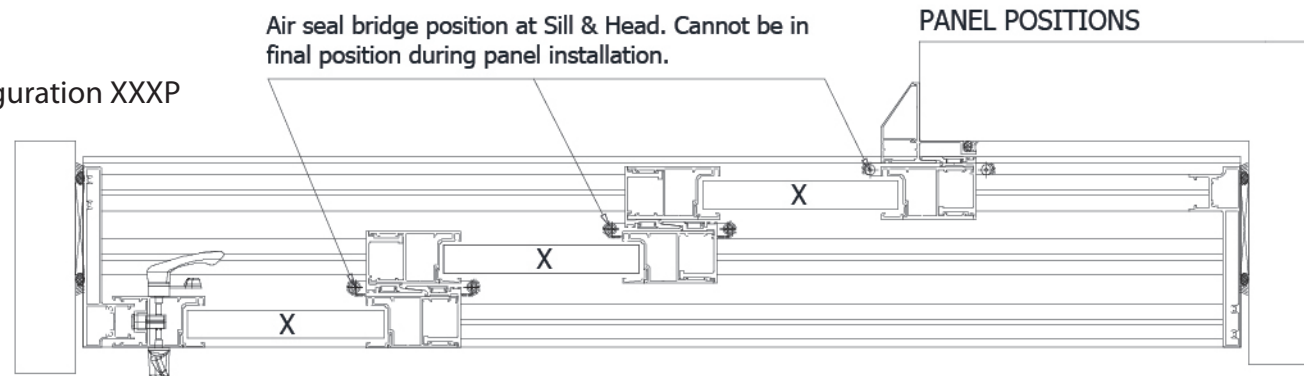


**XXXP AND PXXX PANEL INSTRUCTIONS**



NOTES:  
All panels are installed the same way.

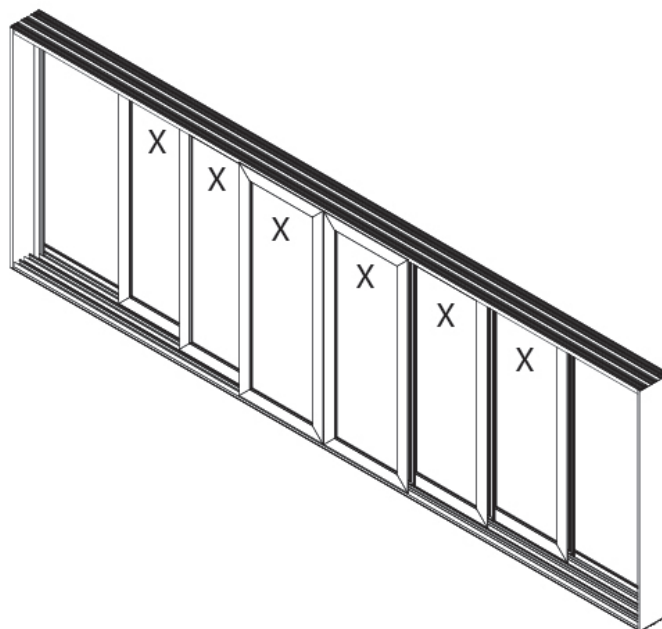
For the position of the panels of the configuration XXXP AND PXXX, see pages 29-32.





**PXXXXXP KD PACKAGE**

| PART No. | DESCRIPTION:                                   |
|----------|------------------------------------------------|
| 1        | SILL (1 U)                                     |
| 2        | HEAD (1 U)                                     |
| 3        | JAMBS (2 U)                                    |
| 4        | HEX HEAD #12 x 1 1/2" SMS. AISI 410 (16 U)     |
| 5        | HOOK STRIP (2 U)                               |
| 6        | HOOK STRIP COVER (2 U)                         |
| 7        | TRACK (3 U)                                    |
| 8        | FLAT COVER LONG (3 U)                          |
| 9        | AIR SEAL BRIDGE G10-11 (4 U)                   |
| 10       | AIR SEAL BRIDGE G10-12 (2 U)                   |
| 11       | PANEL (6 U)                                    |
| 12       | BUMPER (8 U)                                   |
| 13       | PH-FH #10-16 x 3/4" SMS. AISI 316 (48 U)       |
| 14       | ROLLER ADJUST HOLE PLUG (12 U)                 |
| 15       | BOTTOM PANEL GUIDE (10 U)                      |
| 16       | TOP PANEL GUIDE (10 U)                         |
| 17       | STRIKER (1 U)                                  |
| 18       | LOCK HANDLE SET (2 U)                          |
| 19       | PH-PH #10-16 x 1/2" SMS. AISI 316 (24 U)       |
| 20       | PH-PH #10-16 x 1" SELF DRILLING AISI 410 (28U) |
| 21       | DRAINAGE COVER SHORT (1 U)                     |
| 22       | DRAINAGE COVER LONG (1 U)                      |
| 23       | PILE WEATHER STRIP (4 U)                       |
| 24       |                                                |
| 25       |                                                |



For PXXXXXP configuration,  
see pages 29-32 for panel type selection.

If S/O did not include jambs, item 3 are  
replaced by 4 pieces 2-1/2" long of jamb  
extrusion with sheet metal cap.

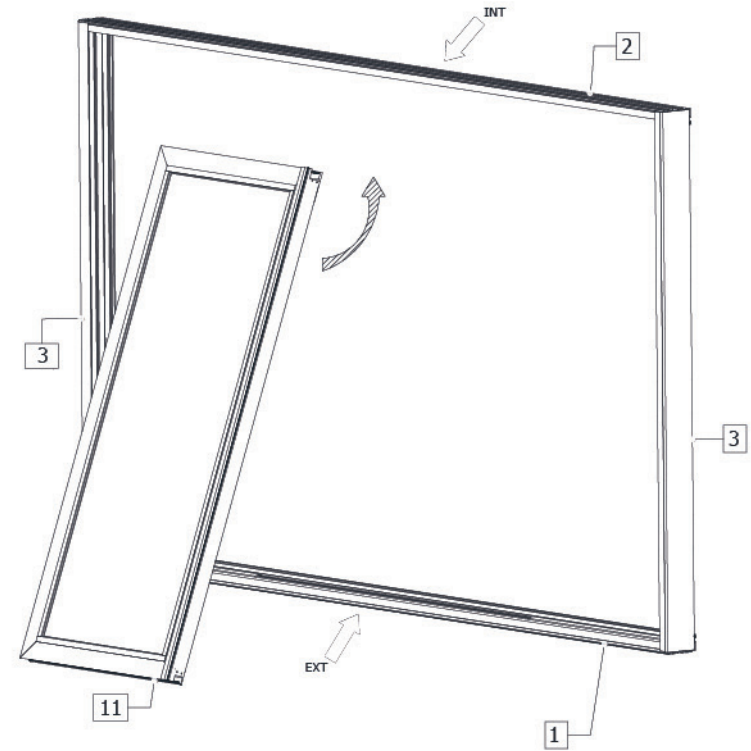
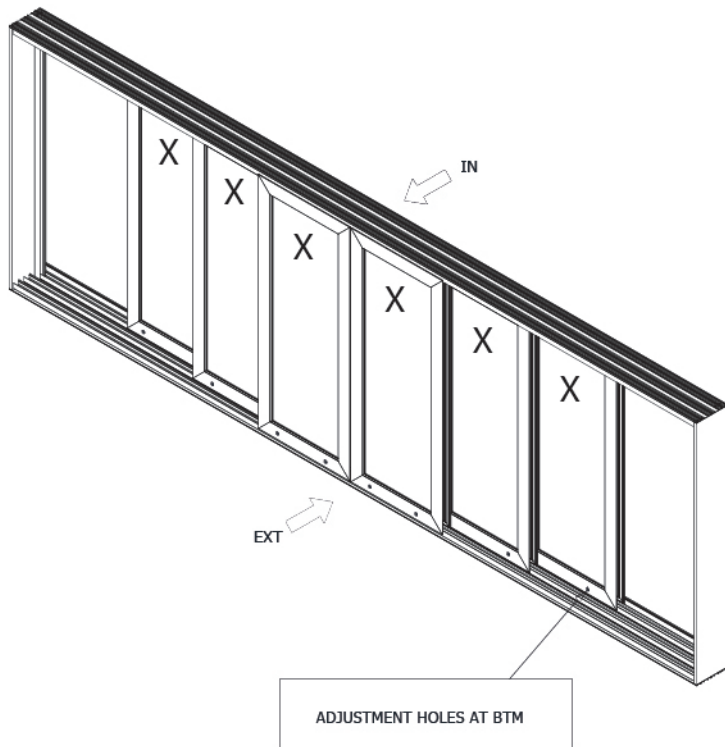
|                                             |                                                 |                                                               |                    |
|---------------------------------------------|-------------------------------------------------|---------------------------------------------------------------|--------------------|
| 1 SILL                                      | 8 FLAT COVER LONG                               | 15 BOTTOM PANEL GUIDE                                         | 22 DRAINAGE COVER  |
| 2 HEAD                                      | 9 AIR SEAL BRIDGE                               | 16 TOP PANEL GUIDE                                            | 23 PILE WEATHER S. |
| 3 JAMBS                                     | 10 AIR SEAL BRIDGE                              | 17 STRIKER                                                    |                    |
| 4 SCREWS #12 x 1 1/2"<br>FOR FRAME ASSEMBLY | 11 PANELS                                       | 18 LOCK HANDLE SET                                            |                    |
| 5 HOOK STRIP                                | 12 BUMPER                                       | 19 SCREWS 10-16<br>SELF-DRILLING<br>FOR AIR SEAL BRIDGE       |                    |
| 6 HOOK STRIP COVER                          | 13 SCREWS #10-16x<br>3/4" LG FLAT<br>FOR GUIDES | 20 SCREWS 10-16<br>SELF-DRILLING<br>FOR BUMPERS<br>AND STRIKE |                    |
| 7 TRACK LONG                                | 14 ROLLER ADJUST<br>HOLE PLUG                   | 21 DRAINAGE COVER                                             |                    |







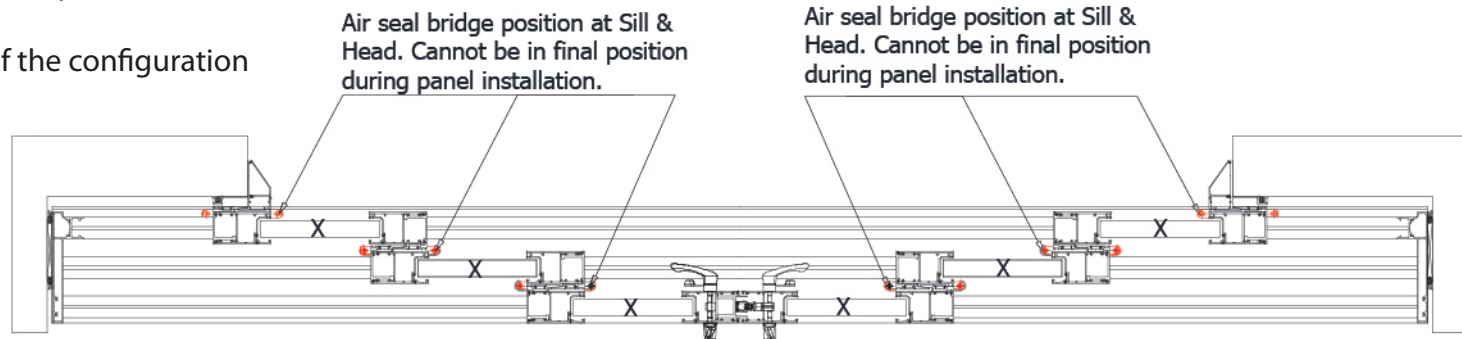
**PXXXXXXP PANEL INSTRUCTIONS**



**NOTES:**  
All panels are installed the same way.

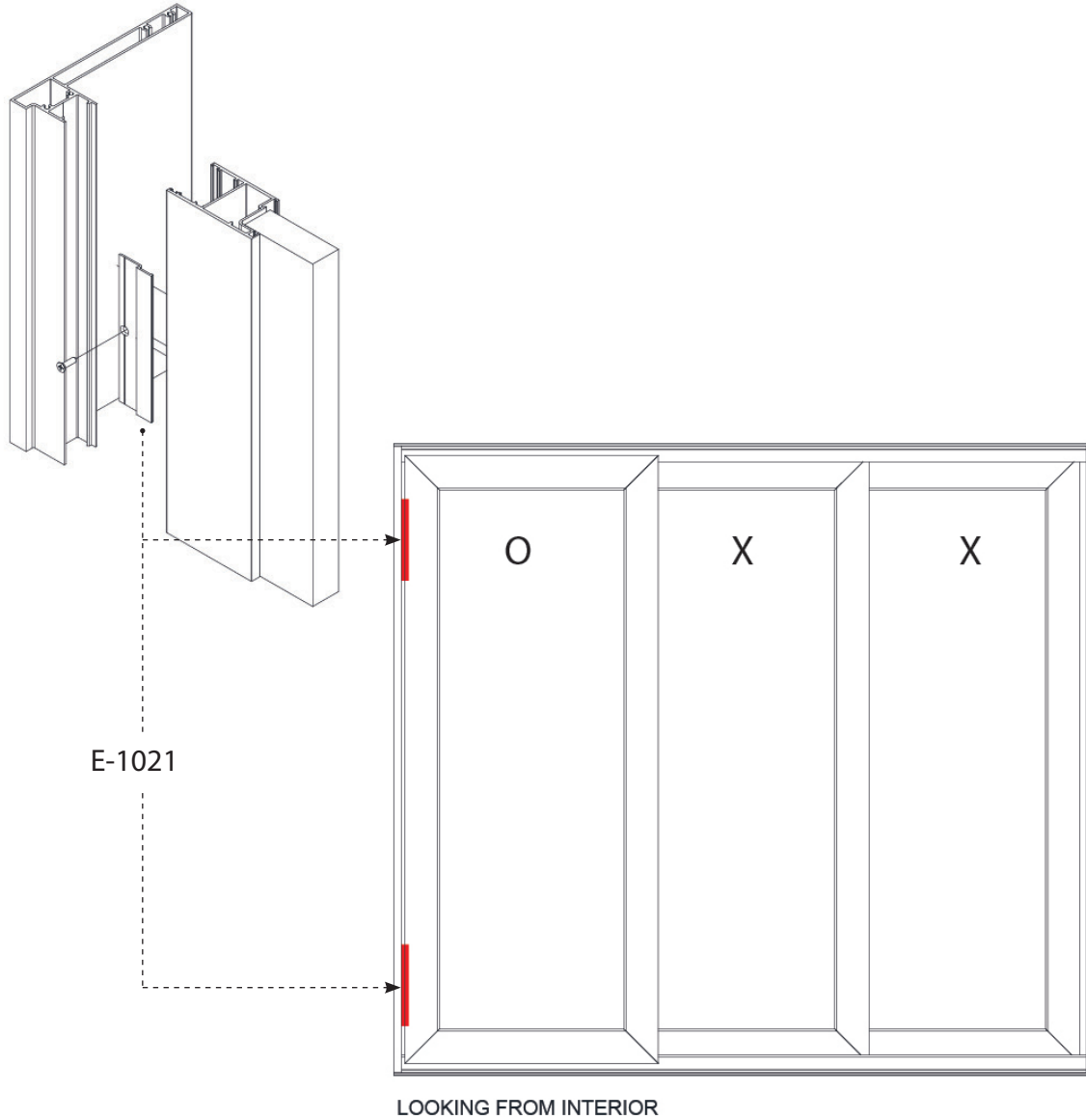
For the position of the panels of the configuration PXXXXXXP, see pages 29-32.

**PANEL POSITIONS**

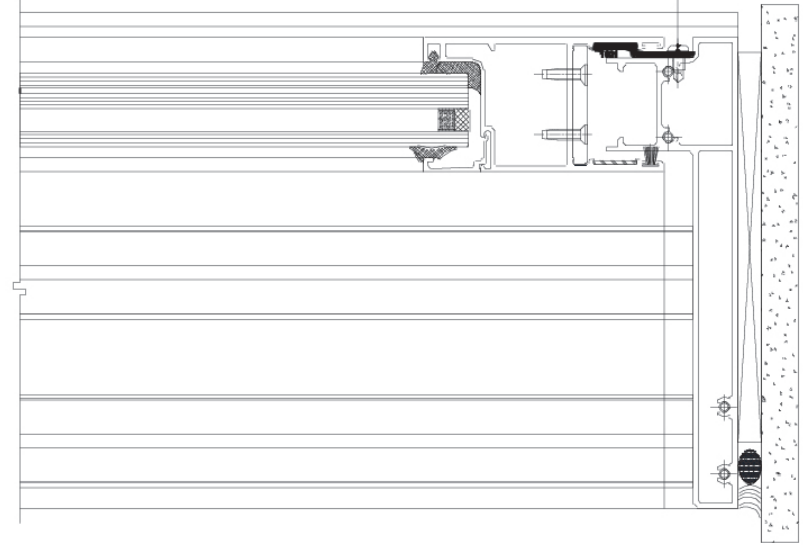




**FIX PANEL INSTALLATION**

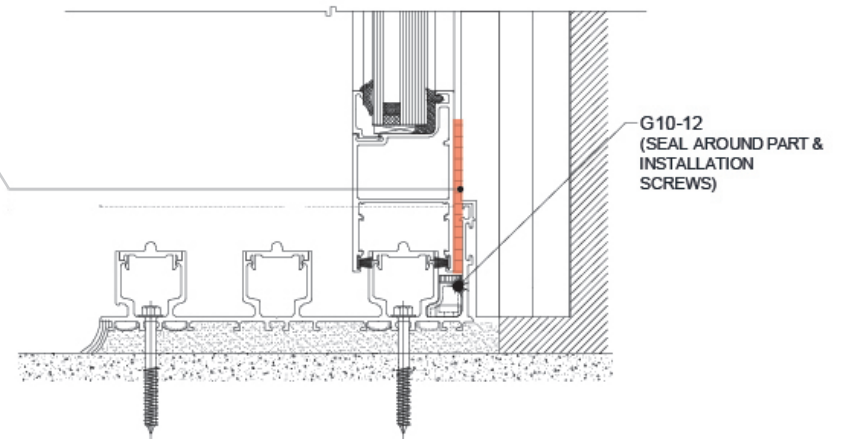
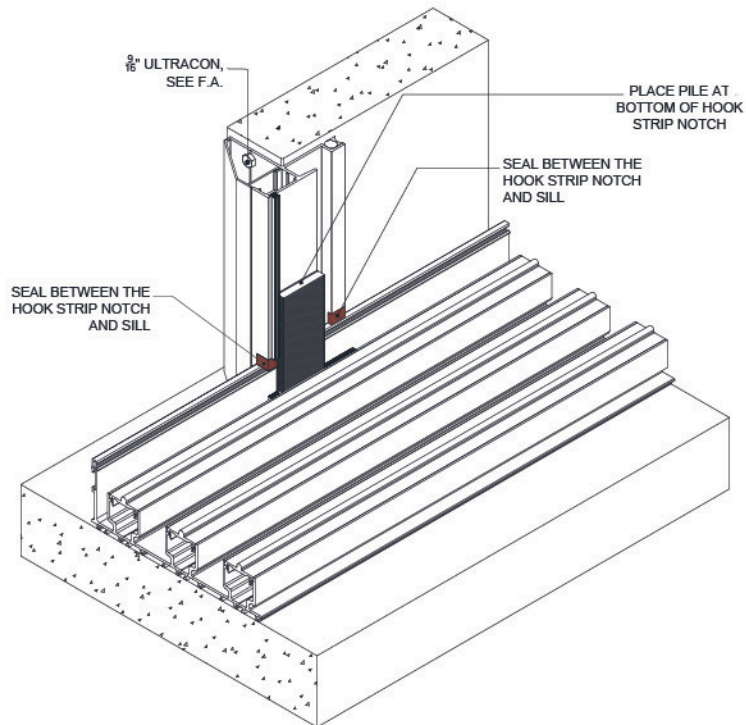
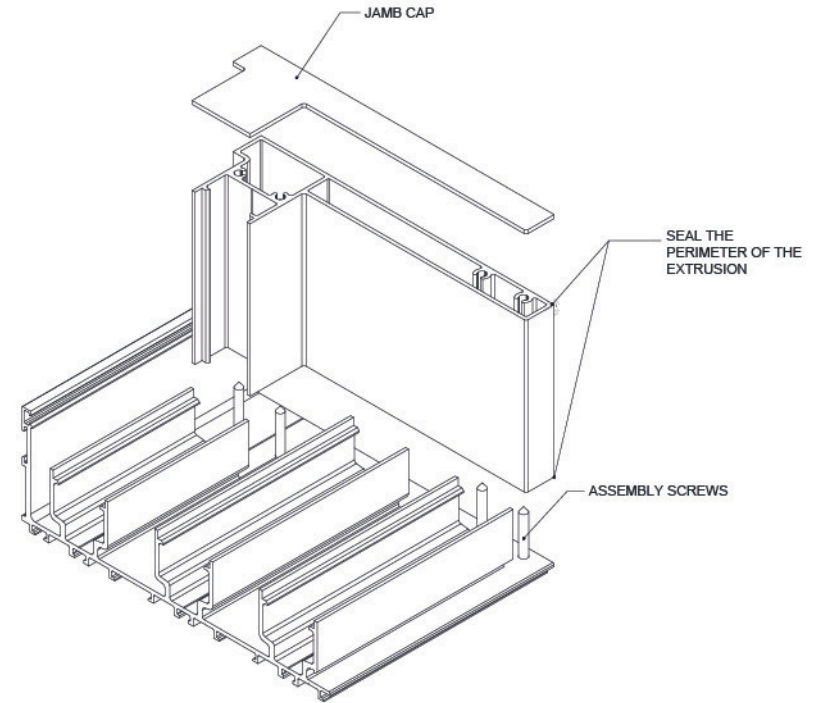
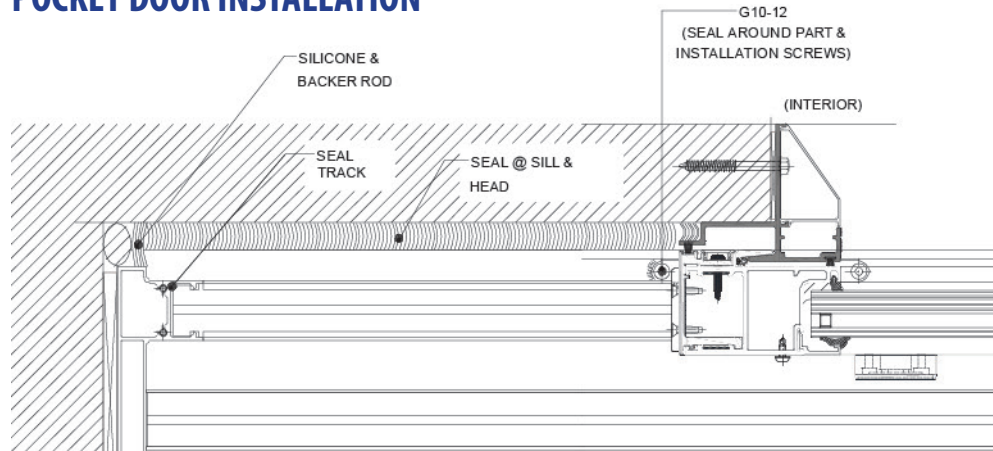


#10-16 PH PH AISI 316  
LG 1/2" SELF DRILLING



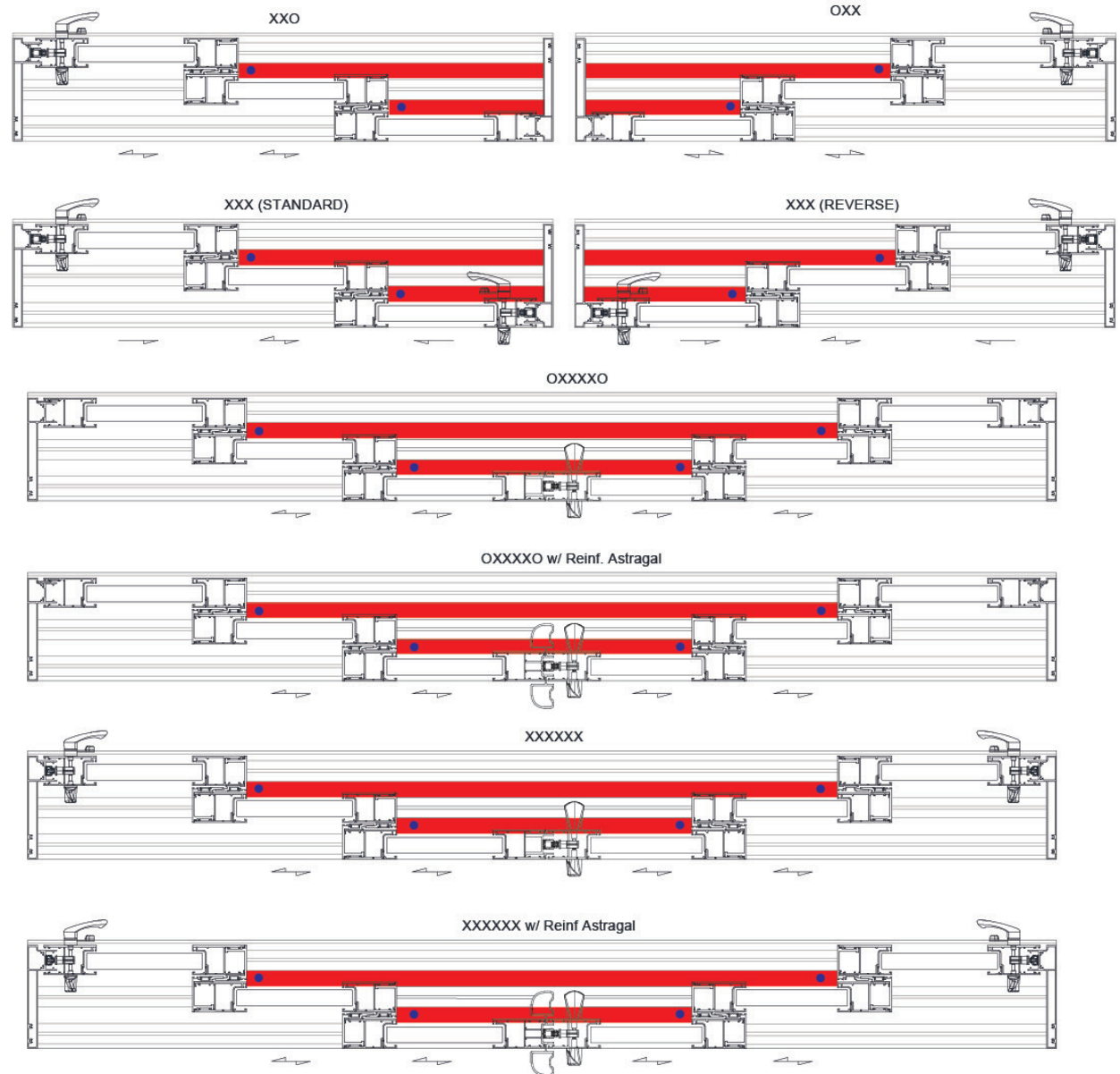
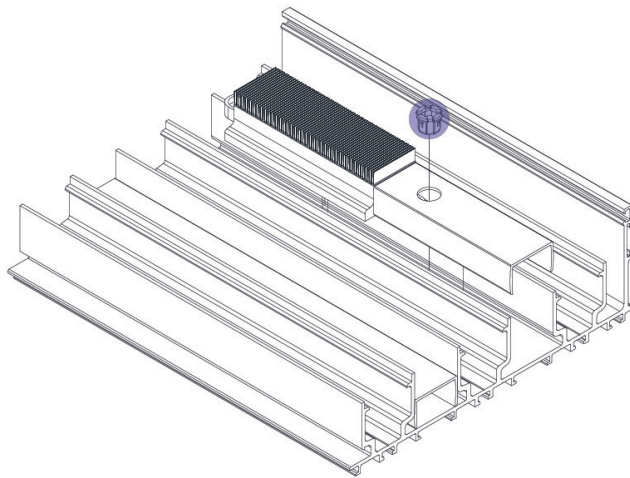


**POCKET DOOR INSTALLATION**





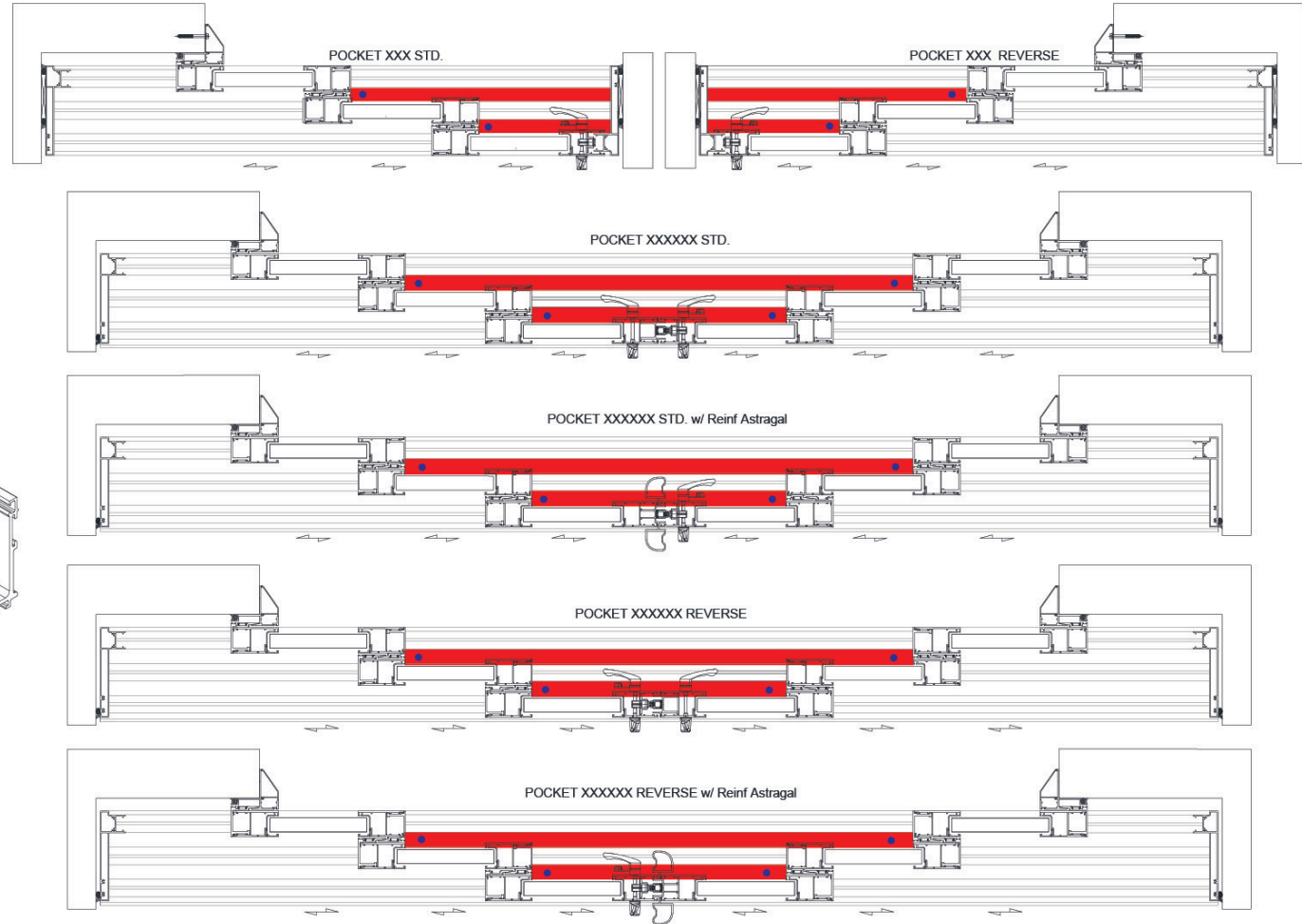
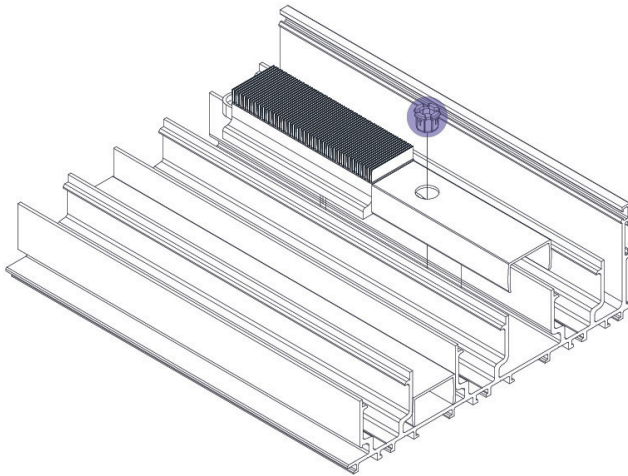
**COVERS PER CONFIGURATION**





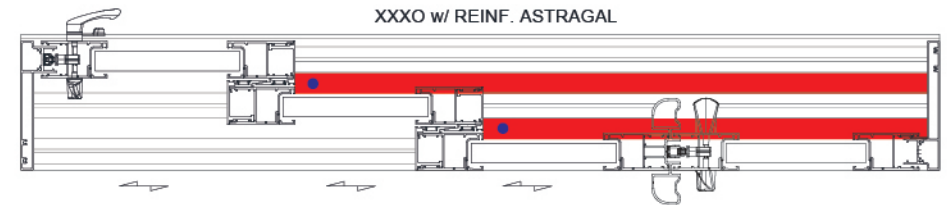
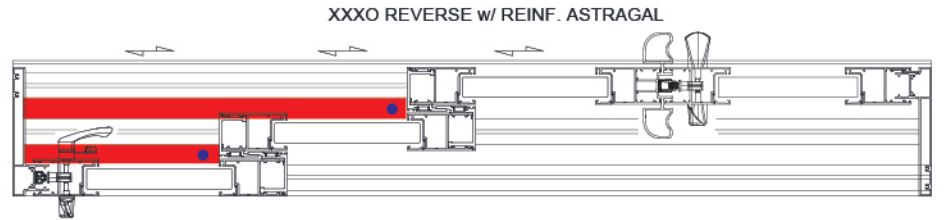
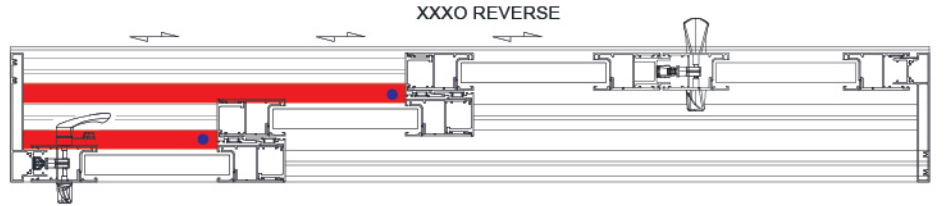
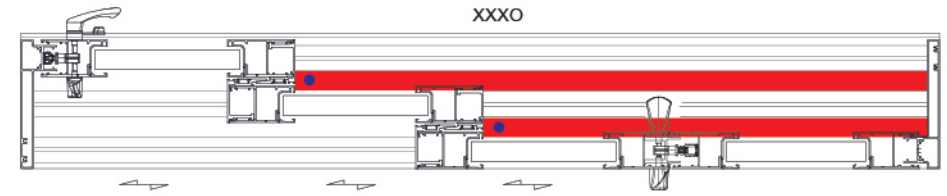
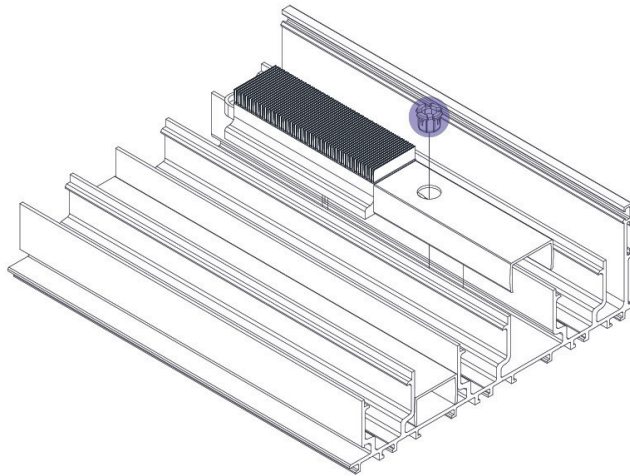


**COVERS PER CONFIGURATION (Cont.)**



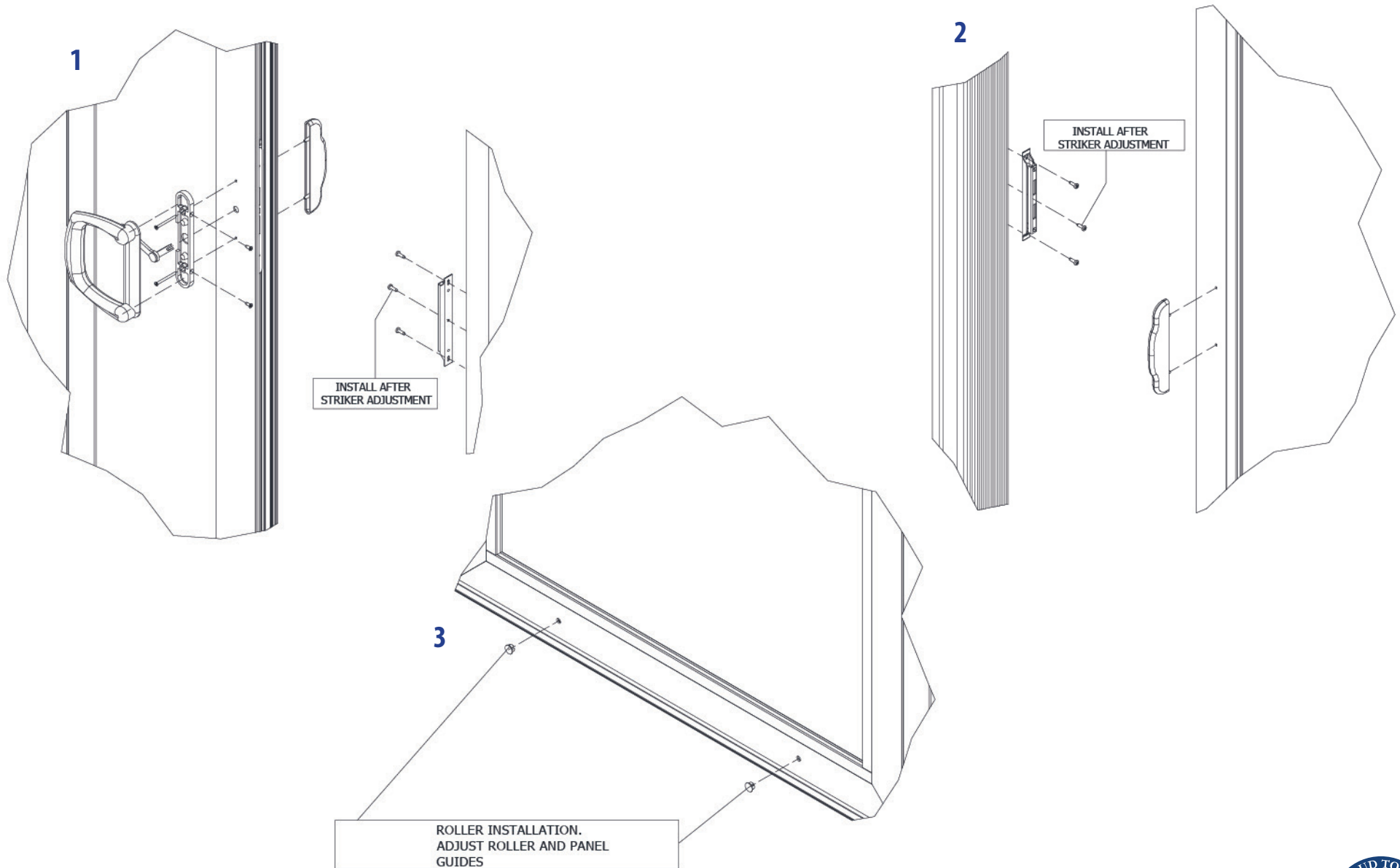


**COVERS PER CONFIGURATION (Cont.)**



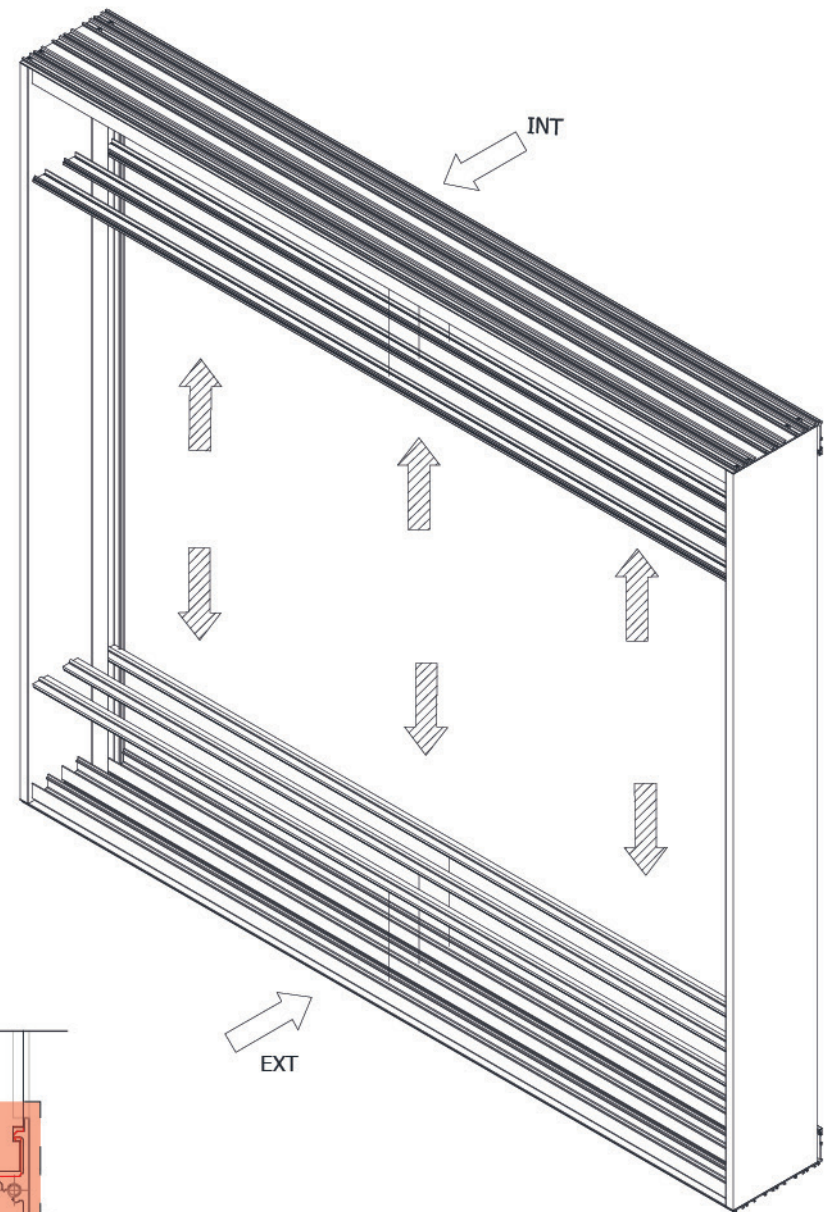
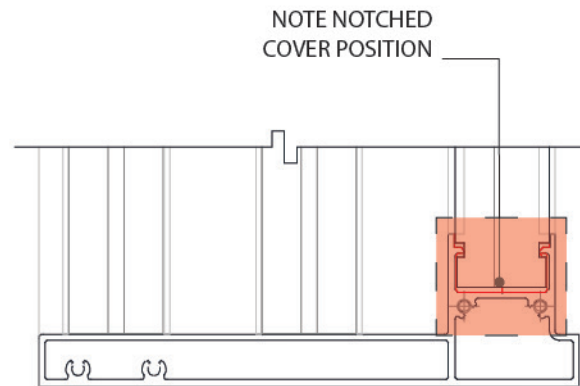
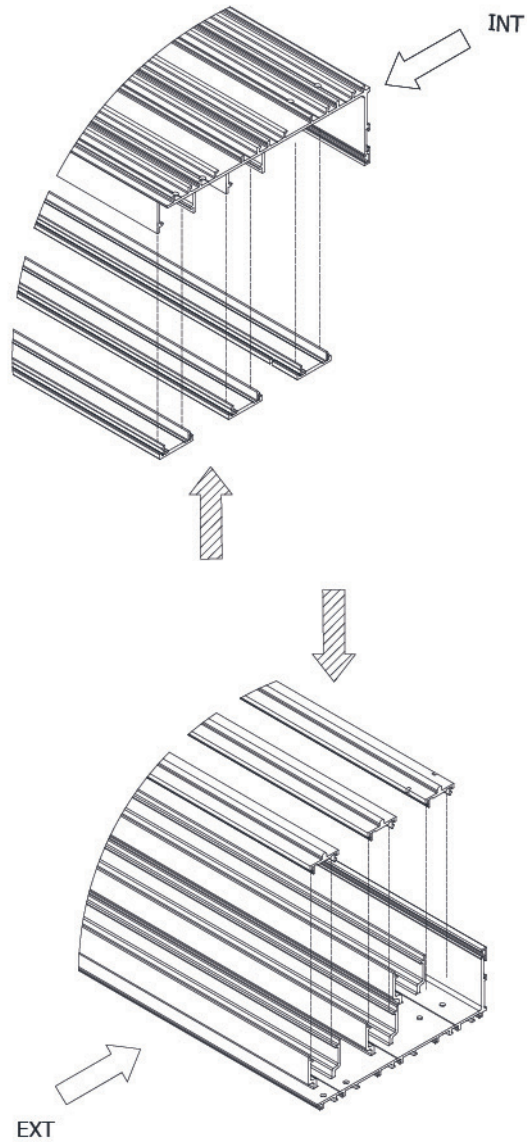


## HANDLE INSTALLATION INSTRUCTIONS





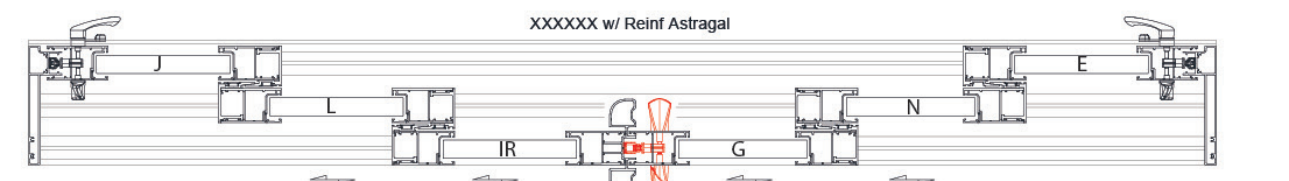
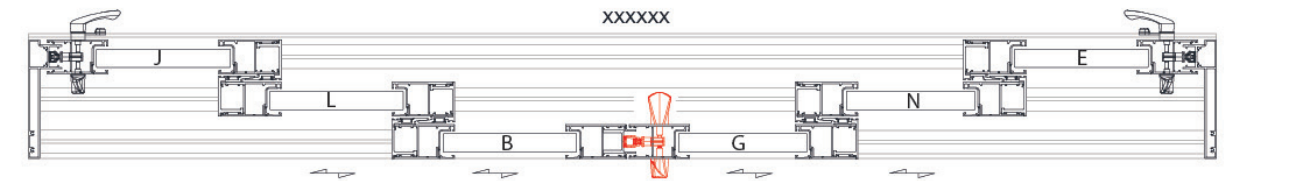
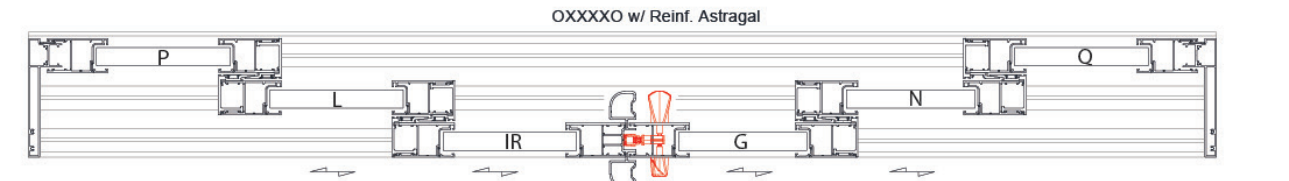
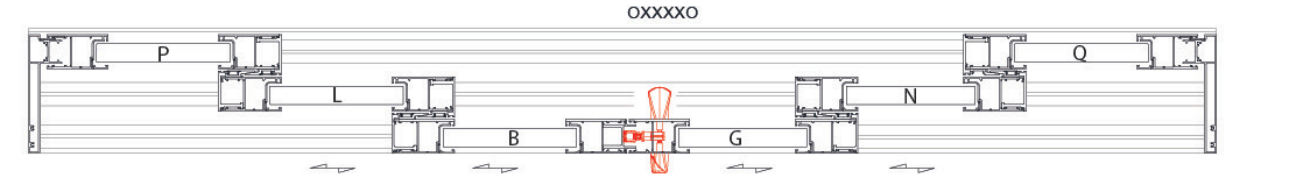
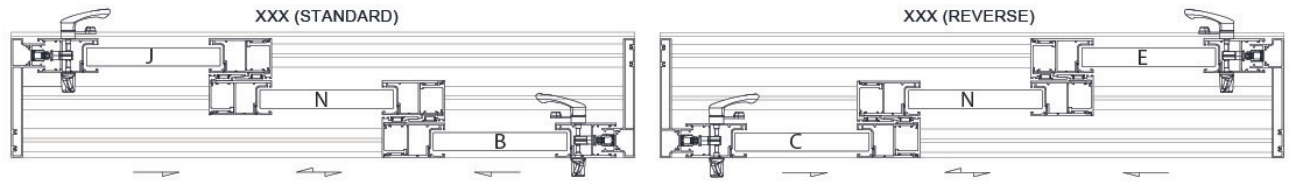
### TRACK INSTRUCTIONS





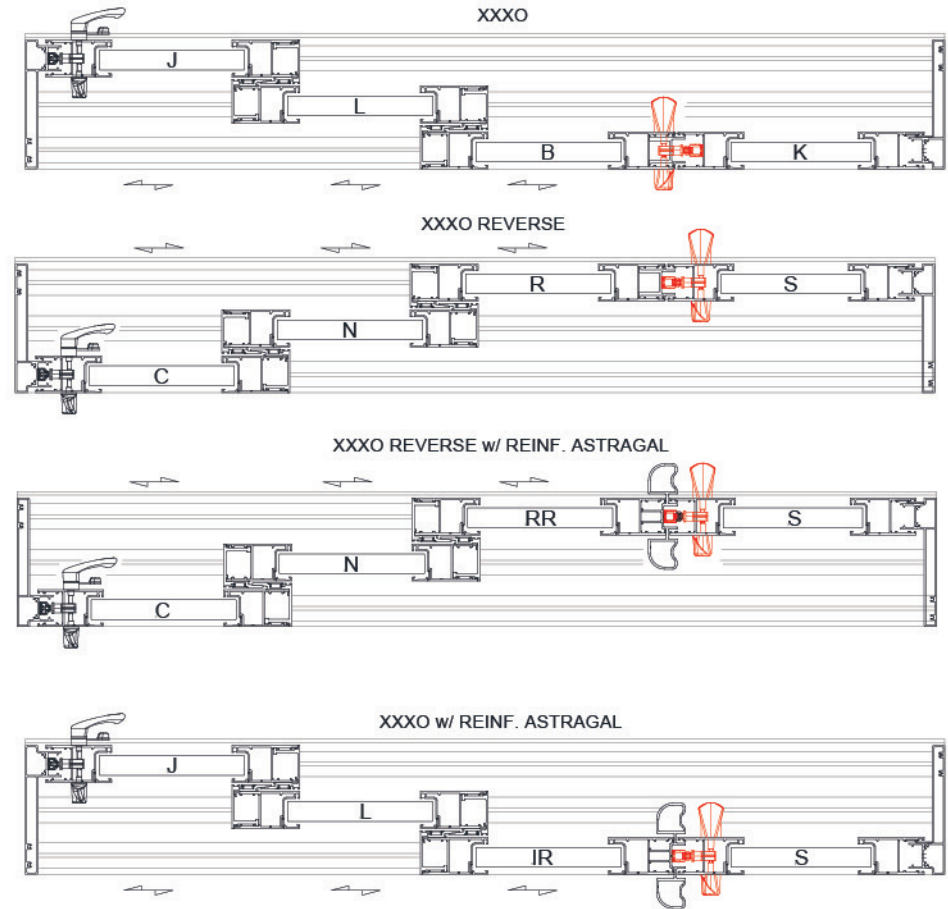


**CONFIGURATION TYPES**



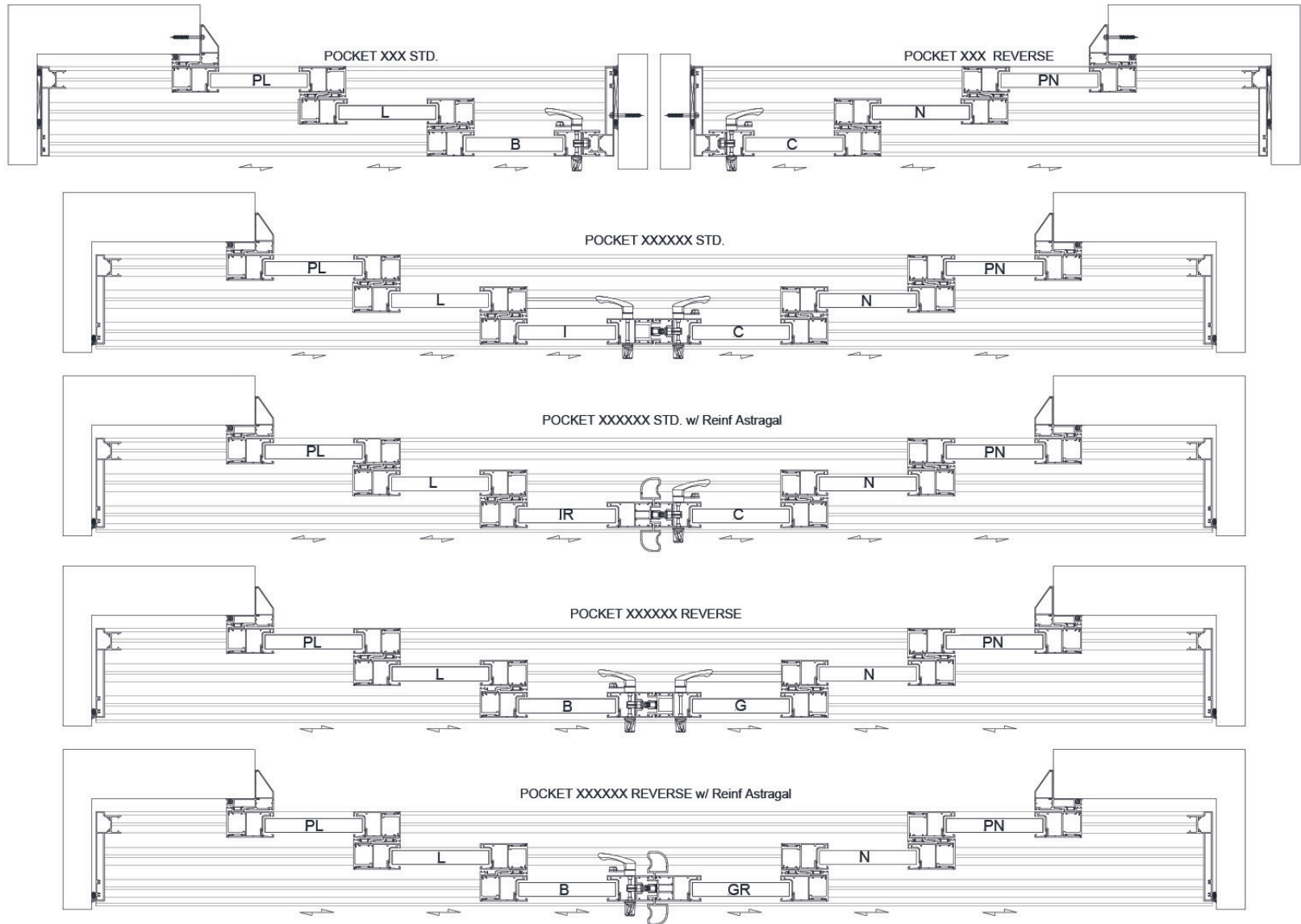


**CONFIGURATION TYPES (Cont.)**



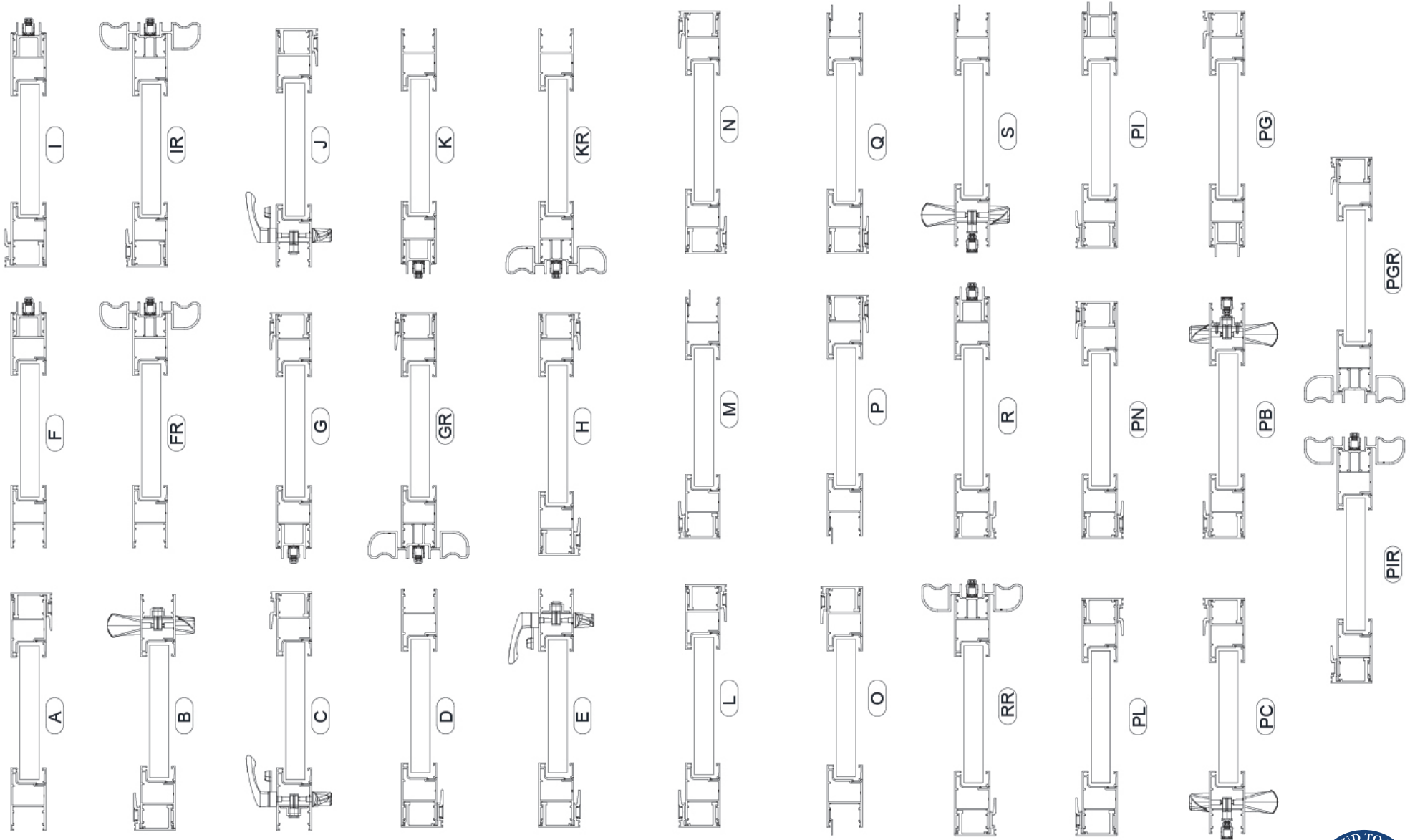


**CONFIGURATION TYPES (Cont.)**





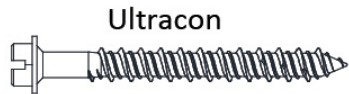
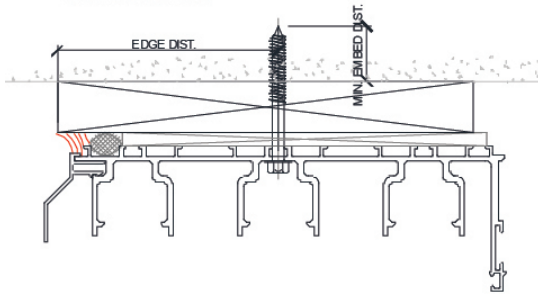
**PANEL TYPES**





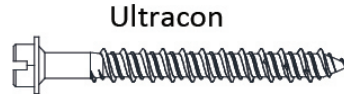
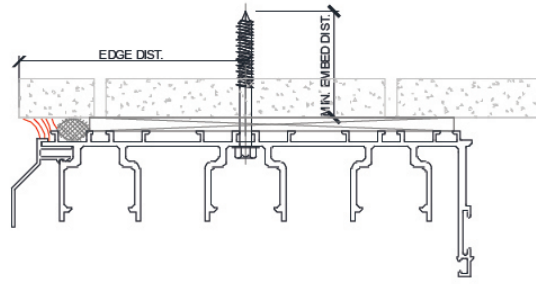
**ANCHORS**

a. THRU "1 BY" with 1 1/2" min. embed into concrete.



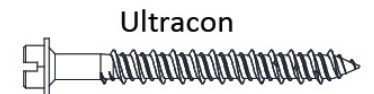
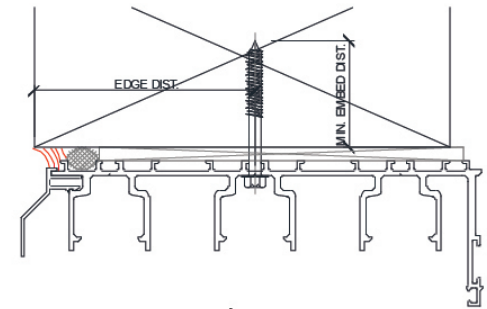
**Ultracon**  
ø5/16 HEX WASHER HEAD (HWH)  
3 1/4" Minimum Length (For 1/2" max. shim space)

b. Into concrete



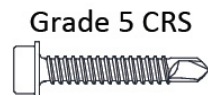
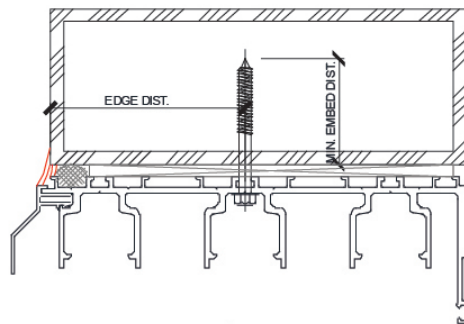
**Ultracon**  
ø5/16 HEX WASHER HEAD (HWH)  
2 3/4" Minimum Length (For 1/2" max. shim space)

c. In wood structure "2 BY" with 1 7/8" min. penetration into wood.



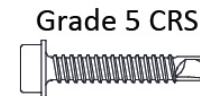
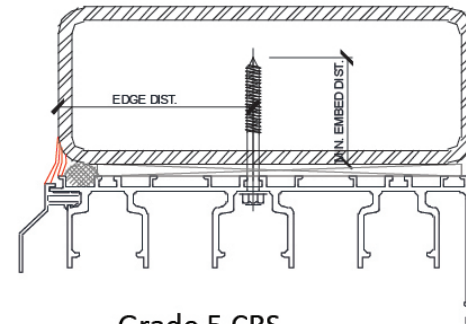
**Ultracon**  
ø5/16 HEX WASHER HEAD (HWH)  
2 3/4" Minimum Length (For 1/2" max. shim space)

d. Into Aluminum



**Grade 5 CRS**  
ø5/16 Teks or Self-Drilling  
2 1/4" Minimum Length (For 1/2" max. shim space)

e. Into Steel



**Grade 5 CRS**  
ø5/16 Teks or Self-Drilling  
2 1/4" Minimum Length (For 1/2" max. shim space)

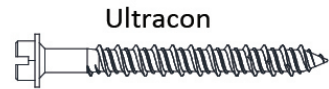
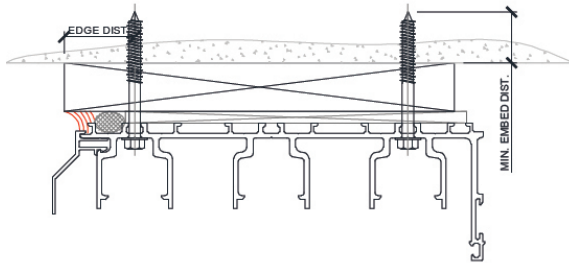






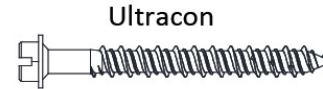
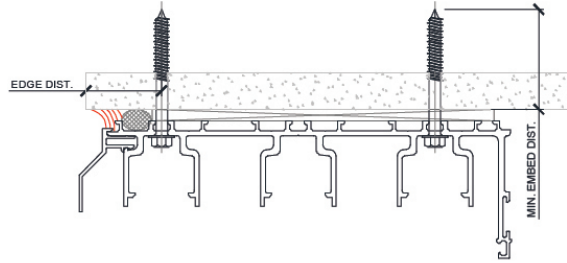
**ANCHORS (Cont.)**

f. THRU "1 BY" with 1 1/2" min. embed into concrete.



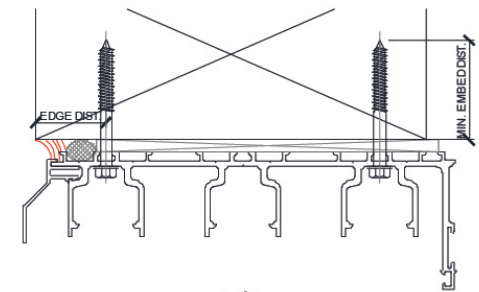
**Ultracon**  
ø5/16 HEX WASHER HEAD (HWH)  
3 1/4" Minimum Length (For 1/2" max. shim space)

g. Into concrete



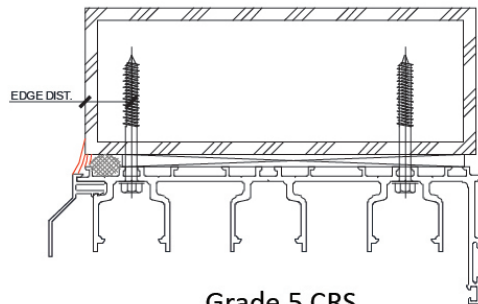
**Ultracon**  
ø5/16 HEX WASHER HEAD (HWH)  
2 3/4" Minimum Length (For 1/2" max. shim space)

h. In wood structure "2 BY" with 1 7/8" min. penetration into wood.



**Ultracon**  
ø5/16 HEX WASHER HEAD (HWH)  
2 3/4" Minimum Length (For 1/2" max. shim space)

i. Into Aluminum

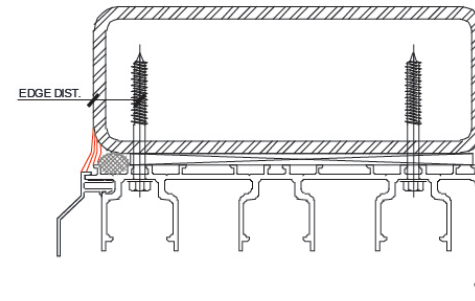


**Grade 5 CRS**



ø5/16 Teks or Self-Drilling  
2 1/4" Minimum Length (For 1/2" max. shim space)

j. Into Steel



**Grade 5 CRS**



ø5/16 Teks or Self-Drilling  
2 1/4" Minimum Length (For 1/2" max. shim space)





## DOOR CLEANING

- A. Once the installation is complete, proceed to clean the door. Mr. Glass recommends using water and mild soap or detergent.
- B. Consult Service Bulletin 01-2021 "Maintenance of coated surfaces" and 02-2021 "Glass Cleaning Recommendations".
- C. Do not use sharp objects that may damage the finish in the aluminum or scratch the glass.
- D. Remove all temporary seals and logos.
- E. Clean the work area and dispose of all the packaging residues.

