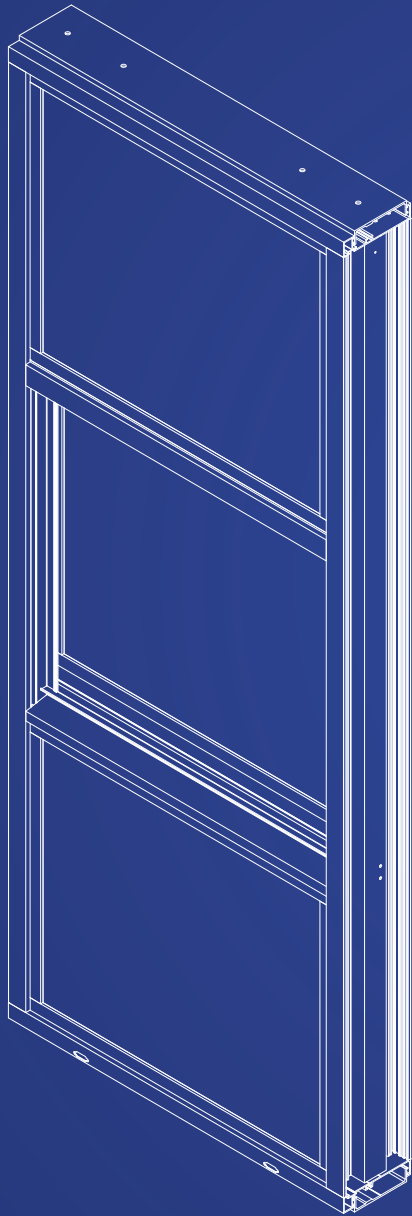


INSTALLATION MANUAL

Series MG-250 Single Hung Window



MR-GLASS
DOORS & WINDOWS
MANUFACTURING, LLC





INTRODUCTION

These instructions are provided as a general guide for installation. The Florida Approval of the product (FL32415 LMI and SMI) should be used together with these instructions.

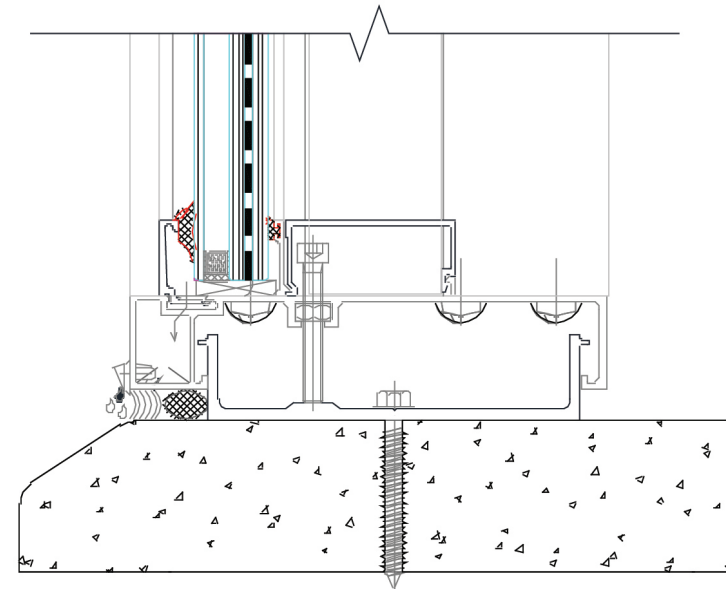
Only professionals and experienced installers should attempt to install these windows.

Read all instructions carefully. If in doubt contact Mr. Glass Doors and Windows. We will be happy to assist.

Use the required protection gear and take all necessary safety precautions depending on the type of installation. Take special care when working at heights. The MG250 Series is a window wall containing a single hung window. A full view fix unit without window is also available. The MG250 can be installed as a single unit (jamb/jamb) or as part of multiple unit storefront. In that case the verticals of the units are a combination of jamb, male or female mullions.

These vertical mullions combine the units and create a joinery that will be silicone sealed at the end of the installation.

In constructions with extreme wind and water exposure, Mr. Glass recommends that masonry openings be treated with liquid flashing and sealed per standards FMA/AAMA 200-12 and FMA/AAMA/WDMA. That is not mandatory per code and depends on the specifications of the project.

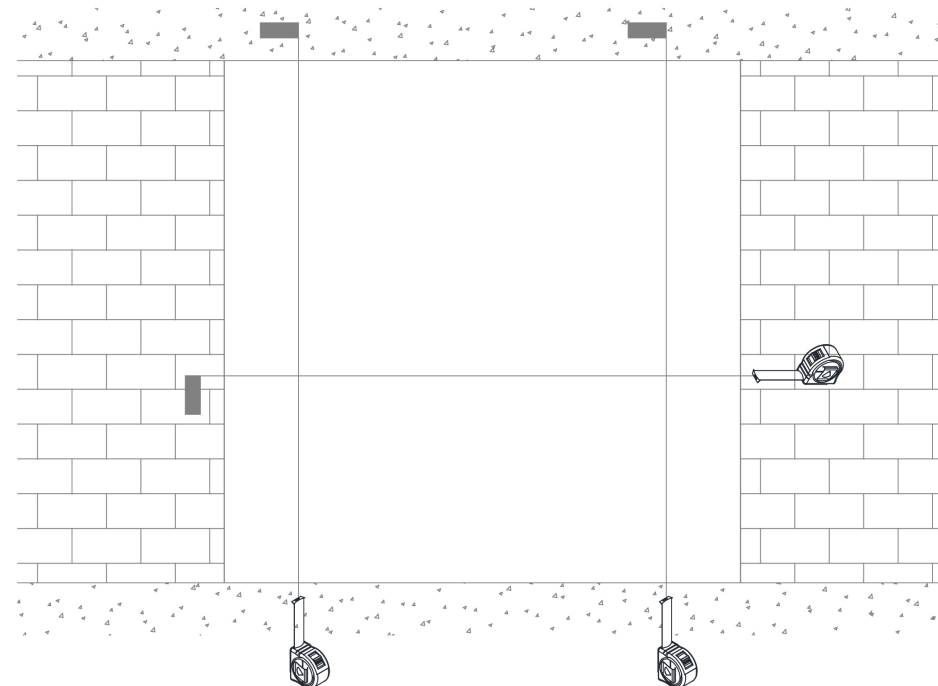




INSPECTION OF THE OPENING

This is the first step and must be executed regardless of the type of installation:

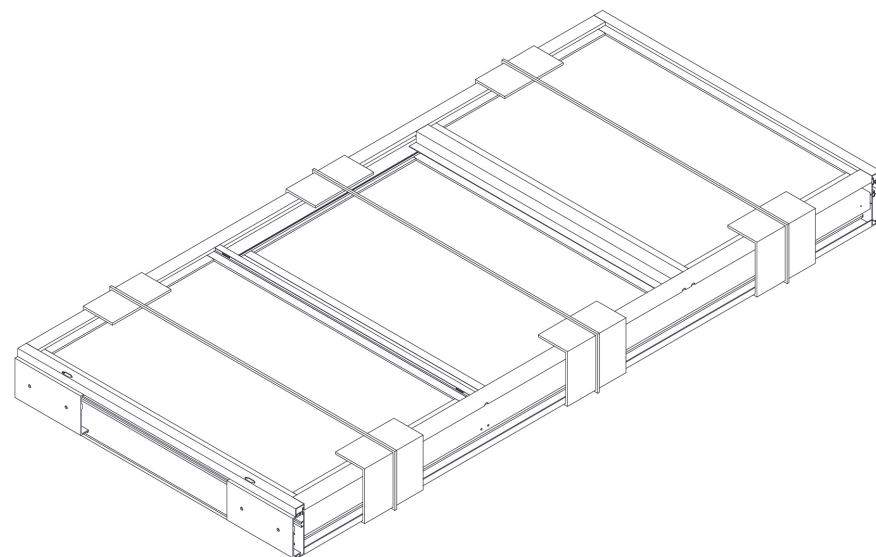
- A. Verify that the opening has the correct dimensions. That it is square, plumb and true. No more than 1/4" difference in square (diagonals) is acceptable. The dimensions of height and width should be within 1/8" of the nominal opening dimension.
- B. In case of masonry openings check for cracks or missing mortar, mainly in the sill that might eventually allow water and humidity migration. Clean any residue of mortar. Any defect should be addressed and corrected by the trade responsible for the opening.
- C. Mr. Glass recommends the sill have a slope to direct the water out of the building. No openings with inverted slope should be accepted. That will compromise the correct drainage and function of the window.
- D. Check the shop drawings and verify that the opening preparation follows the specifications.





UNPACKING THE WINDOW

- A. In case of a retrofit: Before removing any existing window verify that the new window corresponds to the specifications of the project in type and dimensions and that they match the opening size.
- B. Carefully remove the straps and cardboard. Do not use sharp or pointy objects that may damage the aluminum finish or the glass
- C. Verify the window and check that everything is correct.
- D. Remove the covers and place them in a safe location. To verify the operation of the vent make sure that the window is standing upright. In any other position the weight of the sash will not be loading the balances and opening the locks will trigger a sudden, violent opening of the sash that may injure the installer and damage the window.
- E. The covers cannot be installed until the anchor installation inspection has been completed and approved by the building official.

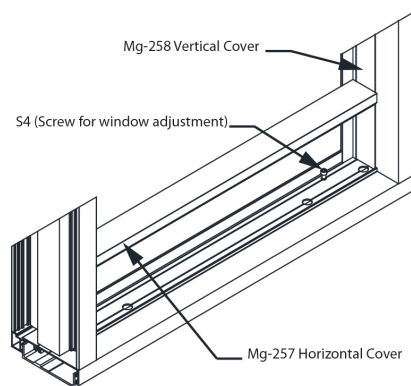
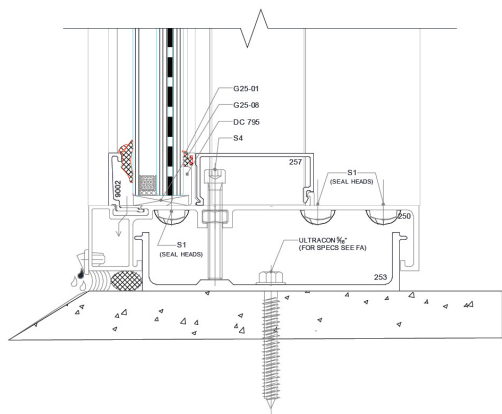




WINDOW INSTALLATION

A. MG-250 window wall is designed to be installed with anchors at head and sill only. The jambs are unanchored except for single units with height greater than 120"

B. The anchor clips are continuous at head and sill.

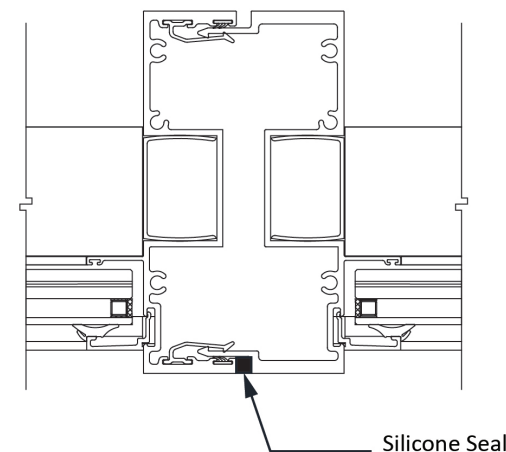


C. Present the window inside the opening.

D. Via S4 screws at sill, adjust the level/height of the window. Adjust the screws at head to project out the anchor clips 253 until it reaches the substrate on top.

E. Ensure there is a minimum 1/4" gap between the sill and the concrete at the bottom (3/8" is recommended by Mr. Glass) to allow for free drainage. Ensure that no stucco or other finish is going to be applied to the opening in a way that prevents the drainage to work properly. Opening sill with positive slope, to help drainage is encouraged in new construction and wherever it is feasible.

F. If the window is formed by several units. Bring the next adjacent unit to the opening and snap it in place with the one already there via the vertical mullions and the clips 9007. Repeat the process of leveling used before.



G. The clips 9007 are located between horizontals. It is useful to use plastic clamps to help attain the snap. A 1/4" gap should be respected between verticals.

H. Verify that it is level and plumb.

I. Start applying the anchors into the clips 253 via access holes at sill and head, Check the required length of the anchors in the next section.

J. Once all anchors are in place, release (un-tighten) the S4 screws at head, to allow for some vertical movement due to live load of slab above or due to thermal expansion of the units.

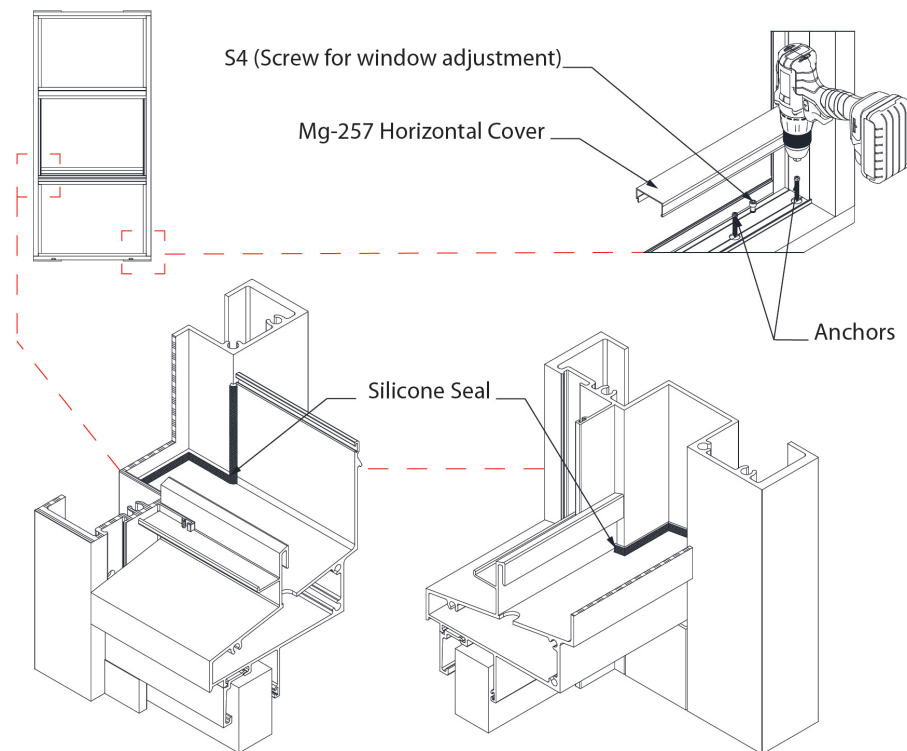
K. At this point the anchor inspection can be performed and once finished the covers 257 can be reinstalled.





WINDOW INSTALLATION (Cont.)

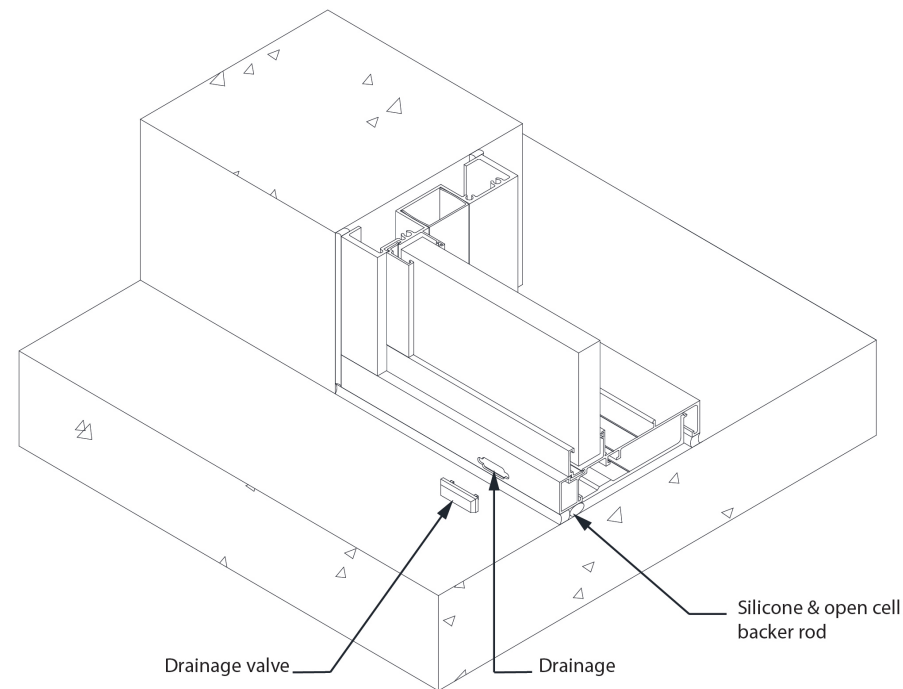
- L. Verify that the sash operates correctly and that the guides are installed. With the vent opened verify that the seal at the joint of the sill and the vertical is correct. This is a critical seal detail that can be damaged during transportation or installation. Mr. Glass recommends to retouch it once the installation is finished.





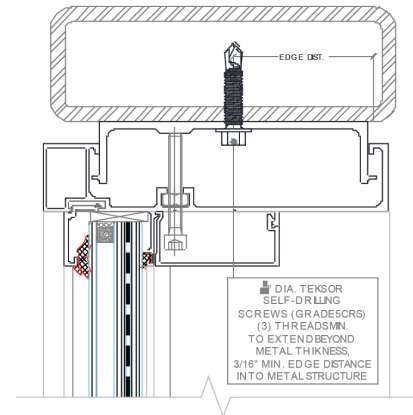
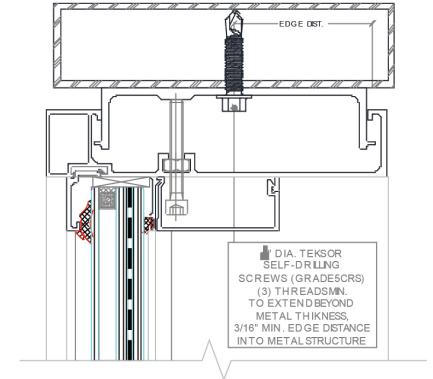
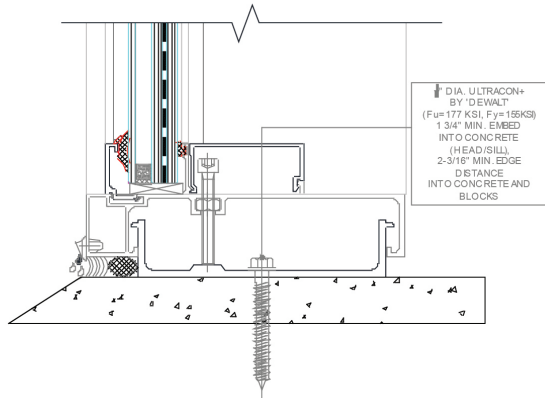
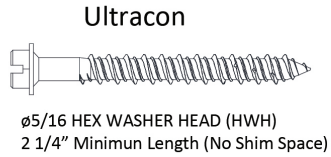
SEALING THE WINDOW

- A. Prior to the initial seal of the unit check the shop drawings to see the details as well as the type of silicone specified.
- B. MG-250 can be used in residential and commercial applications. Depending on the type of project it is possible that silicone adhesion as well as compatibility tests on substrates etc., have been specified. Make sure to consult the test reports and follow the instructions.
- C. Clean the opening as well as removing residue debris, stucco etc.
- D. Use open cell backer rod between the window and the substrate. For un-anchor jambs make sure that the minimum gap between the jambs and the substrate are being followed per Florida Approval
- E. Apply the sealant and tool it properly. Make sure the sill drainages are not obstructed with silicone. If it has not been done set in place the drainage valves.
- F. For multiple units, the 1/4" joint between panels will be sealed. Clean the aluminum surface with alcohol and dry it with a non abrasive cloth immediately. The joint between units has to match with the perimeter seal.





ANCHORS





WINDOW CLEANING

- A. Once the installation is complete proceed to clean the window. Mr. Glass recommends using water and mild soap or detergent.
- B. Consult Service Bulletin 01-2021 "Maintenance of coated surfaces" and 02-2021 "Glass Cleaning Recommendations"
- C. Do not use sharp objects that may damage the finish in the aluminum or scratch the glass.
- D. Remove all temporary seals and logos.
- E. Clean the work area and dispose of all the packaging residue.

