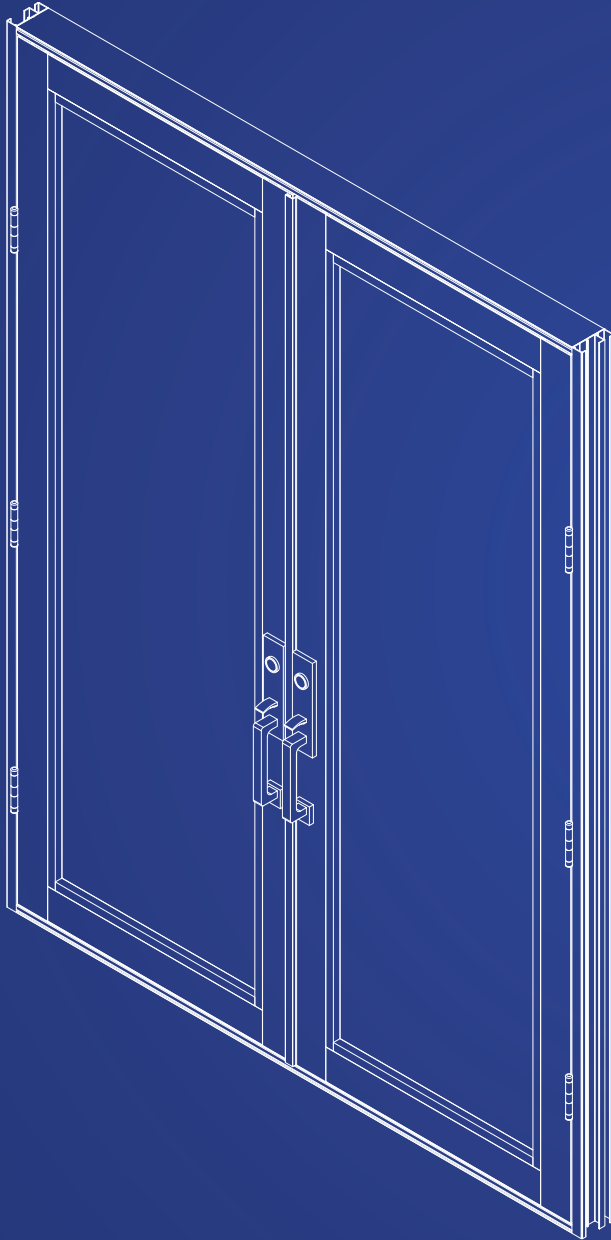


INSTALLATION MANUAL

Series MG-3000 French Door



MR-GLASS
DOORS & WINDOWS
MANUFACTURING, LLC





INDEX

INTRODUCTION	3
INSPECTION OF THE OPENING	4
WOOD BUCK INSTALLATION	5
UNPACKING THE DOOR	6
MG-3000 DOOR OPTIONS	7
ANCHORS	8
TYPE OF INSTALLATION	11
DOOR INSTALLATION	12
ASHLAND OPTION	13
INTERLOCK OPTION	14
SIDELITE INSTALLATION	15
SEAL	16
DOOR CLEANING	17





INTRODUCTION

These instructions are provided as a general guide for installation. The Florida Approval of the product (FL29675 / FL26942 LMI) should be used together with these instructions.

Only professionals and experienced installers should attempt to install these doors.

Read all instructions carefully. If in doubt contact Mr. Glass Doors and Windows, we will be happy to assist.

Use the required protection gear and take all necessary safety precautions depending on the type of installation, especially those concerning working on heights.

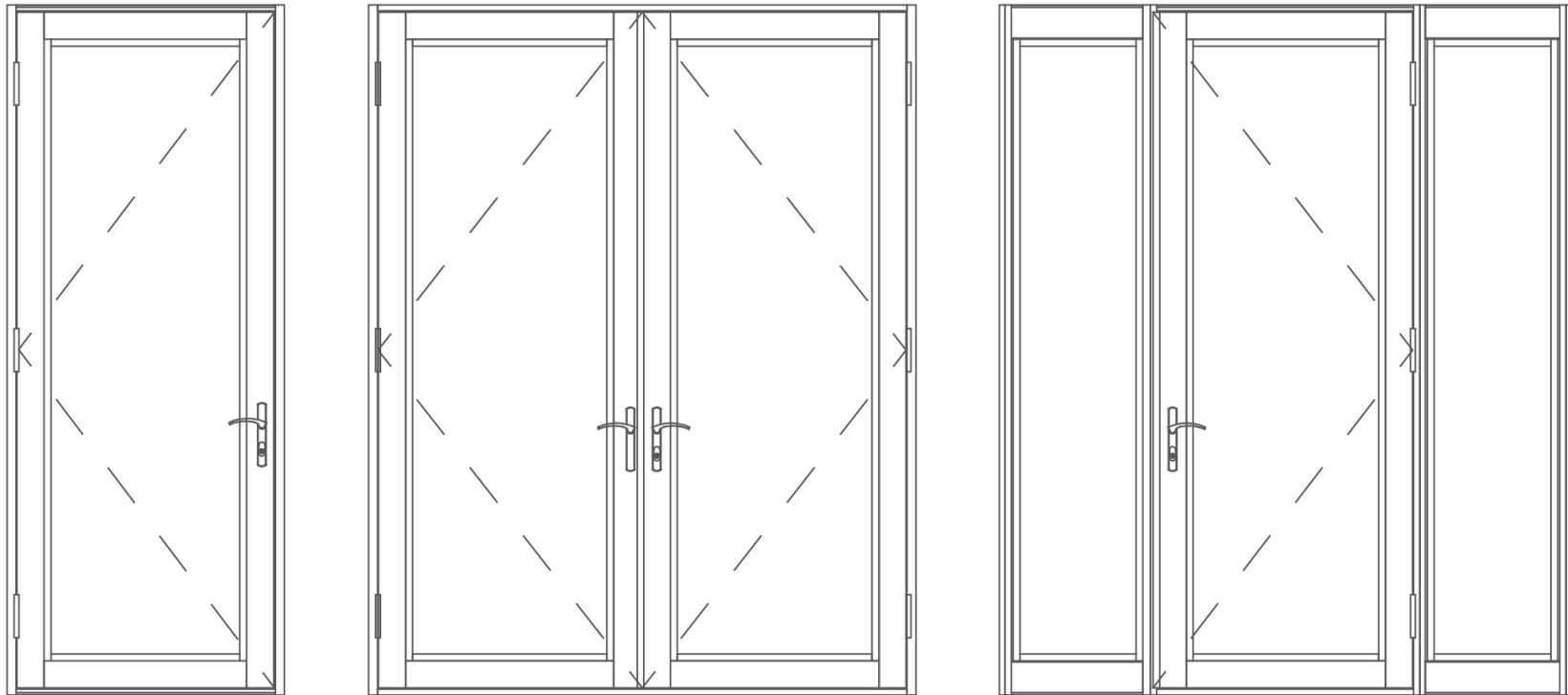


Fig. 1





INSPECTION OF THE OPENING

This is the first step and needs to be executed regardless of the type of installation:

- A. Verify that the opening has the correct dimensions, that it is square plumb and true. No more than 1/4" difference in square (diagonals) will be acceptable. The dimensions of height and width should be within 1/8" of the nominal opening dimension.
- B. In case of masonry openings, check for cracks or missing mortar mainly in the sill that may eventually allow water and humidity migration. Clean any residue of mortar. Any defect should be addressed and corrected by the trade responsible for the opening.
- C. Mr. Glass recommends the sill have a slope to direct the water out of the building. No openings with inverted slope should be accepted. That will compromise the correct drainage and function of the door.
- D. In new construction it is very important to avoid openings that have the stucco at the header sloping down towards the frame. That makes it very difficult to prevent leaks.
- E. Check the shop drawings and verify that the opening preparation follows the specifications.
- F. In case the installation is with wood buck, verify that a proper seal has been applied between the wood and the masonry. Also verify that the wood bucks touch each other and that they have been sealed to one another.
- G. The wood buck opening dimensions should be verified. It should be plumb, square and true. In case of detecting any defects, do not install until the issue is corrected.

H. On constructions with extreme wind and water exposure, Mr. Glass recommends that masonry openings be treated with liquid flashing and sealed per standards FMA/AAMA 200-12 and FMA/AAMA/WDMA 400-13. That is not mandatory per code and depends on the specifications of the project.

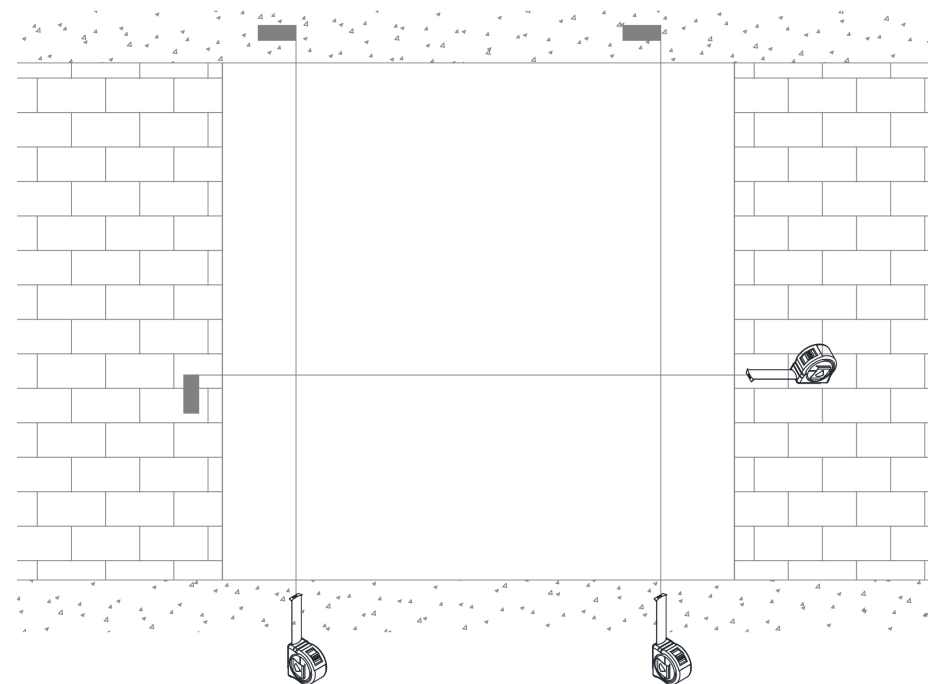


Fig. 2





WOOD BUCK INSTALLATION

In case the wood buck installation falls in the installers scope:

- A. Use only pressure treated wood buck of appropriate dimensions.
- B. The wood buck should be attached to the masonry independently of the door. Quantity and anchor disposition will be according to the engineer's or shop drawings' specifications.
- C. Prior to installation of the buck, apply a 3/8" bead of silicone on the face of the wood buck around the entire perimeter (see figure 3) This seal will be smashed to the masonry opening when the wood buck is applied to it.

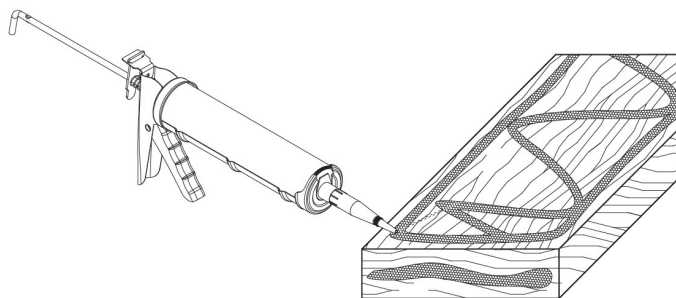


Fig. 3

- D. When installing the bucks, make sure that they align with each other creating a continuous, planar mounting surface.
- E. Once the bucks are attached to the masonry, apply a bead of silicone to the exterior perimeter between the wood and the masonry, and into the joinery between the end of the bucks. Tool the sealant ensuring its continuity.

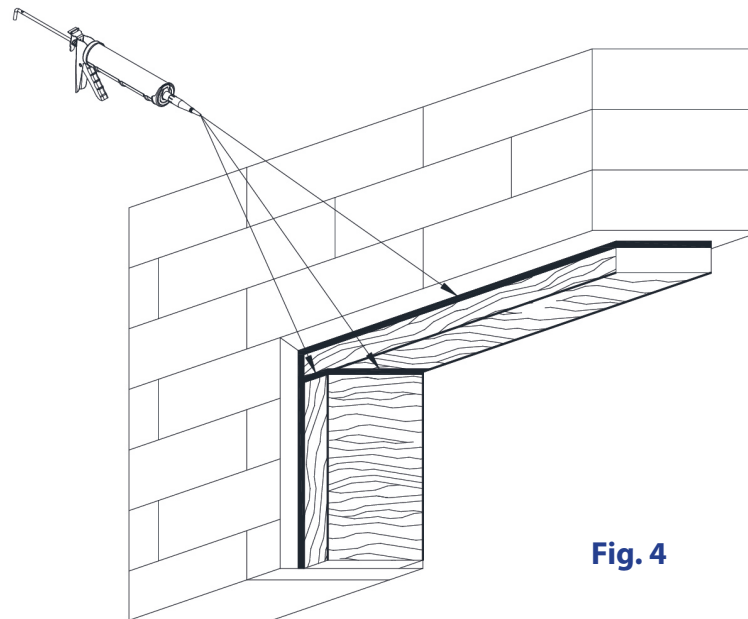


Fig. 4

- F. The wood buck opening dimensions should be verified. It should be plumb, square and true. In case of detecting any defects, do not install until the issue is corrected
- G. In new construction, it is very important to avoid openings that have the stucco at the header sloping down towards the frame. That makes it very difficult to prevent leaks.





UNPACKING THE DOOR

- A. In case of a retrofit: Before removing any existing door, verify that the new door corresponds to the specifications of the project in type and dimensions, and that they match the opening size.
- B. Carefully remove the straps and cardboard. Do not use sharp or puncturing objects that might damage the aluminum finish or the glass.
- C. Verify the door check that everything is correct. Verify that you have all the components to be installed: frame, leaves, side-lite.
- D. The covers cannot be installed until the anchor installation inspection has been completed and approved by the building official.

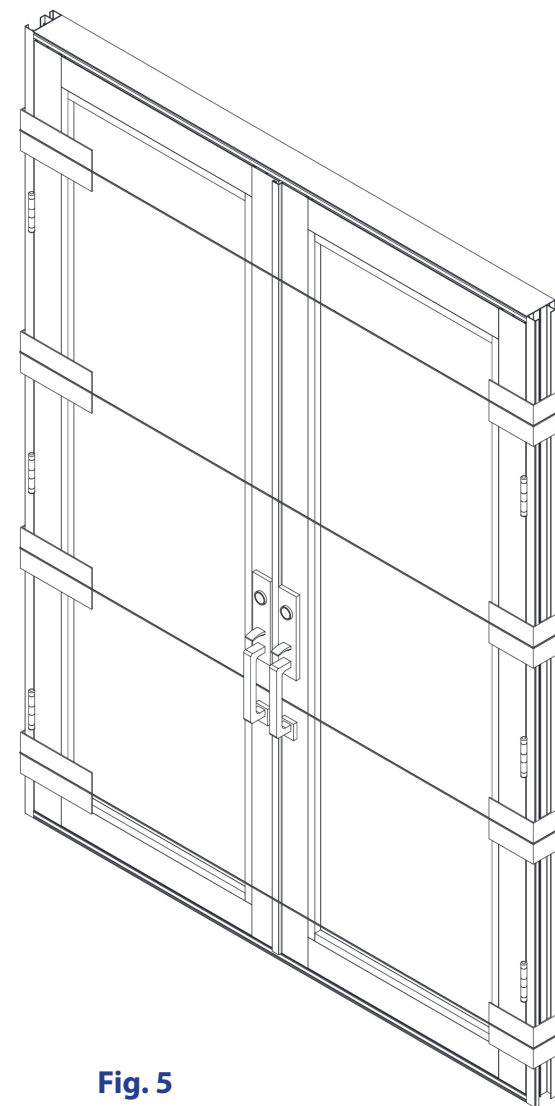


Fig. 5





MG-3000 DOOR OPTIONS

MG3000 is manufactured in the following options:

- A. With standard preparation and 2 3/8" back set, as well as flush bolt at top and bottom in the active leaf. This option is used for clients who want to install their own lock and handles. An "off the shelf" dead bolt and latch with lever handle are supplied if requested. In the case of two leave doors, the inactive leaf is provided with flush bolt at top and bottom.
- B. With a 3 Point Lock (Optimum 4 Point 50mm B/S3PL) operated by lever handle and key. In the case of two leave doors, the passive panel is provided with a 2PL (2 point lock) system, actuated by lever handle. Hardware Manufacturer: INTERLOCK
- C. With a 3 PL Ashland operated by lever handle and key. Passive panel is provided with a 2PL (2 point lock) system, actuated by lever handle. Hardware Manufacturer: ASHLAND
- D. The doors are manufactured in single and double, and in any combination with sidelites.

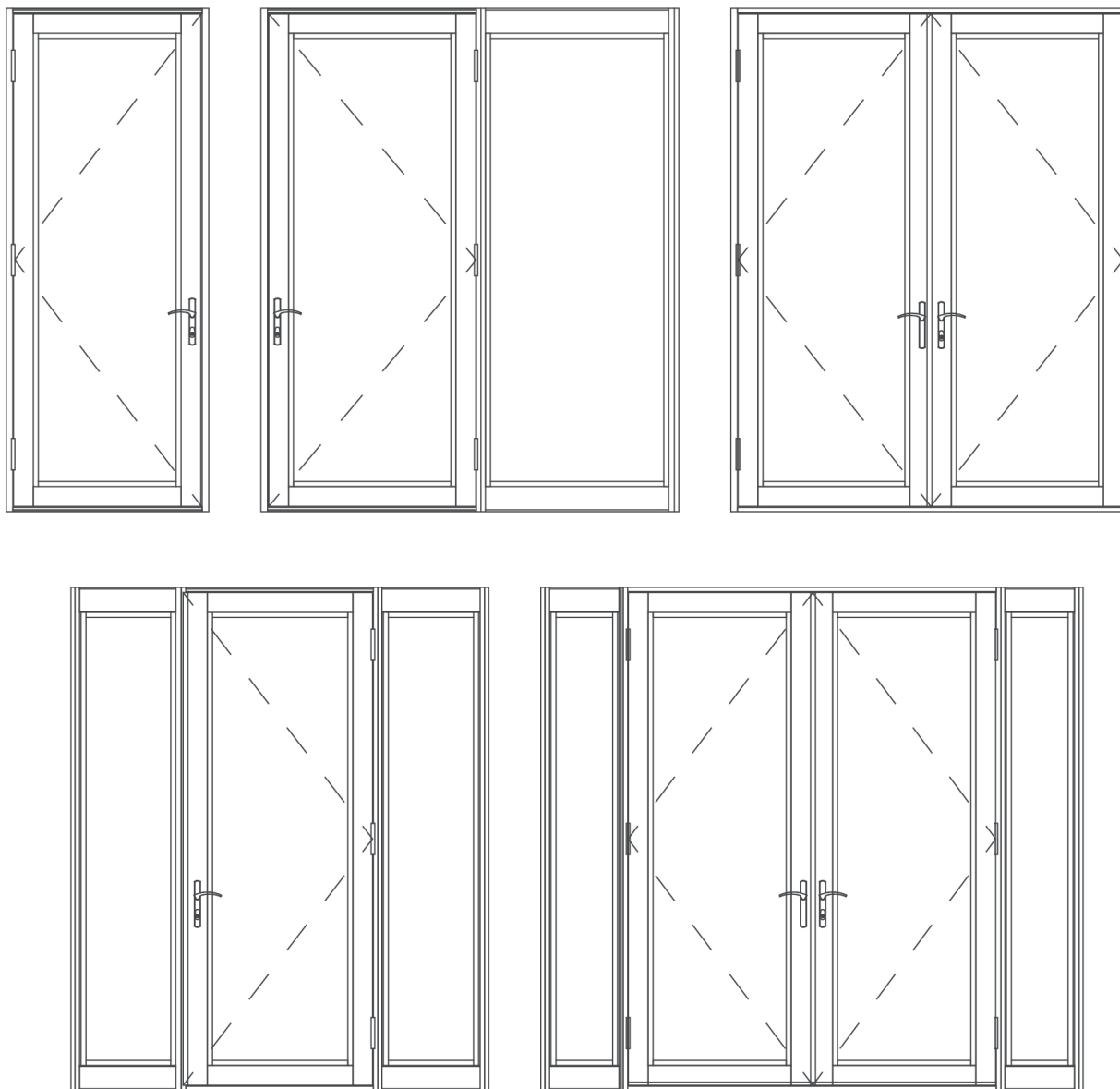


Fig. 6

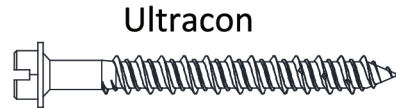




ANCHORS

Anchor options for series MG-3000 include:

- a) In wood structure "2 BY" with 1 1/2" min. penetration into wood.



Ultracon

ø1/4 HEX WASHER HEAD (HWH)
3 1/4" Minimum Length (For 1/4" max. shim space)

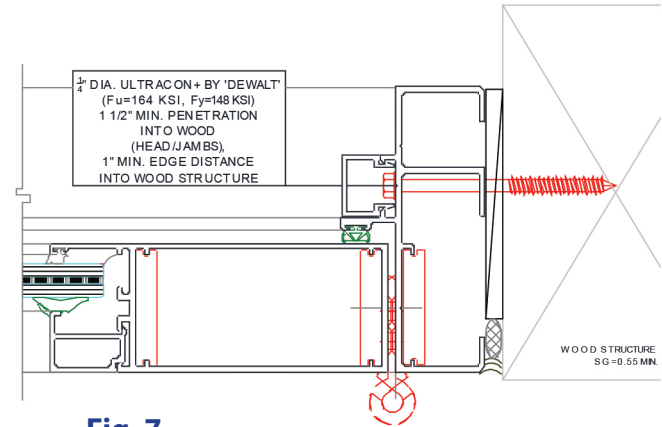
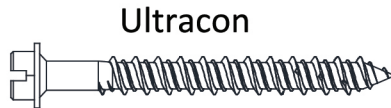


Fig. 7

- b) THRU "1 BY" with 1 3/4" min. embed into concrete.



Ultracon

ø1/4 HEX WASHER HEAD (HWH)
5" Minimum Length (For 1/4" max. shim space)

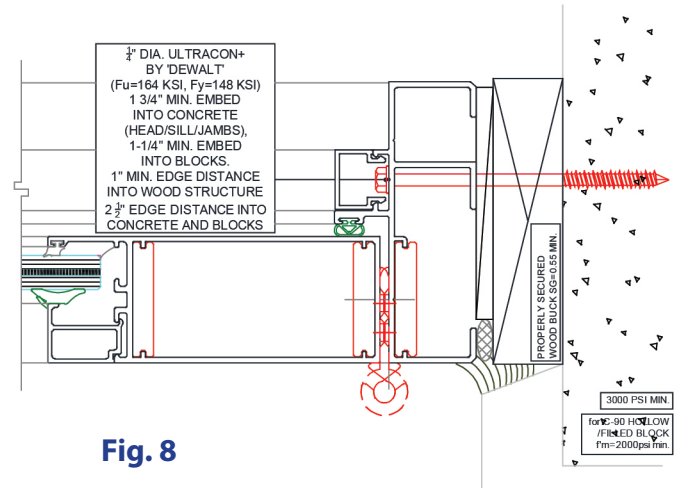


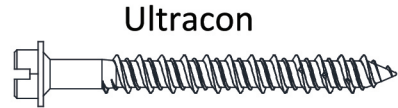
Fig. 8





ANCHORS (Cont.)

c) Into concrete



Ultracon

ø1/4 HEX WASHER HEAD (HWH)
3 3/4" Minimum Length (For 1/4" max. shim space)

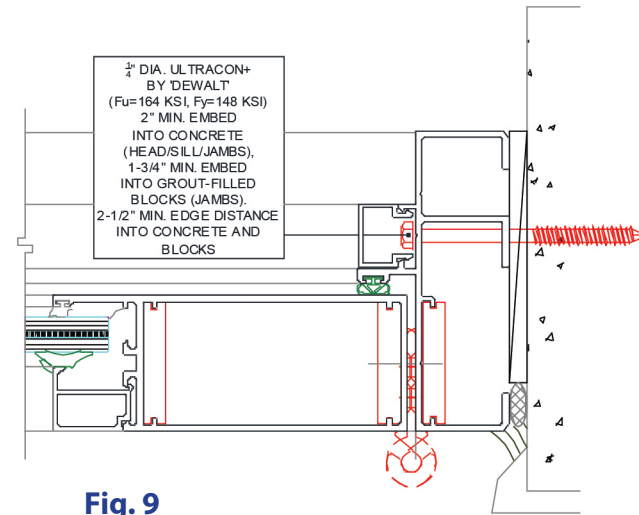
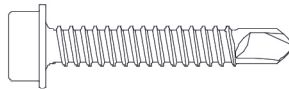


Fig. 9

d) Into Aluminum

Grade 5 CRS



ø1/4 Teks or Self-Drilling
2 1/2" Minimum Length (For 1/4" max. shim space)

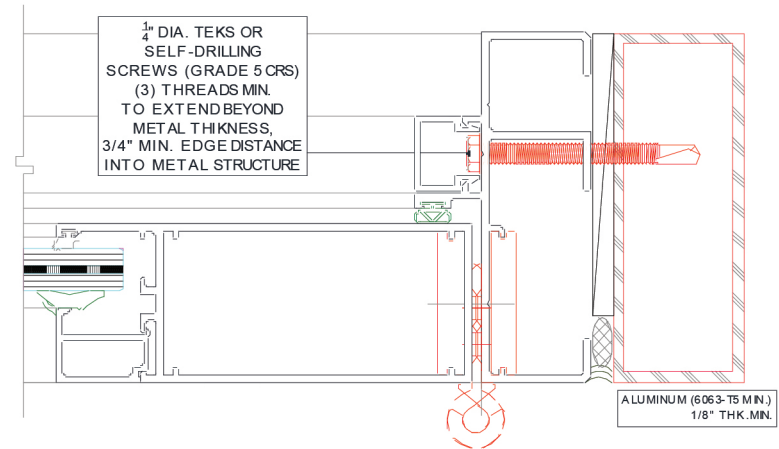


Fig. 10

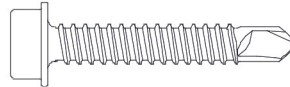




ANCHORS (Cont.)

e) Into Steel

Grade 5 CRS



Ø1/4 Teks or Self-Drilling
2 1/2" Minimum Length (For 1/4" max.
shim space)

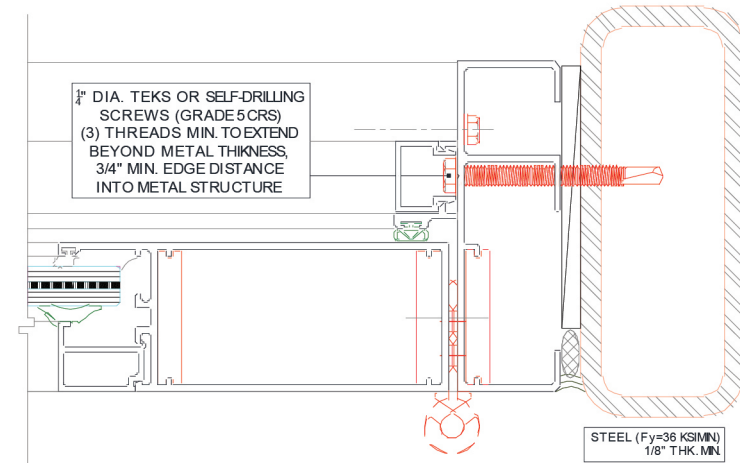


Fig. 11





TYPE OF INSTALLATION

- A. Use the anchor type based on the substrate where the door will be installed. Follow the instructions of the Florida Building Code regarding shimming, edge distance, spacing, etc. Holes for the anchors are pre-drilled (consult F. A. #26942) as well as the previous section for the minimum required length to obtain the required embedment.
- B. Even when the anchors are in a "dry chamber", Mr. Glass recommends injecting silicone in the holes of the sill prior to inserting the anchors, and on top of the head once tightened.

NOTE: Be Carefull to not seal the sill drainage holes.

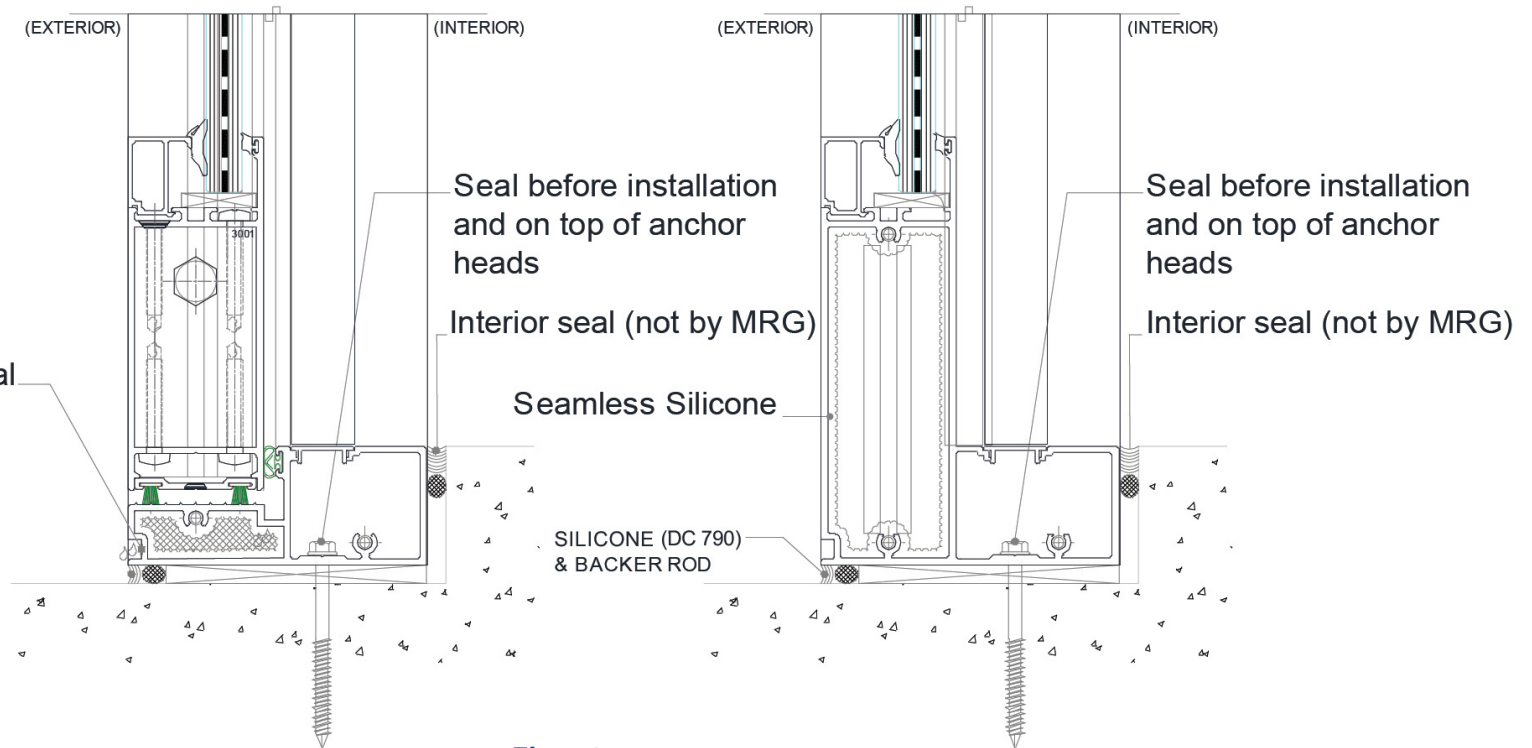


Fig. 12





DOOR INSTALLATION

- A. MG 3000 door with, either one or two leaves, is delivered with the frame and leaves assembled.
- B. The installation is very straightforward, but level and plumb are the most critical. Use and locate shims as required, to obtain a good square and plumb.
- C. Install some anchors to hold the door and verify levels, square and most important that the frame front face is coplanar. When opening and closing the leaves, they should perfectly align with the jams, sill, and head. Make the necessary corrections.
- D. Complete the installation of anchors. Make sure that each anchor is properly shimmed before tightening. This prevents bows and deformation of the extrusions of the frame.
- E. Install the screw covers after the anchor installation is approved by the building official.
- F. When the door is with standard preparation, the dead bolt and latch with lever handle should be installed. A 1/4" standard washer is provided with the lock. This washer will sit, between the backing plate of the locks in the edge of the door, and the locks and will serve to equalize the shield and the door's edge face. **Fig. 13**
- G. Other locks furnished directly by the client should be verified.
- H. The door is adjusted in the factory so that the latch operates closing the door softly. To lock the dead bolt, the active panel needs to be pulled in compressing the gaskets.
- I. For doors with 3PL, see operation on page 13

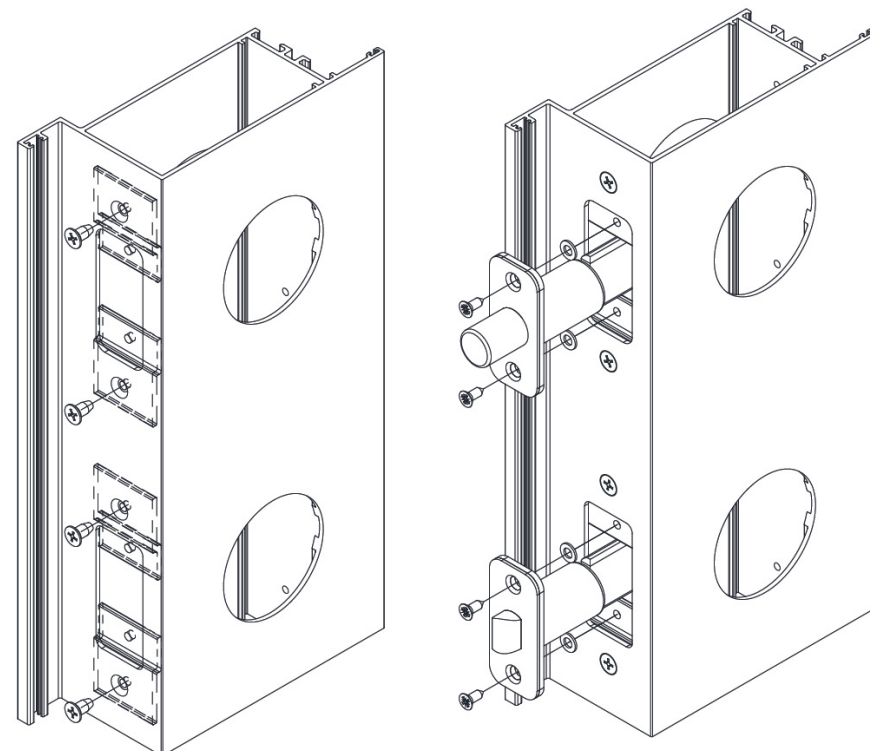


Fig. 13





ASHLAND OPTION

Looking from inside

Passive

- To retract multipoint (top and btm. bolt tips), ensure that the lock of the active panel is "open", push the lever down and release it.
- To throw multipoint (top & bottom bolt tips), lift handle up and release lever.

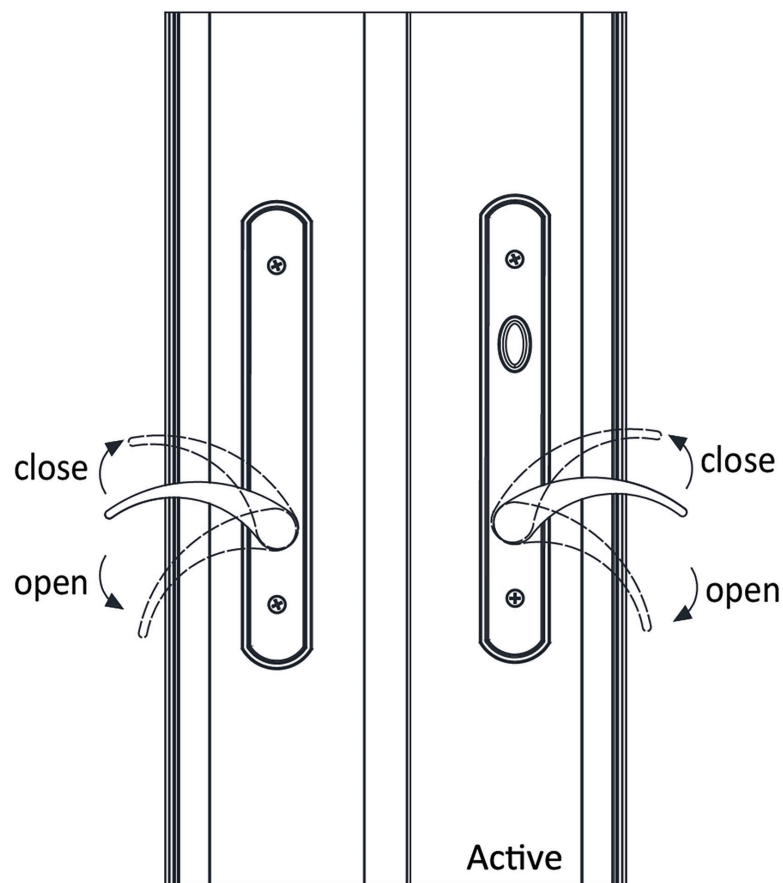


Fig. 14

Active

- To retract multipoint (top and btm. bolt tips), ensure that the lock of the active panel is "open", push the lever down and release it.
- To throw multipoint (top & bottom bolt tips), lift handle up and release lever.
- To lock, turn the key toward the edges of the door.
- To unlock, turn the key away from edge of door.





INTERLOCK OPTION

Looking from inside

Passive

- To retract multipoint (top and btm. bolt tips), ensure that the lock of the active is in the open position and turn the lever down to the vertical position (lever will remain in vertical position after releasing it)
- To throw multipoint (top & bottom bolt tips), lift handle up back to the horizontal position.

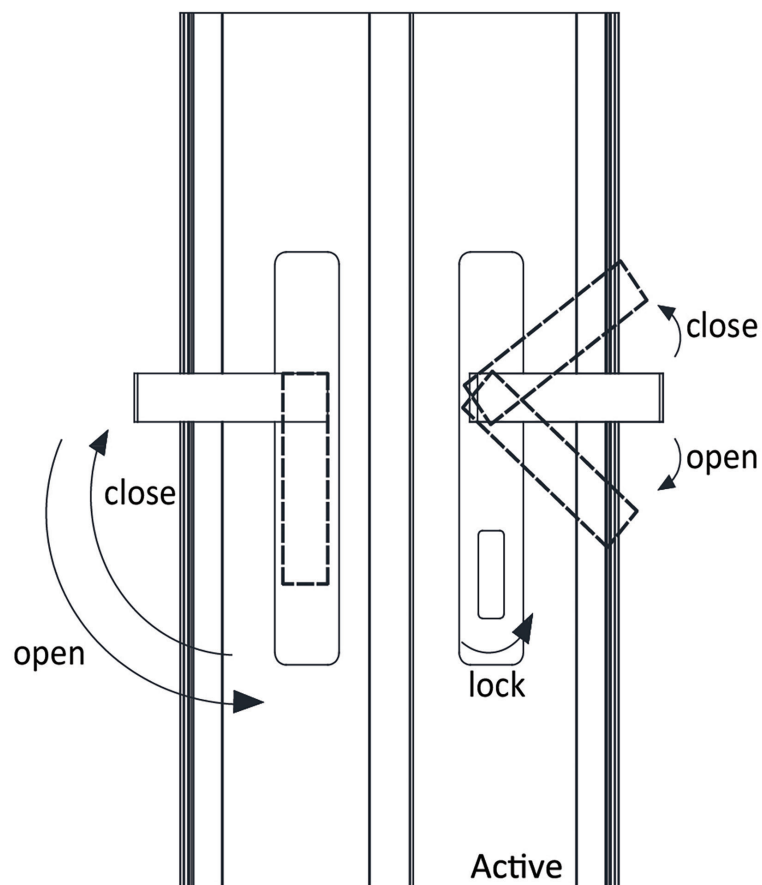


Fig. 15

Active

- To retract multipoint (top and btm. bolt tips), ensure that the lock of the active panel is "open", push the lever down and release it.
- To throw multipoint (top & bottom bolt tips), lift handle up and release lever
- To lock, turn the key towards edge of door
- To unlock, turn the key away from edge of the door.





SIDELITE INSTALLATION

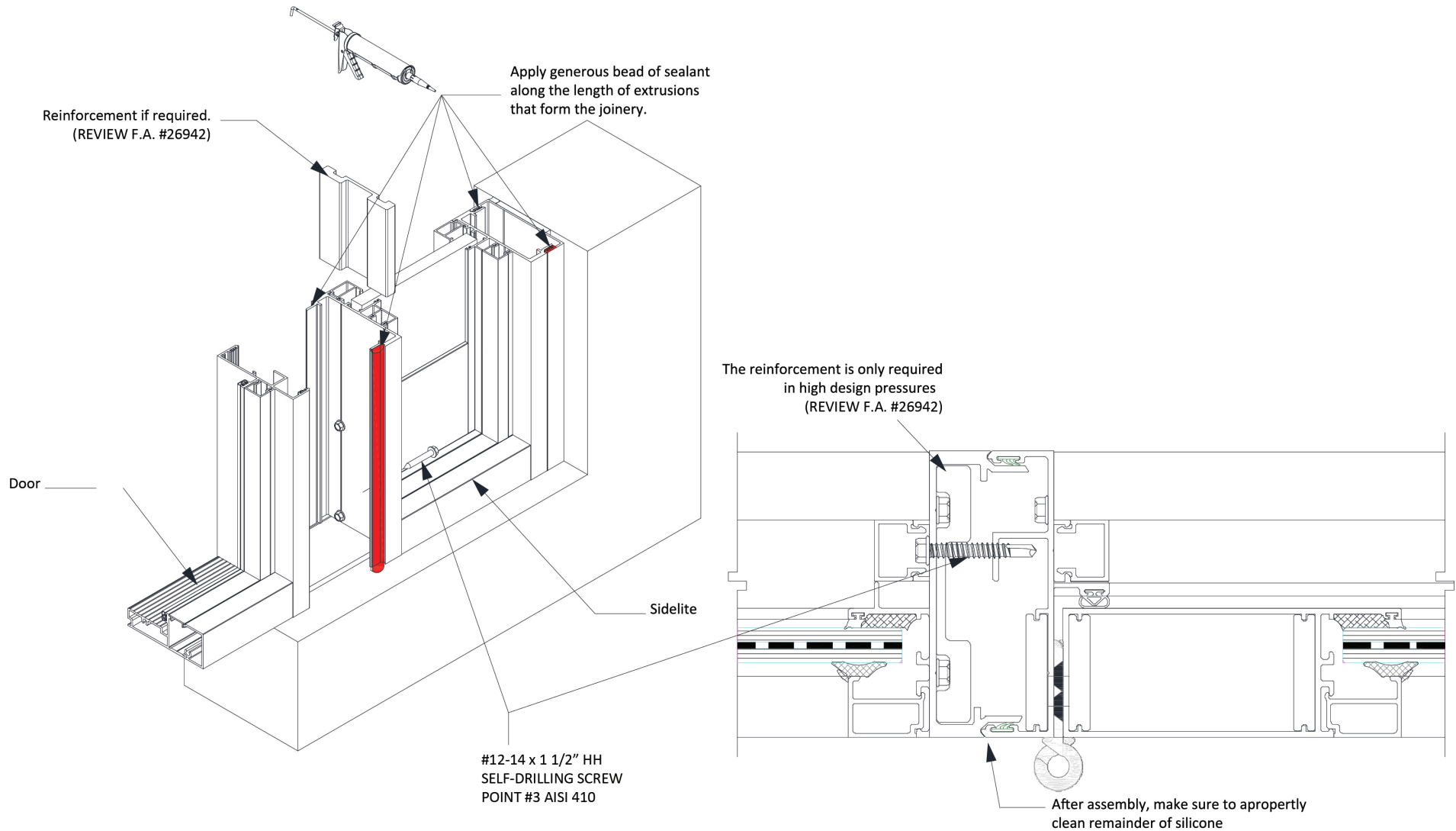


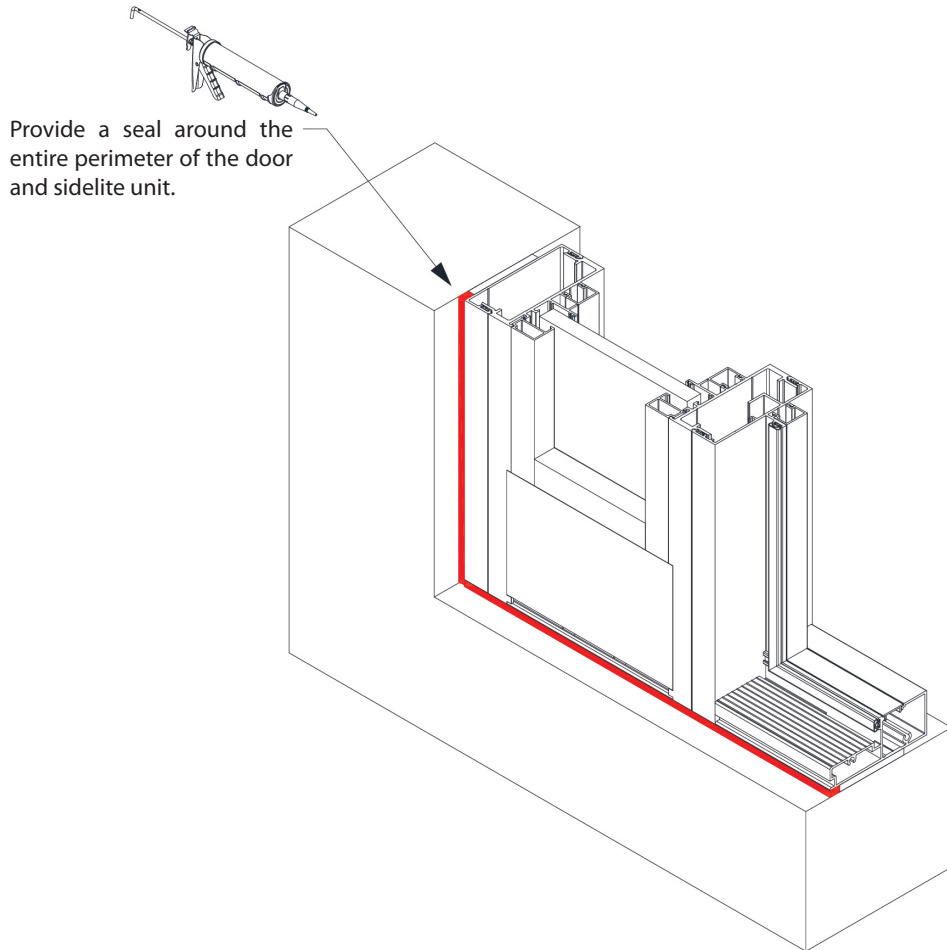
Fig. 16





SEAL

Before applying the sealant, carefully clean the frame from all oil waste or other residue. Leave the perimeter free of all dust from the installation process. Use backer rod if needed.



NOTE: Be Carefull to not seal the sill drainage holes when applying the perimeter seal.

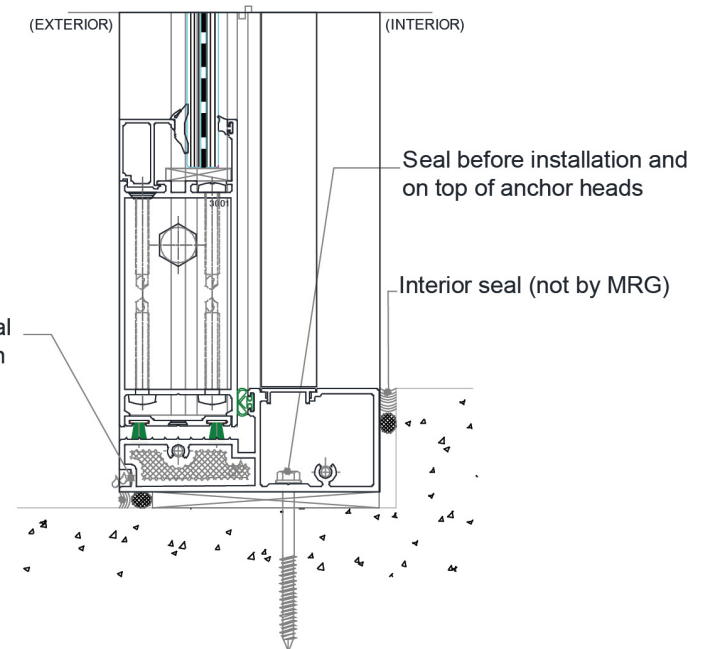


Fig. 17





DOOR CLEANNING

- A. Once the installation is complete, proceed to clean the door. Mr. Glass recommends using water and mild soap or detergent.
- B. Consult Service Bulletin 01-2021 "Maintenance of coated surfaces" and 02-2021 "Glass Cleaning Recommendations".
- C. Do not use sharp objects that may damage the finish in the aluminum or scratch the glass.
- D. Remove all temporary seals and logos.
- E. Clean the work area and dispose of all the packaging residues.

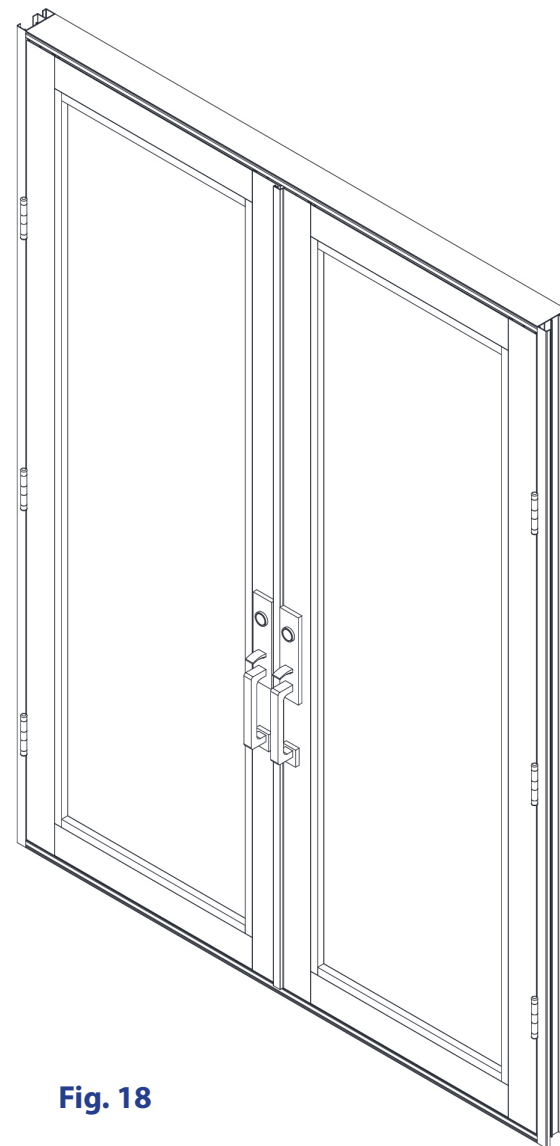


Fig. 18

